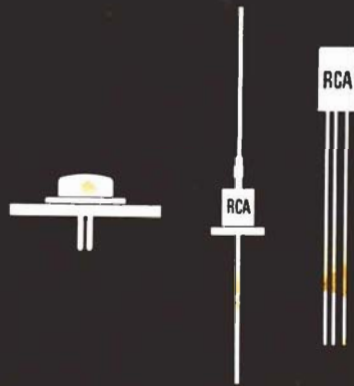


PRICE
30 CENTS



GERMANIUM TRANSISTORS • SILICON
TRANSISTORS • SILICON RECTIFIERS



COMPUTER

MARINE

MILITARY

MOBILE

INDUSTRIAL

RCA SEMICONDUCTOR PRODUCTS

- CHARACTERISTICS
- CIRCUITS
- INTERCHANGEABILITY DIRECTORY



RADIO

TELEVISION



AIRCRAFT




RADIO CORPORATION OF AMERICA
Semiconductor and Materials Division Somerville, N. J.



Trademark(s) Registered
Marco(s) Registrado(s)


Form No. SCD108C
Printed in U.S.A.

RCA SILICON RECTIFIER CHARACTERISTICS














|  TYPE | TYPICAL APPLICATION | GENERAL DATA | | MAXIMUM RATINGS (Absolute-Maximum Values) For supply frequency of 60 cps and with capacitor input to filter | | | | | CHARACTERISTICS | |
|---|---------------------|--------------------|------------------------------------|---|------------------|----------------------------|------------------------|---------|-------------------------|---------------------------------------|
| | | Operating Position | Dimensional Outline see page 22 | Peak Inverse volts | RMS Supply volts | DC Forward Amperes at 75°C | Ambient Temperature °C | | At Maximum PIV and 25°C | At Maximum PIV and 100°C [▲] |
| | | | | | | | Operating | Storage | | |

Types for Television and Radio-Receiver Applications








| | | | | | | | | | | |
|---------------|--------------|-----|---|-----|-----|-----|-----|-------------|-----|------|
| 1N1763 | Power Supply | Any |  | 400 | 140 | 0.5 | 100 | -65 to +150 | 100 | 1000 |
| 1N1764 | Power Supply | Any |  | 500 | 175 | 0.5 | 100 | -65 to +150 | 100 | 1000 |

|  TYPE | TYPICAL APPLICATION | GENERAL DATA | | MAXIMUM RATINGS (Absolute-Maximum Values) For supply frequency of 60 cps and with resistive or inductive load | | | | | CHARACTERISTICS | | |
|---|---------------------|--------------------|------------------------------------|---|------------------|-------------------------|----------|------------------------|-----------------|-------------------------|---------------------------------------|
| | | Operating Position | Dimensional Outline see page 22 | Peak Inverse volts | RMS Supply volts | DC Forward milliamperes | | Ambient Temperature °C | | At Maximum PIV and 25°C | At Maximum PIV and 150°C [▲] |
| | | | | | | at 100°C | at 150°C | Operating | Storage | | |



Types for Industrial and Military Applications

| | | | | | | | | | | | |
|----------------|--------------------|-----|---|-----|-----|-----|-----|-----|-------------|------|-----|
| 1N440-B | Magnetic Amplifier | Any |  | 100 | 70 | 500 | 250 | 165 | -65 to +175 | 0.3 | 100 |
| 1N441-B | Magnetic Amplifier | Any |  | 200 | 140 | 500 | 250 | 165 | -65 to +175 | 0.75 | 100 |
| 1N442-B | Magnetic Amplifier | Any |  | 300 | 210 | 500 | 250 | 165 | -65 to +175 | 1 | 200 |
| 1N443-B | Magnetic Amplifier | Any |  | 400 | 280 | 500 | 250 | 165 | -65 to +175 | 1.5 | 200 |
| 1N444-B | Magnetic Amplifier | Any |  | 500 | 350 | 425 | 0 | 150 | -65 to +175 | 1.75 | 200 |
| 1N445-B | Magnetic Amplifier | Any |  | 600 | 420 | 400 | 0 | 150 | -65 to +175 | 2 | 200 |
| 1N536 | Power Supply | Any |  | 50 | 35 | 500 | 250 | 165 | -65 to +175 | 5 | 400 |
| 1N537 | Power Supply | Any |  | 100 | 70 | 500 | 250 | 165 | -65 to +175 | 5 | 400 |
| 1N538 | Power Supply | Any |  | 200 | 140 | 500 | 250 | 165 | -65 to +175 | 5 | 300 |
| 1N539 | Power Supply | Any |  | 300 | 210 | 500 | 250 | 165 | -65 to +175 | 5 | 300 |
| 1N540 | Power Supply | Any |  | 400 | 280 | 500 | 250 | 165 | -65 to +175 | 5 | 300 |
| 1N547 | Power Supply | Any |  | 600 | 420 | 500 | 250 | 165 | -65 to +175 | 5 | 350 |
| 1N1095 | Power Supply | Any |  | 500 | 350 | 500 | 250 | 165 | -65 to +175 | 5 | 300 |

Types for Industrial and Consumer-Product Applications

| | | | | | | | | | | | |
|---------------|-----------------|-----|---|-----|-----|-----|---|-----|-------------|----|---|
| 1N2858 | General Purpose | Any |  | 50 | 35 | 500 | — | 125 | -65 to +125 | 1* | — |
| 1N2859 | General Purpose | Any |  | 100 | 70 | 500 | — | 125 | -65 to +125 | 1* | — |
| 1N2860 | General Purpose | Any |  | 200 | 140 | 500 | — | 125 | -65 to +125 | 1* | — |
| 1N2861 | General Purpose | Any |  | 300 | 210 | 500 | — | 125 | -65 to +125 | 1* | — |
| 1N2862 | General Purpose | Any |  | 400 | 280 | 500 | — | 125 | -65 to +125 | 1* | — |
| 1N2863 | General Purpose | Any |  | 500 | 350 | 500 | — | 125 | -65 to +125 | 1* | — |
| 1N2864 | General Purpose | Any |  | 600 | 420 | 500 | — | 125 | -65 to +125 | 1* | — |

RCA GERMANIUM COMPENSATING-DIODE CHARACTERISTICS

|  TYPE | TYPICAL APPLICATION | GENERAL DATA | | MAXIMUM RATINGS (Absolute-Maximum Values) | | | | CHARACTERISTICS At an ambient temperature of 25°C | |
|---|--|--------------------|---|--|-------------------------|------------------------|------------|--|--------------------|
| | | Operating Position | Dimensional Outline see page 22 | Reverse volts | DC Forward milliamperes | Ambient Temperature °C | | DC Forward milliamperes | Forward millivolts |
| | | | | | | Operating | Storage | | |
| 1N2326 | Use in Class B circuits to compensate for the effects, on bias, of variations in ambient temperature and supply voltage. | Any |  | -1 | 10 | 71 | -65 to +85 | 2 | 135 |

[▲] Averaged over one complete cycle.

* Typical value.

RCA TRANSISTOR

| TYPE | CLASS OF SERVICE | GENERAL DATA | | | | | MAXIMUM RATINGS (Absolute-Maximum Values) | | | | | | | | TYPICAL OPERATION Ambient Temperature = 25°C | | | |
|--|----------------------------------|---|--|--------------------------------------|--------------------|-------------------------------------|--|--------------------------|-------------------------|-----------------------|---|------|------|--------------------------------|---|-------------------------------|-------------------------|--------------------------------|
| | | Electrical † | | | Mechanical | | DC Collector-to-Base volts | DC Emitter-to-Base volts | DC Collector Current ma | DC Emitter Current ma | Collector Dissipation mw at ambient temperature of: | | | Ambient Storage Temperature °C | Circuit | DC Collector-to-Emitter volts | DC Collector Current ma | Current Transfer Ratio at 1 Kc |
| | | Minimum DC Collector-to-Base volts (BV _{CB0}) | Maximum DC Collector Current μa (ICB0) | Maximum DC Emitter Current μa (IEB0) | Operating Position | Dimensional Outline see pages 20-22 | | | | | 25°C | 55°C | 71°C | | | | | |
| Germanium, p-n-p, Radio-Frequency Types[▲] | | | | | | | | | | | | | | | | | | |
| 2N139 | 455 Kc Amplifier | -16 at I _C = -10 | -6 at V _{CB} = -12 | -12 at V _{EB} = -0.5 | Any | A | -16 | -0.5 | -15 | 15 | 80 | 35 | 10 | -65 to +85 | E E B | -9 -9 -9 | -0.5 -1 -0.5 | 45 48 0.978 |
| 2N140 | 535-1640 Kc Converter | -16 at I _C = -10 | -6 at V _{CB} = -12 | -12 at V _{EB} = -0.5 | Any | A | -16 | -0.5 | -15 | 15 | 80 | 35 | 10 | -65 to +85 | E B | -9 -9 | -0.6 -0.6 | 75 0.987 |
| 2N218 | 455 Kc Amplifier | -16 at I _C = -10 | -6 at V _{CB} = -12 | -12 at V _{EB} = -0.5 | Any | D | -16 | -0.5 | -15 | 15 | 80 | 35 | 10 | -65 to +85 | E E B | -9 -9 -9 | -0.5 -1 -0.5 | 45 48 0.978 |
| 2N219 | 535-1640 Kc Converter | -16 at I _C = -10 | -6 at V _{CB} = -12 | -12 at V _{EB} = -0.5 | Any | D | -16 | -0.5 | -15 | 15 | 80 | 35 | 10 | -65 to +85 | E B | -9 -9 | -0.6 -0.6 | 75 0.987 |
| 2N247 | Drift Type RF Amplifier | -40 at I _C = -50 | -16 at V _{CB} = -30 | -50 at V _{EB} = -0.5 | Any | E | -35 | -0.5 | -10 | 10 | 80 | 50 | 23 | -65 to +85 | E E B | -9 -9 -9 | -1 -1 -1 | 60 60 0.984 |
| 2N274 | Drift Type RF Amplifier | -40 at I _C = -50 | -12 at V _{CB} = -12 | -12 at V _{EB} = -0.5 | Any | J | -40 | -0.5 | -10 | 10 | 120 | 72 | 46 | -65 to +100 | E E B | -12 -12 -12 | -1.5 -1.5 -1.5 | 60 60 0.984 |
| 2N370 | Drift Type RF Amplifier | — | -10 at V _{CB} = -12 | -50 at V _{EB} = -0.5 | Any | E | -24 | -0.5 | -10 | 10 | 80 | 50 | 23 | -65 to +85 | E E E | -12 -12 -12 | -1 -1 -1 | 60 60 60 |
| 2N371 | Drift Type RF Oscillator | — | -10 at V _{CB} = -12 | -50 at V _{EB} = -0.5 | Any | E | -24 | -0.5 | -10 | 10 | 80 | 50 | 23 | -65 to +85 | B | -12 | -1 | 0.984 |
| 2N372 | Drift Type RF Mixer | — | -10 at V _{CB} = -12 | -50 at V _{EB} = -0.5 | Any | E | -24 | -0.5 | -10 | 10 | 80 | 50 | 23 | -65 to +85 | E E E | -12 -12 -12 | -1 -1 -1 | 60 60 60 |
| 2N373 | Drift Type IF Amplifier | -25 at I _C = -50 | -8 at V _{CB} = -12 | -12 at V _{EB} = -0.5 | Any | E | -25 | -0.5 | -10 | 10 | 80 | 50 | 23 | -65 to +85 | E E B | -12 -9 -12 | -1 -1 -1 | 60 60 0.984 |
| 2N374 | Drift Type 535-1640 Kc Converter | -25 at I _C = -50 | -8 at V _{CB} = -12 | -12 at V _{EB} = -0.5 | Any | E | -25 | -0.5 | -10 | 10 | 80 | 50 | 23 | -65 to +85 | E E B | -12 -12 -12 | -0.6 -1 -1 | — 60 0.984 |
| 2N384 | Drift Type VHF Amplifier | -40 at I _C = -50 | -12 at V _{CB} = -12 | -12 at V _{EB} = -0.5 | Any | J | -40 | -0.5 | -10 | 10 | 120 | 72 | 46 | -65 to +100 | E B | -12 -12 | -1.5 -1.5 | 60 0.984 |

† Cutoff Data. Collector-to-Base Voltage and Collector Current values obtained with emitter open at stated dc collector current (μa) or stated dc collector-to-base volts. Emitter Current values obtained with collector open at stated dc emitter-to-base volts. Ambient temperature = 25°C.

▲ Alloy-Junction.

B = Common-Base, Emitter-Input Circuit.
C = Common-Collector, Base-Input Circuit.
E = Common-Emitter, Base-Input Circuit.

CHARACTERISTICS

| TYPICAL OPERATION (Cont'd) Ambient Temperature = 25°C | | | | | CHARACTERISTICS For COMMON-EMITTER CIRCUIT, BASE INPUT at Ambient Temperature = 25°C Small-Signal Hybrid- π Parameters For equivalent circuit, see page 11 | | | | | | | | | | RCA | | TYPE |
|--|-----------------------|--------------------------|--------------------|--------------------|---|---|-----------------------------------|-------------------------------|------------------------|-----------------|-------------------|----------------------|-----------------|---|--|--------------|------|
| Signal Frequency Mc | Input Resistance ohms | Load Resistance ohms | Power Gain | | Alpha-Cutoff Frequency Mc (f_{α}) | DC Collector-to-Emitter volts (V_{CE}) | DC Collector Current ma (I_C) | Resistance ohms ($r_{bb'}$) | Conductance μ mhos | | | Capacitance μ mf | | Intrinsic Transconductance μ mhos (g_m) | Frequency For Unity Power Amplification Mc | | |
| | | | Maximum db | Useful db | | | | | $g_{b'e}$ | g_{ce} | $g_{b'c}$ | $C_{b'e}$ | $C_{b'c}$ | | | | |
| 0.455 0.455 — | 1000 500 — | 70000 30000 — | 38.8 37.8 — | 28.4 31.2 — | — — 6.8 | —9 —9 — | —0.5 —1 — | 85 75 — | 425 800 — | 4.6 8.6 — | 0.22 0.25 — | 540 1100 — | 9.5 9.5 — | 19300 38600 — | 13 14 — | 2N139 | |
| 1 — — | 700 — — | 75000 — — | — — — | 32 — — | — — 10 | —9 — — | —0.6 — — | 85 — — | 480 — — | 5.4 — — | 0.23 — — | 650 — — | 9.5 — — | 22600 — — | 16.5 — — | 2N140 | |
| 0.455 0.455 — | 1000 500 — | 70000 30000 — | 38.8 37.8 — | 28.4 31.2 — | — — 6.8 | —9 —9 — | —0.5 —1 — | 85 75 — | 425 800 — | 4.6 8.6 — | 0.22 0.25 — | 540 1100 — | 9.5 9.5 — | 19300 38600 — | 13 14 — | 2N218 | |
| 1 — — | 700 — — | 75000 — — | — — — | 32 — — | — — 10 | —9 — — | —0.6 — — | 85 — — | 480 — — | 5.4 — — | 0.23 — — | 650 — — | 9.5 — — | 22600 — — | 16.5 — — | 2N219 | |
| 1.5 10.7 — | 1350 170 — | 70000 4500 — | 45 24 — | 37 — — | — — 30 | —9 — — | —1 — — | 40 — — | 640 — — | — — — | — — — | 200 — — | 1.7 — — | 37000 — — | 132 — — | 2N247 | |
| 1.5 12.5 — | 1350 150 — | 70000 4000 — | 50 27 — | 45 22 — | — — 30 | —12 — — | —1.5 — — | 40 — — | 640 — — | — — — | — — — | 200 — — | 1.7 — — | 37000 — — | 132 — — | 2N274 | |
| 1.5 10 20 | 1750 200 100 | 180000 18000 11000 | 50.5 26.2 17 | 31 17.6 12.5 | — — — | Interlead Capacitance between base lead and collector lead is 0.03 μ mf with leads cut to $\frac{5}{16}$ " and interlead shield grounded. | | | | | | | | | 132 | 2N370 | |
| — — — | — — — | — — — | — — — | — — — | 30 | Interlead Capacitance between base lead and collector lead is 0.03 μ mf with leads cut to $\frac{5}{16}$ " and interlead shield grounded. | | | | | | | | | 132 | 2N371 | |
| 1.5 10 20 | 1750 200 100 | 180000 18000 11000 | 50.5 26.2 17 | 31 17.6 12.5 | — — — | Interlead Capacitance between base lead and collector lead is 0.03 μ mf with leads cut to $\frac{5}{16}$ " and interlead shield grounded. | | | | | | | | | 132 | 2N372 | |
| 0.455 0.455 — | 2200 1600 — | 660000 500000 — | 57 54.5 — | 37.5 36.5 — | — — 30 | Interlead Capacitance between base lead and collector lead is 0.03 μ mf with leads cut to $\frac{5}{16}$ " and interlead shield grounded. | | | | | | | | | 132 | 2N373 | |
| 1 — — | 2600 — — | 1000000 — — | — — — | 40 — — | — — 30 | Interlead Capacitance between base lead and collector lead is 0.03 μ mf with leads cut to $\frac{5}{16}$ " and interlead shield grounded. | | | | | | | | | 132 | 2N374 | |
| 12.5 50 | 250 30 | 16000 5000 | 32 21 | 28 18 | — 100 | —12 — | —1.5 — | 50 — | 960 — | — — | — — | 90 — | 1.3 — | 56800 — | 250 — | 2N384 | |

▲ Alloy-Junction.

‡ This frequency (figure of merit) may be calculated from the equation: $f = \frac{1}{4\pi} \sqrt{\frac{g_m}{r_{bb'} C_{b'e} C_{b'c}}}$

Information furnished by RCA is believed to be accurate and reliable. However, no responsibility is assumed by RCA for its use; nor for any infringements of patents or other rights of third parties which may result from its use. No license is granted by implication or otherwise under any patent or patent rights of RCA.

RCA TRANSISTOR


| TYPE | CLASS OF SERVICE | GENERAL DATA | | | | | MAXIMUM RATINGS (Absolute-Maximum Values) | | | | | | | | TYPICAL OPERATION Ambient Temperature = 25°C | | | | | |
|---------------|----------------------------------|---|---|---|------------|------|--|-------------------------------------|----------------------------|--------------------------|-------------------------|-----------------------|---|-------------|---|--------------------------------|--------------------|-------------------------------|-------------------------|----------------------------------|
| | | Electrical † | | | Mechanical | | Operating Position | Dimensional Outline see pages 20-22 | DC Collector-to-Base volts | DC Emitter-to-Base volts | DC Collector Current ma | DC Emitter Current ma | Collector Dissipation mw at ambient temperature of: | | | Ambient Storage Temperature °C | Circuit | DC Collector-to-Emitter volts | DC Collector Current ma | Current Transistor Ratio at 1 Kc |
| | | Minimum DC Collector-to-Base volts (BV _{CB0}) | Maximum DC Collector Current μa (IC _{BO}) | Maximum DC Emitter Current μa (IE _{BO}) | 25°C | 55°C | | | | | | | 71°C | | | | | | | |
| 2N409 | 455 Kc Amplifier | -13 at I _C = -10 | -10 at V _{CB} = -12 | -12 at V _{EB} = -0.5 | Any | A | -13 | -0.5 | -15 | 15 | 80 | 35 | 10 | -65 to +85 | E E B | -9 -9 +9 | -0.5 -1 -0.5 | 45 48 0.978 | | |
| 2N410 | 455 Kc Amplifier | -13 at I _C = -10 | -10 at V _{CB} = -12 | -12 at V _{EB} = -0.5 | Any | D | -13 | -0.5 | -15 | 15 | 80 | 35 | 10 | -65 to +85 | E E B | -9 -9 -9 | -0.5 -1 -0.5 | 45 48 0.978 | | |
| 2N411 | 535-1640 Kc Converter | -13 at I _C = -10 | -10 at V _{CB} = -12 | -12 at V _{EB} = -0.5 | Any | A | -13 | -0.5 | -15 | 15 | 80 | 35 | 10 | -65 to +85 | E B | -9 -9 | -0.6 -0.6 | 75 0.987 | | |
| 2N412 | 535-1640 Kc Converter | -13 at I _C = -10 | -10 at V _{CB} = -12 | -12 at V _{EB} = -0.5 | Any | D | -13 | -0.5 | -15 | 15 | 80 | 35 | 10 | -65 to +85 | E B | -9 -9 | -0.6 -0.6 | 75 0.987 | | |
| 2N544 | Drift Type RF Amplifier | -24 at I _C = -50 | -16 at V _{CB} = -12 | -16 at V _{EB} = -0.5 | Any | E | -24 | -0.5 | -10 | 10 | 80 | 50 | 35 | -65 to +85 | E E B | -12 -12 -12 | -0.5 -1 -1 | — 60 0.984 | | |
| 2N640 | Drift Type RF Amplifier | -34 at I _C = -50 | -5 at V _{CB} = -12 | -8 at V _{EB} = -1 | Any | E | -34 | -1 | -10 | 10 | 80 | 50 | 35 | -65 to +85 | E E B | -12 -12 -12 | -1 -0.5 -1 | 60 50 0.984 | | |
| 2N641 | Drift Type IF Amplifier | -34 at I _C = -50 | -7 at V _{CB} = -12 | -8 at V _{EB} = -1 | Any | E | -34 | -1 | -10 | 10 | 80 | 50 | 35 | -65 to +85 | E E B | -12 -12 -12 | -1 -0.5 -1 | 60 50 0.984 | | |
| 2N642 | Drift Type 535-1640 Kc Converter | -34 at I _C = -50 | -7 at V _{CB} = -12 | -8 at V _{EB} = -1 | Any | E | -34 | -1 | -10 | 10 | 80 | 50 | 35 | -65 to +85 | E E B | -12 -12 -12 | -0.6 -1 -1 | — 60 0.984 | | |
| 2N1023 | Drift Type RF Amplifier | -40 at I _C = -50 | -12 at V _{CB} = -12 | -12 at V _{EB} = -0.5 | Any | J | -40 | -0.5 | -10 | 10 | 120 | 72 | 46 | -65 to +100 | E B | -12 -12 | -1.5 -1.5 | 60 0.984 | | |
| 2N1066 | Drift Type RF Amplifier | -40 at I _C = -50 | -12 at I _C = -50 | -12 at V _{EB} = -0.5 | Any | I | -40 | -0.5 | -10 | 10 | 120 | 72 | 46 | -65 to +100 | E B | -12 -12 | -1.5 -1.5 | 60 0.984 | | |
| 2N1224 | Drift Type VHF Amplifier | -40 at I _C = -50 | -12 at V _{CB} = -12 | -12 at V _{EB} = -0.5 | Any | I | -40 | -0.5 | -10 | 10 | 120 | 72 | 46 | -65 to +85 | E B | -12 -12 | -1.5 -1.5 | 60 0.984 | | |
| 2N1225 | Drift Type RF Amplifier | -40 at I _C = -50 | -12 at V _{CB} = -12 | -12 at V _{EB} = -0.5 | Any | I | -40 | -0.5 | -10 | 10 | 120 | 72 | 46 | -65 to +85 | E B | -12 -12 | -1.5 -1.5 | 60 0.984 | | |

† Cutoff Data. Collector-to-Base Voltage and Collector Current values obtained with emitter open at stated dc collector current (μa) or stated dc collector-to-base volts. Emitter Current values obtained with collector open at stated dc emitter-to-base volts. Ambient temperature = 25°C.

▲ Alloy-Junction.

B = Common-Base, Emitter-Input Circuit.
 C = Common-Collector, Base-Input Circuit.
 E = Common-Emitter, Base-Input Circuit.

CHARACTERISTICS

| TYPICAL OPERATION (Cont'd) Ambient Temperature = 25°C | | | | | CHARACTERISTICS For COMMON-EMITTER CIRCUIT, BASE INPUT at Ambient Temperature = 25°C Small-Signal Hybrid- π Parameters For equivalent circuit, see page 11 | | | | | | | | | | |  TYPE |
|--|--------------------------|-------------------------|-------------------|-------------------|---|---|---|-------------------------------------|--------------------------|------------|--------------|---------------------------|------------|--|---|--|
| Power Gain | | | | | Alpha-Cutoff Frequency Mc (f_{α}) | DC Collector-to-Emitter volts (V_{CE}) | DC Collector Current ma (I_C) | Resistance ohms ($r_{bb'}$) | Conductance μ mes | | | Capacitance $\mu\mu$ f | | Intrinsic Transconductance μ mos (g_m) | Frequency For Unity Power Amplification Mc | |
| Signal Frequency Mc | Input Resistance ohms | Load Resistance ohms | Power Gain | | | | | | $g_{b'e}$ | $g_{c'e}$ | $g_{b'c}$ | $C_{b'e}$ | $C_{b'c}$ | | | |
| | | | Maximum db | Useful db | Germanium p-n-p, Radio-Frequency Types[^] (Continued) | | | | | | | | | | | |
| 0.455 0.455 — | 1000 500 — | 70000 30000 — | 38.8 37.8 — | 28.4 31.2 — | — — 6.8 | —9 —9 | —0.5 —1 | 85 75 | 425 800 | 4.6 8.6 | 0.22 0.25 | 540 1100 | 9.5 9.5 | 19300 38600 | 13 14 | 2N409 |
| 0.455 0.455 — | 1000 500 — | 70000 30000 — | 38.8 37.8 — | 28.4 31.2 — | — — 6.8 | —9 —9 | —0.5 —1 | 85 75 | 425 800 | 4.6 9.6 | 0.22 0.25 | 540 1100 | 9.5 9.5 | 19300 38600 | 13 14 | 2N410 |
| 1 — | 700 — | 75000 — | — — | 32 — | — 10 | —9 | —0.6 | 85 | 480 | 5.4 | 0.23 | 650 | 9.5 | 22600 | 16.5 | 2N411 |
| 1 — | 700 — | 75000 — | — — | 32 — | — 10 | —9 | —0.6 | 85 | 480 | 5.4 | 0.23 | 650 | 9.5 | 22600 | 16.5 | 2N412 |
| 1.5 — — | 2100 — — | 280000 — — | 47.3 — — | 30.4 — — | — — 30 | Interlead Capacitance between base lead and collector lead is 0.03 $\mu\mu$ f with leads cut to $\frac{5}{16}$ " and interlead shield grounded. | | | | | | | | | 132 | 2N544 |
| 1.5 1.5 — | 1000 2000 — | 180000 280000 — | 47.5 47 — | 28 25 — | — — 42 | Interlead Capacitance between base lead and collector lead is 0.03 $\mu\mu$ f with leads cut to $\frac{5}{16}$ " and interlead shield grounded. | | | | | | | | | — | 2N640 |
| 0.455 0.262 — | 2200 3700 — | 660000 3000000 — | 54.5 58 — | 40 38 — | — — 42 | Interlead Capacitance between base lead and collector lead is 0.03 $\mu\mu$ f with leads cut to $\frac{5}{16}$ " and interlead shield grounded. | | | | | | | | | — | 2N641 |
| 1 — — | 2600 — — | 1000000 — — | — — — | 40 — — | — — 42 | Interlead Capacitance between base lead and collector lead is 0.03 $\mu\mu$ f with leads cut to $\frac{5}{16}$ " and interlead shield grounded. | | | | | | | | | — | 2N642 |
| 30 50 | 100 25 | 8000 8000 | 26 24 | 23 21 | — 120 | Thermal Resistance (R_T) between junction and case = 0.31 °C/mw Thermal Resistance (R_T) between junction and free air = 0.62 °C/mw | | | | | | | | | | 2N1023 |
| 30 50 | 100 25 | 8000 8000 | 26 24 | 23 21 | — 120 | Thermal Resistance (R_T) between junction and case = 0.31 °C/mw Thermal Resistance (R_T) between junction and free air = 0.62 °C/mw | | | | | | | | | | 2N1066 |
| 1.5 12.5 | 1350 150 | 70000 4000 | 50 27 | — — | 30 | —12 | —1.5 | 40 | 640 | — | — | 200 | 1.7 | 37000 | 132 | 2N1224 |
| 12.5 30 | 250 50 | 16000 5000 | 32 24 | — — | 100 | —12 | —1.5 | 50 | 960 | — | — | 90 | 1.3 | 56800 | 250 | 2N1225 |

[^] Alloy-Junction.

‡ This frequency (figure of merit) may be calculated from the equation:

$$f = \frac{1}{4\pi} \sqrt{\frac{g_m}{r_{bb'} C_{b'e} C_{b'c}}}$$

RCA TRANSISTOR

| TYPE | CLASS OF SERVICE | GENERAL DATA | | | | | MAXIMUM RATINGS (Absolute-Maximum Values) | | | | | | | TYPICAL OPERATION Ambient Temperature = 25°C | | | | |
|-----------------|-------------------------|---|---|---|--------------------|-------------------------------------|---|--------------------------|-------------------------|-----------------------|---|------|------|--|---------|-------------------------------|-------------------------|--------------------------------|
| | | Electrical ♦ | | | Mechanical | | DC Collector-to-Base volts | DC Emitter-to-Base volts | DC Collector Current ma | DC Emitter Current ma | Collector Dissipation mw at ambient temperature of: | | | Ambient Storage Temperature °C | Circuit | DC Collector-to-Emitter volts | DC Collector Current ma | Current Transfer Ratio at 1 Kc |
| | | Minimum DC Collector-to-Base volts (BV _{CB0}) | Maximum DC Collector Current μa (IC _{BO}) | Maximum DC Emitter Current μa (IE _{BO}) | Operating Position | Dimensional Outline see pages 20-22 | | | | | 25°C | 55°C | 71°C | | | | | |

Germanium, p-n-p, Radio-Frequency Types[▲] (Continued)

| | | | | | | | | | | | | | | | | | | |
|---------------|--|-----------------------------------|------------------------------------|-------------------------------------|-----|---|-----|------|-----|----|-----|----|----|-------------------|-------------|-------------------|----------------------|---------------|
| 2N1226 | <i>Drift Type</i> RF Amplifier | -60 at I _C = -50 | -12 at V _{CB} = -12 | -12 at V _{EB} = -0.5 | Any | Ⓛ | -60 | -0.5 | -10 | 10 | 120 | 72 | 46 | -65 to +85 | E B | -12 -12 | -1.5 -1.5 | 60 0.984 |
| 2N1395 | <i>Drift Type</i> RF Amplifier | -40 at I _C = -50 | -12 at V _{CB} = -12 | -12 at V _{EB} = -0.5 | Any | Ⓛ | -40 | -0.5 | -10 | 10 | 120 | 72 | 46 | -65 to +100 | E E B | -12 -12 -12 | -1.5 -1.5 -1.5 | 90 90 — |
| 2N1396 | <i>Drift Type</i> RF Amplifier | -40 at I _C = -50 | -12 at V _{CB} = -12 | -12 at V _{EB} = -0.5 | Any | Ⓛ | -40 | -0.5 | -10 | 10 | 120 | 72 | 46 | -65 to +100 | E E B | -12 -12 -12 | -1.5 -1.5 -1.5 | 90 90 — |
| 2N1397 | <i>Drift Type</i> RF Amplifier | -40 at I _C = -50 | -12 at V _{CB} = -12 | -12 at V _{EB} = -0.5 | Any | Ⓛ | -40 | -0.5 | -10 | 10 | 120 | 72 | 46 | -65 to +100 | E B | -12 -12 | -1.5 -1.5 | 90 — |
| 2N1425 | <i>Drift Type</i> 455-Kc Amplifier | — | -16 at V _{CB} = -12 | -16 at V _{EB} = -0.5 | Any | ⓔ | -24 | -0.5 | -10 | 10 | 80 | 50 | 23 | -65 to +85 | E E E | -12 -9 -6 | — -1 -1 | — — — |
| 2N1426 | <i>Drift Type</i> 535-1640 Kc Converter | — | -16 at V _{CB} = -12 | -16 at V _{EB} = -0.5 | Any | ⓔ | -24 | -0.5 | -10 | 10 | 80 | 50 | 23 | -65 to +85 | E E B | -9 -12 -12 | -0.65 -1 -1 | — 100 — |

Germanium, p-n-p, Radio-Frequency Types[▲] For FM and AM/FM Applications

| | | | | | | | | | | | | | | | | | | |
|---------------|------------------------------------|-----------------------------------|------------------------------------|-------------------------------------|-----|---|-----|------|-----|----|----|----|----|------------------|--------|------------|--------------|--------------|
| 2N1177 | <i>Drift Type</i> RF Amplifier | -30 at I _C = -50 | -12 at V _{CB} = -12 | -12 at V _{EB} = -1 | Any | Ⓚ | -30 | -1 | -10 | 10 | 80 | 50 | 23 | -65 to +85 | E B | -12 -12 | -1.5 -1.5 | 100 0.990 |
| 2N1178 | <i>Drift Type</i> RF Oscillator | -30 at I _C = -50 | -12 at V _{CB} = -12 | -12 at V _{EB} = -1 | Any | Ⓚ | -30 | -1 | -10 | 10 | 80 | 50 | 23 | -65 to +85 | E B | -12 -12 | -1.5 -1.5 | 90 0.976 |
| 2N1179 | <i>Drift Type</i> RF Mixer | -30 at I _C = -50 | -12 at V _{CB} = -12 | -12 at V _{EB} = -1 | Any | Ⓚ | -30 | -1 | -10 | 10 | 80 | 50 | 23 | -65 to +85 | E B | -12 -12 | -1.5 -0.8 | 80 0.988 |
| 2N1180 | <i>Drift Type</i> IF Amplifier | -30 at I _C = -50 | -12 at V _{CB} = -12 | -12 at V _{EB} = -0.5 | Any | Ⓚ | -30 | -0.5 | -10 | 10 | 80 | 50 | 23 | -65 to +85 | E B | -12 -12 | -1.5 -1.5 | 80 0.988 |

♦ Cutoff Data. Collector-to-Base Voltage and Collector Current values obtained with emitter open at stated dc collector current (μa) or stated dc collector-to-base volts. Emitter Current values obtained with collector open at stated dc emitter-to-base volts. Ambient temperature = 25°C.

▲ Alloy-Junction.
 B = Common-Base, Emitter-Input Circuit.
 C = Common-Collector, Base-Input Circuit.
 E = Common-Emitter, Base-Input Circuit.

CHARACTERISTICS

| TYPICAL OPERATION (Cont'd) Ambient Temperature = 25°C | | | | | CHARACTERISTICS For COMMON-EMITTER CIRCUIT, BASE INPUT at Ambient Temperature = 25°C Small-Signal Hybrid- π Parameters For equivalent circuit, see page 11 | | | | | | | | | | | RCA TYPE |
|--|-----------------------|-----------------------|-----------------|--|---|---|-------------------------------|------------------------|----------|-----------|------------------------|-----------|---|--|---------------|-----------------|
| Power Gain | | | | Alpha-Cutoff Frequency Mc (α_b) | DC Collector-to-Emitter volts (V_{CE}) | DC Collector Current ma (Ic) | Resistance ohms ($r_{bb'}$) | Conductance μ mhos | | | Capacitance $\mu\mu$ f | | Intrinsic Transconductance μ mhos (g_m) | Frequency For Unity Power Amplification † Mc | | |
| Signal Frequency Mc | Input Resistance ohms | Load Resistance ohms | Power Gain | | | | | $g_{b'e}$ | g_{ce} | $g_{b'c}$ | $C_{b'e}$ | $C_{b'c}$ | | | | |
| | | | Maximum db | Useful db | | | | | | | | | | | | |
| Germanium, p-n-p, Radio-Frequency Types[^] (Continued) | | | | | | | | | | | | | | | | |
| 1.5 12.5 | 1350 150 | 70000 4000 | 50 27 | — — | 30 | -12 | -1.5 | 40 | 640 | — | — | 200 | 1.7 | 37000 | 132 | 2N1226 |
| 12.5 1.5 | 150 1350 | 4000 7000 | 27 50 | — — | — 30 | Thermal Resistance (R_T) between junction and case = 0.31 °C/mw Thermal Resistance (R_T) between junction and free air = 0.62 °C/mw | | | | | | | | | 2N1395 | |
| 12.5 30 50 | 250 50 30 | 16000 5000 5000 | 32 24 21 | — — — | — — 100 | Thermal Resistance (R_T) between junction and case = 0.31 °C/mw Thermal Resistance (R_T) between junction and free air = 0.62 °C/mw | | | | | | | | | 2N1396 | |
| 30 50 | 100 25 | 8000 8000 | 26 24 | — — | — 120 | Thermal Resistance (R_T) between junction and case = 0.31 °C/mw Thermal Resistance (R_T) between junction and free air = 0.62 °C/mw | | | | | | | | | 2N1397 | |
| — 0.455 0.455 | — 1350 1300 | — 415000 310000 | — 52.4 51 | — 34 33.8 | 30 — — | Interlead Capacitance between base lead and collector lead is 0.03 $\mu\mu$ f with leads cut to $\frac{5}{16}$ " and interlead shield grounded. | | | | | | | | | 2N1425 | |
| 1.5 — — | 1800 — — | 270000 — — | 45.5 — — | 33.3 — — | — — — | Interlead Capacitance between base lead and collector lead is 0.03 $\mu\mu$ f with leads cut to $\frac{5}{16}$ " and interlead shield grounded. | | | | | | | | | 2N1426 | |
| Germanium, p-n-p, Radio-Frequency Types[^] For FM and AM/FM Applications | | | | | | | | | | | | | | | | |
| — 100 | — 45 | — 3800 | — 15 | — — | — 140 | For use in FM and AM/FM receivers and tuners. | | | | | | | | | 2N1177 | |
| — — | — — | — — | — — | — — | — 140 | For use in FM and AM/FM receivers and tuners. | | | | | | | | | 2N1178 | |
| — 100 | — 40 | — 90000 | — 17 | — — | — 140 | For use in FM and AM/FM receivers and tuners. | | | | | | | | | 2N1179 | |
| 10.7 — | 325 — | 24000 — | 35 — | 23 — | — 100 | For use in FM and AM/FM receivers and tuners. | | | | | | | | | 2N1180 | |

[^] Alloy-Junction.

† This frequency (figure of merit) may be calculated from the equation:

$$f = \frac{1}{4\pi} \sqrt{\frac{g_m}{r_{bb'} C_{b'e} C_{b'c}}}$$

RCA TRANSISTOR

| RCA TYPE | CLASS OF SERVICE | GENERAL DATA | | | | | MAXIMUM RATINGS (Absolute-Maximum Values) | | | | | | | | TYPICAL OPERATION Ambient Temperature = 25°C | | | |
|--|--------------------------------|--|---|---|--------------------|-------------------------------------|--|----------------------------|---------------------------|-------------------------|--|------|------|--------------------------------|---|----------------------------------|--------------------------------------|---------------------------------|
| | | Electrical † | | | Mechanical | | Peak Collector-to-Base volts | Peak Emitter-to-Base volts | Peak Collector Current ma | Peak Emitter Current ma | Transistor Dissipation mw at ambient temperature of: | | | Ambient Storage Temperature °C | Circuit | DC Collector-to-Emitter volts | DC Collector Current ma | Current Transfer Ratio at 1 Kc |
| | | Minimum DC Collector-to-Base volts (V _{CB0}) | Maximum DC Collector Current μa (I _{CB0}) | Maximum DC Emitter Current μa (I _{EB0}) | Operating Position | Dimensional Outline see pages 20-22 | | | | | 25°C | 55°C | 71°C | | | | | |
| Germanium, n-p-n, Large-Signal, Audio-Frequency Types[^] | | | | | | | | | | | | | | | | | | |
| 2N647 | AF Amplifier | — | 14 at V _{CB} =25 | 14 at V _{EB} =12 | Any | D | 25 | 12 | 100 | -100 | 100 | 50 | 20 | -65 to +85 | E | 1 | 50 | 70 |
| 2N649 | AF Amplifier | — | 14 at V _{CB} =25 | 14 at V _{EB} =12 | Any | D | 20 | 2.5 | 100 | -100 | 100 | 50 | 20 | -65 to +85 | E | 1 | 50 | 65 |
| Germanium, p-n-p, Small-Signal, Audio-Frequency Types[^] | | | | | | | | | | | | | | | | | | |
| 2N104 | Class A AF Amplifier | -30 at I _C =-20 | -10 at V _{CB} =-12 | -10 at V _{EB} =-12 | Any | A | -30 | -12 | -50 | 50 | 150 | 80 | 35 | -65 to +85 | E E C B B | -4 -6 -3 -3 -6 | -0.7 -1 -0.2 -0.2 -1 | — 44 — — 0.977 |
| 2N105 | Class A AF Amplifier | -25 at I _C =-10 | -7 at V _{CB} =-12 | — | Any | C | -25 | — | -15 | 15 | 60 | 35 | 10 | -65 to +85 | E E C B B | -1.3 -4 -1.3 -4 -1.3 | -0.3 -0.7 -0.3 -0.7 -0.3 | 45 55 — 0.982 0.978 |
| 2N175 | Class A Low-Noise AF Amplifier | — | -12 at V _{CB} =-25 | -12 at V _{EB} =-12 | Any | A | -10 | -10 | -2 | 2 | 50 | 20 | 10 | -65 to +85 | E B | -4 -4 | -0.5 -0.5 | 65 0.985 |
| 2N215 | Class A AF Amplifier | -30 at I _C =-20 | -10 at V _{CB} =-12 | -10 at V _{EB} =-12 | Any | D | -30 | -12 | -50 | 50 | 150 | 80 | 35 | -65 to +85 | E E C B B | -4 -6 -3 -3 -6 | -0.7 -1 -0.2 -0.2 -1 | — 44 — — 0.977 |
| 2N220 | Class A AF Amplifier | — | -12 at V _{CB} =-25 | -12 at V _{EB} =-12 | Any | D | -10 | -10 | -2 | 2 | 50 | 20 | 10 | -65 to +85 | E B | -4 -4 | -0.5 -0.5 | 65 0.985 |
| 2N331 | Class A AF Amplifier | — | -16 at V _{CB} =-30 | -16 at V _{EB} =-12 | Any | B | -30 | -12 | -200 | 200 | 200 | 60 | 25 | -65 to +85 | E E B | -6 -3 -6 | -1 -0.5 -1 | 50 42 0.980 |
| 2N405 | Class A AF Driver | — | -14 at V _{CB} =-12 | -14 at V _{EB} =-12 | Any | A | -20 | -2.5 | -35 | -35 | 150 | 50 | 20 | -65 to +85 | E | -6 | -1 | 35 |
| 2N406 | Class A AF Driver | — | -14 at V _{CB} =-12 | -14 at V _{EB} =-12 | Any | D | -20 | -2.5 | -35 | -35 | 150 | 50 | 20 | -65 to +85 | E | -6 | -1 | 35 |
| Germanium, n-p-n, Small-Signal, Audio-Frequency Type[^] | | | | | | | | | | | | | | | | | | |
| 2N1010 | Class A Low-Noise AF Amplifier | — | 10 at V _{CB} =10 | 6 at V _{EB} =2.5 | Any | D | 10 | 10 | 2 | -2 | — | 20 | — | -65 to +85 | E B | 3.5 6 | 0.3 1 | 35 — |

† Cutoff Data. Collector-to-Base Voltage and Collector Current values obtained with emitter open at stated dc collector current (μa) or stated dc collector-to-base volts. Emitter Current values obtained with collector open at stated dc emitter-to-base volts. Ambient temperature = 25°C.

[^] Alloy-Junction.

B = Common-Base, Emitter-Input Circuit.

C = Common-Collector, Base-Input Circuit.

E = Common-Emitter, Base-Input Circuit.

† Measured with a noise diode and a thermocouple voltmeter with an equivalent noise bandwidth of 12.3 Kc and geometric mean of 3000 cps. 2N1010 noise factor measured with a generator resistance of 1000 ohms and an integrated noise bandwidth of 15 Kc.

• Measured in a Class B push-pull stage.

‡ This frequency (figure of merit) may be calculated from the equation:

$$f = \frac{1}{4\pi} \sqrt{\frac{g_m}{r_{bb'} C_{b'e} C_{b'c}}}$$

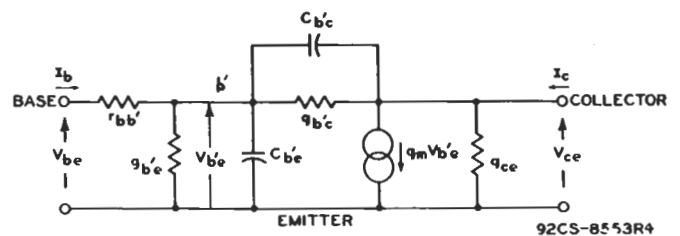
CHARACTERISTICS

| TYPICAL OPERATION (Cont'd) Ambient Temperature = 25°C | | | | | | | CHARACTERISTICS For COMMON-EMITTER CIRCUIT, BASE INPUT at Ambient Temperature = 25°C Small-Signal Hybrid- π Parameters For equivalent circuit, see below | | | | | | | | | | RCA TYPE |
|--|----------------------|---------------|---------------------------|----------------------|-----------------|--|---|------------------------------|-------------------------------|---|----------|-----------|------------------------|-----------|---|--|-----------------|
| Power Gain | | | Noise Factor | | | Alpha-Cutoff Frequency MC ($f_{\alpha b}$) | DC Collector-to-Emitter volts (V_{CE}) | DC Collector Current ma (Ic) | Resistance ohms ($r_{bb'}$) | Conductance μ mhos | | | Capacitance $\mu\mu$ f | | Intrinsic Transconductance μ mhos (g_m) | Frequency For Unity Power Amplification Mc | |
| Input Resistance ohms | Load Resistance ohms | Power Gain db | Generator Resistance ohms | Load Resistance ohms | Noise Factor db | | | | | $g_{b'e}$ | g_{ce} | $g_{b'o}$ | $C_{b'e}$ | $C_{b'c}$ | | | |
| Germanium, n-p-n, Large-Signal, Audio-Frequency Types[▲] | | | | | | | | | | | | | | | | | |
| 1800 | — | 66* | — | — | — | — | — | — | — | Use with type 2N217 in Class B complementary-symmetry stages. | | | | | | | 2N647 |
| 1100 | 45 | 54* | — | — | — | — | — | — | — | Use with type 2N408 in Class B complementary-symmetry stages. | | | | | | | 2N649 |
| Germanium, p-n-p, Small-Signal, Audio-Frequency Types[▲] | | | | | | | | | | | | | | | | | |
| — | — | — | 518 | 20000 | 12 max. | — | — | — | — | — | — | — | — | — | — | — | — |
| 1400 | 20000 | 41 | — | — | — | — | —3 | -0.2 | 300 | 174 | 1.28 | 0.3 | 1225 | 36 | 5540 | 1.6 | 2N104 |
| 500000 | 18000 | 14.3 | — | — | — | — | -6 | -1 | 290 | 727 | 6.62 | 0.36 | 6900 | 40 | 32000 | 1.6 | |
| 170 | 500000 | 32.4 | — | — | — | 0.53 | — | — | — | — | — | — | — | — | — | — | |
| 4700 | 4700 | 32.5 | 1000 | 20000 | 16.5 max. | — | — | — | — | — | — | — | — | — | — | — | — |
| 2300 | 20000 | 42 | — | — | — | — | -1.3 | -0.3 | 260 | 220 | 3.1 | 0.20 | 2500 | 25 | 10000 | 1.9 | 2N105 |
| 500000 | 13000 | 16 | — | — | — | — | -4 | -0.7 | 250 | 380 | 4.5 | 0.21 | 4500 | 17 | 21000 | 2.6 | |
| 180 | 500000 | 33.2 | — | — | — | 0.75 | — | — | — | — | — | — | — | — | — | — | |
| — | — | — | — | — | — | 0.64 | — | — | — | — | — | — | — | — | — | — | — |
| 2000 | 70000 | 43 | 1000 | 20000 | 6 max. | — | — | — | — | — | — | — | — | — | — | — | — |
| — | — | — | — | — | — | 0.85 | -4 | -0.5 | 190 | 296 | 6.6 | 0.279 | 3900 | 36 | 19200 | 2.06 | 2N175 |
| — | — | — | 518 | 20000 | 12 max. | — | — | — | — | — | — | — | — | — | — | — | — |
| 1400 | 20000 | 41 | — | — | — | — | —3 | -0.2 | 300 | 174 | 1.28 | 0.3 | 1225 | 36 | 5540 | 1.6 | 2N215 |
| 500000 | 18000 | 14.3 | — | — | — | — | -6 | -1 | 290 | 727 | 6.62 | 0.36 | 6900 | 40 | 32000 | 1.6 | |
| 170 | 500000 | 32.4 | — | — | — | 0.53 | — | — | — | — | — | — | — | — | — | — | |
| — | — | — | — | — | — | 0.70 | — | — | — | — | — | — | — | — | — | — | — |
| 2000 | 70000 | 43 | 1000 | 20000 | 6 max. | — | — | — | — | — | — | — | — | — | — | — | — |
| — | — | — | — | — | — | 0.85 | -4 | -0.5 | 190 | 296 | 6.6 | 0.279 | 3900 | 36 | 19200 | 2.06 | 2N220 |
| 912 | 20000 | 44 | 1000 | 20000 | 9 | — | — | — | — | — | — | — | — | — | — | — | — |
| — | — | — | — | — | — | 1.16 | -3 | -0.5 | 88 | 412 | 5.0 | 0.357 | 2920 | 49 | 17300 | — | 2N331 |
| — | — | — | — | — | — | — | -6 | -1 | 84 | 692 | 7.65 | 0.323 | 4750 | 36 | 34600 | — | |
| 750 | 85000 | 43 | — | — | — | — | -6 | -1 | 120 | 1070 | 6.5 | 0.295 | — | 40 | 37500 | — | 2N405 |
| 750 | 85000 | 43 | — | — | — | — | -6 | -1 | 120 | 1070 | 6.5 | 0.295 | — | 40 | 37500 | — | 2N406 |
| Germanium, n-p-n, Small-Signal, Audio-Frequency Type[▲] | | | | | | | | | | | | | | | | | |
| — | — | — | 1000 | — | 5 max. | — | — | — | — | — | — | — | — | — | — | — | — |
| — | — | — | — | — | — | 2 | — | — | — | — | — | — | — | — | — | — | 2N1010 |

For footnotes, see page 10.

SMALL-SIGNAL HYBRID- π PARAMETERS:

Derived from the accompanying one-generator equivalent circuit and applicable over the useful frequency range of the transistor.



RCA TRANSISTOR

| RCA TYPE | CLASS OF SERVICE | GENERAL DATA | | | | | MAXIMUM RATINGS (Absolute-Maximum Values) | | | | | | TYPICAL OPERATION Ambient Temperature = 25°C | | | | |
|----------------|---------------------|--|---|---|--------------------|-------------------------------------|--|----------------------------|---------------------------|-------------------------|--|-------------------|---|---------|-------------------------------|-------------------------|-----------------|
| | | Electrical † | | | Mechanical | | Peak Collector-to-Base volts | Peak Emitter-to-Base volts | Peak Collector Current ma | Peak Emitter Current ma | Transistor Dissipation | | Ambient Storage Temperature °C | Circuit | DC Collector-to-Emitter volts | DC Collector Current ma | DC Current Gain |
| | | Minimum DC Collector-to-Base volts (V _{CB0}) | Maximum DC Collector Current μa (I _{CB0}) | Maximum DC Emitter Current μa (I _{EB0}) | Operating Position | Dimensional Outline see pages 20-22 | | | | | Temperature °C T _A = Ambient T _M = Mounting-Flange | Dissipation watts | | | | | |
| 2N109 | AF Amplifier | — | -14 at V _{CB} = -25 | -14 at V _{EB} = -12 | Any | A | -25 | -12 | -70 | 70 | T _A = 25 | 0.15 | -65 to +85 | E | -1 | -50 | 75 |
| 2N176 | AF Power Amplifier | — | -3000 at V _{CB} = -30 | -2000 at V _{EB} = -12 | Any | F | -40 | — | -3000 | 3000 | T _M = 80 | 10 | -65 to +90 | E | -2 | -500 | 63 |
| 2N217 | AF Amplifier | — | -14 at V _{CB} = -25 | -14 at V _{EB} = -12 | Any | D | -25 | -12 | -70 | 70 | T _A = 25 | 0.15 | -65 to +85 | E | -1 | -50 | 75 |
| 2N270 | AF Amplifier | — | -16 at V _{CB} = -25 | -12 at V _{EB} = -12 | Any | E | -25 | -12 | -150 | 150 | T _A = 25 | 0.25 | -65 to +85 | E | -1 | -150 | 70 |
| 2N301 | AF Power Amplifier | -40 at I _C = -5000 | -100 at V _{CB} = -0.5 | — | Any | F | -40 | -12 | -3000 | 3000 | T _M = 80 | 11 | -65 to +91 | E | -1.5 | -1000 | 70 |
| 2N301-A | AF Power Amplifier | -60 at I _C = -5000 | -100 at V _{CB} = -0.5 | — | Any | F | -60 | -12 | -3000 | 3000 | T _M = 80 | 11 | -65 to +91 | E | -1.5 | -1000 | 70 |
| 2N351 | AF Power Amplifier | — | -3000 at V _{CB} = -30 | -2000 at V _{EB} = -10 | Any | F | -40 | — | -3000 | 3000 | T _M = 80 | 10 | -65 to +90 | E | -2 | -700 | 65 |
| 2N376 | AF Power Amplifier | — | -3000 at V _{CB} = -30 | -2000 at V _{EB} = -10 | Any | F | -40 | — | -3000 | 3000 | T _M = 80 | 10 | -65 to +90 | E | -2 | -700 | 78 |
| 2N407 | AF Amplifier | — | -14 at V _{CB} = -12 | -14 at V _{EB} = -2.5 | Any | A | -20 | -2.5 | -70 | 70 | T _A = 25 | 0.15 | -65 to +85 | E | -1 | -50 | 65 |
| 2N408 | AF Amplifier | — | -14 at V _{CB} = -12 | -14 at V _{EB} = -2.5 | Any | D | -20 | -2.5 | -70 | 70 | T _A = 25 | 0.15 | -65 to +85 | E | -1 | -50 | 65 |
| 2N456 | AF Power Amplifier | -40 at I _C = -2000 | — | -2000 at V _{EB} = -20 | Any | F | -40 | -20 | -5000 | 5000 | T _M = 25 | 50 | -65 to +100 | E | -1.5 | -2000 | 52 |
| 2N457 | AF Power Amplifier | -60 at I _C = -2000 | — | -2000 at V _{EB} = -20 | Any | F | -60 | -20 | -5000 | 5000 | T _M = 25 | 50 | -65 to +100 | E | -1.5 | -2000 | 52 |
| 2N561 | AF Power Amplifier | -80 at I _C = -3000 | -150 at V _{CB} = -0.5 | -200 at V _{EB} = -12 | Any | F | -80 | -60 | -10000 | 10000 | T _M = 80 | 13.3 | -65 to +100 | E | -1.5 | -1000 | 75 |
| 2N586 | AF Amplifier | — | -150 at V _{CB} = -45 | -200 at V _{EB} = -12 | Any | E | -45 | -12 | -250 | 250 | T _A = 25 | 0.25 | -65 to +85 | E | -1.5 | -1000 | 75 |
| 2N591 | AF Driver Amplifier | — | -7 at V _{CB} = -1 | -20 at V _{EB} = -1 | Any | D | -32* | — | -40 | 40 | T _A = 55 | 0.05 | -65 to +85 | E | -12 | -2 | 70 |
| 2N1014 | AF Power Amplifier | -100 at I _C = -3000 | -150 at V _{CB} = -0.5 | -200 at V _{EB} = -12 | Any | F | -100 | -60 | -10000 | 10000 | T _M = 80 | 13.3 | -65 to +100 | E | -1.5 | -1000 | 75 |

† Cutoff Data. Collector-to-Base Voltage and Collector Current values obtained with emitter open at stated dc collector current (μa) or stated dc collector-to-base volts. Emitter Current values obtained with collector open at stated dc emitter-to-base volts. Ambient temperature = 25°C.

* Peak Collector-to-Emitter Voltage.

E = Common-Emitter, Base Input Circuit.

▲ Alloy-Junction. Also see types listed under Germanium p-n-p Types for Power-Switching Applications (page 16).

• Minimum value.

CHARACTERISTICS

TYPICAL OPERATION (Cont'd)

Common-Emitter Circuit, Base Input



| Service | Temperature °C T _A = Ambient T _M = Mounting Flange | Signal Frequency cps | DC Supply volts | DC Collector-to-Emitter volts | DC Zero-Signal Base-to-Emitter volts | Collector Current (per transistor) | | | Signal-Source Impedance (per base) ohms | Load Impedance (per collector) ohms | Emitter Resistor ohms | Collector Dissipation watts | Circuit Efficiency % | Power Gain db | Total Harmonic Distortion | | Max. Signal Power Output watts | TYPE |
|---|---|----------------------|-----------------|-------------------------------|--------------------------------------|--------------------------------------|-------------------|-------------------|--|-------------------------------------|-----------------------|-----------------------------|----------------------|---------------|---------------------------|-----------------------------------|--------------------------------|----------------|
| | | | | | | Peak ma | DC Zero-Signal ma | DC Max. Signal ma | | | | | | | at Power Output watts | Distortion % | | |
| Class B (push-pull) | T _A = 25 T _A = 25 | 1000 1000 | -4.5 -9 | — — | -0.15 -0.15 | -35 -40 | -2 -2 | -11.5 -13 | 375 375 | 100 200 | — — | — — | 60 69 | 30 33 | 0.075 0.16 | 7 7 | 0.075 0.16 | 2N109 |
| Class A | T _M = 80 | 1000 | -14.4 | -13.7 | -0.24 | -1000 | -500 | — | 10 | 25 | 1 | 6.83 | — | 35.5 | 2 | 4 | 2 | 2N176 |
| Class B (push-pull) | T _A = 25 T _A = 25 | 1000 1000 | -4.5 -9 | — — | -0.15 -0.15 | -35 -40 | -2 -2 | -11.5 -13 | 375 375 | 100 200 | — — | — — | 60 69 | 30 33 | 0.075 0.16 | 7 7 | 0.075 0.16 | 2N217 |
| Class B (push-pull) | T _A = 25 | 1000 | -12 | — | -0.11 | -110 | -2 | -35 | 1000 | 150 | — | — | 75 | 32 | 0.51 0.01 | 10 [■] 5 [■] | 0.5 | 2N270 |
| Class B (push-pull) | T _M = 80 | 400 | -14.4 | — | -0.13 | -2000 | -50 | -640 | 10 | 6 | — | 3 | 67 | 30 | 12 | 7 [■] | 12 | 2N301 |
| Class B (push-pull) | T _M = 80 | 400 | -14.4 | — | -0.13 | -2000 | -50 | -640 | 10 | 6 | — | 3 | 67 | 30 | 12 | 7 [■] | 12 | 2N301-A |
| Class A | T _M = 80 | 1000 | -14.4 | -13.2 | -0.3 | -1400 | -700 | — | 10 | 15 | 1 | 9.25 | — | 33.5 | 4 | 5 | 4 | 2N351 |
| Class A | T _M = 80 | 1000 | -14.4 | -13.2 | -0.3 | -1400 | -700 | — | 10 | 15 | 1 | 9.25 | — | 35 | 4 | 5 | 4 | 2N376 |
| Class B (push-pull) | T _A = 25 T _A = 25 | 1000 1000 | -4.5 -9 | — — | -0.15 -0.15 | -35 -40 | -2 -2 | -11.5 -13 | 375 375 | 100 200 | — — | — — | 60 69 | 30 33 | 0.075 0.16 | 7 7 | 0.075 0.16 | 2N407 |
| Class B (push-pull) | T _A = 25 T _A = 25 | 1000 1000 | -4.5 -9 | — — | -0.15 -0.15 | -35 -40 | -2 -2 | -11.5 -13 | 375 375 | 100 200 | — — | — — | 60 69 | 30 33 | 0.075 0.16 | 7 7 | 0.075 0.16 | 2N408 |
| Class B (push-pull) | T _M = 25 | 400 | -28 | — | — | DC Supply Current = -1.62 amperes | | | 2.5 | 10 | 0.5 | — | 66.1 | 25.9 | 30 | 3.8 | 30 | 2N456 |
| Class B (push-pull) | T _M = 25 | 400 | -28 | — | — | DC Supply Current = -1.62 amperes | | | 2.5 | 10 | 0.5 | — | 66.1 | 25.9 | 30 | 3.8 | 30 | 2N457 |
| Class B (push-pull) | T _M = 25 | 400 | -28 | — | — | DC Supply Current = -1.62 amperes | | | 2.5 | 10 | 0.5 | — | 66.1 | 25.9 | 30 | 3.8 | 30 | 2N561 |
| Maximum Transistor Dissipation at 55 °C = 125 mw. Maximum Transistor Dissipation at 71 °C = 60 mw. | | | | | | | | | | | | | | | | | 2N586 | |
| Driver | T _A = 25 | 1000 | -14.4 | -12 | -0.13 | DC Collector Current = -2 ma. | | | Input Resistance = 1,000 ohms Output Resistance = 10,000 ohms | | 0.025 | — | 41 | 0.005 | 3 | 0.005 | 2N591 | |
| Class B (push-pull) | T _M = 25 | 400 | -28 | — | — | DC Supply Current = -1.62 amperes | | | 2.5 | 10 | 0.5 | — | 66.1 | 25.9 | 30 | 3.8 | 30 | 2N1014 |

▲ Alloy-Junction. Also see types listed under Germanium p-n-p Types for Power-Switching Applications (page 16).

■ Maximum value.

RCA TRANSISTOR CHARACTERISTICS

| TYPE | GENERAL DATA | | | | | MAXIMUM RATINGS (Absolute Maximum Values) | | | | | | | TYPICAL OPERATION Ambient Temperature = 25°C (For switching time data, see page 17) | | | | | |
|-----------------|--|---|---|--------------------|-------------------------------------|---|----------------------------|---------------------------|-------------------------|--|------|------|--|---------|-------------------------------|-------------------------|---------------------------|--|
| | Electrical | | | Mechanical | | Peak Collector-to-Base volts | Peak Emitter-to-Base volts | Peak Collector Current ma | Peak Emitter Current ma | Transistor Dissipation mw at ambient temperature of: | | | Ambient Storage Temperature °C | Circuit | DC Collector-to-Emitter volts | DC Collector Current ma | DC Current Transfer Ratio | Alpha-Cutoff Frequency Mc (f _{cb}) |
| | Minimum DC Collector-to-Base volts (V _{CB0}) | Maximum DC Collector Current μa (I _{CB0}) | Maximum DC Emitter Current μa (I _{EB0}) | Operating Position | Dimensional Outline see pages 20-22 | | | | | 25°C | 55°C | 71°C | | | | | | |

Germanium, p-n-p Types[▲] for High-Speed Switching Applications

| 2N247 | For data on these types, see pages 4 and 5. | | | | | | | | | | | | | | | | | | |
|---------------|---|------------------------------|-------------------------------|-----|---|-----|------|------|-----|-----|----|----|-------------|---|------------|-------|----|-----|----|
| 2N274 | | | | | | | | | | | | | | | | | | | |
| 2N384 | | | | | | | | | | | | | | | | | | | |
| 2N580 | -20 at I _C = -20 | -5 at V _{CB} = -12 | -5 at V _{EB} = -2 | Any | B | -20 | -12 | -400 | 400 | 120 | 35 | 10 | -65 to +85 | E | -0.3 to -6 | 400-1 | 45 | — | 15 |
| 2N582 | -25 at I _C = -20 | -5 at V _{CB} = -12 | -20 at V _{EB} = -12 | Any | I | -25 | -12 | -100 | 100 | 120 | 35 | 10 | -65 to +85 | E | -0.2 to -6 | -20-1 | 60 | — | 18 |
| 2N584 | -25 at I _C = -20 | -5 at V _{CB} = -12 | -20 at V _{EB} = -12 | Any | D | -25 | -12 | -100 | 100 | 120 | 35 | 10 | -65 to +85 | E | -0.2 to -6 | -20-1 | 60 | — | 18 |
| 2N643 | -30 at I _C = -100 | -10 at V _{CB} = -7 | — | Any | I | -30 | -2 | -100 | 100 | 120 | 35 | 10 | -65 to +85 | E | -7 | -5 | 45 | 30* | |
| 2N644 | -30 at I _C = -100 | -10 at V _{CB} = -7 | — | Any | I | -30 | -2 | -100 | 100 | 120 | 35 | 10 | -65 to +85 | E | -7 | -5 | 45 | 50* | |
| 2N645 | -30 at I _C = -100 | -10 at V _{CB} = -7 | — | Any | I | -30 | -2 | -100 | 100 | 120 | 35 | 10 | -65 to +85 | E | -7 | -5 | 45 | 75* | |
| 2N1023 | -40 at I _B = -50 | -12 at V _{CB} = -12 | -12 at V _{EB} = -0.5 | Any | I | -40 | -0.5 | -10 | 10 | 120 | 72 | 46 | -65 to +100 | E | -12 | -1.5 | 60 | — | |
| 2N1066 | -40 at I _C = -50 | -12 at I _C = -50 | -12 at V _{EB} = -0.5 | Any | I | -40 | -0.5 | -10 | 10 | 120 | 72 | 46 | -65 to +100 | E | -12 | -1.5 | 60 | — | |
| 2N1224 | -40 at I _C = -50 | -12 at V _{CB} = -12 | -12 at V _{EB} = -0.5 | Any | I | -40 | -0.5 | -10 | 10 | 120 | 72 | 46 | -65 to +85 | E | -12 | -1.5 | 60 | — | |
| 2N1225 | -40 at I _C = -50 | -12 at V _{CB} = -12 | -12 at V _{EB} = -0.5 | Any | I | -40 | -0.5 | -10 | 10 | 120 | 72 | 46 | -65 to +85 | E | -12 | -1.5 | 60 | — | |
| 2N1226 | -60 at I _C = -50 | -12 at V _{CB} = -12 | -12 at V _{EB} = -0.5 | Any | I | -60 | -0.5 | -10 | 10 | 120 | 72 | 46 | -65 to +85 | E | -12 | -1.5 | 60 | — | |
| 2N1300 | -30 at I _C = -20 | -3 at V _{CB} = -6 | — | Any | I | -13 | -1 | -100 | 100 | 150 | 75 | 35 | -65 to +85 | E | -3 | -10 | — | 40* | |
| 2N1301 | -30 at I _C = -20 | -3 at V _{CB} = -0 | — | Any | I | -13 | -4 | -100 | 100 | 150 | 75 | 35 | -65 to +58 | E | -3 | -10 | — | 60* | |
| 2N1395 | -40 at I _C = -50 | -12 at V _{CB} = -12 | -12 at V _{EB} = -0.5 | Any | I | -40 | -0.5 | -10 | 10 | 120 | 72 | 46 | -65 to +100 | E | -12 | -1.5 | 90 | — | |
| 2N1396 | -40 at I _C = -50 | -12 at V _{CB} = -12 | -12 at V _{EB} = -0.5 | Any | I | -40 | -0.5 | -10 | 10 | 120 | 72 | 46 | -65 to +100 | E | -12 | -1.5 | 90 | — | |
| 2N1397 | -40 at I _C = -50 | -12 at V _{CB} = -12 | -12 at V _{EB} = -0.5 | Any | I | -40 | -0.5 | -10 | 10 | 120 | 72 | 46 | -65 to +100 | E | -12 | -1.5 | 90 | — | |

▲ Cutoff Data. Collector-to-Base Voltage and Collector Current values obtained with emitter open at stated dc collector current (μa) or stated dc collector-to-base volts. Emitter Current values obtained with collector open at stated dc emitter-to-base volts. Ambient temperature = 25°C.

▲ Alloy-Junction.

B = Common-Base, Emitter-Input Circuit.

C = Common-Collector, Base-Input Circuit.

E = Common-Emitter, Base-Input Circuit.

* Gain-Bandwidth Product (frequency at which the current gain = 1).

RCA TRANSISTOR CHARACTERISTICS

| TYPE | GENERAL DATA | | | | | MAXIMUM RATINGS (Absolute-Maximum Values) | | | | | | | TYPICAL OPERATION Ambient Temperature = 25°C (For switching time data, see page 17) | | | | | |
|---|--|---|---|--------------------|-------------------------------------|--|----------------------------|---------------------------|-------------------------|--|------|------|---|---------|-------------------------------|-------------------------|---------------------------|--|
| | Electrical | | | Mechanical | | Peak Collector-to-Base volts | Peak Emitter-to-Base volts | Peak Collector Current ma | Peak Emitter Current ma | Transistor Dissipation mw at ambient temperature of: | | | Ambient Storage Temperature °C | Circuit | DC Collector-to-Emitter volts | DC Collector Current ma | DC Current Transfer Ratio | Alpha-Cutoff Frequency Mc (f _{cb}) |
| | Minimum DC Collector-to-Base volts (V _{CB0}) | Maximum DC Collector Current μa (I _{CB0}) | Maximum DC Emitter Current μa (I _{EB0}) | Operating Position | Dimensional Outline see pages 20-22 | | | | | 25°C | 55°C | 71°C | | | | | | |
| Germanium, n-p-n Types[†] for Medium-Speed Switching Applications | | | | | | | | | | | | | | | | | | |
| 2N585 | 25 at I _C = 25 | 8 at V _{CB} = 12 | 5 at V _{EB} = 5 | Any | B | 25 | 20 | 200 | -200 | 120 | 45 | 10 | -65 to +85 | E B | 0.2 6 | 20 1 | 40 — | — 5 |
| 2N1090 | 25 at I _C = 25 | 8 at V _{CB} = 12 | 5 at V _{EB} = 5 | Any | B | 25 | 20 | 400 | -400 | 120 | 35 | 10 | -65 to +85 | E B | 0.2 6 | 20 1 | 50 — | — 7 |
| 2N1091 | 25 at I _C = 25 | 8 at V _{CB} = 12 | 5 at V _{EB} = 5 | Any | B | 25 | 20 | 400 | -400 | 120 | 35 | 10 | -65 to +85 | E B | 0.2 6 | 20 1 | 70 — | — 13 |
| Germanium, p-n-p Types[†] for Medium-Speed Switching Applications | | | | | | | | | | | | | | | | | | |
| 2N139 | For data on these types, see pages 4 and 5. | | | | | | | | | | | | | | | | | |
| 2N140 | | | | | | | | | | | | | | | | | | |
| 2N218 | | | | | | | | | | | | | | | | | | |
| 2N219 | | | | | | | | | | | | | | | | | | |
| 2N269 | -25 at I _C = -20 | -5 at V _{CB} = -12 | -20 at V _{EB} = -12 | Any | D | -25 | -12 | -100 | 100 | 120 | 35 | 10 | -65 to +85 | B | -6 | -1 | — | 12 |
| 2N404 | -25 at I _C = -20 | -5 at V _{CB} = -12 | -20 at V _{EB} = -12 | Any | I | -25 | -12 | -100 | 100 | 120 | 35 | 10 | -65 to +85 | B | -6 | -1 | — | 12 |
| 2N578 | -20 at I _C = -20 | -5 at V _{CB} = -12 | -5 at V _{EB} = -6 | Any | B | -20 | -12 | -400 | 400 | 120 | 35 | 10 | -65 to +85 | E B | -0.3 -6 | 400 -1 | 15 — | — 5 |
| 2N579 | -20 at I _C = -20 | -5 at V _{CB} = -12 | -5 at V _{EB} = -6 | Any | B | -20 | -12 | -400 | 400 | 120 | 35 | 10 | -65 to +85 | E B | -0.3 -6 | 400 -1 | 30 — | — 8 |
| 2N581 | -18 at I _C = -20 | -6 at V _{CB} = -6 | -20 at V _{EB} = -25 | Any | I | -18 | -10 | -100 | 100 | 120 | 35 | 10 | -65 to +85 | E B | -0.3 -6 | -20 -1 | 30 — | — 8 |
| 2N583 | -18 at I _C = -20 | -6 at V _{CB} = -6 | -20 at V _{EB} = -25 | Any | D | -18 | -10 | -100 | 100 | 120 | 35 | 10 | -65 to +85 | E B | -0.3 -6 | -20 -1 | 30 — | — 8 |
| Germanium, p-n-p Types[†] for Low-Speed Switching Applications | | | | | | | | | | | | | | | | | | |
| 2N109 | For data on these types, see pages 12 and 13. | | | | | | | | | | | | | | | | | |
| 2N217 | | | | | | | | | | | | | | | | | | |
| 2N270 | | | | | | | | | | | | | | | | | | |
| 2N398 | -105 at I _C = -50 | -14 at V _{CB} = -2.5 | -50 at V _{EB} = -50 | Any | B | -105 | -50 | -100 | 100 | 50 | 10 | — | -65 to +85 | E | -0.35 | -5 | 60 | — |
| 2N586 | — | -16 at V _{CB} = -45 | -12 at V _{EB} = -12 | Any | E | -45 | -12 | -250 | 250 | 250 | 125 | 60 | -65 to +85 | E | -0.5 | -250 | 55 | — |

† Cutoff Data. Collector-to-Base Voltage and Collector Current values obtained with emitter open at stated dc collector current (μa) or stated dc collector-to-base volts. Emitter Current values obtained with collector open at stated dc emitter-to-base volts. Ambient temperature = 25°C.

E = Common-Emitter, Base-Input Circuit.

B = Common-Base, Emitter-Input Circuit.

* Gain-Bandwidth Product (frequency at which the current gain = 1).

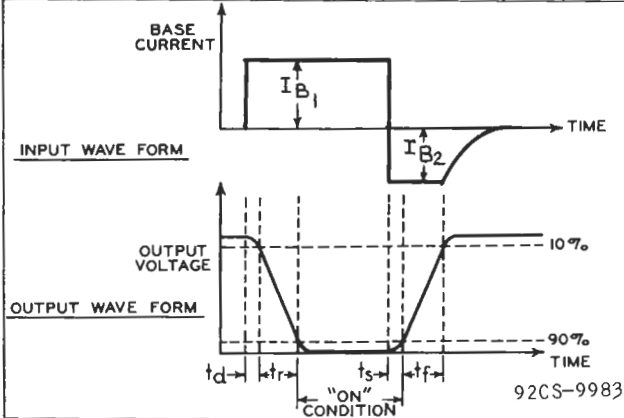
▲ Alloy-Junction.

RCA TRANSISTOR CHARACTERISTICS

| | GENERAL DATA | | | | | MAXIMUM RATINGS (Absolute-Maximum Values) | | | | | | | TYPICAL OPERATION Ambient Temperature = 25°C (For switching time data, see page 17) | | | | | |
|------|---|--|--------------------------------------|--------------------|-------------------------------------|--|----------------------------|---------------------------|-------------------------|--|------|------|---|---------|-------------------------------|-------------------------|---------------------------|---|
| | Electrical | | | Mechanical | | Peak Collector-to-Base volts | Peak Emitter-to-Base volts | Peak Collector Current ma | Peak Emitter Current ma | Transistor Dissipation mW at ambient temperature of: | | | Ambient Storage Temperature °C | Circuit | DC Collector-to-Emitter volts | DC Collector Current ma | DC Current Transfer Ratio | Alpha-Cutoff Frequency Mc (f _α) |
| | Minimum DC Collector-to-Base volts (BV _{CB0}) | Maximum DC Collector Current μA (ICBO) | Maximum DC Emitter Current μA (IEBO) | Operating Position | Dimensional Outline see pages 20-22 | | | | | 25°C | 55°C | 71°C | | | | | | |
| TYPE | | | | | | | | | | | | | | | | | | |

Germanium, p-n-p Types[†] for Power-Switching Applications

| | | | | | | | | | | | | | | | | | | |
|-----------------|--------------------------------------|--------------------------------------|--------------------------------------|-----|---|------|-----|--------|-------|--------------|-----|-----|-------------------|---|------|-------|-----|---|
| 2N456 | -40 at I _C = -2000 | — | -2000 at V _{EB} = -20 | Any | ⓕ | -40 | -20 | -5000 | 5000 | see page 12. | | | -65 to +100 | E | -1.5 | -2000 | 52 | — |
| 2N457 | -60 at I _C = -2000 | — | -2000 at V _{EB} = -20 | Any | ⓕ | -60 | -20 | -5000 | 5000 | see page 12. | | | -65 to +100 | E | -1.5 | -2000 | 52 | — |
| 2N561 | -80 at I _C = -3000 | -150 at V _{CB} = -0.5 | -200 at V _{EB} = -12 | Any | ⓕ | -80 | -60 | -10000 | 10000 | see page 12. | | | -65 to +100 | E | -1.5 | -1000 | 75 | — |
| 2N1014 | -100 at I _C = -3000 | -150 at V _{CB} = -0.5 | -200 at V _{EB} = -12 | Any | ⓕ | -100 | -60 | -10000 | 10000 | see page 12. | | | -65 to +100 | E | -1.5 | -1000 | 75 | — |
| 2N1183 | -45 at I _C = -250 | -30 at V _{CB} = -1.5 | -100 at V _{EB} = -20 | Any | ⓐ | -45 | -20 | -3000 | 3000 | 1000 | 500 | 300 | -55 to +100 | E | -2 | 400 | 20* | — |
| 2N1183-A | -60 at I _C = -250 | -30 at V _{CB} = -1.5 | -100 at V _{EB} = -20 | Any | ⓐ | -60 | -20 | -3000 | 3000 | 1000 | 500 | 300 | -65 to +100 | E | -2 | 400 | 20* | — |
| 2N1183-B | -80 at I _C = -250 | -30 at V _{CB} = -1.5 | -100 at V _{EB} = -20 | Any | ⓐ | -80 | -20 | -3000 | 3000 | 1000 | 500 | 300 | -65 to +100 | E | -2 | 400 | 20* | — |
| 2N1184 | -45 at I _C = -250 | -30 at V _{CB} = -1.5 | -100 at V _{EB} = -20 | Any | ⓐ | -45 | -20 | -3000 | 3000 | 1000 | 500 | 300 | -65 to +100 | E | -2 | 400 | 40* | — |
| 2N1184-A | -60 at I _C = -250 | -30 at V _{CB} = -1.5 | -100 at V _{EB} = -20 | Any | ⓐ | -60 | -20 | -3000 | 3000 | 1000 | 500 | 300 | -65 to +100 | E | -2 | 400 | 40* | — |
| 2N1184-B | -80 at I _C = -250 | -30 at V _{CB} = -1.5 | -100 at V _{EB} = -20 | Any | ⓐ | -80 | -20 | -3000 | 3000 | 1000 | 500 | 300 | -65 to +100 | E | -2 | 400 | 40* | — |



Symbols:

I_{B1} = "Turn-On" Base Current
 I_{B2} = "Turn-Off" Base Current
 t_d = Delay Time
 t_r = Rise Time
 t_s = Storage Time
 t_f = Fall Time

Input and Output Wave Forms for a Typical Switching Circuit.

† Cutoff Data. Collector-to-Base Voltage and Collector Current values obtained with emitter open at stated dc collector current (μA) or stated dc collector-to-base volts. Emitter Current values obtained with collector open at stated dc emitter-to-base volts. Ambient temperature = 25°C.

‡ Alloy-Junction.
 E = Common-Emitter, Base-Input Circuit.
 B = Common-Base, Emitter-Input Circuit.
 * Minimum Value.

RCA TRANSISTOR CHARACTERISTICS

SWITCHING TIME

(for definitions of symbols, see figure, page 16)

| TYPE | "Turn-On" Time μ sec | | "Turn-Off" Time μ sec | | "On" Collector Current ma | Base Current ma | | | | | | | | | | | |
|---|---|-------|---------------------------------|-------|--|-----------------------|----------|--|---|--|------|------|-------|-------|------|---|--|
| | t_d | t_r | t_a | t_f | ma | I_{B1} | I_{B2} | | | | | | | | | | |
| Germanium, p-n-p Types for High-Speed Switching Applications | | | | | | | | | Germanium, p-n-p Types for Medium-Speed Switching Applications | | | | | | | | |
| 2N247 | For data on these types, see pages 4 and 5. | | | | | | | | 2N139 | For data on these types, see pages 4 and 5. | | | | | | | |
| 2N274 | | | | | | | | | 2N140 | | | | | | | | |
| 2N384 | | | | | | | | | 2N318 | | | | | | | | |
| 2N580 | 0.04 | 0.16 | 0.29 | 0.11 | -200 | -20 | 20 | 2N219 | 0.05 | 0.17 | 0.20 | 0.12 | -24 | -2 | 2 | | |
| 2N582 | 0.05 | 0.15 | 0.17 | 0.13 | -24 | -1.2 | 1.2 | 2N269 | 0.05 | 0.17 | 0.20 | 0.12 | -24 | -2 | 2 | | |
| 2N584 | 0.05 | 0.15 | 0.17 | 0.13 | -24 | -1.2 | 1.2 | 2N404 | 0.05 | 0.17 | 0.20 | 0.12 | -24 | -2 | 2 | | |
| 2N643 | 0.01 | 0.03 | 0.006 [■] | 0.03 | Measured in a non-saturating current-steering circuit ■ Delay time | | | 2N578 | 0.05 | 0.85 | 0.33 | 0.27 | -200 | -20 | 20 | | |
| 2N644 | 0.008 | 0.015 | 0.004 [■] | 0.015 | | | | 2N579 | 0.04 | 0.36 | 0.33 | 0.17 | -200 | -20 | 20 | | |
| 2N645 | 0.006 | 0.01 | 0.002 [■] | 0.01 | | | | 2N581 | 0.05 | 0.20 | 0.20 | 0.15 | -20 | -2 | 2 | | |
| 2N583 | 0.05 | 0.20 | 0.20 | 0.15 | -20 | -2 | 2 | Germanium, p-n-p Types for Low-Speed Switching Applications | | | | | | | | | |
| 2N1224 | For data on these types, see pages 6-9 and 14. | | | | | | | | 2N109 | For data on these types, see pages 12 and 13. | | | | | | | |
| 2N1225 | | | | | | | | | 2N217 | | | | | | | | |
| 2N1226 | | | | | | | | | 2N270 | | | | | | | | |
| 2N1395 | | | | | | | | | 2N398 | For data on these types, see page 15. | | | | | | | |
| 2N1396 | | | | | | | | | 2N586 | | | | | | | | |
| 2N1397 | | | | | | | | | 2N1300 | 0.14 | 0.11 | 0.14 | 0.11 | -10 | -1 | 1 | Germanium, p-n-p Types for Power-Switching Applications |
| 2N1301 | 0.09 | 0.07 | 0.09 | 0.07 | -10 | -1 | 1 | 2N456 | 10 | 90 | 15 | 65 | -3900 | -180 | 0 | | |
| Germanium, n-p-n Types for Medium-Speed Switching Applications | | | | | | | | | 2N457 | 10 | 90 | 15 | 65 | -3900 | -180 | 0 | |
| 2N585 | 0.05 | 0.35 | 0.25 | 0.20 | 20 | 2 | -2 | 2N561 | 10 | 90 | 15 | 65 | -3900 | -180 | 0 | | |
| Typical Stored Base Charge = 1800 micromicrocoulombs (collector current = 20 ma., base current = 2 ma.) | | | | | | | | 2N1014 | 10 | 90 | 15 | 65 | -3900 | -180 | 0 | | |
| 2N1090 | 0.05 | 0.25 | 0.20 | 0.15 | 200 | 20 | -20 | 2N1183 | 0.2 | 2 | 1.8 | 1.4 | -400 | -40 | 40 | | |
| Typical Stored Base Charge = 1000 micromicrocoulombs (collector current = 20 ma., base current = 1.33 ma.) | | | | | | | | 2N1183-A | 0.2 | 2 | 1.8 | 1.4 | -400 | -40 | 40 | | |
| 2N1091 | 0.05 | 0.20 | 0.17 | 0.13 | 200 | 13.3 | -13.3 | 2N1183-B | 0.2 | 2 | 1.8 | 1.4 | -400 | -40 | 40 | | |
| Typical Stored Base Charge = 750 micromicrocoulombs (collector current = 20 ma., base current = 1 ma.) | | | | | | | | 2N1184 | 0.2 | 2 | 1.8 | 1.4 | -400 | -40 | 40 | | |
| 2N1184-A | 0.2 | 2 | 1.8 | 1.4 | -400 | -40 | 40 | 2N1184-A | 0.2 | 2 | 1.8 | 1.4 | -400 | -40 | 40 | | |
| 2N1184-B | 0.2 | 2 | 1.8 | 1.4 | -400 | -40 | 40 | 2N1184-B | 0.2 | 2 | 1.8 | 1.4 | -400 | -40 | 40 | | |

RCA SILICON TRANSISTOR CHARACTERISTICS

| TYPE | GENERAL DATA | | | | | | MAXIMUM RATINGS (Absolute-Maximum Values) | | | | | | | TYPICAL OPERATION Ambient Temperature = 25°C | | | | |
|----------|---|---|--|--|---------------------------------|---|--|--------------------------------------|---|---------------------------------------|--|-------|--|---|---|----------------------------------|-----------------------|--|
| | Electrical † | | | | Mechanical | | Peak Collector- to-Base volts | Peak Emitter- to-Base volts | Peak Collector Current amperes | Peak Emitter Current amperes | Transistor Dissipation watts at case temperature of: | | Ambient Storage Temper- ature °C | Cir- cuit | DC Collector- to-Emitter volts | DC Collector Current ma | DC Current Gain | Alpha- Cutoff Fre- quency Mc (α) |
| | Maximum DC Collector Current μ a (I_{CBO}) | Maximum DC Collector-to-Emitter Saturation Resistance | | | Oper- ating Posi- tion | Dimen- sional Outline see pages 20-22 | | | | | 25°C | 100°C | | | | | | |

Silicon, n-p-n Types[^] for Power-Switching Applications

| | | | | | | | | | | | | | | | | | | |
|----------------------------|-----------------------------|------|-----|------|-----|----------|-----|----|-----|-------|----|-----|-------------------|--------|---------|-------------|----------------------|-----------|
| 2N1067 [*] | 500 at $V_{CB} = 60$ | 200 | 20 | 10 | Any | G | 60 | 12 | 0.5 | -0.5 | 5 | 2.5 | -65 to +175 | E B | 4 28 | 200 5 | 35 — | — 1.5 |
| 2N1068 [*] | 500 at $V_{CB} = 60$ | 750 | 100 | 2.67 | Any | G | 60 | 12 | 1.5 | -1.5 | 10 | 5 | -65 to +175 | E B | 4 28 | 750 5 | 38 — | — 1.5 |
| 2N1069 [*] | 1000 at $V_{CB} = 60$ | 1500 | 300 | 2 | Any | H | 60 | 9 | 4 | -4 | 50 | 25 | -65 to +175 | E B | 4 12 | 1500 100 | 20 — | — 1.2 |
| 2N1070 [*] | 1000 at $V_{CB} = 60$ | 1500 | 300 | 0.67 | Any | H | 60 | 9 | 4 | -4 | 50 | 25 | -65 to +175 | E B | 4 12 | 1500 100 | 20 — | — 1.2 |
| 2N1092 [*] | 500 at $V_{CB} = 60$ | 200 | 20 | 10 | Any | I | 60 | 12 | 0.5 | -0.5 | 2 | 1 | -65 to +175 | E B | 4 28 | 200 5 | 35 — | — 1.5 |
| 2N1479 | 10 at $V_{CB} = 30$ | 200 | 20 | 7 | Any | I | 60 | 12 | 1.5 | -1.75 | 4 | 2 | -65 to +175 | E B | 4 28 | 200 5 | 15 [■] — | — 1.5 |
| 2N1480 | 10 at $V_{CB} = 30$ | 200 | 20 | 7 | Any | I | 100 | 12 | 1.5 | -1.75 | 4 | 2 | -65 to +175 | E B | 4 28 | 200 5 | 15 [■] — | — 1.5 |
| 2N1481 | 10 at $V_{CB} = 30$ | 200 | 10 | 7 | Any | I | 60 | 12 | 1.5 | -1.75 | 4 | 2 | -65 to +175 | E B | 4 28 | 200 5 | 35 [■] — | — 1.5 |
| 2N1482 | 10 at $V_{CB} = 30$ | 200 | 10 | 7 | Any | I | 100 | 12 | 1.5 | -1.75 | 4 | 2 | -65 to +175 | E B | 4 28 | 200 5 | 35 [■] — | — 1.5 |
| 2N1483 | 15 at $V_{CB} = 30$ | 750 | 75 | 2.67 | Any | G | 60 | 12 | 3 | -3.5 | 15 | 7.5 | -65 to +175 | E B | 4 28 | 750 5 | 15 [■] — | — 1.25 |
| 2N1484 | 15 at $V_{CB} = 30$ | 750 | 75 | 2.67 | Any | G | 100 | 12 | 3 | -3.5 | 15 | 7.5 | -65 to +175 | E B | 4 28 | 750 5 | 15 [■] — | — 1.25 |
| 2N1485 | 15 at $V_{CB} = 30$ | 750 | 40 | 1 | Any | G | 60 | 12 | 3 | -3.5 | 15 | 7.5 | -65 to +175 | E B | 4 28 | 750 5 | 35 [■] — | — 1.25 |
| 2N1486 | 15 at $V_{CB} = 30$ | 750 | 40 | 1 | Any | G | 100 | 12 | 3 | -3.5 | 15 | 7.5 | -65 to +175 | E B | 4 28 | 750 5 | 35 [■] — | — 1.25 |
| 2N1487 | 25 at $V_{CB} = 30$ | 1500 | 300 | 2 | Any | H | 60 | 10 | 6 | -8 | 60 | 30 | -65 to +175 | E B | 4 12 | 1500 100 | 10 [■] — | — 1 |
| 2N1488 | 25 at $V_{CB} = 30$ | 1500 | 300 | 2 | Any | H | 100 | 10 | 6 | -8 | 60 | 30 | -65 to +175 | E B | 4 12 | 1500 100 | 10 [■] — | — 1 |
| 2N1489 | 25 at $V_{CB} = 30$ | 1500 | 100 | 0.67 | Any | H | 60 | 10 | 6 | -8 | 60 | 30 | -65 to +175 | E B | 4 12 | 1500 100 | 25 [■] — | — 1 |
| 2N1490 | 25 at $V_{CB} = 30$ | 1500 | 100 | 0.67 | Any | H | 100 | 10 | 6 | -8 | 60 | 30 | -65 to +175 | E B | 4 12 | 1500 100 | 25 [■] — | — 1 |

† Cutoff Data. Collector Current values obtained with emitter open at stated dc collector-to-base volts. Case temperature = 25°C.

■ Minimum value.

* Not recommended for new equipment design. For recommended types, see page 19.

E = Common-Emitter, Base-Input Circuit.

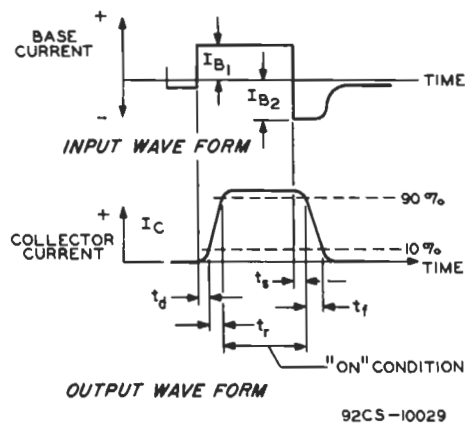
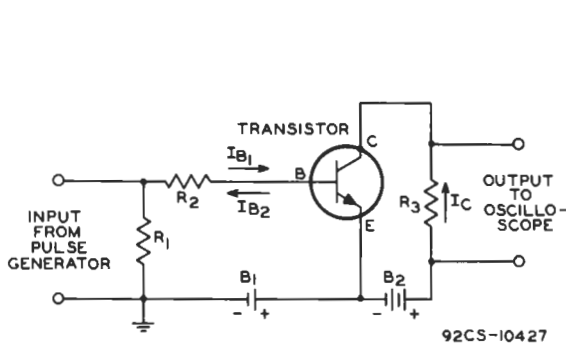
B = Common-Base, Emitter-Input Circuit.

[^] Diffused-Junction.

RCA SILICON TRANSISTOR CHARACTERISTICS

SWITCHING TIME

| CLASS | RCA TYPE | "Turn-On" Time μ sec | | "Turn-Off" Time μ sec | | "On" Collector Current ma | Base Current ma | | Circuit Parameters | | | | |
|---------------------------|-------------|-----------------------------|-------|------------------------------|-------|------------------------------|--------------------|----------|---|-------------|------------|------------|------------|
| | | t_d | t_r | t_s | t_f | | I_{B1} | I_{B2} | B_1 volts | B_2 volts | R_1 ohms | R_2 ohms | R_3 ohms |
| Medium-Power Types | 2N1092 | 0.2 | 1.2 | 0.7 | 0.9 | 200 | 20 | -20 | For new equipment design, see Type 2N1479 | | | | |
| | 2N1479 | 0.2 | 1 | 0.6 | 1 | 200 | 20 | -8.5 | 8.5 | 12 | 50 | 700 | 59 |
| | 2N1480 | 0.2 | 1 | 0.6 | 1 | 200 | 20 | -8.5 | 8.5 | 12 | 50 | 700 | 59 |
| | 2N1481 | 0.2 | 1 | 0.6 | 1 | 200 | 20 | -8.5 | 8.5 | 12 | 50 | 700 | 59 |
| | 2N1482 | 0.2 | 1 | 0.6 | 1 | 200 | 20 | -8.5 | 8.5 | 12 | 50 | 700 | 59 |
| Inter-mediate-Power Types | 2N1067 | 0.2 | 1.2 | 0.7 | 0.9 | 200 | 20 | -20 | For new equipment design, see Type 2N1483 | | | | |
| | 2N1068 | 0.2 | 1.6 | 1.0 | 1.8 | 750 | 50 | -50 | For new equipment design, see Type 2N1483 | | | | |
| | 2N1483 | 0.2 | 1 | 0.8 | 1.1 | 750 | 65 | -35 | 8.5 | 12 | 50 | 220 | 15.9 |
| | 2N1484 | 0.2 | 1 | 0.8 | 1.1 | 750 | 65 | -35 | 8.5 | 12 | 50 | 220 | 15.9 |
| | 2N1485 | 0.2 | 1 | 0.8 | 1.1 | 750 | 65 | -35 | 8.5 | 12 | 50 | 220 | 15.9 |
| | 2N1486 | 0.2 | 1 | 0.8 | 1.1 | 750 | 65 | -35 | 8.5 | 12 | 50 | 220 | 15.9 |
| High-Power Types | 2N1069 | 0.2 | 1.8 | 0.8 | 1.4 | 1500 | 200 | -200 | For new equipment design, see Type 2N1487 | | | | |
| | 2N1070 | 0.2 | 1.8 | 0.8 | 1.4 | 1500 | 200 | -200 | For new equipment design, see Type 2N1489 | | | | |
| | 2N1487 | 0.2 | 1 | 1 | 1.2 | 1500 | 300 | -150 | 8.5 | 12 | 50 | 30 | 7.8 |
| | 2N1488 | 0.2 | 1 | 1 | 1.2 | 1500 | 300 | -150 | 8.5 | 12 | 50 | 30 | 7.8 |
| | 2N1489 | 0.2 | 1 | 1 | 1.2 | 1500 | 300 | -150 | 8.5 | 12 | 50 | 30 | 7.8 |
| | 2N1490 | 0.2 | 1 | 1 | 1.2 | 1500 | 300 | -150 | 8.5 | 12 | 50 | 30 | 7.8 |



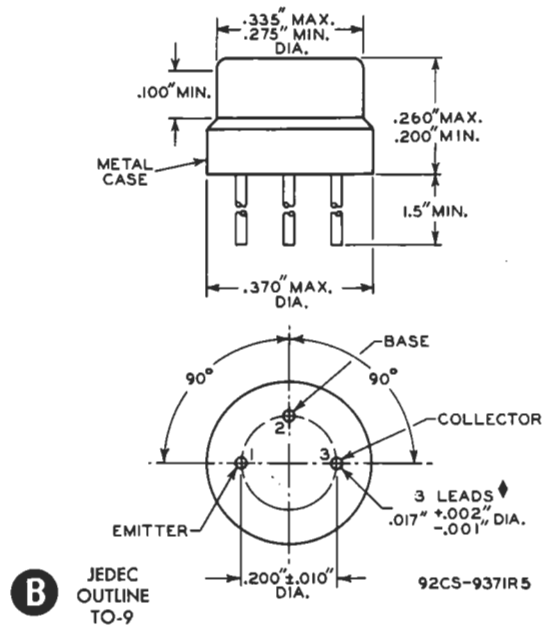
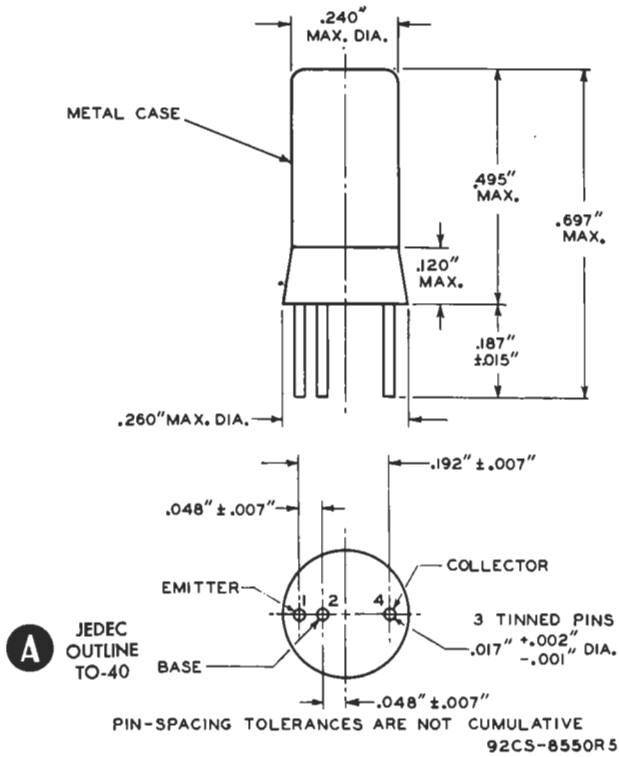
Symbols:
 I_{B1} = "Turn-On" Base Current
 I_{B2} = "Turn-Off" Base Current
 t_d = Delay Time
 t_r = Rise Time
 t_s = Storage Time
 t_f = Fall Time

Typical Switching Circuit.

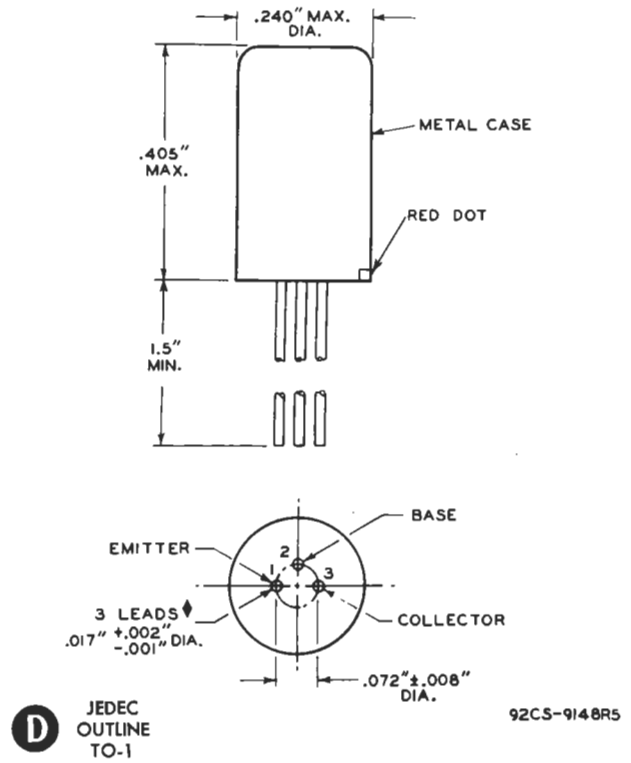
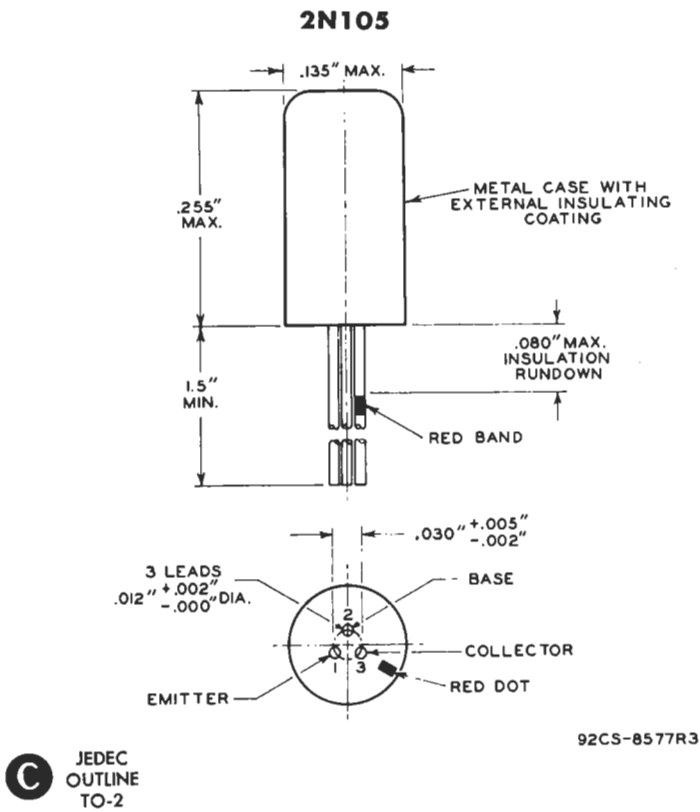
DIMENSIONAL OUTLINES

**2N104, 2N109, 2N139, 2N140, 2N175,
2N405, 2N407, 2N409 and 2N411**

**2N331, 2N398, 2N578, 2N579, 2N580,
2N585, 2N1090 and 2N1091**



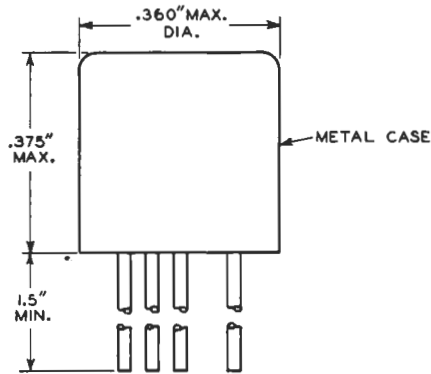
**2N215, 2N217, 2N218, 2N219, 2N220,
2N406, 2N408, 2N410, 2N412, 2N583,
2N584, 2N591, 2N647, 2N649 and 2N1010**



♦The specified lead diameter applies in the zone between 0.050" and 0.250" from the base seat. Between 0.250" and 1.50" a maximum of 0.021" diameter is held. Outside of these zones, the lead diameter is not controlled.

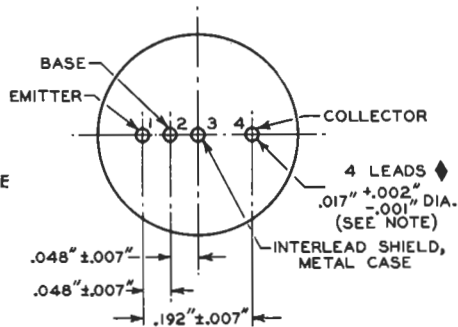
DIMENSIONAL OUTLINES (Cont'd)

2N247, 2N270[■], 2N370, 2N371, 2N372, 2N373, 2N374, 2N544, 2N586[■], 2N640, 2N641, 2N642, 2N1425 and 2N1426



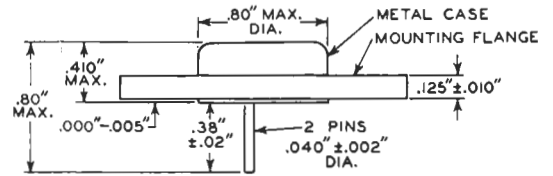
E

JEDEC
OUTLINE
TO-7

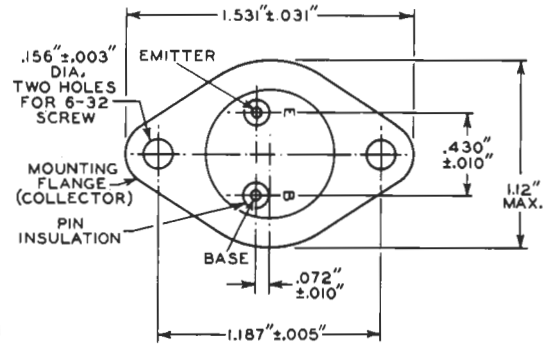


92CS-9122R5

2N176, 2N301, 2N301-A, 2N351, 2N376, 2N456, 2N457, 2N561 and 2N1014

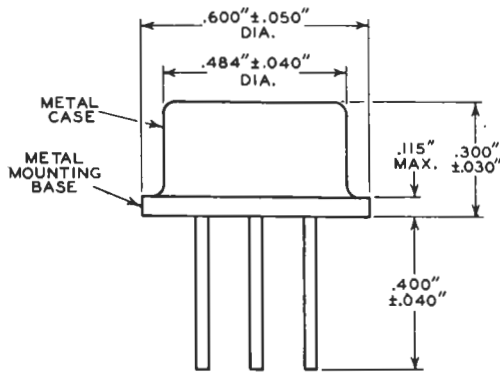


F



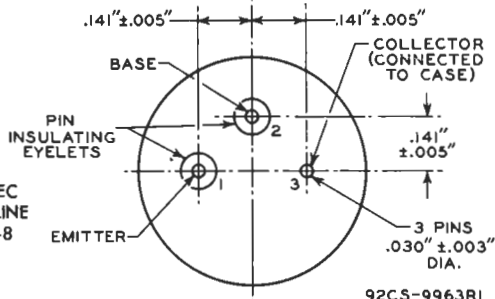
92CS-9624

2N1067, 2N1068, 2N1183, 2N1183-A 2N1183-B, 2N1184, 2N1184-A, 2N1184-B, 2N1483, 2N1484, 2N1485 and 2N1486



G

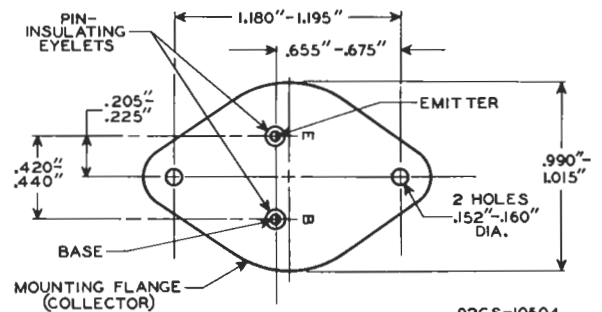
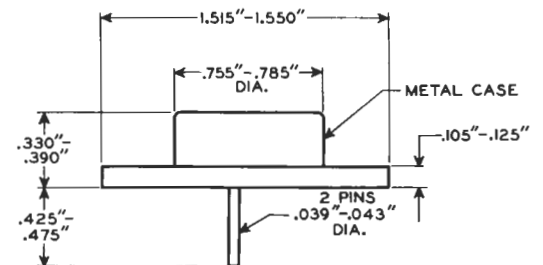
JEDEC
OUTLINE
TO-8



92CS-9963RI

■Lead No. 3 omitted.

2N1069, 2N1070, 2N1487, 2N1488, 2N1489 and 2N1490



92CS-10504

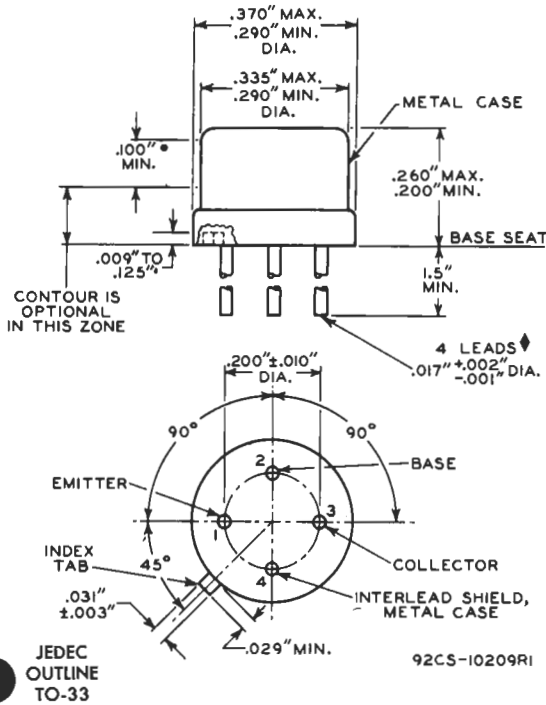
H

✦ The dimensions of these types conform to JEDEC TO-3 outline which is similar to the outline shown. For actual dimensions see technical bulletin for these types.

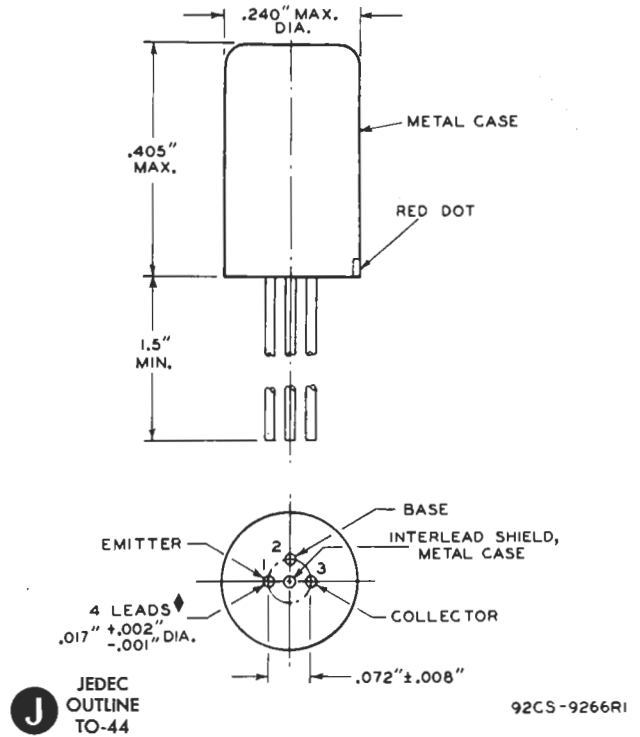
✦ The specified lead diameter which applies in the zone between 0.050" and 0.250" from the base seat. Between 0.250" and 1.50" a maximum of 0.021" diameter is held. Outside of these zones, the lead diameter is not controlled.

DIMENSIONAL OUTLINES (Cont'd)

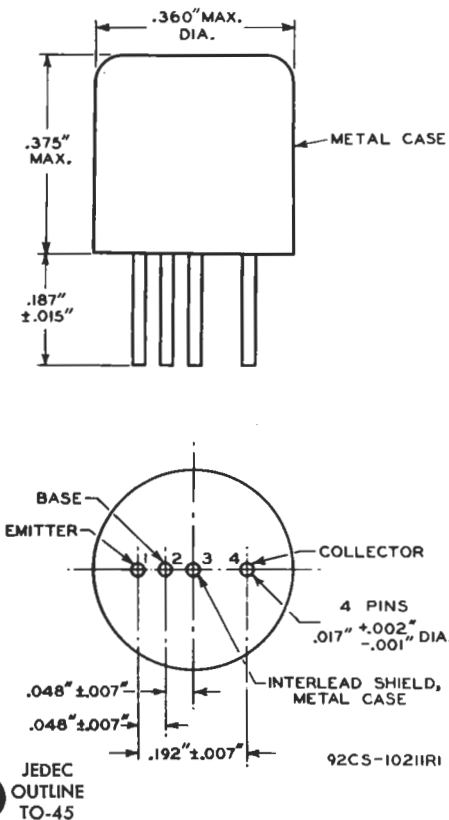
**2N404†, 2N581†, 2N582†, 2N1066,
2N1092†, 2N1224, 2N1225, 2N1226,
2N1300†, 2N1301†, 2N1395, 2N1396,
2N1397, 2N1479†, 2N1480†, 2N1481†
and 2N1482†.**



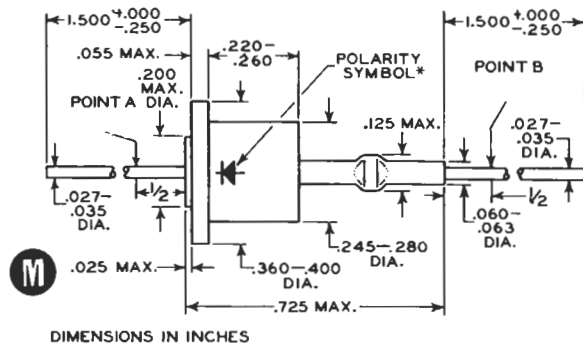
IN2326†, 2N274, 2N384 and 2N1023



2N1177, 2N1178, 2N1179 and 2N1180



**IN440-B, IN441-B, IN442-B, IN443-B, IN444-B,
IN445-B, IN536, IN537, IN538, IN539,
IN540, IN547, IN1095, IN1763 and IN1764**



†The specified lead diameter applies in the zone between 0.050" and 0.250" from the base seat. Between 0.250" and 1.50" a maximum of 0.021" diameter is held. Outside of these zones, the lead diameter is not controlled.

*The diameter in this zone is controlled for automatic handling. The total variation in actual diameter from the true diameter, due to taper and out of round within this zone will not exceed 0.010".

*Arrow indicates direction of forward (easy) current as indicated by dc ammeter.

†Do not dip solder beyond points A and B.

‡Forward (easy) current direction is toward the lead adjacent to the polarity mark. Lead No. 2 and center lead omitted.

† Lead No. 4 omitted. Outline conforms to JEDEC Outline TO-5.

INTERCHANGEABILITY DIRECTORY

The following directory has been prepared to guide designers, experimenters, and servicemen in selecting the proper RCA transistor type as a replacement and to help identify and describe many of the transistor types which have been introduced on the market by different manufacturers.

Identifying information about the Type To Be Replaced including the following: (1) manufacturer's prefix, if any, (2) the basic type designation in bold face, (3) symbol to designate the manufacturer, (4) symbol to indicate the description, for example, GPA=Germanium, p-n-p, Alloy-Junction Type (denotes the structural arrangement and kind of semiconductor materials used in the device), and (5) class of service is charted in the first five columns. The next two columns show the RCA Direct Replacement Type, or the RCA Similar Type, respectively, when one or the other is available.

Basic designations shown in Column 2 of the tabulation are listed in numerical — alphabetical sequence. Those starting with a digit are given first; those starting with a letter appear at the

end of the tabulation.

Types listed in the Similar RCA Type column (Column 6) are not directly interchangeable with the types listed in the Basic Designation column because of mechanical and/or electrical differences. For more information as to degree of similarity refer to respective transistor data.

How to Use

1. Look in Column 2 for basic designation of type to be replaced.

2. If type to be replaced has a prefix, look for that prefix in Column 1.

For example: If type CK-762 is to be replaced, find the basic designation 762 in Column 2 and the prefix CK in Column 1.

3. Consult Column 6 for corresponding RCA Direct Replacement Type.

4. If no Direct RCA Replacement Type is shown consult Column 7 for RCA Similar Type and obtain respective transistor data to determine degree of similarity.

KEY TO SYMBOLS IN COLUMN 3

AMP = Amperex
ARA = Advanced Research Associates
BEN = Bendix
BOG = Bogue
CBS = CBS-Hytron
CTP = Clevite
DEL = Delco
FCH = Fairchild
GE = General Electric
GTC = General Transistor

HA = Hughes Aircraft
MOT = Motorola
MAL = Mallory
MH = Minneapolis-Honeywell
N = Nucleonics
NA = National Aircraft
NU = National Union
PHL = Philco
RCA = Radio Corporation of America
RK = Raytheon

RR = Radio Receptor
SYL = Sylvania
SPR = Sprague
SRD = Sperry-Rand
TEC = Transistron
TI = Texas Instruments
TS = Tung-Sol
WE = Western Electric
WHE = Westinghouse

KEY TO SYMBOLS IN COLUMN 4

GC = Germanium, Point-Contact Type
GMA = Germanium, Matched Pair, Alloy-Junction Types
GNA = Germanium, n-p-n, Alloy-Junction Type
GND = Germanium, n-p-n, "Drift" or Diffused-Base Type
GNG = Germanium, n-p-n, Grown-Junction Type
GPA = Germanium, p-n-p, Alloy-Junction Type
GPB = Germanium, p-n-p, Bilateral Type
GPD = Germanium, p-n-p, "Drift" or Diffused-Base Type
GPG = Germanium, p-n-p, Grown-Junction Type
GPS = Germanium, p-n-p, Surface-Barrier Type

GNB = Germanium, n-p-n, Bilateral Type
GSN = Germanium-Silicon, n-p-n
SND = Silicon, n-p-n, Diffused-Base Type
SNJ = Silicon, n-p-n, Diffused-Junction Type
SPD = Silicon, p-n-p, Diffused-Base Type
SNA = Silicon, n-p-n, Alloy-Junction Type
SNG = Silicon, n-p-n, Grown-Junction Type
SPA = Silicon, p-n-p, Alloy-Junction Type
SPG = Silicon, p-n-p, Grown-Junction Type
SD = Semiconductor Diode

| Type To Be Replaced | | | | Class of Service | Replace by RCA Type* | Similar RCA Type† |
|---------------------|-------------------|------|-------------|------------------|----------------------|-------------------|
| Mfr. Prefix | Basic Designation | Mfr. | Description | | | |
| | 2A | CTP | GC | AF Amplifier | | |
| | 2B | CTP | GC | Switching | | |
| | 2C | CTP | GC | Switching | | |
| | 2D | CTP | GC | Switching | | |
| | 2E | CTP | GC | AF Amplifier | | |
| | 2G | CTP | GC | Switching | | |
| | 2H | CTP | GC | AF Amplifier | | |
| | 2L | CTP | GC | Switching | | |
| | 2N21 | WE | GC | Switching | | |
| | 2N21A | WE | GC | AF Amplifier | | |
| | 2N22 | WE | GC | Switching | | |
| | 2N23 | WE | GC | Switching | | |
| | 2N24 | WE | GC | AF Amplifier | | |
| | 2N25 | WE | GC | AF Amplifier | | |
| | 2N26 | WE | GC | Switching | | |
| | 2N27 | WE | GNG | AF Amplifier | | |
| | 2N28 | WE | GNG | AF Amplifier | | |
| | 2N29 | WE | GNG | Switching | | |
| | 2N30 | GE | GC | AF Amplifier | | |
| | 2N31 | GE | GC | Oscillator | | |
| | 2N32* | RCA | GC | Switching | | |
| | 2N32A* | RCA | GC | Switching | | |
| | 2N33* | RCA | GC | Oscillator | | |
| | 2N34 | GTC | GPA | AF Amplifier | 2N407 | |
| | 2N34* | GTC | GPA | AF Amplifier | 2N407 | |
| | 2N34 | SYL | GPA | AF Amplifier | | 2N407 |
| | 2N34 | TEC | GPA | AF Amplifier | | 2N407 |
| | 2N34A* | RCA | GPA | AF Amplifier | | 2N407 |
| | 2N35* | RCA | GNA | AF Amplifier | | 2N647 |
| | 2N35* | RCA | GNA | AF Amplifier | | 2N647 |

| Type To Be Replaced | | | | Class of Service | Replace by RCA Type* | Similar RCA Type† |
|---------------------|-------------------|------|-------------|------------------|----------------------|-------------------|
| Mfr. Prefix | Basic Designation | Mfr. | Description | | | |
| | 2N36 | GE | GPA | General Use | | 2N217 |
| | 2N36 | GE | GPA | General Use | | 2N217 |
| | 2N37 | GE | GPA | General Use | | 2N408 |
| | 2N37 | GE | GPA | General Use | | 2N408 |
| | 2N37 | GE | GPA | General Use | | 2N408 |
| | 2N38 | GE | GPA | AF Amplifier | | 2N408 |
| | 2N38 | GE | GPA | AF Amplifier | | 2N408 |
| | 2N38 | TEC | GPA | AF Amplifier | | 2N408 |
| | 2N38A | GE | GPA | AF Amplifier | | 2N408 |
| | 2N38A | GE | GPA | AF Amplifier | | 2N408 |
| | 2N39 | GE | GPA | General Use | | 2N217 |
| | 2N39 | NU | GPA | General Use | | 2N217 |
| | 2N39 | TEC | GPA | General Use | | 2N217 |
| | 2N40 | GE | GPA | General Use | | 2N217 |
| | 2N40 | NU | GPA | General Use | | 2N217 |
| | 2N40 | TEC | GPA | General Use | | 2N217 |
| | 2N41* | RCA | GPA | AF Amplifier | | 2N217 |
| | 2N42 | GE | GPA | General Use | | 2N217 |
| | 2N42 | NU | GPA | General Use | | 2N217 |
| | 2N42 | TEC | GPA | General Use | | 2N217 |
| | 2N43 | GE | GPA | AF Amplifier | | 2N109 |
| | 2N43 | GTC | GPA | AF Amplifier | | 2N109 |
| | 2N43 | TEC | GPA | AF Amplifier | | 2N109 |
| | 2N43A | GTC | GPA | AF Amplifier | | 2N331 |
| | 2N43A | TEC | GPA | AF Amplifier | | 2N331 |
| | 2N44 | GE | GPA | AF Amplifier | | 2N109 |
| | 2N44 | GTC | GPA | AF Amplifier | | 2N109 |
| | 2N44 | TEC | GPA | AF Amplifier | | 2N109 |
| | 2N44A | GE | GPA | AF Amplifier | | 2N109 |
| | 2N45 | GE | GPA | AF Amplifier | | 2N109 |

| Type To Be Replaced | | | | Class of Service | Replace by RCA Type* | Similar RCA Type† |
|---------------------|-------------------|------|-------------|------------------|----------------------|-------------------|
| Mfr. Prefix | Basic Designation | Mfr. | Description | | | |
| | 2N45 | GTC | GPA | AF Amplifier | | 2N109 |
| | 2N45 | TEC | GPA | AF Amplifier | | 2N109 |
| | 2N46* | RCA | GPA | AF Amplifier | | 2N105 |
| | 2N47 | PHL | GPA | AF Amplifier | | 2N105 |
| | 2N48 | PHL | GPA | AF Amplifier | | 2N105 |
| | 2N49 | PHL | GPA | AF Amplifier | | 2N105 |
| | 2N50 | CTP | GC | Switching | | |
| | 2N51 | CTP | GC | Switching | | |
| | 2N52 | CTP | GC | Oscillator | | |
| | 2N53 | CTP | GC | Switching | | |
| | 2N54 | WHE | GPA | AF Amplifier | | 2N109 |
| | 2N55 | WHE | GPA | AF Amplifier | | 2N109 |
| | 2N56 | WHE | GPA | AF Amplifier | | 2N109 |
| | 2N57 | NU | GPA | AF Power Ampl | | |
| | 2N59 | WHL | GPA | AF Amplifier | | 2N270 |
| | 2N59A | WHE | GPA | AF Amplifier | | |
| | 2N59B | WHE | GPA | AF Amplifier | | |
| | 2N59C | WHE | GPA | AF Amplifier | | |
| | 2N60 | WHE | GPA | AF Amplifier | | 2N270 |
| | 2N60A | WHE | GPA | AF Amplifier | | |
| | 2N60B | WHE | GPA | AF Amplifier | | |
| | 2N60C | WHE | GPA | AF Amplifier | | |
| | 2N61 | WHE | GPA | AF Amplifier | | 2N270 |
| | 2N61A | WHE | GPA | AF Amplifier | | |
| | 2N61B | WHE | GPA | AF Amplifier | | |
| | 2N61C | WHE | GPA | AF Amplifier | | |
| | 2N62 | PHL | GPA | General Use | | 2N109 |
| | 2N63 | GTC | GPA | AF Amplifier | | 2N217 |
| | 2N63 | RK | GPA | AF Amplifier | | 2N217 |
| | 2N63 | TEC | GPA | AF Amplifier | | 2N217 |

* RCA types shown in this column are direct replacements under all circumstances for corresponding types to be replaced. However, when making a power transistor replacement, the service technician is reminded to readjust the bias potentiometer in accordance with the equipment manufacturer's directions for optimum performance.

† RCA types shown in this column are not directly interchangeable with the types to be replaced because of mechanical and/or electrical differences. For more information as to degree of interchangeability, refer to respective type data or write to Commercial Engineering, RCA, Somerville, N. J.

• RCA has discontinued this type.

Information contained herein has been carefully checked and is believed to be reliable but no responsibility is assumed for possible inaccuracies. The reporting of any discrepancies to Commercial Engineering, RCA, Somerville, N. J., will be appreciated.

INTERCHANGEABILITY DIRECTORY

| 1 2 3 4 5 6 7 | | | | | 1 2 3 4 5 6 7 | | | | | 1 2 3 4 5 6 7 | | | | | | | | | | | | | | | | | | | | | | | | | | | | | | | | | | | | | | | | | | | | | | | | | | | | | | | | | | | | | | | | | | | | | | | | | | | | | | | | | | | | | | | | | | | | | | | | | | | | | | | | | | | | | | | | | | | | | | | | | | | | | | | | | | | | | | | | | | | | | | | | | | | | | | | | | | | | | | | | | | | | | | | | | | | | | | | | | | | | | | | | | | | | | | | | | | | | | | | | | | | | | | | | | | | | | | | | | | | | | | | | | | | | | | | | | | | | | | | | | | | | | | | | | | | | | | | | | | | | | | | | | | | | | | | | | | | | | | | | | | | | | | | | | | | | | | | | | | | | | | | | | | | | | | | | | | | | | | | | | | | | | | | | | | | | | | | | | | | | | | | | | | | | | | | | | | | | | | | | | | | | | | | | | | | | | | | | | | | | | | | | | | | | | | | | | | | | | | | | | | | | | | | | | | | | | | | | | | | | | | | | | | | | | | | | | | | | | | | | | | | | | | | | | | | | | | | | | | | | | | | | | | | | | | | | | | | | | | | | | | | | | | | | | | | | | | | | | | | | | | | | | | | | | | | | | | | | | | | | | | | | | | | | | | | | | | | | | | | | | | | | | | | | | | | | | | | | | | | | | | | | | | | | | | | | | | | | | | | | | | | | | | | | | | | | | | | | | | | | | | | | | | | | | | | | | | | | | | | | | | | | | | | | | | | | | | | | | | | | | | | | | | | | | | | | | | | | | | | | | | | | | | | | | | | | | | | | | | | | | | | | | | | | | | | | | | | | | | | | | | | | | | | | | | | | | | | | | | | | | | | | | | | | | | | | | | | | | | | | | | | | | | | | | | | | | | | | | | | | | | | | | | | | | | | | | | | | | | | | | | | | | | | | | | | | | | | | | | | | | | | | | | | | | | | | | | | | | | | | | | | | | | | | | | | | | | | | | | | | | | | | | | | | | | | | | | | | | | | | | | | | | | | | | | | | | | | | | | | | | | | | | | | | | | | | | | | | | | | | | | | | | | | | | | | | | | | | | | | | | | | | | | | | | | | | | | | | | | | | | | | | | | | | | | | | | | | | | | | | | | | | | | | | | | | | | | | | | | | | | | | | | | | | | | | | | | | | | | | | | | | | | | | | | | | | | | |
|---------------------|-------------------|------|--------------|------------------|----------------------|-------------------|---------------------|-------------------|---------------|---------------|------------------|----------------------|-------------------|---------------------|-------------------|--------------|--------------|------------------|----------------------|-------------------|------|-----|--------------|---------------|--------|------|-----|--------------|---------------|--------|------|-----|--------------|---------------|--------|------|-----|--------------|---------------|--------|------|-----|--------------|---------------|--------|------|-----|--------------|---------------|--------|------|-----|--------------|---------------|--------|------|-----|--------------|---------------|--------|------|-----|--------------|---------------|--------|------|-----|--------------|---------------|--------|------|-----|--------------|---------------|--------|------|-----|--------------|---------------|--------|------|-----|--------------|---------------|--------|------|-----|--------------|---------------|--------|------|-----|--------------|---------------|--------|------|-----|--------------|---------------|--------|------|-----|--------------|---------------|--------|------|-----|--------------|---------------|--------|------|-----|--------------|---------------|--------|------|-----|--------------|---------------|--------|------|-----|--------------|---------------|--------|------|-----|--------------|---------------|--------|------|-----|--------------|---------------|--------|------|-----|--------------|---------------|--------|------|-----|--------------|---------------|--------|------|-----|--------------|---------------|--------|------|-----|--------------|---------------|--------|------|-----|--------------|---------------|--------|------|-----|--------------|---------------|--------|------|-----|--------------|---------------|--------|------|-----|--------------|---------------|--------|------|-----|--------------|---------------|--------|------|-----|--------------|---------------|--------|------|-----|--------------|---------------|--------|------|-----|--------------|---------------|--------|------|-----|--------------|---------------|--------|------|-----|--------------|---------------|--------|------|-----|--------------|---------------|--------|------|-----|--------------|---------------|--------|------|-----|--------------|---------------|--------|------|-----|--------------|---------------|--------|------|-----|--------------|---------------|--------|------|-----|--------------|---------------|--------|------|-----|--------------|---------------|--------|------|-----|--------------|---------------|--------|------|-----|--------------|---------------|--------|------|-----|--------------|---------------|--------|------|-----|--------------|---------------|--------|------|-----|--------------|---------------|--------|------|-----|--------------|---------------|--------|------|-----|--------------|---------------|--------|------|-----|--------------|---------------|--------|------|-----|--------------|---------------|--------|------|-----|--------------|---------------|--------|------|-----|--------------|---------------|--------|------|-----|--------------|---------------|--------|------|-----|--------------|---------------|--------|------|-----|--------------|---------------|--------|------|-----|--------------|---------------|--------|------|-----|--------------|---------------|--------|------|-----|--------------|---------------|--------|------|-----|--------------|---------------|--------|------|-----|--------------|---------------|--------|------|-----|--------------|---------------|--------|------|-----|--------------|---------------|--------|------|-----|--------------|---------------|--------|------|-----|--------------|---------------|--------|------|-----|--------------|---------------|--------|------|-----|--------------|---------------|--------|------|-----|--------------|---------------|--------|------|-----|--------------|---------------|--------|------|-----|--------------|---------------|--------|------|-----|--------------|---------------|-----|------|-----|--------------|---------------|-----|------|-----|--------------|---------------|-----|------|-----|--------------|---------------|-----|------|-----|--------------|---------------|-----|------|-----|--------------|---------------|-----|------|-----|--------------|---------------|-----|------|-----|--------------|---------------|-----|------|-----|--------------|---------------|-----|------|-----|--------------|---------------|-----|------|-----|--------------|---------------|-----|------|-----|--------------|---------------|-----|------|-----|--------------|---------------|-----|------|-----|--------------|---------------|-----|------|-----|--------------|---------------|-----|------|-----|--------------|---------------|-----|------|-----|--------------|---------------|-----|------|-----|--------------|---------------|-----|------|-----|--------------|---------------|-----|------|-----|--------------|---------------|-----|------|-----|--------------|---------------|-----|------|-----|--------------|---------------|-----|------|-----|--------------|---------------|-----|------|-----|--------------|---------------|-----|------|-----|--------------|---------------|-----|------|-----|--------------|---------------|-----|------|-----|--------------|---------------|-----|------|-----|--------------|---------------|-----|------|-----|--------------|---------------|-----|------|-----|--------------|---------------|-----|------|-----|--------------|---------------|-----|------|-----|--------------|---------------|-----|------|-----|--------------|---------------|-----|------|-----|--------------|---------------|-----|------|-----|--------------|---------------|-----|------|-----|--------------|---------------|-----|------|-----|--------------|---------------|-----|------|-----|--------------|---------------|-----|------|-----|--------------|---------------|-----|------|-----|--------------|---------------|-----|------|-----|--------------|---------------|-----|------|-----|--------------|---------------|-----|------|-----|--------------|---------------|-----|------|-----|--------------|---------------|-----|------|-----|--------------|---------------|-----|------|-----|--------------|---------------|-----|------|-----|--------------|---------------|-----|------|-----|--------------|---------------|-----|------|-----|--------------|---------------|-----|------|-----|--------------|---------------|-----|------|-----|--------------|---------------|-----|------|-----|--------------|---------------|-----|------|-----|--------------|---------------|-----|------|-----|--------------|---------------|-----|------|-----|--------------|--------------|-----|------|-----|--------------|---------------|-----|------|-----|--------------|---------------|-----|------|-----|--------------|---------------|-----|------|-----|--------------|---------------|-----|------|-----|--------------|---------------|-----|------|-----|--------------|---------------|-----|------|-----|--------------|---------------|-----|-----|-----|--------------|---------------|-----|------|-----|--------------|---------------|-----|------|-----|--------------|---------------|-----|------|-----|--------------|---------------|-----|------|-----|--------------|--------------|-----|------|-----|--------------|--------------|-----|------|-----|--------------|--------------|-----|------|-----|--------------|--------------|-----|------|-----|--------------|--------------|-----|------|-----|--------------|--------------|-----|------|-----|--------------|--------------|-----|------|-----|--------------|--------------|-----|-----|-----|--------------|--------------|-----|-----|-----|--------------|--------------|-----|-----|-----|--------------|--------------|-----|-----|-----|--------------|--------------|-----|-----|-----|--------------|--------------|-----|-----|-----|--------------|--------------|-----|-----|-----|--------------|--------------|-----|-----|-----|--------------|--------------|-----|-----|-----|--------------|--------------|-----|-----|-----|--------------|--------------|-----|-----|-----|--------------|--------------|-----|-----|-----|--------------|--------------|-----|-----|-----|--------------|--------------|-----|-----|-----|--------------|--------------|-----|-----|-----|--------------|--------------|-----|-----|-----|--------------|--------------|-----|-----|-----|--------------|--------------|-----|-----|-----|--------------|--------------|-----|-----|-----|--------------|--------------|-----|-----|-----|--------------|--------------|-----|-----|-----|--------------|--------------|-----|-----|-----|--------------|--------------|-----|-----|-----|--------------|--------------|-----|-----|-----|--------------|--------------|-----|-----|-----|--------------|--------------|-----|-----|-----|--------------|--------------|-----|-----|-----|--------------|--------------|-----|-----|-----|--------------|--------------|-----|-----|-----|--------------|--------------|-----|-----|-----|--------------|--------------|-----|-----|-----|--------------|--------------|-----|-----|-----|--------------|--------------|-----|-----|-----|--------------|--------------|-----|-----|-----|--------------|--------------|-----|-----|-----|--------------|--------------|-----|-----|-----|--------------|--------------|-----|-----|-----|--------------|--------------|-----|-----|-----|--------------|--------------|-----|-----|-----|--------------|--------------|-----|-----|-----|--------------|--------------|-----|-----|-----|--------------|--------------|-----|-----|-----|--------------|--------------|-----|-----|-----|--------------|--------------|-----|-----|-----|--------------|--------------|-----|-----|-----|--------------|--------------|-----|-----|-----|--------------|--------------|-----|-----|-----|--------------|--------------|-----|-----|-----|--------------|--------------|-----|-----|-----|--------------|--------------|-----|-----|-----|--------------|--------------|-----|-----|-----|--------------|--------------|-----|----|-----|--------------|--------------|-----|----|-----|--------------|--------------|-----|----|-----|--------------|--------------|-----|----|-----|--------------|--------------|
| Type To Be Replaced | | | | | Replace by RCA Type* | Similar RCA Type† | Type To Be Replaced | | | | | Replace by RCA Type* | Similar RCA Type† | Type To Be Replaced | | | | | Replace by RCA Type* | Similar RCA Type† | | | | | | | | | | | | | | | | | | | | | | | | | | | | | | | | | | | | | | | | | | | | | | | | | | | | | | | | | | | | | | | | | | | | | | | | | | | | | | | | | | | | | | | | | | | | | | | | | | | | | | | | | | | | | | | | | | | | | | | | | | | | | | | | | | | | | | | | | | | | | | | | | | | | | | | | | | | | | | | | | | | | | | | | | | | | | | | | | | | | | | | | | | | | | | | | | | | | | | | | | | | | | | | | | | | | | | | | | | | | | | | | | | | | | | | | | | | | | | | | | | | | | | | | | | | | | | | | | | | | | | | | | | | | | | | | | | | | | | | | | | | | | | | | | | | | | | | | | | | | | | | | | | | | | | | | | | | | | | | | | | | | | | | | | | | | | | | | | | | | | | | | | | | | | | | | | | | | | | | | | | | | | | | | | | | | | | | | | | | | | | | | | | | | | | | | | | | | | | | | | | | | | | | | | | | | | | | | | | | | | | | | | | | | | | | | | | | | | | | | | | | | | | | | | | | | | | | | | | | | | | | | | | | | | | | | | | | | | | | | | | | | | | | | | | | | | | | | | | | | | | | | | | | | | | | | | | | | | | | | | | | | | | | | | | | | | | | | | | | | | | | | | | | | | | | | | | | | | | | | | | | | | | | | | | | | | | | | | | | | | | | | | | | | | | | | | | | | | | | | | | | | | | | | | | | | | | | | | | | | | | | | | | | | | | | | | | | | | | | | | | | | | | | | | | | | | | | | | | | | | | | | | | | | | | | | | | | | | | | | | | | | | | | | | | | | | | | | | | | | | | | | | | | | | | | | | | | | | | | | | | | | | | | | | | | | | | | | | | | | | | | | | | | | | | | | | | | | | | | | | | | | | | | | | | | | | | | | | | | | | | | | | | | | | | | | | | | | | | | | | | | | | | | | | | | | | | | | | | | | | | | | | | | | | | | | | | | | | | | | | | | | | | | | | | | | | | | | | | | | | | | | | | | | | | | | | | | | | | | | | | | | | | | | | | | | | | | | | | | | | | | | | | | | | | | | | | | | | | | | | | | | | | | | | | | | | | | | | | | | | | | | | | | | | | | | | | | | | | | | | | | | | | | | | | | | | | | | | | | | | | | | | | | | | | | | | | | | | | | | | | | | |
| Mfr. Prefix | Basic Designation | Mfr. | Description | Class of Service | | | Mfr. Prefix | Basic Designation | Mfr. | Description | Class of Service | | | Mfr. Prefix | Basic Designation | Mfr. | Description | Class of Service | | | | | | | | | | | | | | | | | | | | | | | | | | | | | | | | | | | | | | | | | | | | | | | | | | | | | | | | | | | | | | | | | | | | | | | | | | | | | | | | | | | | | | | | | | | | | | | | | | | | | | | | | | | | | | | | | | | | | | | | | | | | | | | | | | | | | | | | | | | | | | | | | | | | | | | | | | | | | | | | | | | | | | | | | | | | | | | | | | | | | | | | | | | | | | | | | | | | | | | | | | | | | | | | | | | | | | | | | | | | | | | | | | | | | | | | | | | | | | | | | | | | | | | | | | | | | | | | | | | | | | | | | | | | | | | | | | | | | | | | | | | | | | | | | | | | | | | | | | | | | | | | | | | | | | | | | | | | | | | | | | | | | | | | | | | | | | | | | | | | | | | | | | | | | | | | | | | | | | | | | | | | | | | | | | | | | | | | | | | | | | | | | | | | | | | | | | | | | | | | | | | | | | | | | | | | | | | | | | | | | | | | | | | | | | | | | | | | | | | | | | | | | | | | | | | | | | | | | | | | | | | | | | | | | | | | | | | | | | | | | | | | | | | | | | | | | | | | | | | | | | | | | | | | | | | | | | | | | | | | | | | | | | | | | | | | | | | | | | | | | | | | | | | | | | | | | | | | | | | | | | | | | | | | | | | | | | | | | | | | | | | | | | | | | | | | | | | | | | | | | | | | | | | | | | | | | | | | | | | | | | | | | | | | | | | | | | | | | | | | | | | | | | | | | | | | | | | | | | | | | | | | | | | | | | | | | | | | | | | | | | | | | | | | | | | | | | | | | | | | | | | | | | | | | | | | | | | | | | | | | | | | | | | | | | | | | | | | | | | | | | | | | | | | | | | | | | | | | | | | | | | | | | | | | | | | | | | | | | | | | | | | | | | | | | | | | | | | | | | | | | | | | | | | | | | | | | | | | | | | | | | | | | | | | | | | | | | | | | | | | | | | | | | | | | | | | | | | | | | | | | | | | | | | | | | | | | | | | | | | | | | | | | | | | | | | | | | | | | | | | | | | | | | | | | | | | | | | | | | | | | | | | | | | | | | | | | | | | | | | | | | | | | | | | | | | | | | | | | | | | | | | | | | | | | | | | | | | | | | | | | | | | | | | | | | | | | | | | | | | | | | | | | |
| 2N1264 | SYL | GPA | AF Power Amp | AF Power Amp | 2N1300 | 2N1301 | ZJ | 16 | GE | SPA | AF Power Amp | 2N109 | RD | 317 | GPC | SNG | RF Amplifier | 2N109 | 2N109 | | | | | | | | | | | | | | | | | | | | | | | | | | | | | | | | | | | | | | | | | | | | | | | | | | | | | | | | | | | | | | | | | | | | | | | | | | | | | | | | | | | | | | | | | | | | | | | | | | | | | | | | | | | | | | | | | | | | | | | | | | | | | | | | | | | | | | | | | | | | | | | | | | | | | | | | | | | | | | | | | | | | | | | | | | | | | | | | | | | | | | | | | | | | | | | | | | | | | | | | | | | | | | | | | | | | | | | | | | | | | | | | | | | | | | | | | | | | | | | | | | | | | | | | | | | | | | | | | | | | | | | | | | | | | | | | | | | | | | | | | | | | | | | | | | | | | | | | | | | | | | | | | | | | | | | | | | | | | | | | | | | | | | | | | | | | | | | | | | | | | | | | | | | | | | | | | | | | | | | | | | | | | | | | | | | | | | | | | | | | | | | | | | | | | | | | | | | | | | | | | | | | | | | | | | | | | | | | | | | | | | | | | | | | | | | | | | | | | | | | | | | | | | | | | | | | | | | | | | | | | | | | | | | | | | | | | | | | | | | | | | | | | | | | | | | | | | | | | | | | | | | | | | | | | | | | | | | | | | | | | | | | | | | | | | | | | | | | | | | | | | | | | | | | | | | | | | | | | | | | | | | | | | | | | | | | | | | | | | | | | | | | | | | | | | | | | | | | | | | | | | | | | | | | | | | | | | | | | | | | | | | | | | | | | | | | | | | | | | | | | | | | | | | | | | | | | | | | | | | | | | | | | | | | | | | | | | | | | | | | | | | | | | | | | | | | | | | | | | | | | | | | | | | | | | | | | | | | | | | | | | | | | | | | | | | | | | | | | | | | | | | | | | | | | | | | | | | | | | | | | | | | | | | | | | | | | | | | | | | | | | | | | | | | | | | | | | | | | | | | | | | | | | | | | | | | | | | | | | | | | | | | | | | | | | | | | | | | | | | | | | | | | | | | | | | | | | | | | | | | | | | | | | | | | | | | | | | | | | | | | | | | | | | | | | | | | | | | | | | | | | | | | | | | | | | | | | | | | | | | | | | | | | | | | | | | | | | | | | | | | | | | | | | | | | | | | | | | | | | | | | | | | | | | | | | | | | | | | | | | | | | | | | | | | | | | | | | | | | | | | | | | | |
| 2N1265 | SYL | GPA | Oscillator | Oscillator | | | 2N1276 | GE | SPG | Switching | Switching | | 2N1277 | GE | SPG | Switching | Switching | | | 2N1278 | GE | SPG | Switching | Switching | 2N1279 | GE | SPG | Switching | Switching | 2N1291 | CBS | GPA | AF Amplifier | AF Amplifier | 2N1292 | CBS | GNA | AF Amplifier | AF Amplifier | 2N1293 | CBS | GPA | AF Amplifier | AF Amplifier | 2N1294 | CBS | GNA | AF Amplifier | AF Amplifier | 2N1295 | CBS | GPA | AF Amplifier | AF Amplifier | 2N1296 | CBS | GNA | AF Amplifier | AF Amplifier | 2N1297 | CBS | GPA | AF Amplifier | AF Amplifier | 2N1298 | CBS | GNA | AF Amplifier | AF Amplifier | 2N1299 | SYL | GNA | Switching | Switching | 2N1300 | RCA | GPJ | Switching | Switching | 2N1301 | RCA | GPJ | Switching | Switching | 2N1310 | CTC | GNA | General Use | General Use | 2N1320 | CBS | GPA | AF Amplifier | AF Amplifier | 2N1321 | CBS | GNA | AF Amplifier | AF Amplifier | 2N1322 | CBS | GPA | AF Amplifier | AF Amplifier | 2N1323 | CBS | GNA | AF Amplifier | AF Amplifier | 2N1324 | CBS | GPA | AF Amplifier | AF Amplifier | 2N1325 | CBS | GNA | AF Amplifier | AF Amplifier | 2N1326 | CBS | GPA | AF Amplifier | AF Amplifier | 2N1327 | CBS | GNA | AF Amplifier | AF Amplifier | 2N1328 | CBS | GPA | AF Amplifier | AF Amplifier | 2N1329 | CBS | GNA | AF Amplifier | AF Amplifier | 2N1330 | CBS | GPA | AF Amplifier | AF Amplifier | 2N1331 | CBS | GNA | AF Amplifier | AF Amplifier | 2N1332 | CBS | GPA | AF Amplifier | AF Amplifier | 2N1333 | CBS | GNA | AF Amplifier | AF Amplifier | 2N1334 | CBS | GPA | AF Amplifier | AF Amplifier | 2N1358 | DEL | GPA | General Use | General Use | 2N1395 | RCA | GPD | RF Amplifier | RF Amplifier | 2N1396 | RCA | GPD | RF Amplifier | RF Amplifier | 2N1397 | RCA | GPD | RF Amplifier | RF Amplifier | 2N1425 | RCA | GPD | IF Amplifier | IF Amplifier | 2N1426 | RCA | GPD | Converter | Converter | 2N1431 | SYL | GNA | AF Amplifier | AF Amplifier | 2N1432 | SYL | GPD | RF Amplifier | RF Amplifier | 2N1479 | RCA | SNJ | Power Switch | Power Switch | 2N1480 | RCA | SNJ | Power Switch | Power Switch | 2N1481 | RCA | SNJ | Power Switch | Power Switch | 2N1482 | RCA | SNJ | Power Switch | Power Switch | 2N1483 | RCA | SNJ | Power Switch | Power Switch | 2N1484 | RCA | SNJ | Power Switch | Power Switch | 2N1485 | RCA | SNJ | Power Switch | Power Switch | 2N1486 | RCA | SNJ | Power Switch | Power Switch | 2N1487 | RCA | SNJ | Power Switch | Power Switch | 2N1488 | RCA | SNJ | Power Switch | Power Switch | 2N1489 | RCA | SNJ | Power Switch | Power Switch | 2N1490 | RCA | SNJ | Power Switch | Power Switch | 3N22 | WHI | GNG | RF Amplifier | RF Amplifier | 3N23 | BOG | GNG | RF Amplifier | RF Amplifier | 3N23A | BOG | GNG | RF Amplifier | RF Amplifier | 3N23B | BOG | GNG | RF Amplifier | RF Amplifier | 3N23C | BOG | GNG | RF Amplifier | RF Amplifier | 3N25 | TI | GPJ | VHF Amp | VHF Amp | 3N26 | TI | SNG | RF Amplifier | RF Amplifier | 3N27 | TI | SNG | RF Amplifier | RF Amplifier | 3N29 | GE | GNA | RF Amplifier | RF Amplifier | 3N30 | GE | GNA | RF Amplifier | RF Amplifier | 3N31 | GE | GNA | RF Amplifier | RF Amplifier | 3N32 | TI | SNG | RF Amplifier | RF Amplifier | 3N33 | TI | SNG | RF Amplifier | RF Amplifier | 3N34 | TI | SNG | RF Amplifier | RF Amplifier | 3N35 | TI | SNG | RF Amplifier | RF Amplifier | 3N36 | GE | GNG | RF Amplifier | RF Amplifier | 3N37 | GE | GNG | RF Amplifier | RF Amplifier | 4JD1B2 | GE | GPA | Switching | Switching | 4JD1B3 | GE | GPA | Switching | Switching | 4JD1B4 | GE | GPA | Switching | Switching | 4JD4A2 | GE | GNG | IF Amplifier | IF Amplifier | 4JD4A3 | GE | GNG | Switching | Switching | 4JD4A4 | GE | GNG | IF Amplifier | IF Amplifier | 4JD4A5 | GE | GNG | RF Amplifier | RF Amplifier | 5A | SPR | GC | Switching | Switching | 5B | CTP | SD | Photo Use | Photo Use | 5C | CTP | SD | Photo Use | Photo Use | 8D | SPR | GPA | AF Amplifier | AF Amplifier | 8E | SPR | GPA | AF Amplifier | AF Amplifier | 8F | SPR | GPA | AF Amplifier | AF Amplifier | 10A | CTP | SD | Photo Use | Photo Use | 10A | SPR | GPA | AF Amplifier | AF Amplifier | 10B | CTP | SD | Photo Use | Photo Use | 10B | SPR | GPA | AF Amplifier | AF Amplifier | 10C | SPR | GPA | AF Amplifier | AF Amplifier | 11A | CTP | SO | Photo Use | Photo Use | 11B | CTP | SD | Photo Use | Photo Use | ZJ | 12 | GE | SNG | AF Amplifier | CK | 13 | RK | GPA | RF Amplifier | ZJ | 13 | GE | GNG | AF Amplifier | MN | 13A | MOT | GPA | AF Amplifier | MN | 13B | MOT | GPA | AF Amplifier | MN | 13C | MOT | GPA | AF Amplifier | ZJ | 13 | GE | GNG | AF Amplifier | CK | 14 | RK | GPA | RF Amplifier | GT | 14 | GTC | GPA | AF Amplifier | RR | 14 | RR | GPA | AF Amplifier | ZJ | 14 | GE | SD | Switching | ZJ | 14H | GTC | GPA | AF Amplifier | OC | 16 | AMP | GPA | AF Power Amp | ZJ | 16 | CK | RR | AF Power Amp | CK | 17 | RR | RR | AF Power Amp | MN | 19 | MOT | GPA | AF Amplifier | GT | 20 | GTC | GPA | AF Amplifier | RR | 20 | RR | GPA | AF Amplifier | GT | 20H | GTC | GPA | AF Amplifier | MN | 21 | MOT | GPA | AF Power Amp | RR | 21 | RR | GPA | AF Amplifier | GT | 24 | GTC | GPA | AF Amplifier | MN | 24 | MOT | GPA | AF Power Amp | MN | 25 | MOT | GPA | AF Power Amp | CK | 26 | RK | MOT | Switching | MN | 26 | MOT | GPA | AF Power Amp | MN | 28 | MOT | GPA | AF Power Amp | MN | 29 | MOT | GPA | AF Power Amp | GT | 34 | GTC | GPA | AF Amplifier | RR | 34 | RR | GPA | AF Amplifier | T | 34A | NU | GPA | AF Amplifier | T | 34B | NU | GPA | AF Amplifier | T | 34C | NU | GPA | AF Amplifier | T | 34D | NU | GPA | AF Amplifier | T | 34E | NU | GPA | AF Amplifier | T | 34F | NU | GPA | AF Amplifier | GT | 34HV | GTC | GPA | Switching | GT | 34S | GTC | GPA | Detector | GT | 38 | GTC | GPA | AF Amplifier | RR | 38 | RR | GPA | AF Amplifier | OC | 44 | AMP | GPA | RF Amplifier | OC | 45 | AMP | GPA | RF Amplifier | OC | 50 | AMP | GC | Oscillator | OC | 51 | AMP | GC | Switching | OC | 65 | AMP | GC | AF Amplifier | CT | 66 | GTC | GPA | Photo Use | OC | 66 | AMP | GPA | AF Amplifier | RR | 66 | RR | SD | AF Amplifier | OC | 70 | AMP | GPA | AF Amplifier | OC | 71 | AMP | GPA | RF Amplifier | OC | 72 | AMP | GMA | AF Amplifier | ZJ | 72 | GE | GNG | VHF Amplifier | OC | 73 | AMP | GPA | AF Amplifier | ZJ | 73 | GE | GNG | AF Amplifier | GT | 74 | GTC | GPA | AF Amplifier | GT | 75 | GTC | GPA | AF Amplifier | OC | 76 | AMP | GPA | Switching | GT | 81 | GTC | GPA | AF Amplifier | GT | 81H | GTC | GPA | AF Amplifier | GT | 81HS | GTC | GPA | AF Amplifier | GT | 82 | GTC | GPA | Switching | GT | 83 | GTC | GPA | Switching | GT | 87 | GTC | GPA | Switching | GT | 88 | GTC | GPA | Switching | DR | 100 | TS | GPA | AF Amplifier | DR | 101 | TS | GPA | AF Amplifier | DR | 102 | TS | GPA | AF Amplifier | GT | 109 | GTC | GPA | AF Amplifier | GT | 122 | GTC | GPA | Switching | GT | 123 | GTC | GPA | Switching | RR | 125 | RR | GPA | AF Amplifier | DR | 126 | TS | GPA | AF Amplifier | DR | 128 | TS | GPA | AF Amplifier | DR | 129 | TS | GPA | General Use | DR | 130 | TS | GPA | General Use | DR | 131 | TS | GPA | General Use | DR | 132 | TS | GPA | General Use | DR | 139 | TS | GPA | General Use | DR | 147 | TS | GPA | AF Power Amp | GT | 153 | GT | GPA | Switching | DR | 154 | TS | GPA | General Use | DR | 155 | TS | GPA | General Use | TS | 161 | TS | GMA | AF Amplifier | TS | 162 | TS | GMA | General Use | TS | 163 | TS | GPA | AF Amplifier | TS | 164 | TS | GPA | AF Amplifier | TS | 165 | TS | GPA | AF Amplifier | TS | 166 | TS | GPA | AF Amplifier | GT | 167 | GTC | GPA | Switching | TS | 176 | TS | GPA | AF Power Amp | 200 | TI | GNG | GPA | General Use | 201 | TI | GNG | GPA | General Use | 202 | TI | GNG | GPA | General Use | 206 | TI | GNG | GPA | AF Amplifier | 207 | TI | GNG | GPA | AF Amplifier | 208 | TI | GNG | GPA | AF Amplifier | GT | 210 | GTC | GPA | Switching | 210 | TI | GNG | GPA | AF Amplifier | 220 | TI | GNG | GPA | AF Amplifier | 221 | TI | GNG | GPA | IF Amplifier | GT | 222 | GTC | GPA | General Use | 222 | TI | GNG | GPA | IF Amplifier | 223 | TI | GNG | GPA | Converter | 224 | TI | GNG | GPA | Detector | 225 | TI | GNG | GPA | IF Amplifier | 227 | TI | GNG | GPA | IF Amplifier | 228 | TI | GNG | GPA | Detector | GT | 229 | GTC | GNA | AF Amplifier | 234 | TI | CNA | IF Amplifier | IF Amplifier | 235 | TI | GNA | GPA | Converter | GT | 269 | GTC | GPA | RF Amplifier | 301 | TI | GPA | AF Amplifier | AF Amplifier | 302 | TI | GPA | AF Amplifier | AF Amplifier | 310 | TI | GPA | AF Amplifier | AF Amplifier | 310 | TI | GPA | AF Amplifier | AF Amplifier |
| 2N1276 | GE | SPG | Switching | Switching | | | 2N1277 | GE | SPG | Switching | Switching | | 2N1278 | GE | SPG | Switching | Switching | | | 2N1279 | GE | SPG | Switching | Switching | 2N1291 | CBS | GPA | AF Amplifier | AF Amplifier | 2N1292 | CBS | GNA | AF Amplifier | AF Amplifier | 2N1293 | CBS | GPA | AF Amplifier | AF Amplifier | 2N1294 | CBS | GNA | AF Amplifier | AF Amplifier | 2N1295 | CBS | GPA | AF Amplifier | AF Amplifier | 2N1296 | CBS | GNA | AF Amplifier | AF Amplifier | 2N1297 | CBS | GPA | AF Amplifier | AF Amplifier | 2N1298 | CBS | GNA | AF Amplifier | AF Amplifier | 2N1299 | SYL | GNA | Switching | Switching | 2N1300 | RCA | GPJ | Switching | Switching | 2N1301 | RCA | GPJ | Switching | Switching | 2N1310 | CTC | GNA | General Use | General Use | 2N1320 | CBS | GPA | AF Amplifier | AF Amplifier | 2N1321 | CBS | GNA | AF Amplifier | AF Amplifier | 2N1322 | CBS | GPA | AF Amplifier | AF Amplifier | 2N1323 | CBS | GNA | AF Amplifier | AF Amplifier | 2N1324 | CBS | GPA | AF Amplifier | AF Amplifier | 2N1325 | CBS | GNA | AF Amplifier | AF Amplifier | 2N1326 | CBS | GPA | AF Amplifier | AF Amplifier | 2N1327 | CBS | GNA | AF Amplifier | AF Amplifier | 2N1328 | CBS | GPA | AF Amplifier | AF Amplifier | 2N1329 | CBS | GNA | AF Amplifier | AF Amplifier | 2N1330 | CBS | GPA | AF Amplifier | AF Amplifier | 2N1331 | CBS | GNA | AF Amplifier | AF Amplifier | 2N1332 | CBS | GPA | AF Amplifier | AF Amplifier | 2N1333 | CBS | GNA | AF Amplifier | AF Amplifier | 2N1334 | CBS | GPA | AF Amplifier | AF Amplifier | 2N1358 | DEL | GPA | General Use | General Use | 2N1395 | RCA | GPD | RF Amplifier | RF Amplifier | 2N1396 | RCA | GPD | RF Amplifier | RF Amplifier | 2N1397 | RCA | GPD | RF Amplifier | RF Amplifier | 2N1425 | RCA | GPD | IF Amplifier | IF Amplifier | 2N1426 | RCA | GPD | Converter | Converter | 2N1431 | SYL | GNA | AF Amplifier | AF Amplifier | 2N1432 | SYL | GPD | RF Amplifier | RF Amplifier | 2N1479 | RCA | SNJ | Power Switch | Power Switch | 2N1480 | RCA | SNJ | Power Switch | Power Switch | 2N1481 | RCA | SNJ | Power Switch | Power Switch | 2N1482 | RCA | SNJ | Power Switch | Power Switch | 2N1483 | RCA | SNJ | Power Switch | Power Switch | 2N1484 | RCA | SNJ | Power Switch | Power Switch | 2N1485 | RCA | SNJ | Power Switch | Power Switch | 2N1486 | RCA | SNJ | Power Switch | Power Switch | 2N1487 | RCA | SNJ | Power Switch | Power Switch | 2N1488 | RCA | SNJ | Power Switch | Power Switch | 2N1489 | RCA | SNJ | Power Switch | Power Switch | 2N1490 | RCA | SNJ | Power Switch | Power Switch | 3N22 | WHI | GNG | RF Amplifier | RF Amplifier | 3N23 | BOG | GNG | RF Amplifier | RF Amplifier | 3N23A | BOG | GNG | RF Amplifier | RF Amplifier | 3N23B | BOG | GNG | RF Amplifier | RF Amplifier | 3N23C | BOG | GNG | RF Amplifier | RF Amplifier | 3N25 | TI | GPJ | VHF Amp | VHF Amp | 3N26 | TI | SNG | RF Amplifier | RF Amplifier | 3N27 | TI | SNG | RF Amplifier | RF Amplifier | 3N29 | GE | GNA | RF Amplifier | RF Amplifier | 3N30 | GE | GNA | RF Amplifier | RF Amplifier | 3N31 | GE | GNA | RF Amplifier | RF Amplifier | 3N32 | TI | SNG | RF Amplifier | RF Amplifier | 3N33 | TI | SNG | RF Amplifier | RF Amplifier | 3N34 | TI | SNG | RF Amplifier | RF Amplifier | 3N35 | TI | SNG | RF Amplifier | RF Amplifier | 3N36 | GE | GNG | RF Amplifier | RF Amplifier | 3N37 | GE | GNG | RF Amplifier | RF Amplifier | 4JD1B2 | GE | GPA | Switching | Switching | 4JD1B3 | GE | GPA | Switching | Switching | 4JD1B4 | GE | GPA | Switching | Switching | 4JD4A2 | GE | GNG | IF Amplifier | IF Amplifier | 4JD4A3 | GE | GNG | Switching | Switching | 4JD4A4 | GE | GNG | IF Amplifier | IF Amplifier | 4JD4A5 | GE | GNG | RF Amplifier | RF Amplifier | 5A | SPR | GC | Switching | Switching | 5B | CTP | SD | Photo Use | Photo Use | 5C | CTP | SD | Photo Use | Photo Use | 8D | SPR | GPA | AF Amplifier | AF Amplifier | 8E | SPR | GPA | AF Amplifier | AF Amplifier | 8F | SPR | GPA | AF Amplifier | AF Amplifier | 10A | CTP | SD | Photo Use | Photo Use | 10A | SPR | GPA | AF Amplifier | AF Amplifier | 10B | CTP | SD | Photo Use | Photo Use | 10B | SPR | GPA | AF Amplifier | AF Amplifier | 10C | SPR | GPA | AF Amplifier | AF Amplifier | 11A | CTP | SO | Photo Use | Photo Use | 11B | CTP | SD | Photo Use | Photo Use | ZJ | 12 | GE | SNG | AF Amplifier | CK | 13 | RK | GPA | RF Amplifier | ZJ | 13 | GE | GNG | AF Amplifier | MN | 13A | MOT | GPA | AF Amplifier | MN | 13B | MOT | GPA | AF Amplifier | MN | 13C | MOT | GPA | AF Amplifier | ZJ | 13 | GE | GNG | AF Amplifier | CK | 14 | RK | GPA | RF Amplifier | GT | 14 | GTC | GPA | AF Amplifier | RR | 14 | RR | GPA | AF Amplifier | ZJ | 14 | GE | SD | Switching | ZJ | 14H | GTC | GPA | AF Amplifier | OC | 16 | AMP | GPA | AF Power Amp | ZJ | 16 | CK | RR | AF Power Amp | CK | 17 | RR | RR | AF Power Amp | MN | 19 | MOT | GPA | AF Amplifier | GT | 20 | GTC | GPA | AF Amplifier | RR | 20 | RR | GPA | AF Amplifier | GT | 20H | GTC | GPA | AF Amplifier | MN | 21 | MOT | GPA | AF Power Amp | RR | 21 | RR | GPA | AF Amplifier | GT | 24 | GTC | GPA | AF Amplifier | MN | 24 | MOT | GPA | AF Power Amp | MN | 25 | MOT | GPA | AF Power Amp | CK | 26 | RK | MOT | Switching | MN | 26 | MOT | GPA | AF Power Amp | MN | 28 | MOT | GPA | AF Power Amp | MN | 29 | MOT | GPA | AF Power Amp | GT | 34 | GTC | GPA | AF Amplifier | RR | 34 | RR | GPA | AF Amplifier | T | 34A | NU | GPA | AF Amplifier | T | 34B | NU | GPA | AF Amplifier | T | 34C | NU | GPA | AF Amplifier | T | 34D | NU | GPA | AF Amplifier | T | 34E | NU | GPA | AF Amplifier | T | 34F | NU | GPA | AF Amplifier | GT | 34HV | GTC | GPA | Switching | GT | 34S | GTC | GPA | Detector | GT | 38 | GTC | GPA | AF Amplifier | RR | 38 | RR | GPA | AF Amplifier | OC | 44 | AMP | GPA | RF Amplifier | OC | 45 | AMP | GPA | RF Amplifier | OC | 50 | AMP | GC | Oscillator | OC | 51 | AMP | GC | Switching | OC | 65 | AMP | GC | AF Amplifier | CT | 66 | GTC | GPA | Photo Use | OC | 66 | AMP | GPA | AF Amplifier | RR | 66 | RR | SD | AF Amplifier | OC | 70 | AMP | GPA | AF Amplifier | OC | 71 | AMP | GPA | RF Amplifier | OC | 72 | AMP | GMA | AF Amplifier | ZJ | 72 | GE | GNG | VHF Amplifier | OC | 73 | AMP | GPA | AF Amplifier | ZJ | 73 | GE | GNG | AF Amplifier | GT | 74 | GTC | GPA | AF Amplifier | GT | 75 | GTC | GPA | AF Amplifier | OC | 76 | AMP | GPA | Switching | GT | 81 | GTC | GPA | AF Amplifier | GT | 81H | GTC | GPA | AF Amplifier | GT | 81HS | GTC | GPA | AF Amplifier | GT | 82 | GTC | GPA | Switching | GT | 83 | GTC | GPA | Switching | GT | 87 | GTC | GPA | Switching | GT | 88 | GTC | GPA | Switching | DR | 100 | TS | GPA | AF Amplifier | DR | 101 | TS | GPA | AF Amplifier | DR | 102 | TS | GPA | AF Amplifier | GT | 109 | GTC | GPA | AF Amplifier | GT | 122 | GTC | GPA | Switching | GT | 123 | GTC | GPA | Switching | RR | 125 | RR | GPA | AF Amplifier | DR | 126 | TS | GPA | AF Amplifier | DR | 128 | TS | GPA | AF Amplifier | DR | 129 | TS | GPA | General Use | DR | 130 | TS | GPA | General Use | DR | 131 | TS | GPA | General Use | DR | 132 | TS | GPA | General Use | DR | 139 | TS | GPA | General Use | DR | 147 | TS | GPA | AF Power Amp | GT | 153 | GT | GPA | Switching | DR | 154 | TS | GPA | General Use | DR | 155 | TS | GPA | General Use | TS | 161 | TS | GMA | AF Amplifier | TS | 162 | TS | GMA | General Use | TS | 163 | TS | GPA | AF Amplifier | TS | 164 | TS | GPA | AF Amplifier | TS | 165 | TS | GPA | AF Amplifier | TS | 166 | TS | GPA | AF Amplifier | GT | 167 | GTC | GPA | Switching | TS | 176 | TS | GPA | AF Power Amp | 200 | TI | GNG | GPA | General Use | 201 | TI | GNG | GPA | General Use | 202 | TI | GNG | GPA | General Use | 206 | TI | GNG | GPA | AF Amplifier | 207 | TI | GNG | GPA | AF Amplifier | 208 | TI | GNG | GPA | AF Amplifier | GT | 210 | GTC | GPA | Switching | 210 | TI | GNG | GPA | AF Amplifier | 220 | TI | GNG | GPA | AF Amplifier | 221 | TI | GNG | GPA | IF Amplifier | GT | 222 | GTC | GPA | General Use | 222 | TI | GNG | GPA | IF Amplifier | 223 | TI | GNG | GPA | Converter | 224 | TI | GNG | GPA | Detector | 225 | TI | GNG | GPA | IF Amplifier | 227 | TI | GNG | GPA | IF Amplifier | 228 | TI | GNG | GPA | Detector | GT | 229 | GTC | GNA | AF Amplifier | 234 | TI | CNA | IF Amplifier | IF Amplifier | 235 | TI | GNA | GPA | Converter | GT | 269 | GTC | GPA | RF Amplifier | 301 | TI | GPA | AF Amplifier | AF Amplifier | 302 | TI | GPA | AF Amplifier | AF Amplifier | 310 | TI | GPA | AF Amplifier | AF Amplifier | 310 | TI | GPA | AF Amplifier | AF Amplifier | | | | | |
| 2N1277 | GE | SPG | Switching | Switching | | | 2N1278 | GE | SPG | Switching | Switching | | 2N1279 | GE | SPG | Switching | Switching | | | 2N1291 | CBS | GPA | AF Amplifier | AF Amplifier | 2N1292 | CBS | GNA | AF Amplifier | AF Amplifier | 2N1293 | CBS | GPA | AF Amplifier | AF Amplifier | 2N1294 | CBS | GNA | AF Amplifier | AF Amplifier | 2N1295 | CBS | GPA | AF Amplifier | AF Amplifier | 2N1296 | CBS | GNA | AF Amplifier | AF Amplifier | 2N1297 | CBS | GPA | AF Amplifier | AF Amplifier | 2N1298 | CBS | GNA | AF Amplifier | AF Amplifier | 2N1299 | SYL | GNA | Switching | Switching | 2N1300 | RCA | GPJ | Switching | Switching | 2N1301 | RCA | GPJ | Switching | Switching | 2N1310 | CTC | GNA | General Use | General Use | 2N1320 | CBS | GPA | AF Amplifier | AF Amplifier | 2N1321 | CBS | GNA | AF Amplifier | AF Amplifier | 2N1322 | CBS | GPA | AF Amplifier | AF Amplifier | 2N1323 | CBS | GNA | AF Amplifier | AF Amplifier | 2N1324 | CBS | GPA | AF Amplifier | AF Amplifier | 2N1325 | CBS | GNA | AF Amplifier | AF Amplifier | 2N1326 | CBS | GPA | AF Amplifier | AF Amplifier | 2N1327 | CBS | GNA | AF Amplifier | AF Amplifier | 2N1328 | CBS | GPA | AF Amplifier | AF Amplifier | 2N1329 | CBS | GNA | AF Amplifier | AF Amplifier | 2N1330 | CBS | GPA | AF Amplifier | AF Amplifier | 2N1331 | CBS | GNA | AF Amplifier | AF Amplifier | 2N1332 | CBS | GPA | AF Amplifier | AF Amplifier | 2N1333 | CBS | GNA | AF Amplifier | AF Amplifier | 2N1334 | CBS | GPA | AF Amplifier | AF Amplifier | 2N1358 | DEL | GPA | General Use | General Use | 2N1395 | RCA | GPD | RF Amplifier | RF Amplifier | 2N1396 | RCA | GPD | RF Amplifier | RF Amplifier | 2N1397 | RCA | GPD | RF Amplifier | RF Amplifier | 2N1425 | RCA | GPD | IF Amplifier | IF Amplifier | 2N1426 | RCA | GPD | Converter | Converter | 2N1431 | SYL | GNA | AF Amplifier | AF Amplifier | 2N1432 | SYL | GPD | RF Amplifier | RF Amplifier | 2N1479 | RCA | SNJ | Power Switch | Power Switch | 2N1480 | RCA | SNJ | Power Switch | Power Switch | 2N1481 | RCA | SNJ | Power Switch | Power Switch | 2N1482 | RCA | SNJ | Power Switch | Power Switch | 2N1483 | RCA | SNJ | Power Switch | Power Switch | 2N1484 | RCA | SNJ | Power Switch | Power Switch | 2N1485 | RCA | SNJ | Power Switch | Power Switch | 2N1486 | RCA | SNJ | Power Switch | Power Switch | 2N1487 | RCA | SNJ | Power Switch | Power Switch | 2N1488 | RCA | SNJ | Power Switch | Power Switch | 2N1489 | RCA | SNJ | Power Switch | Power Switch | 2N1490 | RCA | SNJ | Power Switch | Power Switch | 3N22 | WHI | GNG | RF Amplifier | RF Amplifier | 3N23 | BOG | GNG | RF Amplifier | RF Amplifier | 3N23A | BOG | GNG | RF Amplifier | RF Amplifier | 3N23B | BOG | GNG | RF Amplifier | RF Amplifier | 3N23C | BOG | GNG | RF Amplifier | RF Amplifier | 3N25 | TI | GPJ | VHF Amp | VHF Amp | 3N26 | TI | SNG | RF Amplifier | RF Amplifier | 3N27 | TI | SNG | RF Amplifier | RF Amplifier | 3N29 | GE | GNA | RF Amplifier | RF Amplifier | 3N30 | GE | GNA | RF Amplifier | RF Amplifier | 3N31 | GE | GNA | RF Amplifier | RF Amplifier | 3N32 | TI | SNG | RF Amplifier | RF Amplifier | 3N33 | TI | SNG | RF Amplifier | RF Amplifier | 3N34 | TI | SNG | RF Amplifier | RF Amplifier | 3N35 | TI | SNG | RF Amplifier | RF Amplifier | 3N36 | GE | GNG | RF Amplifier | RF Amplifier | 3N37 | GE | GNG | RF Amplifier | RF Amplifier | 4JD1B2 | GE | GPA | Switching | Switching | 4JD1B3 | GE | GPA | Switching | Switching | 4JD1B4 | GE | GPA | Switching | Switching | 4JD4A2 | GE | GNG | IF Amplifier | IF Amplifier | 4JD4A3 | GE | GNG | Switching | Switching | 4JD4A4 | GE | GNG | IF Amplifier | IF Amplifier | 4JD4A5 | GE | GNG | RF Amplifier | RF Amplifier | 5A | SPR | GC | Switching | Switching | 5B | CTP | SD | Photo Use | Photo Use | 5C | CTP | SD | Photo Use | Photo Use | 8D | SPR | GPA | AF Amplifier | AF Amplifier | 8E | SPR | GPA | AF Amplifier | AF Amplifier | 8F | SPR | GPA | AF Amplifier | AF Amplifier | 10A | CTP | SD | Photo Use | Photo Use | 10A | SPR | GPA | AF Amplifier | AF Amplifier | 10B | CTP | SD | Photo Use | Photo Use | 10B | SPR | GPA | AF Amplifier | AF Amplifier | 10C | SPR | GPA | AF Amplifier | AF Amplifier | 11A | CTP | SO | Photo Use | Photo Use | 11B | CTP | SD | Photo Use | Photo Use | ZJ | 12 | GE | SNG | AF Amplifier | CK | 13 | RK | GPA | RF Amplifier | ZJ | 13 | GE | GNG | AF Amplifier | MN | 13A | MOT | GPA | AF Amplifier | MN | 13B | MOT | GPA | AF Amplifier | MN | 13C | MOT | GPA | AF Amplifier | ZJ | 13 | GE | GNG | AF Amplifier | CK | 14 | RK | GPA | RF Amplifier | GT | 14 | GTC | GPA | AF Amplifier | RR | 14 | RR | GPA | AF Amplifier | ZJ | 14 | GE | SD | Switching | ZJ | 14H | GTC | GPA | AF Amplifier | OC | 16 | AMP | GPA | AF Power Amp | ZJ | 16 | CK | RR | AF Power Amp | CK | 17 | RR | RR | AF Power Amp | MN | 19 | MOT | GPA | AF Amplifier | GT | 20 | GTC | GPA | AF Amplifier | RR | 20 | RR | GPA | AF Amplifier | GT | 20H | GTC | GPA | AF Amplifier | MN | 21 | MOT | GPA | AF Power Amp | RR | 21 | RR | GPA | AF Amplifier | GT | 24 | GTC | GPA | AF Amplifier | MN | 24 | MOT | GPA | AF Power Amp | MN | 25 | MOT | GPA | AF Power Amp | CK | 26 | RK | MOT | Switching | MN | 26 | MOT | GPA | AF Power Amp | MN | 28 | MOT | GPA | AF Power Amp | MN | 29 | MOT | GPA | AF Power Amp | GT | 34 | GTC | GPA | AF Amplifier | RR | 34 | RR | GPA | AF Amplifier | T | 34A | NU | GPA | AF Amplifier | T | 34B | NU | GPA | AF Amplifier | T | 34C | NU | GPA | AF Amplifier | T | 34D | NU | GPA | AF Amplifier | T | 34E | NU | GPA | AF Amplifier | T | 34F | NU | GPA | AF Amplifier | GT | 34HV | GTC | GPA | Switching | GT | 34S | GTC | GPA | Detector | GT | 38 | GTC | GPA | AF Amplifier | RR | 38 | RR | GPA | AF Amplifier | OC | 44 | AMP | GPA | RF Amplifier | OC | 45 | AMP | GPA | RF Amplifier | OC | 50 | AMP | GC | Oscillator | OC | 51 | AMP | GC | Switching | OC | 65 | AMP | GC | AF Amplifier | CT | 66 | GTC | GPA | Photo Use | OC | 66 | AMP | GPA | AF Amplifier | RR | 66 | RR | SD | AF Amplifier | OC | 70 | AMP | GPA | AF Amplifier | OC | 71 | AMP | GPA | RF Amplifier | OC | 72 | AMP | GMA | AF Amplifier | ZJ | 72 | GE | GNG | VHF Amplifier | OC | 73 | AMP | GPA | AF Amplifier | ZJ | 73 | GE | GNG | AF Amplifier | GT | 74 | GTC | GPA | AF Amplifier | GT | 75 | GTC | GPA | AF Amplifier | OC | 76 | AMP | GPA | Switching | GT | 81 | GTC | GPA | AF Amplifier | GT | 81H | GTC | GPA | AF Amplifier | GT | 81HS | GTC | GPA | AF Amplifier | GT | 82 | GTC | GPA | Switching | GT | 83 | GTC | GPA | Switching | GT | 87 | GTC | GPA | Switching | GT | 88 | GTC | GPA | Switching | DR | 100 | TS | GPA | AF Amplifier | DR | 101 | TS | GPA | AF Amplifier | DR | 102 | TS | GPA | AF Amplifier | GT | 109 | GTC | GPA | AF Amplifier | GT | 122 | GTC | GPA | Switching | GT | 123 | GTC | GPA | Switching | RR | 125 | RR | GPA | AF Amplifier | DR | 126 | TS | GPA | AF Amplifier | DR | 128 | TS | GPA | AF Amplifier | DR | 129 | TS | GPA | General Use | DR | 130 | TS | GPA | General Use | DR | 131 | TS | GPA | General Use | DR | 132 | TS | GPA | General Use | DR | 139 | TS | GPA | General Use | DR | 147 | TS | GPA | AF Power Amp | GT | 153 | GT | GPA | Switching | DR | 154 | TS | GPA | General Use | DR | 155 | TS | GPA | General Use | TS | 161 | TS | GMA | AF Amplifier | TS | 162 | TS | GMA | General Use | TS | 163 | TS | GPA | AF Amplifier | TS | 164 | TS | GPA | AF Amplifier | TS | 165 | TS | GPA | AF Amplifier | TS | 166 | TS | GPA | AF Amplifier | GT | 167 | GTC | GPA | Switching | TS | 176 | TS | GPA | AF Power Amp | 200 | TI | GNG | GPA | General Use | 201 | TI | GNG | GPA | General Use | 202 | TI | GNG | GPA | General Use | 206 | TI | GNG | GPA | AF Amplifier | 207 | TI | GNG | GPA | AF Amplifier | 208 | TI | GNG | GPA | AF Amplifier | GT | 210 | GTC | GPA | Switching | 210 | TI | GNG | GPA | AF Amplifier | 220 | TI | GNG | GPA | AF Amplifier | 221 | TI | GNG | GPA | IF Amplifier | GT | 222 | GTC | GPA | General Use | 222 | TI | GNG | GPA | IF Amplifier | 223 | TI | GNG | GPA | Converter | 224 | TI | GNG | GPA | Detector | 225 | TI | GNG | GPA | IF Amplifier | 227 | TI | GNG | GPA | IF Amplifier | 228 | TI | GNG | GPA | Detector | GT | 229 | GTC | GNA | AF Amplifier | 234 | TI | CNA | IF Amplifier | IF Amplifier | 235 | TI | GNA | GPA | Converter | GT | 269 | GTC | GPA | RF Amplifier | 301 | TI | GPA | AF Amplifier | AF Amplifier | 302 | TI | GPA | AF Amplifier | AF Amplifier | 310 | TI | GPA | AF Amplifier | AF Amplifier | 310 | TI | GPA | AF Amplifier | AF Amplifier | | | | | | | | | | |
| 2N1278 | GE | SPG | Switching | Switching | | | 2N1279 | GE | SPG | Switching | Switching | | 2N1291 | CBS | GPA | AF Amplifier | AF Amplifier | | | 2N1292 | CBS | GNA | AF Amplifier | AF Amplifier | 2N1293 | CBS | GPA | AF Amplifier | AF Amplifier | 2N1294 | CBS | GNA | AF Amplifier | AF Amplifier | 2N1295 | CBS | GPA | AF Amplifier | AF Amplifier | 2N1296 | CBS | GNA | AF Amplifier | AF Amplifier | 2N1297 | CBS | GPA | AF Amplifier | AF Amplifier | 2N1298 | CBS | GNA | AF Amplifier | AF Amplifier | 2N1299 | SYL | GNA | Switching | Switching | 2N1300 | RCA | GPJ | Switching | Switching | 2N1301 | RCA | GPJ | Switching | Switching | 2N1310 | CTC | GNA | General Use | General Use | 2N1320 | CBS | GPA | AF Amplifier | AF Amplifier | 2N1321 | CBS | GNA | AF Amplifier | AF Amplifier | 2N1322 | CBS | GPA | AF Amplifier | AF Amplifier | 2N1323 | CBS | GNA | AF Amplifier | AF Amplifier | 2N1324 | CBS | GPA | AF Amplifier | AF Amplifier | 2N1325 | CBS | GNA | AF Amplifier | AF Amplifier | 2N1326 | CBS | GPA | AF Amplifier | AF Amplifier | 2N1327 | CBS | GNA | AF Amplifier | AF Amplifier | 2N1328 | CBS | GPA | AF Amplifier | AF Amplifier | 2N1329 | CBS | GNA | AF Amplifier | AF Amplifier | 2N1330 | CBS | GPA | AF Amplifier | AF Amplifier | 2N1331 | CBS | GNA | AF Amplifier | AF Amplifier | 2N1332 | CBS | GPA | AF Amplifier | AF Amplifier | 2N1333 | CBS | GNA | AF Amplifier | AF Amplifier | 2N1334 | CBS | GPA | AF Amplifier | AF Amplifier | 2N1358 | DEL | GPA | General Use | General Use | 2N1395 | RCA | GPD | RF Amplifier | RF Amplifier | 2N1396 | RCA | GPD | RF Amplifier | RF Amplifier | 2N1397 | RCA | GPD | RF Amplifier | RF Amplifier | 2N1425 | RCA | GPD | IF Amplifier | IF Amplifier | 2N1426 | RCA | GPD | Converter | Converter | 2N1431 | SYL | GNA | AF Amplifier | AF Amplifier | 2N1432 | SYL | GPD | RF Amplifier | RF Amplifier | 2N1479 | RCA | SNJ | Power Switch | Power Switch | 2N1480 | RCA | SNJ | Power Switch | Power Switch | 2N1481 | RCA | SNJ | Power Switch | Power Switch | 2N1482 | RCA | SNJ | Power Switch | Power Switch | 2N1483 | RCA | SNJ | Power Switch | Power Switch | 2N1484 | RCA | SNJ | Power Switch | Power Switch | 2N1485 | RCA | SNJ | Power Switch | Power Switch | 2N1486 | RCA | SNJ | Power Switch | Power Switch | 2N1487 | RCA | SNJ | Power Switch | Power Switch | 2N1488 | RCA | SNJ | Power Switch | Power Switch | 2N1489 | RCA | SNJ | Power Switch | Power Switch | 2N1490 | RCA | SNJ | Power Switch | Power Switch | 3N22 | WHI | GNG | RF Amplifier | RF Amplifier | 3N23 | BOG | GNG | RF Amplifier | RF Amplifier | 3N23A | BOG | GNG | RF Amplifier | RF Amplifier | 3N23B | BOG | GNG | RF Amplifier | RF Amplifier | 3N23C | BOG | GNG | RF Amplifier | RF Amplifier | 3N25 | TI | GPJ | VHF Amp | VHF Amp | 3N26 | TI | SNG | RF Amplifier | RF Amplifier | 3N27 | TI | SNG | RF Amplifier | RF Amplifier | 3N29 | GE | GNA | RF Amplifier | RF Amplifier | 3N30 | GE | GNA | RF Amplifier | RF Amplifier | 3N31 | GE | GNA | RF Amplifier | RF Amplifier | 3N32 | TI | SNG | RF Amplifier | RF Amplifier | 3N33 | TI | SNG | RF Amplifier | RF Amplifier | 3N34 | TI | SNG | RF Amplifier | RF Amplifier | 3N35 | TI | SNG | RF Amplifier | RF Amplifier | 3N36 | GE | GNG | RF Amplifier | RF Amplifier | 3N37 | GE | GNG | RF Amplifier | RF Amplifier | 4JD1B2 | GE | GPA | Switching | Switching | 4JD1B3 | GE | GPA | Switching | Switching | 4JD1B4 | GE | GPA | Switching | Switching | 4JD4A2 | GE | GNG | IF Amplifier | IF Amplifier | 4JD4A3 | GE | GNG | Switching | Switching | 4JD4A4 | GE | GNG | IF Amplifier | IF Amplifier | 4JD4A5 | GE | GNG | RF Amplifier | RF Amplifier | 5A | SPR | GC | Switching | Switching | 5B | CTP | SD | Photo Use | Photo Use | 5C | CTP | SD | Photo Use | Photo Use | 8D | SPR | GPA | AF Amplifier | AF Amplifier | 8E | SPR | GPA | AF Amplifier | AF Amplifier | 8F | SPR | GPA | AF Amplifier | AF Amplifier | 10A | CTP | SD | Photo Use | Photo Use | 10A | SPR | GPA | AF Amplifier | AF Amplifier | 10B | CTP | SD | Photo Use | Photo Use | 10B | SPR | GPA | AF Amplifier | AF Amplifier | 10C | SPR | GPA | AF Amplifier | AF Amplifier | 11A | CTP | SO | Photo Use | Photo Use | 11B | CTP | SD | Photo Use | Photo Use | ZJ | 12 | GE | SNG | AF Amplifier | CK | 13 | RK | GPA | RF Amplifier | ZJ | 13 | GE | GNG | AF Amplifier | MN | 13A | MOT | GPA | AF Amplifier | MN | 13B | MOT | GPA | AF Amplifier | MN | 13C | MOT | GPA | AF Amplifier | ZJ | 13 | GE | GNG | AF Amplifier | CK | 14 | RK | GPA | RF Amplifier | GT | 14 | GTC | GPA | AF Amplifier | RR | 14 | RR | GPA | AF Amplifier | ZJ | 14 | GE | SD | Switching | ZJ | 14H | GTC | GPA | AF Amplifier | OC | 16 | AMP | GPA | AF Power Amp | ZJ | 16 | CK | RR | AF Power Amp | CK | 17 | RR | RR | AF Power Amp | MN | 19 | MOT | GPA | AF Amplifier | GT | 20 | GTC | GPA | AF Amplifier | RR | 20 | RR | GPA | AF Amplifier | GT | 20H | GTC | GPA | AF Amplifier | MN | 21 | MOT | GPA | AF Power Amp | RR | 21 | RR | GPA | AF Amplifier | GT | 24 | GTC | GPA | AF Amplifier | MN | 24 | MOT | GPA | AF Power Amp | MN | 25 | MOT | GPA | AF Power Amp | CK | 26 | RK | MOT | Switching | MN | 26 | MOT | GPA | AF Power Amp | MN | 28 | MOT | GPA | AF Power Amp | MN | 29 | MOT | GPA | AF Power Amp | GT | 34 | GTC | GPA | AF Amplifier | RR | 34 | RR | GPA | AF Amplifier | T | 34A | NU | GPA | AF Amplifier | T | 34B | NU | GPA | AF Amplifier | T | 34C | NU | GPA | AF Amplifier | T | 34D | NU | GPA | AF Amplifier | T | 34E | NU | GPA | AF Amplifier | T | 34F | NU | GPA | AF Amplifier | GT | 34HV | GTC | GPA | Switching | GT | 34S | GTC | GPA | Detector | GT | 38 | GTC | GPA | AF Amplifier | RR | 38 | RR | GPA | AF Amplifier | OC | 44 | AMP | GPA | RF Amplifier | OC | 45 | AMP | GPA | RF Amplifier | OC | 50 | AMP | GC | Oscillator | OC | 51 | AMP | GC | Switching | OC | 65 | AMP | GC | AF Amplifier | CT | 66 | GTC | GPA | Photo Use | OC | 66 | AMP | GPA | AF Amplifier | RR | 66 | RR | SD | AF Amplifier | OC | 70 | AMP | GPA | AF Amplifier | OC | 71 | AMP | GPA | RF Amplifier | OC | 72 | AMP | GMA | AF Amplifier | ZJ | 72 | GE | GNG | VHF Amplifier | OC | 73 | AMP | GPA | AF Amplifier | ZJ | 73 | GE | GNG | AF Amplifier | GT | 74 | GTC | GPA | AF Amplifier | GT | 75 | GTC | GPA | AF Amplifier | OC | 76 | AMP | GPA | Switching | GT | 81 | GTC | GPA | AF Amplifier | GT | 81H | GTC | GPA | AF Amplifier | GT | 81HS | GTC | GPA | AF Amplifier | GT | 82 | GTC | GPA | Switching | GT | 83 | GTC | GPA | Switching | GT | 87 | GTC | GPA | Switching | GT | 88 | GTC | GPA | Switching | DR | 100 | TS | GPA | AF Amplifier | DR | 101 | TS | GPA | AF Amplifier | DR | 102 | TS | GPA | AF Amplifier | GT | 109 | GTC | GPA | AF Amplifier | GT | 122 | GTC | GPA | Switching | GT | 123 | GTC | GPA | Switching | RR | 125 | RR | GPA | AF Amplifier | DR | 126 | TS | GPA | AF Amplifier | DR | 128 | TS | GPA | AF Amplifier | DR | 129 | TS | GPA | General Use | DR | 130 | TS | GPA | General Use | DR | 131 | TS | GPA | General Use | DR | 132 | TS | GPA | General Use | DR | 139 | TS | GPA | General Use | DR | 147 | TS | GPA | AF Power Amp | GT | 153 | GT | GPA | Switching | DR | 154 | TS | GPA | General Use | DR | 155 | TS | GPA | General Use | TS | 161 | TS | GMA | AF Amplifier | TS | 162 | TS | GMA | General Use | TS | 163 | TS | GPA | AF Amplifier | TS | 164 | TS | GPA | AF Amplifier | TS | 165 | TS | GPA | AF Amplifier | TS | 166 | TS | GPA | AF Amplifier | GT | 167 | GTC | GPA | Switching | TS | 176 | TS | GPA | AF Power Amp | 200 | TI | GNG | GPA | General Use | 201 | TI | GNG | GPA | General Use | 202 | TI | GNG | GPA | General Use | 206 | TI | GNG | GPA | AF Amplifier | 207 | TI | GNG | GPA | AF Amplifier | 208 | TI | GNG | GPA | AF Amplifier | GT | 210 | GTC | GPA | Switching | 210 | TI | GNG | GPA | AF Amplifier | 220 | TI | GNG | GPA | AF Amplifier | 221 | TI | GNG | GPA | IF Amplifier | GT | 222 | GTC | GPA | General Use | 222 | TI | GNG | GPA | IF Amplifier | 223 | TI | GNG | GPA | Converter | 224 | TI | GNG | GPA | Detector | 225 | TI | GNG | GPA | IF Amplifier | 227 | TI | GNG | GPA | IF Amplifier | 228 | TI | GNG | GPA | Detector | GT | 229 | GTC | GNA | AF Amplifier | 234 | TI | CNA | IF Amplifier | IF Amplifier | 235 | TI | GNA | GPA | Converter | GT | 269 | GTC | GPA | RF Amplifier | 301 | TI | GPA | AF Amplifier | AF Amplifier | 302 | TI | GPA | AF Amplifier | AF Amplifier | 310 | TI | GPA | AF Amplifier | AF Amplifier | 310 | TI | GPA | AF Amplifier | AF Amplifier | | | | | | | | | | | | | | | |
| 2N1279 | GE | SPG | Switching | Switching | | | 2N1291 | CBS | GPA | AF Amplifier | AF Amplifier | | 2N1292 | CBS | GNA | AF Amplifier | AF Amplifier | | | 2N1293 | CBS | GPA | AF Amplifier | AF Amplifier | 2N1294 | CBS | GNA | AF Amplifier | AF Amplifier | 2N1295 | CBS | GPA | AF Amplifier | AF Amplifier | 2N1296 | CBS | GNA | AF Amplifier | AF Amplifier | 2N1297 | CBS | GPA | AF Amplifier | AF Amplifier | 2N1298 | CBS | GNA | AF Amplifier | AF Amplifier | 2N1299 | SYL | GNA | Switching | Switching | 2N1300 | RCA | GPJ | Switching | Switching | 2N1301 | RCA | GPJ | Switching | Switching | 2N1310 | CTC | GNA | General Use | General Use | 2N1320 | CBS | GPA | AF Amplifier | AF Amplifier | 2N1321 | CBS | GNA | AF Amplifier | AF Amplifier | 2N1322 | CBS | GPA | AF Amplifier | AF Amplifier | 2N1323 | CBS | GNA | AF Amplifier | AF Amplifier | 2N1324 | CBS | GPA | AF Amplifier | AF Amplifier | 2N1325 | CBS | GNA | AF Amplifier | AF Amplifier | 2N1326 | CBS | GPA | AF Amplifier | AF Amplifier | 2N1327 | CBS | GNA | AF Amplifier | AF Amplifier | 2N1328 | CBS | GPA | AF Amplifier | AF Amplifier | 2N1329 | CBS | GNA | AF Amplifier | AF Amplifier | 2N1330 | CBS | GPA | AF Amplifier | AF Amplifier | 2N1331 | CBS | GNA | AF Amplifier | AF Amplifier | 2N1332 | CBS | GPA | AF Amplifier | AF Amplifier | 2N1333 | CBS | GNA | AF Amplifier | AF Amplifier | 2N1334 | CBS | GPA | AF Amplifier | AF Amplifier | 2N1358 | DEL | GPA | General Use | General Use | 2N1395 | RCA | GPD | RF Amplifier | RF Amplifier | 2N1396 | RCA | GPD | RF Amplifier | RF Amplifier | 2N1397 | RCA | GPD | RF Amplifier | RF Amplifier | 2N1425 | RCA | GPD | IF Amplifier | IF Amplifier | 2N1426 | RCA | GPD | Converter | Converter | 2N1431 | SYL | GNA | AF Amplifier | AF Amplifier | 2N1432 | SYL | GPD | RF Amplifier | RF Amplifier | 2N1479 | RCA | SNJ | Power Switch | Power Switch | 2N1480 | RCA | SNJ | Power Switch | Power Switch | 2N1481 | RCA | SNJ | Power Switch | Power Switch | 2N1482 | RCA | SNJ | Power Switch | Power Switch | 2N1483 | RCA | SNJ | Power Switch | Power Switch | 2N1484 | RCA | SNJ | Power Switch | Power Switch | 2N1485 | RCA | SNJ | Power Switch | Power Switch | 2N1486 | RCA | SNJ | Power Switch | Power Switch | 2N1487 | RCA | SNJ | Power Switch | Power Switch | 2N1488 | RCA | SNJ | Power Switch | Power Switch | 2N1489 | RCA | SNJ | Power Switch | Power Switch | 2N1490 | RCA | SNJ | Power Switch | Power Switch | 3N22 | WHI | GNG | RF Amplifier | RF Amplifier | 3N23 | BOG | GNG | RF Amplifier | RF Amplifier | 3N23A | BOG | GNG | RF Amplifier | RF Amplifier | 3N23B | BOG | GNG | RF Amplifier | RF Amplifier | 3N23C | BOG | GNG | RF Amplifier | RF Amplifier | 3N25 | TI | GPJ | VHF Amp | VHF Amp | 3N26 | TI | SNG | RF Amplifier | RF Amplifier | 3N27 | TI | SNG | RF Amplifier | RF Amplifier | 3N29 | GE | GNA | RF Amplifier | RF Amplifier | 3N30 | GE | GNA | RF Amplifier | RF Amplifier | 3N31 | GE | GNA | RF Amplifier | RF Amplifier | 3N32 | TI | SNG | RF Amplifier | RF Amplifier | 3N33 | TI | SNG | RF Amplifier | RF Amplifier | 3N34 | TI | SNG | RF Amplifier | RF Amplifier | 3N35 | TI | SNG | RF Amplifier | RF Amplifier | 3N36 | GE | GNG | RF Amplifier | RF Amplifier | 3N37 | GE | GNG | RF Amplifier | RF Amplifier | 4JD1B2 | GE | GPA | Switching | Switching | 4JD1B3 | GE | GPA | Switching | Switching | 4JD1B4 | GE | GPA | Switching | Switching | 4JD4A2 | GE | GNG | IF Amplifier | IF Amplifier | 4JD4A3 | GE | GNG | Switching | Switching | 4JD4A4 | GE | GNG | IF Amplifier | IF Amplifier | 4JD4A5 | GE | GNG | RF Amplifier | RF Amplifier | 5A | SPR | GC | Switching | Switching | 5B | CTP | SD | Photo Use | Photo Use | 5C | CTP | SD | Photo Use | Photo Use | 8D | SPR | GPA | AF Amplifier | AF Amplifier | 8E | SPR | GPA | AF Amplifier | AF Amplifier | 8F | SPR | GPA | AF Amplifier | AF Amplifier | 10A | CTP | SD | Photo Use | Photo Use | 10A | SPR | GPA | AF Amplifier | AF Amplifier | 10B | CTP | SD | Photo Use | Photo Use | 10B | SPR | GPA | AF Amplifier | AF Amplifier | 10C | SPR | GPA | AF Amplifier | AF Amplifier | 11A | CTP | SO | Photo Use | Photo Use | 11B | CTP | SD | Photo Use | Photo Use | ZJ | 12 | GE | SNG | AF Amplifier | CK | 13 | RK | GPA | RF Amplifier | ZJ | 13 | GE | GNG | AF Amplifier | MN | 13A | MOT | GPA | AF Amplifier | MN | 13B | MOT | GPA | AF Amplifier | MN | 13C | MOT | GPA | AF Amplifier | ZJ | 13 | GE | GNG | AF Amplifier | CK | 14 | RK | GPA | RF Amplifier | GT | 14 | GTC | GPA | AF Amplifier | RR | 14 | RR | GPA | AF Amplifier | ZJ | 14 | GE | SD | Switching | ZJ | 14H | GTC | GPA | AF Amplifier | OC | 16 | AMP | GPA | AF Power Amp | ZJ | 16 | CK | RR | AF Power Amp | CK | 17 | RR | RR | AF Power Amp | MN | 19 | MOT | GPA | AF Amplifier | GT | 20 | GTC | GPA | AF Amplifier | RR | 20 | RR | GPA | AF Amplifier | GT | 20H | GTC | GPA | AF Amplifier | MN | 21 | MOT | GPA | AF Power Amp | RR | 21 | RR | GPA | AF Amplifier | GT | 24 | GTC | GPA | AF Amplifier | MN | 24 | MOT | GPA | AF Power Amp | MN | 25 | MOT | GPA | AF Power Amp | CK | 26 | RK | MOT | Switching | MN | 26 | MOT | GPA | AF Power Amp | MN | 28 | MOT | GPA | AF Power Amp | MN | 29 | MOT | GPA | AF Power Amp | GT | 34 | GTC | GPA | AF Amplifier | RR | 34 | RR | GPA | AF Amplifier | T | 34A | NU | GPA | AF Amplifier | T | 34B | NU | GPA | AF Amplifier | T | 34C | NU | GPA | AF Amplifier | T | 34D | NU | GPA | AF Amplifier | T | 34E | NU | GPA | AF Amplifier | T | 34F | NU | GPA | AF Amplifier | GT | 34HV | GTC | GPA | Switching | GT | 34S | GTC | GPA | Detector | GT | 38 | GTC | GPA | AF Amplifier | RR | 38 | RR | GPA | AF Amplifier | OC | 44 | AMP | GPA | RF Amplifier | OC | 45 | AMP | GPA | RF Amplifier | OC | 50 | AMP | GC | Oscillator | OC | 51 | AMP | GC | Switching | OC | 65 | AMP | GC | AF Amplifier | CT | 66 | GTC | GPA | Photo Use | OC | 66 | AMP | GPA | AF Amplifier | RR | 66 | RR | SD | AF Amplifier | OC | 70 | AMP | GPA | AF Amplifier | OC | 71 | AMP | GPA | RF Amplifier | OC | 72 | AMP | GMA | AF Amplifier | ZJ | 72 | GE | GNG | VHF Amplifier | OC | 73 | AMP | GPA | AF Amplifier | ZJ | 73 | GE | GNG | AF Amplifier | GT | 74 | GTC | GPA | AF Amplifier | GT | 75 | GTC | GPA | AF Amplifier | OC | 76 | AMP | GPA | Switching | GT | 81 | GTC | GPA | AF Amplifier | GT | 81H | GTC | GPA | AF Amplifier | GT | 81HS | GTC | GPA | AF Amplifier | GT | 82 | GTC | GPA | Switching | GT | 83 | GTC | GPA | Switching | GT | 87 | GTC | GPA | Switching | GT | 88 | GTC | GPA | Switching | DR | 100 | TS | GPA | AF Amplifier | DR | 101 | TS | GPA | AF Amplifier | DR | 102 | TS | GPA | AF Amplifier | GT | 109 | GTC | GPA | AF Amplifier | GT | 122 | GTC | GPA | Switching | GT | 123 | GTC | GPA | Switching | RR | 125 | RR | GPA | AF Amplifier | DR | 126 | TS | GPA | AF Amplifier | DR | 128 | TS | GPA | AF Amplifier | DR | 129 | TS | GPA | General Use | DR | 130 | TS | GPA | General Use | DR | 131 | TS | GPA | General Use | DR | 132 | TS | GPA | General Use | DR | 139 | TS | GPA | General Use | DR | 147 | TS | GPA | AF Power Amp | GT | 153 | GT | GPA | Switching | DR | 154 | TS | GPA | General Use | DR | 155 | TS | GPA | General Use | TS | 161 | TS | GMA | AF Amplifier | TS | 162 | TS | GMA | General Use | TS | 163 | TS | GPA | AF Amplifier | TS | 164 | TS | GPA | AF Amplifier | TS | 165 | TS | GPA | AF Amplifier | TS | 166 | TS | GPA | AF Amplifier | GT | 167 | GTC | GPA | Switching | TS | 176 | TS | GPA | AF Power Amp | 200 | TI | GNG | GPA | General Use | 201 | TI | GNG | GPA | General Use | 202 | TI | GNG | GPA | General Use | 206 | TI | GNG | GPA | AF Amplifier | 207 | TI | GNG | GPA | AF Amplifier | 208 | TI | GNG | GPA | AF Amplifier | GT | 210 | GTC | GPA | Switching | 210 | TI | GNG | GPA | AF Amplifier | 220 | TI | GNG | GPA | AF Amplifier | 221 | TI | GNG | GPA | IF Amplifier | GT | 222 | GTC | GPA | General Use | 222 | TI | GNG | GPA | IF Amplifier | 223 | TI | GNG | GPA | Converter | 224 | TI | GNG | GPA | Detector | 225 | TI | GNG | GPA | IF Amplifier | 227 | TI | GNG | GPA | IF Amplifier | 228 | TI | GNG | GPA | Detector | GT | 229 | GTC | GNA | AF Amplifier | 234 | TI | CNA | IF Amplifier | IF Amplifier | 235 | TI | GNA | GPA | Converter | GT | 269 | GTC | GPA | RF Amplifier | 301 | TI | GPA | AF Amplifier | AF Amplifier | 302 | TI | GPA | AF Amplifier | AF Amplifier | 310 | TI | GPA | AF Amplifier | AF Amplifier | 310 | TI | GPA | AF Amplifier | AF Amplifier | | | | | | | | | | | | | | | | | | | | |
| 2N1291 | CBS | GPA | AF Amplifier | AF Amplifier | | | 2N1292 | CBS | GNA | AF Amplifier | AF Amplifier | | 2N1293 | CBS | GPA | AF Amplifier | AF Amplifier | | | 2N1294 | CBS | GNA | AF Amplifier | AF Amplifier | 2N1295 | CBS | GPA | AF Amplifier | AF Amplifier | 2N1296 | CBS | GNA | AF Amplifier | AF Amplifier | 2N1297 | CBS | GPA | AF Amplifier | AF Amplifier | 2N1298 | CBS | GNA | AF Amplifier | AF Amplifier | 2N1299 | SYL | GNA | Switching | Switching | 2N1300 | RCA | GPJ | Switching | Switching | 2N1301 | RCA | GPJ | Switching | Switching | 2N1310 | CTC | GNA | General Use | General Use | 2N1320 | CBS | GPA | AF Amplifier | AF Amplifier | 2N1321 | CBS | GNA | AF Amplifier | AF Amplifier | 2N1322 | CBS | GPA | AF Amplifier | AF Amplifier | 2N1323 | CBS | GNA | AF Amplifier | AF Amplifier | 2N1324 | CBS | GPA | AF Amplifier | AF Amplifier | 2N1325 | CBS | GNA | AF Amplifier | AF Amplifier | 2N1326 | CBS | GPA | AF Amplifier | AF Amplifier | 2N1327 | CBS | GNA | AF Amplifier | AF Amplifier | 2N1328 | CBS | GPA | AF Amplifier | AF Amplifier | 2N1329 | CBS | GNA | AF Amplifier | AF Amplifier | 2N1330 | CBS | GPA | AF Amplifier | AF Amplifier | 2N1331 | CBS | GNA | AF Amplifier | AF Amplifier | 2N1332 | CBS | GPA | AF Amplifier | AF Amplifier | 2N1333 | CBS | GNA | AF Amplifier | AF Amplifier | 2N1334 | CBS | GPA | AF Amplifier | AF Amplifier | 2N1358 | DEL | GPA | General Use | General Use | 2N1395 | RCA | GPD | RF Amplifier | RF Amplifier | 2N1396 | RCA | GPD | RF Amplifier | RF Amplifier | 2N1397 | RCA | GPD | RF Amplifier | RF Amplifier | 2N1425 | RCA | GPD | IF Amplifier | IF Amplifier | 2N1426 | RCA | GPD | Converter | Converter | 2N1431 | SYL | GNA | AF Amplifier | AF Amplifier | 2N1432 | SYL | GPD | RF Amplifier | RF Amplifier | 2N1479 | RCA | SNJ | Power Switch | Power Switch | 2N1480 | RCA | SNJ | Power Switch | Power Switch | 2N1481 | RCA | SNJ | Power Switch | Power Switch | 2N1482 | RCA | SNJ | Power Switch | Power Switch | 2N1483 | RCA | SNJ | Power Switch | Power Switch | 2N1484 | RCA | SNJ | Power Switch | Power Switch | 2N1485 | RCA | SNJ | Power Switch | Power Switch | 2N1486 | RCA | SNJ | Power Switch | Power Switch | 2N1487 | RCA | SNJ | Power Switch | Power Switch | 2N1488 | RCA | SNJ | Power Switch | Power Switch | 2N1489 | RCA | SNJ | Power Switch | Power Switch | 2N1490 | RCA | SNJ | Power Switch | Power Switch | 3N22 | WHI | GNG | RF Amplifier | RF Amplifier | 3N23 | BOG | GNG | RF Amplifier | RF Amplifier | 3N23A | BOG | GNG | RF Amplifier | RF Amplifier | 3N23B | BOG | GNG | RF Amplifier | RF Amplifier | 3N23C | BOG | GNG | RF Amplifier | RF Amplifier | 3N25 | TI | GPJ | VHF Amp | VHF Amp | 3N26 | TI | SNG | RF Amplifier | RF Amplifier | 3N27 | TI | SNG | RF Amplifier | RF Amplifier | 3N29 | GE | GNA | RF Amplifier | RF Amplifier | 3N30 | GE | GNA | RF Amplifier | RF Amplifier | 3N31 | GE | GNA | RF Amplifier | RF Amplifier | 3N32 | TI | SNG | RF Amplifier | RF Amplifier | 3N33 | TI | SNG | RF Amplifier | RF Amplifier | 3N34 | TI | SNG | RF Amplifier | RF Amplifier | 3N35 | TI | SNG | RF Amplifier | RF Amplifier | 3N36 | GE | GNG | RF Amplifier | RF Amplifier | 3N37 | GE | GNG | RF Amplifier | RF Amplifier | 4JD1B2 | GE | GPA | Switching | Switching | 4JD1B3 | GE | GPA | Switching | Switching | 4JD1B4 | GE | GPA | Switching | Switching | 4JD4A2 | GE | GNG | IF Amplifier | IF Amplifier | 4JD4A3 | GE | GNG | Switching | Switching | 4JD4A4 | GE | GNG | IF Amplifier | IF Amplifier | 4JD4A5 | GE | GNG | RF Amplifier | RF Amplifier | 5A | SPR | GC | Switching | Switching | 5B | CTP | SD | Photo Use | Photo Use | 5C | CTP | SD | Photo Use | Photo Use | 8D | SPR | GPA | AF Amplifier | AF Amplifier | 8E | SPR | GPA | AF Amplifier | AF Amplifier | 8F | SPR | GPA | AF Amplifier | AF Amplifier | 10A | CTP | SD | Photo Use | Photo Use | 10A | SPR | GPA | AF Amplifier | AF Amplifier | 10B | CTP | SD | Photo Use | Photo Use | 10B | SPR | GPA | AF Amplifier | AF Amplifier | 10C | SPR | GPA | AF Amplifier | AF Amplifier | 11A | CTP | SO | Photo Use | Photo Use | 11B | CTP | SD | Photo Use | Photo Use | ZJ | 12 | GE | SNG | AF Amplifier | CK | 13 | RK | GPA | RF Amplifier | ZJ | 13 | GE | GNG | AF Amplifier | MN | 13A | MOT | GPA | AF Amplifier | MN | 13B | MOT | GPA | AF Amplifier | MN | 13C | MOT | GPA | AF Amplifier | ZJ | 13 | GE | GNG | AF Amplifier | CK | 14 | RK | GPA | RF Amplifier | GT | 14 | GTC | GPA | AF Amplifier | RR | 14 | RR | GPA | AF Amplifier | ZJ | 14 | GE | SD | Switching | ZJ | 14H | GTC | GPA | AF Amplifier | OC | 16 | AMP | GPA | AF Power Amp | ZJ | 16 | CK | RR | AF Power Amp | CK | 17 | RR | RR | AF Power Amp | MN | 19 | MOT | GPA | AF Amplifier | GT | 20 | GTC | GPA | AF Amplifier | RR | 20 | RR | GPA | AF Amplifier | GT | 20H | GTC | GPA | AF Amplifier | MN | 21 | MOT | GPA | AF Power Amp | RR | 21 | RR | GPA | AF Amplifier | GT | 24 | GTC | GPA | AF Amplifier | MN | 24 | MOT | GPA | AF Power Amp | MN | 25 | MOT | GPA | AF Power Amp | CK | 26 | RK | MOT | Switching | MN | 26 | MOT | GPA | AF Power Amp | MN | 28 | MOT | GPA | AF Power Amp | MN | 29 | MOT | GPA | AF Power Amp | GT | 34 | GTC | GPA | AF Amplifier | RR | 34 | RR | GPA | AF Amplifier | T | 34A | NU | GPA | AF Amplifier | T | 34B | NU | GPA | AF Amplifier | T | 34C | NU | GPA | AF Amplifier | T | 34D | NU | GPA | AF Amplifier | T | 34E | NU | GPA | AF Amplifier | T | 34F | NU | GPA | AF Amplifier | GT | 34HV | GTC | GPA | Switching | GT | 34S | GTC | GPA | Detector | GT | 38 | GTC | GPA | AF Amplifier | RR | 38 | RR | GPA | AF Amplifier | OC | 44 | AMP | GPA | RF Amplifier | OC | 45 | AMP | GPA | RF Amplifier | OC | 50 | AMP | GC | Oscillator | OC | 51 | AMP | GC | Switching | OC | 65 | AMP | GC | AF Amplifier | CT | 66 | GTC | GPA | Photo Use | OC | 66 | AMP | GPA | AF Amplifier | RR | 66 | RR | SD | AF Amplifier | OC | 70 | AMP | GPA | AF Amplifier | OC | 71 | AMP | GPA | RF Amplifier | OC | 72 | AMP | GMA | AF Amplifier | ZJ | 72 | GE | GNG | VHF Amplifier | OC | 73 | AMP | GPA | AF Amplifier | ZJ | 73 | GE | GNG | AF Amplifier | GT | 74 | GTC | GPA | AF Amplifier | GT | 75 | GTC | GPA | AF Amplifier | OC | 76 | AMP | GPA | Switching | GT | 81 | GTC | GPA | AF Amplifier | GT | 81H | GTC | GPA | AF Amplifier | GT | 81HS | GTC | GPA | AF Amplifier | GT | 82 | GTC | GPA | Switching | GT | 83 | GTC | GPA | Switching | GT | 87 | GTC | GPA | Switching | GT | 88 | GTC | GPA | Switching | DR | 100 | TS | GPA | AF Amplifier | DR | 101 | TS | GPA | AF Amplifier | DR | 102 | TS | GPA | AF Amplifier | GT | 109 | GTC | GPA | AF Amplifier | GT | 122 | GTC | GPA | Switching | GT | 123 | GTC | GPA | Switching | RR | 125 | RR | GPA | AF Amplifier | DR | 126 | TS | GPA | AF Amplifier | DR | 128 | TS | GPA | AF Amplifier | DR | 129 | TS | GPA | General Use | DR | 130 | TS | GPA | General Use | DR | 131 | TS | GPA | General Use | DR | 132 | TS | GPA | General Use | DR | 139 | TS | GPA | General Use | DR | 147 | TS | GPA | AF Power Amp | GT | 153 | GT | GPA | Switching | DR | 154 | TS | GPA | General Use | DR | 155 | TS | GPA | General Use | TS | 161 | TS | GMA | AF Amplifier | TS | 162 | TS | GMA | General Use | TS | 163 | TS | GPA | AF Amplifier | TS | 164 | TS | GPA | AF Amplifier | TS | 165 | TS | GPA | AF Amplifier | TS | 166 | TS | GPA | AF Amplifier | GT | 167 | GTC | GPA | Switching | TS | 176 | TS | GPA | AF Power Amp | 200 | TI | GNG | GPA | General Use | 201 | TI | GNG | GPA | General Use | 202 | TI | GNG | GPA | General Use | 206 | TI | GNG | GPA | AF Amplifier | 207 | TI | GNG | GPA | AF Amplifier | 208 | TI | GNG | GPA | AF Amplifier | GT | 210 | GTC | GPA | Switching | 210 | TI | GNG | GPA | AF Amplifier | 220 | TI | GNG | GPA | AF Amplifier | 221 | TI | GNG | GPA | IF Amplifier | GT | 222 | GTC | GPA | General Use | 222 | TI | GNG | GPA | IF Amplifier | 223 | TI | GNG | GPA | Converter | 224 | TI | GNG | GPA | Detector | 225 | TI | GNG | GPA | IF Amplifier | 227 | TI | GNG | GPA | IF Amplifier | 228 | TI | GNG | GPA | Detector | GT | 229 | GTC | GNA | AF Amplifier | 234 | TI | CNA | IF Amplifier | IF Amplifier | 235 | TI | GNA | GPA | Converter | GT | 269 | GTC | GPA | RF Amplifier | 301 | TI | GPA | AF Amplifier | AF Amplifier | 302 | TI | GPA | AF Amplifier | AF Amplifier | 310 | TI | GPA | AF Amplifier | AF Amplifier | 310 | TI | GPA | AF Amplifier | AF Amplifier | | | | | | | | | | | | | | | | | | | | | | | | | |
| 2N1292 | CBS | GNA | AF Amplifier | AF Amplifier | | | 2N1293 | CBS | GPA | AF Amplifier | AF Amplifier | | 2N1294 | CBS | GNA | AF Amplifier | AF Amplifier | | | 2N1295 | CBS | GPA | AF Amplifier | AF Amplifier | 2N1296 | CBS | GNA | AF Amplifier | AF Amplifier | 2N1297 | CBS | GPA | AF Amplifier | AF Amplifier | 2N1298 | CBS | GNA | AF Amplifier | AF Amplifier | 2N1299 | SYL | GNA | Switching | Switching | 2N1300 | RCA | GPJ | Switching | Switching | 2N1301 | RCA | GPJ | Switching | Switching | 2N1310 | CTC | GNA | General Use | General Use | 2N1320 | CBS | GPA | AF Amplifier | AF Amplifier | 2N1321 | CBS | GNA | AF Amplifier | AF Amplifier | 2N1322 | CBS | GPA | AF Amplifier | AF Amplifier | 2N1323 | CBS | GNA | AF Amplifier | AF Amplifier | 2N1324 | CBS | GPA | AF Amplifier | AF Amplifier | 2N1325 | CBS | GNA | AF Amplifier | AF Amplifier | 2N1326 | CBS | GPA | AF Amplifier | AF Amplifier | 2N1327 | CBS | GNA | AF Amplifier | AF Amplifier | 2N1328 | CBS | GPA | AF Amplifier | AF Amplifier | 2N1329 | CBS | GNA | AF Amplifier | AF Amplifier | 2N1330 | CBS | GPA | AF Amplifier | AF Amplifier | 2N1331 | CBS | GNA | AF Amplifier | AF Amplifier | 2N1332 | CBS | GPA | AF Amplifier | AF Amplifier | 2N1333 | CBS | GNA | AF Amplifier | AF Amplifier | 2N1334 | CBS | GPA | AF Amplifier | AF Amplifier | 2N1358 | DEL | GPA | General Use | General Use | 2N1395 | RCA | GPD | RF Amplifier | RF Amplifier | 2N1396 | RCA | GPD | RF Amplifier | RF Amplifier | 2N1397 | RCA | GPD | RF Amplifier | RF Amplifier | 2N1425 | RCA | GPD | IF Amplifier | IF Amplifier | 2N1426 | RCA | GPD | Converter | Converter | 2N1431 | SYL | GNA | AF Amplifier | AF Amplifier | 2N1432 | SYL | GPD | RF Amplifier | RF Amplifier | 2N1479 | RCA | SNJ | Power Switch | Power Switch | 2N1480 | RCA | SNJ | Power Switch | Power Switch | 2N1481 | RCA | SNJ | Power Switch | Power Switch | 2N1482 | RCA | SNJ | Power Switch | Power Switch | 2N1483 | RCA | SNJ | Power Switch | Power Switch | 2N1484 | RCA | SNJ | Power Switch | Power Switch | 2N1485 | RCA | SNJ | Power Switch | Power Switch | 2N1486 | RCA | SNJ | Power Switch | Power Switch | 2N1487 | RCA | SNJ | Power Switch | Power Switch | 2N1488 | RCA | SNJ | Power Switch | Power Switch | 2N1489 | RCA | SNJ | Power Switch | Power Switch | 2N1490 | RCA | SNJ | Power Switch | Power Switch | 3N22 | WHI | GNG | RF Amplifier | RF Amplifier | 3N23 | BOG | GNG | RF Amplifier | RF Amplifier | 3N23A | BOG | GNG | RF Amplifier | RF Amplifier | 3N23B | BOG | GNG | RF Amplifier | RF Amplifier | 3N23C | BOG | GNG | RF Amplifier | RF Amplifier | 3N25 | TI | GPJ | VHF Amp | VHF Amp | 3N26 | TI | SNG | RF Amplifier | RF Amplifier | 3N27 | TI | SNG | RF Amplifier | RF Amplifier | 3N29 | GE | GNA | RF Amplifier | RF Amplifier | 3N30 | GE | GNA | RF Amplifier | RF Amplifier | 3N31 | GE | GNA | RF Amplifier | RF Amplifier | 3N32 | TI | SNG | RF Amplifier | RF Amplifier | 3N33 | TI | SNG | RF Amplifier | RF Amplifier | 3N34 | TI | SNG | RF Amplifier | RF Amplifier | 3N35 | TI | SNG | RF Amplifier | RF Amplifier | 3N36 | GE | GNG | RF Amplifier | RF Amplifier | 3N37 | GE | GNG | RF Amplifier | RF Amplifier | 4JD1B2 | GE | GPA | Switching | Switching | 4JD1B3 | GE | GPA | Switching | Switching | 4JD1B4 | GE | GPA | Switching | Switching | 4JD4A2 | GE | GNG | IF Amplifier | IF Amplifier | 4JD4A3 | GE | GNG | Switching | Switching | 4JD4A4 | GE | GNG | IF Amplifier | IF Amplifier | 4JD4A5 | GE | GNG | RF Amplifier | RF Amplifier | 5A | SPR | GC | Switching | Switching | 5B | CTP | SD | Photo Use | Photo Use | 5C | CTP | SD | Photo Use | Photo Use | 8D | SPR | GPA | AF Amplifier | AF Amplifier | 8E | SPR | GPA | AF Amplifier | AF Amplifier | 8F | SPR | GPA | AF Amplifier | AF Amplifier | 10A | CTP | SD | Photo Use | Photo Use | 10A | SPR | GPA | AF Amplifier | AF Amplifier | 10B | CTP | SD | Photo Use | Photo Use | 10B | SPR | GPA | AF Amplifier | AF Amplifier | 10C | SPR | GPA | AF Amplifier | AF Amplifier | 11A | CTP | SO | Photo Use | Photo Use | 11B | CTP | SD | Photo Use | Photo Use | ZJ | 12 | GE | SNG | AF Amplifier | CK | 13 | RK | GPA | RF Amplifier | ZJ | 13 | GE | GNG | AF Amplifier | MN | 13A | MOT | GPA | AF Amplifier | MN | 13B | MOT | GPA | AF Amplifier | MN | 13C | MOT | GPA | AF Amplifier | ZJ | 13 | GE | GNG | AF Amplifier | CK | 14 | RK | GPA | RF Amplifier | GT | 14 | GTC | GPA | AF Amplifier | RR | 14 | RR | GPA | AF Amplifier | ZJ | 14 | GE | SD | Switching | ZJ | 14H | GTC | GPA | AF Amplifier | OC | 16 | AMP | GPA | AF Power Amp | ZJ | 16 | CK | RR | AF Power Amp | CK | 17 | RR | RR | AF Power Amp | MN | 19 | MOT | GPA | AF Amplifier | GT | 20 | GTC | GPA | AF Amplifier | RR | 20 | RR | GPA | AF Amplifier | GT | 20H | GTC | GPA | AF Amplifier | MN | 21 | MOT | GPA | AF Power Amp | RR | 21 | RR | GPA | AF Amplifier | GT | 24 | GTC | GPA | AF Amplifier | MN | 24 | MOT | GPA | AF Power Amp | MN | 25 | MOT | GPA | AF Power Amp | CK | 26 | RK | MOT | Switching | MN | 26 | MOT | GPA | AF Power Amp | MN | 28 | MOT | GPA | AF Power Amp | MN | 29 | MOT | GPA | AF Power Amp | GT | 34 | GTC | GPA | AF Amplifier | RR | 34 | RR | GPA | AF Amplifier | T | 34A | NU | GPA | AF Amplifier | T | 34B | NU | GPA | AF Amplifier | T | 34C | NU | GPA | AF Amplifier | T | 34D | NU | GPA | AF Amplifier | T | 34E | NU | GPA | AF Amplifier | T | 34F | NU | GPA | AF Amplifier | GT | 34HV | GTC | GPA | Switching | GT | 34S | GTC | GPA | Detector | GT | 38 | GTC | GPA | AF Amplifier | RR | 38 | RR | GPA | AF Amplifier | OC | 44 | AMP | GPA | RF Amplifier | OC | 45 | AMP | GPA | RF Amplifier | OC | 50 | AMP | GC | Oscillator | OC | 51 | AMP | GC | Switching | OC | 65 | AMP | GC | AF Amplifier | CT | 66 | GTC | GPA | Photo Use | OC | 66 | AMP | GPA | AF Amplifier | RR | 66 | RR | SD | AF Amplifier | OC | 70 | AMP | GPA | AF Amplifier | OC | 71 | AMP | GPA | RF Amplifier | OC | 72 | AMP | GMA | AF Amplifier | ZJ | 72 | GE | GNG | VHF Amplifier | OC | 73 | AMP | GPA | AF Amplifier | ZJ | 73 | GE | GNG | AF Amplifier | GT | 74 | GTC | GPA | AF Amplifier | GT | 75 | GTC | GPA | AF Amplifier | OC | 76 | AMP | GPA | Switching | GT | 81 | GTC | GPA | AF Amplifier | GT | 81H | GTC | GPA | AF Amplifier | GT | 81HS | GTC | GPA | AF Amplifier | GT | 82 | GTC | GPA | Switching | GT | 83 | GTC | GPA | Switching | GT | 87 | GTC | GPA | Switching | GT | 88 | GTC | GPA | Switching | DR | 100 | TS | GPA | AF Amplifier | DR | 101 | TS | GPA | AF Amplifier | DR | 102 | TS | GPA | AF Amplifier | GT | 109 | GTC | GPA | AF Amplifier | GT | 122 | GTC | GPA | Switching | GT | 123 | GTC | GPA | Switching | RR | 125 | RR | GPA | AF Amplifier | DR | 126 | TS | GPA | AF Amplifier | DR | 128 | TS | GPA | AF Amplifier | DR | 129 | TS | GPA | General Use | DR | 130 | TS | GPA | General Use | DR | 131 | TS | GPA | General Use | DR | 132 | TS | GPA | General Use | DR | 139 | TS | GPA | General Use | DR | 147 | TS | GPA | AF Power Amp | GT | 153 | GT | GPA | Switching | DR | 154 | TS | GPA | General Use | DR | 155 | TS | GPA | General Use | TS | 161 | TS | GMA | AF Amplifier | TS | 162 | TS | GMA | General Use | TS | 163 | TS | GPA | AF Amplifier | TS | 164 | TS | GPA | AF Amplifier | TS | 165 | TS | GPA | AF Amplifier | TS | 166 | TS | GPA | AF Amplifier | GT | 167 | GTC | GPA | Switching | TS | 176 | TS | GPA | AF Power Amp | 200 | TI | GNG | GPA | General Use | 201 | TI | GNG | GPA | General Use | 202 | TI | GNG | GPA | General Use | 206 | TI | GNG | GPA | AF Amplifier | 207 | TI | GNG | GPA | AF Amplifier | 208 | TI | GNG | GPA | AF Amplifier | GT | 210 | GTC | GPA | Switching | 210 | TI | GNG | GPA | AF Amplifier | 220 | TI | GNG | GPA | AF Amplifier | 221 | TI | GNG | GPA | IF Amplifier | GT | 222 | GTC | GPA | General Use | 222 | TI | GNG | GPA | IF Amplifier | 223 | TI | GNG | GPA | Converter | 224 | TI | GNG | GPA | Detector | 225 | TI | GNG | GPA | IF Amplifier | 227 | TI | GNG | GPA | IF Amplifier | 228 | TI | GNG | GPA | Detector | GT | 229 | GTC | GNA | AF Amplifier | 234 | TI | CNA | IF Amplifier | IF Amplifier | 235 | TI | GNA | GPA | Converter | GT | 269 | GTC | GPA | RF Amplifier | 301 | TI | GPA | AF Amplifier | AF Amplifier | 302 | TI | GPA | AF Amplifier | AF Amplifier | 310 | TI | GPA | AF Amplifier | AF Amplifier | 310 | TI | GPA | AF Amplifier | AF Amplifier | | | | | | | | | | | | | | | | | | | | | | | | | | | | | | |
| 2N1293 | CBS | GPA | AF Amplifier | AF Amplifier | | | 2N1294 | CBS | GNA | AF Amplifier | AF Amplifier | | 2N1295 | CBS | GPA | AF Amplifier | AF Amplifier | | | 2N1296 | CBS | GNA | AF Amplifier | AF Amplifier | 2N1297 | CBS | GPA | AF Amplifier | AF Amplifier | 2N1298 | CBS | GNA | AF Amplifier | AF Amplifier | 2N1299 | SYL | GNA | Switching | Switching | 2N1300 | RCA | GPJ | Switching | Switching | 2N1301 | RCA | GPJ | Switching | Switching | 2N1310 | CTC | GNA | General Use | General Use | 2N1320 | CBS | GPA | AF Amplifier | AF Amplifier | 2N1321 | CBS | GNA | AF Amplifier | AF Amplifier | 2N1322 | CBS | GPA | AF Amplifier | AF Amplifier | 2N1323 | CBS | GNA | AF Amplifier | AF Amplifier | 2N1324 | CBS | GPA | AF Amplifier | AF Amplifier | 2N1325 | CBS | GNA | AF Amplifier | AF Amplifier | 2N1326 | CBS | GPA | AF Amplifier | AF Amplifier | 2N1327 | CBS | GNA | AF Amplifier | AF Amplifier | 2N1328 | CBS | GPA | AF Amplifier | AF Amplifier | 2N1329 | CBS | GNA | AF Amplifier | AF Amplifier | 2N1330 | CBS | GPA | AF Amplifier | AF Amplifier | 2N1331 | CBS | GNA | AF Amplifier | AF Amplifier | 2N1332 | CBS | GPA | AF Amplifier | AF Amplifier | 2N1333 | CBS | GNA | AF Amplifier | AF Amplifier | 2N1334 | CBS | GPA | AF Amplifier | AF Amplifier | 2N1358 | DEL | GPA | General Use | General Use | 2N1395 | RCA | GPD | RF Amplifier | RF Amplifier | 2N1396 | RCA | GPD | RF Amplifier | RF Amplifier | 2N1397 | RCA | GPD | RF Amplifier | RF Amplifier | 2N1425 | RCA | GPD | IF Amplifier | IF Amplifier | 2N1426 | RCA | GPD | Converter | Converter | 2N1431 | SYL | GNA | AF Amplifier | AF Amplifier | 2N1432 | SYL | GPD | RF Amplifier | RF Amplifier | 2N1479 | RCA | SNJ | Power Switch | Power Switch | 2N1480 | RCA | SNJ | Power Switch | Power Switch | 2N1481 | RCA | SNJ | Power Switch | Power Switch | 2N1482 | RCA | SNJ | Power Switch | Power Switch | 2N1483 | RCA | SNJ | Power Switch | Power Switch | 2N1484 | RCA | SNJ | Power Switch | Power Switch | 2N1485 | RCA | SNJ | Power Switch | Power Switch | 2N1486 | RCA | SNJ | Power Switch | Power Switch | 2N1487 | RCA | SNJ | Power Switch | Power Switch | 2N1488 | RCA | SNJ | Power Switch | Power Switch | 2N1489 | RCA | SNJ | Power Switch | Power Switch | 2N1490 | RCA | SNJ | Power Switch | Power Switch | 3N22 | WHI | GNG | RF Amplifier | RF Amplifier | 3N23 | BOG | GNG | RF Amplifier | RF Amplifier | 3N23A | BOG | GNG | RF Amplifier | RF Amplifier | 3N23B | BOG | GNG | RF Amplifier | RF Amplifier | 3N23C | BOG | GNG | RF Amplifier | RF Amplifier | 3N25 | TI | GPJ | VHF Amp | VHF Amp | 3N26 | TI | SNG | RF Amplifier | RF Amplifier | 3N27 | TI | SNG | RF Amplifier | RF Amplifier | 3N29 | GE | GNA | RF Amplifier | RF Amplifier | 3N30 | GE | GNA | RF Amplifier | RF Amplifier | 3N31 | GE | GNA | RF Amplifier | RF Amplifier | 3N32 | TI | SNG | RF Amplifier | RF Amplifier | 3N33 | TI | SNG | RF Amplifier | RF Amplifier | 3N34 | TI | SNG | RF Amplifier | RF Amplifier | 3N35 | TI | SNG | RF Amplifier | RF Amplifier | 3N36 | GE | GNG | RF Amplifier | RF Amplifier | 3N37 | GE | GNG | RF Amplifier | RF Amplifier | 4JD1B2 | GE | GPA | Switching | Switching | 4JD1B3 | GE | GPA | Switching | Switching | 4JD1B4 | GE | GPA | Switching | Switching | 4JD4A2 | GE | GNG | IF Amplifier | IF Amplifier | 4JD4A3 | GE | GNG | Switching | Switching | 4JD4A4 | GE | GNG | IF Amplifier | IF Amplifier | 4JD4A5 | GE | GNG | RF Amplifier | RF Amplifier | 5A | SPR | GC | Switching | Switching | 5B | CTP | SD | Photo Use | Photo Use | 5C | CTP | SD | Photo Use | Photo Use | 8D | SPR | GPA | AF Amplifier | AF Amplifier | 8E | SPR | GPA | AF Amplifier | AF Amplifier | 8F | SPR | GPA | AF Amplifier | AF Amplifier | 10A | CTP | SD | Photo Use | Photo Use | 10A | SPR | GPA | AF Amplifier | AF Amplifier | 10B | CTP | SD | Photo Use | Photo Use | 10B | SPR | GPA | AF Amplifier | AF Amplifier | 10C | SPR | GPA | AF Amplifier | AF Amplifier | 11A | CTP | SO | Photo Use | Photo Use | 11B | CTP | SD | Photo Use | Photo Use | ZJ | 12 | GE | SNG | AF Amplifier | CK | 13 | RK | GPA | RF Amplifier | ZJ | 13 | GE | GNG | AF Amplifier | MN | 13A | MOT | GPA | AF Amplifier | MN | 13B | MOT | GPA | AF Amplifier | MN | 13C | MOT | GPA | AF Amplifier | ZJ | 13 | GE | GNG | AF Amplifier | CK | 14 | RK | GPA | RF Amplifier | GT | 14 | GTC | GPA | AF Amplifier | RR | 14 | RR | GPA | AF Amplifier | ZJ | 14 | GE | SD | Switching | ZJ | 14H | GTC | GPA | AF Amplifier | OC | 16 | AMP | GPA | AF Power Amp | ZJ | 16 | CK | RR | AF Power Amp | CK | 17 | RR | RR | AF Power Amp | MN | 19 | MOT | GPA | AF Amplifier | GT | 20 | GTC | GPA | AF Amplifier | RR | 20 | RR | GPA | AF Amplifier | GT | 20H | GTC | GPA | AF Amplifier | MN | 21 | MOT | GPA | AF Power Amp | RR | 21 | RR | GPA | AF Amplifier | GT | 24 | GTC | GPA | AF Amplifier | MN | 24 | MOT | GPA | AF Power Amp | MN | 25 | MOT | GPA | AF Power Amp | CK | 26 | RK | MOT | Switching | MN | 26 | MOT | GPA | AF Power Amp | MN | 28 | MOT | GPA | AF Power Amp | MN | 29 | MOT | GPA | AF Power Amp | GT | 34 | GTC | GPA | AF Amplifier | RR | 34 | RR | GPA | AF Amplifier | T | 34A | NU | GPA | AF Amplifier | T | 34B | NU | GPA | AF Amplifier | T | 34C | NU | GPA | AF Amplifier | T | 34D | NU | GPA | AF Amplifier | T | 34E | NU | GPA | AF Amplifier | T | 34F | NU | GPA | AF Amplifier | GT | 34HV | GTC | GPA | Switching | GT | 34S | GTC | GPA | Detector | GT | 38 | GTC | GPA | AF Amplifier | RR | 38 | RR | GPA | AF Amplifier | OC | 44 | AMP | GPA | RF Amplifier | OC | 45 | AMP | GPA | RF Amplifier | OC | 50 | AMP | GC | Oscillator | OC | 51 | AMP | GC | Switching | OC | 65 | AMP | GC | AF Amplifier | CT | 66 | GTC | GPA | Photo Use | OC | 66 | AMP | GPA | AF Amplifier | RR | 66 | RR | SD | AF Amplifier | OC | 70 | AMP | GPA | AF Amplifier | OC | 71 | AMP | GPA | RF Amplifier | OC | 72 | AMP | GMA | AF Amplifier | ZJ | 72 | GE | GNG | VHF Amplifier | OC | 73 | AMP | GPA | AF Amplifier | ZJ | 73 | GE | GNG | AF Amplifier | GT | 74 | GTC | GPA | AF Amplifier | GT | 75 | GTC | GPA | AF Amplifier | OC | 76 | AMP | GPA | Switching | GT | 81 | GTC | GPA | AF Amplifier | GT | 81H | GTC | GPA | AF Amplifier | GT | 81HS | GTC | GPA | AF Amplifier | GT | 82 | GTC | GPA | Switching | GT | 83 | GTC | GPA | Switching | GT | 87 | GTC | GPA | Switching | GT | 88 | GTC | GPA | Switching | DR | 100 | TS | GPA | AF Amplifier | DR | 101 | TS | GPA | AF Amplifier | DR | 102 | TS | GPA | AF Amplifier | GT | 109 | GTC | GPA | AF Amplifier | GT | 122 | GTC | GPA | Switching | GT | 123 | GTC | GPA | Switching | RR | 125 | RR | GPA | AF Amplifier | DR | 126 | TS | GPA | AF Amplifier | DR | 128 | TS | GPA | AF Amplifier | DR | 129 | TS | GPA | General Use | DR | 130 | TS | GPA | General Use | DR | 131 | TS | GPA | General Use | DR | 132 | TS | GPA | General Use | DR | 139 | TS | GPA | General Use | DR | 147 | TS | GPA | AF Power Amp | GT | 153 | GT | GPA | Switching | DR | 154 | TS | GPA | General Use | DR | 155 | TS | GPA | General Use | TS | 161 | TS | GMA | AF Amplifier | TS | 162 | TS | GMA | General Use | TS | 163 | TS | GPA | AF Amplifier | TS | 164 | TS | GPA | AF Amplifier | TS | 165 | TS | GPA | AF Amplifier | TS | 166 | TS | GPA | AF Amplifier | GT | 167 | GTC | GPA | Switching | TS | 176 | TS | GPA | AF Power Amp | 200 | TI | GNG | GPA | General Use | 201 | TI | GNG | GPA | General Use | 202 | TI | GNG | GPA | General Use | 206 | TI | GNG | GPA | AF Amplifier | 207 | TI | GNG | GPA | AF Amplifier | 208 | TI | GNG | GPA | AF Amplifier | GT | 210 | GTC | GPA | Switching | 210 | TI | GNG | GPA | AF Amplifier | 220 | TI | GNG | GPA | AF Amplifier | 221 | TI | GNG | GPA | IF Amplifier | GT | 222 | GTC | GPA | General Use | 222 | TI | GNG | GPA | IF Amplifier | 223 | TI | GNG | GPA | Converter | 224 | TI | GNG | GPA | Detector | 225 | TI | GNG | GPA | IF Amplifier | 227 | TI | GNG | GPA | IF Amplifier | 228 | TI | GNG | GPA | Detector | GT | 229 | GTC | GNA | AF Amplifier | 234 | TI | CNA | IF Amplifier | IF Amplifier | 235 | TI | GNA | GPA | Converter | GT | 269 | GTC | GPA | RF Amplifier | 301 | TI | GPA | AF Amplifier | AF Amplifier | 302 | TI | GPA | AF Amplifier | AF Amplifier | 310 | TI | GPA | AF Amplifier | AF Amplifier | 310 | TI | GPA | AF Amplifier | AF Amplifier | | | | | | | | | | | | | | | | | | | | | | | | | | | | | | | | | | | |
| 2N1294 | CBS | GNA | AF Amplifier | AF Amplifier | | | 2N1295 | CBS | GPA | AF Amplifier | AF Amplifier | | 2N1296 | CBS | GNA | AF Amplifier | AF Amplifier | | | 2N1297 | CBS | GPA | AF Amplifier | AF Amplifier | 2N1298 | CBS | GNA | AF Amplifier | AF Amplifier | 2N1299 | SYL | GNA | Switching | Switching | 2N1300 | RCA | GPJ | Switching | Switching | 2N1301 | RCA | GPJ | Switching | Switching | 2N1310 | CTC | GNA | General Use | General Use | 2N1320 | CBS | GPA | AF Amplifier | AF Amplifier | 2N1321 | CBS | GNA | AF Amplifier | AF Amplifier | 2N1322 | CBS | GPA | AF Amplifier | AF Amplifier | 2N1323 | CBS | GNA | AF Amplifier | AF Amplifier | 2N1324 | CBS | GPA | AF Amplifier | AF Amplifier | 2N1325 | CBS | GNA | AF Amplifier | AF Amplifier | 2N1326 | CBS | GPA | AF Amplifier | AF Amplifier | 2N1327 | CBS | GNA | AF Amplifier | AF Amplifier | 2N1328 | CBS | GPA | AF Amplifier | AF Amplifier | 2N1329 | CBS | GNA | AF Amplifier | AF Amplifier | 2N1330 | CBS | GPA | AF Amplifier | AF Amplifier | 2N1331 | CBS | GNA | AF Amplifier | AF Amplifier | 2N1332 | CBS | GPA | AF Amplifier | AF Amplifier | 2N1333 | CBS | GNA | AF Amplifier | AF Amplifier | 2N1334 | CBS | GPA | AF Amplifier | AF Amplifier | 2N1358 | DEL | GPA | General Use | General Use | 2N1395 | RCA | GPD | RF Amplifier | RF Amplifier | 2N1396 | RCA | GPD | RF Amplifier | RF Amplifier | 2N1397 | RCA | GPD | RF Amplifier | RF Amplifier | 2N1425 | RCA | GPD | IF Amplifier | IF Amplifier | 2N1426 | RCA | GPD | Converter | Converter | 2N1431 | SYL | GNA | AF Amplifier | AF Amplifier | 2N1432 | SYL | GPD | RF Amplifier | RF Amplifier | 2N1479 | RCA | SNJ | Power Switch | Power Switch | 2N1480 | RCA | SNJ | Power Switch | Power Switch | 2N1481 | RCA | SNJ | Power Switch | Power Switch | 2N1482 | RCA | SNJ | Power Switch | Power Switch | 2N1483 | RCA | SNJ | Power Switch | Power Switch | 2N1484 | RCA | SNJ | Power Switch | Power Switch | 2N1485 | RCA | SNJ | Power Switch | Power Switch | 2N1486 | RCA | SNJ | Power Switch | Power Switch | 2N1487 | RCA | SNJ | Power Switch | Power Switch | 2N1488 | RCA | SNJ | Power Switch | Power Switch | 2N1489 | RCA | SNJ | Power Switch | Power Switch | 2N1490 | RCA | SNJ | Power Switch | Power Switch | 3N22 | WHI | GNG | RF Amplifier | RF Amplifier | 3N23 | BOG | GNG | RF Amplifier | RF Amplifier | 3N23A | BOG | GNG | RF Amplifier | RF Amplifier | 3N23B | BOG | GNG | RF Amplifier | RF Amplifier | 3N23C | BOG | GNG | RF Amplifier | RF Amplifier | 3N25 | TI | GPJ | VHF Amp | VHF Amp | 3N26 | TI | SNG | RF Amplifier | RF Amplifier | 3N27 | TI | SNG | RF Amplifier | RF Amplifier | 3N29 | GE | GNA | RF Amplifier | RF Amplifier | 3N30 | GE | GNA | RF Amplifier | RF Amplifier | 3N31 | GE | GNA | RF Amplifier | RF Amplifier | 3N32 | TI | SNG | RF Amplifier | RF Amplifier | 3N33 | TI | SNG | RF Amplifier | RF Amplifier | 3N34 | TI | SNG | RF Amplifier | RF Amplifier | 3N35 | TI | SNG | RF Amplifier | RF Amplifier | 3N36 | GE | GNG | RF Amplifier | RF Amplifier | 3N37 | GE | GNG | RF Amplifier | RF Amplifier | 4JD1B2 | GE | GPA | Switching | Switching | 4JD1B3 | GE | GPA | Switching | Switching | 4JD1B4 | GE | GPA | Switching | Switching | 4JD4A2 | GE | GNG | IF Amplifier | IF Amplifier | 4JD4A3 | GE | GNG | Switching | Switching | 4JD4A4 | GE | GNG | IF Amplifier | IF Amplifier | 4JD4A5 | GE | GNG | RF Amplifier | RF Amplifier | 5A | SPR | GC | Switching | Switching | 5B | CTP | SD | Photo Use | Photo Use | 5C | CTP | SD | Photo Use | Photo Use | 8D | SPR | GPA | AF Amplifier | AF Amplifier | 8E | SPR | GPA | AF Amplifier | AF Amplifier | 8F | SPR | GPA | AF Amplifier | AF Amplifier | 10A | CTP | SD | Photo Use | Photo Use | 10A | SPR | GPA | AF Amplifier | AF Amplifier | 10B | CTP | SD | Photo Use | Photo Use | 10B | SPR | GPA | AF Amplifier | AF Amplifier | 10C | SPR | GPA | AF Amplifier | AF Amplifier | 11A | CTP | SO | Photo Use | Photo Use | 11B | CTP | SD | Photo Use | Photo Use | ZJ | 12 | GE | SNG | AF Amplifier | CK | 13 | RK | GPA | RF Amplifier | ZJ | 13 | GE | GNG | AF Amplifier | MN | 13A | MOT | GPA | AF Amplifier | MN | 13B | MOT | GPA | AF Amplifier | MN | 13C | MOT | GPA | AF Amplifier | ZJ | 13 | GE | GNG | AF Amplifier | CK | 14 | RK | GPA | RF Amplifier | GT | 14 | GTC | GPA | AF Amplifier | RR | 14 | RR | GPA | AF Amplifier | ZJ | 14 | GE | SD | Switching | ZJ | 14H | GTC | GPA | AF Amplifier | OC | 16 | AMP | GPA | AF Power Amp | ZJ | 16 | CK | RR | AF Power Amp | CK | 17 | RR | RR | AF Power Amp | MN | 19 | MOT | GPA | AF Amplifier | GT | 20 | GTC | GPA | AF Amplifier | RR | 20 | RR | GPA | AF Amplifier | GT | 20H | GTC | GPA | AF Amplifier | MN | 21 | MOT | GPA | AF Power Amp | RR | 21 | RR | GPA | AF Amplifier | GT | 24 | GTC | GPA | AF Amplifier | MN | 24 | MOT | GPA | AF Power Amp | MN | 25 | MOT | GPA | AF Power Amp | CK | 26 | RK | MOT | Switching | MN | 26 | MOT | GPA | AF Power Amp | MN | 28 | MOT | GPA | AF Power Amp | MN | 29 | MOT | GPA | AF Power Amp | GT | 34 | GTC | GPA | AF Amplifier | RR | 34 | RR | GPA | AF Amplifier | T | 34A | NU | GPA | AF Amplifier | T | 34B | NU | GPA | AF Amplifier | T | 34C | NU | GPA | AF Amplifier | T | 34D | NU | GPA | AF Amplifier | T | 34E | NU | GPA | AF Amplifier | T | 34F | NU | GPA | AF Amplifier | GT | 34HV | GTC | GPA | Switching | GT | 34S | GTC | GPA | Detector | GT | 38 | GTC | GPA | AF Amplifier | RR | 38 | RR | GPA | AF Amplifier | OC | 44 | AMP | GPA | RF Amplifier | OC | 45 | AMP | GPA | RF Amplifier | OC | 50 | AMP | GC | Oscillator | OC | 51 | AMP | GC | Switching | OC | 65 | AMP | GC | AF Amplifier | CT | 66 | GTC | GPA | Photo Use | OC | 66 | AMP | GPA | AF Amplifier | RR | 66 | RR | SD | AF Amplifier | OC | 70 | AMP | GPA | AF Amplifier | OC | 71 | AMP | GPA | RF Amplifier | OC | 72 | AMP | GMA | AF Amplifier | ZJ | 72 | GE | GNG | VHF Amplifier | OC | 73 | AMP | GPA | AF Amplifier | ZJ | 73 | GE | GNG | AF Amplifier | GT | 74 | GTC | GPA | AF Amplifier | GT | 75 | GTC | GPA | AF Amplifier | OC | 76 | AMP | GPA | Switching | GT | 81 | GTC | GPA | AF Amplifier | GT | 81H | GTC | GPA | AF Amplifier | GT | 81HS | GTC | GPA | AF Amplifier | GT | 82 | GTC | GPA | Switching | GT | 83 | GTC | GPA | Switching | GT | 87 | GTC | GPA | Switching | GT | 88 | GTC | GPA | Switching | DR | 100 | TS | GPA | AF Amplifier | DR | 101 | TS | GPA | AF Amplifier | DR | 102 | TS | GPA | AF Amplifier | GT | 109 | GTC | GPA | AF Amplifier | GT | 122 | GTC | GPA | Switching | GT | 123 | GTC | GPA | Switching | RR | 125 | RR | GPA | AF Amplifier | DR | 126 | TS | GPA | AF Amplifier | DR | 128 | TS | GPA | AF Amplifier | DR | 129 | TS | GPA | General Use | DR | 130 | TS | GPA | General Use | DR | 131 | TS | GPA | General Use | DR | 132 | TS | GPA | General Use | DR | 139 | TS | GPA | General Use | DR | 147 | TS | GPA | AF Power Amp | GT | 153 | GT | GPA | Switching | DR | 154 | TS | GPA | General Use | DR | 155 | TS | GPA | General Use | TS | 161 | TS | GMA | AF Amplifier | TS | 162 | TS | GMA | General Use | TS | 163 | TS | GPA | AF Amplifier | TS | 164 | TS | GPA | AF Amplifier | TS | 165 | TS | GPA | AF Amplifier | TS | 166 | TS | GPA | AF Amplifier | GT | 167 | GTC | GPA | Switching | TS | 176 | TS | GPA | AF Power Amp | 200 | TI | GNG | GPA | General Use | 201 | TI | GNG | GPA | General Use | 202 | TI | GNG | GPA | General Use | 206 | TI | GNG | GPA | AF Amplifier | 207 | TI | GNG | GPA | AF Amplifier | 208 | TI | GNG | GPA | AF Amplifier | GT | 210 | GTC | GPA | Switching | 210 | TI | GNG | GPA | AF Amplifier | 220 | TI | GNG | GPA | AF Amplifier | 221 | TI | GNG | GPA | IF Amplifier | GT | 222 | GTC | GPA | General Use | 222 | TI | GNG | GPA | IF Amplifier | 223 | TI | GNG | GPA | Converter | 224 | TI | GNG | GPA | Detector | 225 | TI | GNG | GPA | IF Amplifier | 227 | TI | GNG | GPA | IF Amplifier | 228 | TI | GNG | GPA | Detector | GT | 229 | GTC | GNA | AF Amplifier | 234 | TI | CNA | IF Amplifier | IF Amplifier | 235 | TI | GNA | GPA | Converter | GT | 269 | GTC | GPA | RF Amplifier | 301 | TI | GPA | AF Amplifier | AF Amplifier | 302 | TI | GPA | AF Amplifier | AF Amplifier | 310 | TI | GPA | AF Amplifier | AF Amplifier | 310 | TI | GPA | AF Amplifier | AF Amplifier | | | | | | | | | | | | | | | | | | | | | | | | | | | | | | | | | | | | | | | | |
| 2N1295 | CBS | GPA | AF Amplifier | AF Amplifier | | | 2N1296 | CBS | GNA | AF Amplifier | AF Amplifier | | 2N1297 | CBS | GPA | AF Amplifier | AF Amplifier | | | 2N1298 | CBS | GNA | AF Amplifier | AF Amplifier | 2N1299 | SYL | GNA | Switching | Switching | 2N1300 | RCA | GPJ | Switching | Switching | 2N1301 | RCA | GPJ | Switching | Switching | 2N1310 | CTC | GNA | General Use | General Use | 2N1320 | CBS | GPA | AF Amplifier | AF Amplifier | 2N1321 | CBS | GNA | AF Amplifier | AF Amplifier | 2N1322 | CBS | GPA | AF Amplifier | AF Amplifier | 2N1323 | CBS | GNA | AF Amplifier | AF Amplifier | 2N1324 | CBS | GPA | AF Amplifier | AF Amplifier | 2N1325 | CBS | GNA | AF Amplifier | AF Amplifier | 2N1326 | CBS | GPA | AF Amplifier | AF Amplifier | 2N1327 | CBS | GNA | AF Amplifier | AF Amplifier | 2N1328 | CBS | GPA | AF Amplifier | AF Amplifier | 2N1329 | CBS | GNA | AF Amplifier | AF Amplifier | 2N1330 | CBS | GPA | AF Amplifier | AF Amplifier | 2N1331 | CBS | GNA | AF Amplifier | AF Amplifier | 2N1332 | CBS | GPA | AF Amplifier | AF Amplifier | 2N1333 | CBS | GNA | AF Amplifier | AF Amplifier | 2N1334 | CBS | GPA | AF Amplifier | AF Amplifier | 2N1358 | DEL | GPA | General Use | General Use | 2N1395 | RCA | GPD | RF Amplifier | RF Amplifier | 2N1396 | RCA | GPD | RF Amplifier | RF Amplifier | 2N1397 | RCA | GPD | RF Amplifier | RF Amplifier | 2N1425 | RCA | GPD | IF Amplifier | IF Amplifier | 2N1426 | RCA | GPD | Converter | Converter | 2N1431 | SYL | GNA | AF Amplifier | AF Amplifier | 2N1432 | SYL | GPD | RF Amplifier | RF Amplifier | 2N1479 | RCA | SNJ | Power Switch | Power Switch | 2N1480 | RCA | SNJ | Power Switch | Power Switch | 2N1481 | RCA | SNJ | Power Switch | Power Switch | 2N1482 | RCA | SNJ | Power Switch | Power Switch | 2N1483 | RCA | SNJ | Power Switch | Power Switch | 2N1484 | RCA | SNJ | Power Switch | Power Switch | 2N1485 | RCA | SNJ | Power Switch | Power Switch | 2N1486 | RCA | SNJ | Power Switch | Power Switch | 2N1487 | RCA | SNJ | Power Switch | Power Switch | 2N1488 | RCA | SNJ | Power Switch | Power Switch | 2N1489 | RCA | SNJ | Power Switch | Power Switch | 2N1490 | RCA | SNJ | Power Switch | Power Switch | 3N22 | WHI | GNG | RF Amplifier | RF Amplifier | 3N23 | BOG | GNG | RF Amplifier | RF Amplifier | 3N23A | BOG | GNG | RF Amplifier | RF Amplifier | 3N23B | BOG | GNG | RF Amplifier | RF Amplifier | 3N23C | BOG | GNG | RF Amplifier | RF Amplifier | 3N25 | TI | GPJ | VHF Amp | VHF Amp | 3N26 | TI | SNG | RF Amplifier | RF Amplifier | 3N27 | TI | SNG | RF Amplifier | RF Amplifier | 3N29 | GE | GNA | RF Amplifier | RF Amplifier | 3N30 | GE | GNA | RF Amplifier | RF Amplifier | 3N31 | GE | GNA | RF Amplifier | RF Amplifier | 3N32 | TI | SNG | RF Amplifier | RF Amplifier | 3N33 | TI | SNG | RF Amplifier | RF Amplifier | 3N34 | TI | SNG | RF Amplifier | RF Amplifier | 3N35 | TI | SNG | RF Amplifier | RF Amplifier | 3N36 | GE | GNG | RF Amplifier | RF Amplifier | 3N37 | GE | GNG | RF Amplifier | RF Amplifier | 4JD1B2 | GE | GPA | Switching | Switching | 4JD1B3 | GE | GPA | Switching | Switching | 4JD1B4 | GE | GPA | Switching | Switching | 4JD4A2 | GE | GNG | IF Amplifier | IF Amplifier | 4JD4A3 | GE | GNG | Switching | Switching | 4JD4A4 | GE | GNG | IF Amplifier | IF Amplifier | 4JD4A5 | GE | GNG | RF Amplifier | RF Amplifier | 5A | SPR | GC | Switching | Switching | 5B | CTP | SD | Photo Use | Photo Use | 5C | CTP | SD | Photo Use | Photo Use | 8D | SPR | GPA | AF Amplifier | AF Amplifier | 8E | SPR | GPA | AF Amplifier | AF Amplifier | 8F | SPR | GPA | AF Amplifier | AF Amplifier | 10A | CTP | SD | Photo Use | Photo Use | 10A | SPR | GPA | AF Amplifier | AF Amplifier | 10B | CTP | SD | Photo Use | Photo Use | 10B | SPR | GPA | AF Amplifier | AF Amplifier | 10C | SPR | GPA | AF Amplifier | AF Amplifier | 11A | CTP | SO | Photo Use | Photo Use | 11B | CTP | SD | Photo Use | Photo Use | ZJ | 12 | GE | SNG | AF Amplifier | CK | 13 | RK | GPA | RF Amplifier | ZJ | 13 | GE | GNG | AF Amplifier | MN | 13A | MOT | GPA | AF Amplifier | MN | 13B | MOT | GPA | AF Amplifier | MN | 13C | MOT | GPA | AF Amplifier | ZJ | 13 | GE | GNG | AF Amplifier | CK | 14 | RK | GPA | RF Amplifier | GT | 14 | GTC | GPA | AF Amplifier | RR | 14 | RR | GPA | AF Amplifier | ZJ | 14 | GE | SD | Switching | ZJ | 14H | GTC | GPA | AF Amplifier | OC | 16 | AMP | GPA | AF Power Amp | ZJ | 16 | CK | RR | AF Power Amp | CK | 17 | RR | RR | AF Power Amp | MN | 19 | MOT | GPA | AF Amplifier | GT | 20 | GTC | GPA | AF Amplifier | RR | 20 | RR | GPA | AF Amplifier | GT | 20H | GTC | GPA | AF Amplifier | MN | 21 | MOT | GPA | AF Power Amp | RR | 21 | RR | GPA | AF Amplifier | GT | 24 | GTC | GPA | AF Amplifier | MN | 24 | MOT | GPA | AF Power Amp | MN | 25 | MOT | GPA | AF Power Amp | CK | 26 | RK | MOT | Switching | MN | 26 | MOT | GPA | AF Power Amp | MN | 28 | MOT | GPA | AF Power Amp | MN | 29 | MOT | GPA | AF Power Amp | GT | 34 | GTC | GPA | AF Amplifier | RR | 34 | RR | GPA | AF Amplifier | T | 34A | NU | GPA | AF Amplifier | T | 34B | NU | GPA | AF Amplifier | T | 34C | NU | GPA | AF Amplifier | T | 34D | NU | GPA | AF Amplifier | T | 34E | NU | GPA | AF Amplifier | T | 34F | NU | GPA | AF Amplifier | GT | 34HV | GTC | GPA | Switching | GT | 34S | GTC | GPA | Detector | GT | 38 | GTC | GPA | AF Amplifier | RR | 38 | RR | GPA | AF Amplifier | OC | 44 | AMP | GPA | RF Amplifier | OC | 45 | AMP | GPA | RF Amplifier | OC | 50 | AMP | GC | Oscillator | OC | 51 | AMP | GC | Switching | OC | 65 | AMP | GC | AF Amplifier | CT | 66 | GTC | GPA | Photo Use | OC | 66 | AMP | GPA | AF Amplifier | RR | 66 | RR | SD | AF Amplifier | OC | 70 | AMP | GPA | AF Amplifier | OC | 71 | AMP | GPA | RF Amplifier | OC | 72 | AMP | GMA | AF Amplifier | ZJ | 72 | GE | GNG | VHF Amplifier | OC | 73 | AMP | GPA | AF Amplifier | ZJ | 73 | GE | GNG | AF Amplifier | GT | 74 | GTC | GPA | AF Amplifier | GT | 75 | GTC | GPA | AF Amplifier | OC | 76 | AMP | GPA | Switching | GT | 81 | GTC | GPA | AF Amplifier | GT | 81H | GTC | GPA | AF Amplifier | GT | 81HS | GTC | GPA | AF Amplifier | GT | 82 | GTC | GPA | Switching | GT | 83 | GTC | GPA | Switching | GT | 87 | GTC | GPA | Switching | GT | 88 | GTC | GPA | Switching | DR | 100 | TS | GPA | AF Amplifier | DR | 101 | TS | GPA | AF Amplifier | DR | 102 | TS | GPA | AF Amplifier | GT | 109 | GTC | GPA | AF Amplifier | GT | 122 | GTC | GPA | Switching | GT | 123 | GTC | GPA | Switching | RR | 125 | RR | GPA | AF Amplifier | DR | 126 | TS | GPA | AF Amplifier | DR | 128 | TS | GPA | AF Amplifier | DR | 129 | TS | GPA | General Use | DR | 130 | TS | GPA | General Use | DR | 131 | TS | GPA | General Use | DR | 132 | TS | GPA | General Use | DR | 139 | TS | GPA | General Use | DR | 147 | TS | GPA | AF Power Amp | GT | 153 | GT | GPA | Switching | DR | 154 | TS | GPA | General Use | DR | 155 | TS | GPA | General Use | TS | 161 | TS | GMA | AF Amplifier | TS | 162 | TS | GMA | General Use | TS | 163 | TS | GPA | AF Amplifier | TS | 164 | TS | GPA | AF Amplifier | TS | 165 | TS | GPA | AF Amplifier | TS | 166 | TS | GPA | AF Amplifier | GT | 167 | GTC | GPA | Switching | TS | 176 | TS | GPA | AF Power Amp | 200 | TI | GNG | GPA | General Use | 201 | TI | GNG | GPA | General Use | 202 | TI | GNG | GPA | General Use | 206 | TI | GNG | GPA | AF Amplifier | 207 | TI | GNG | GPA | AF Amplifier | 208 | TI | GNG | GPA | AF Amplifier | GT | 210 | GTC | GPA | Switching | 210 | TI | GNG | GPA | AF Amplifier | 220 | TI | GNG | GPA | AF Amplifier | 221 | TI | GNG | GPA | IF Amplifier | GT | 222 | GTC | GPA | General Use | 222 | TI | GNG | GPA | IF Amplifier | 223 | TI | GNG | GPA | Converter | 224 | TI | GNG | GPA | Detector | 225 | TI | GNG | GPA | IF Amplifier | 227 | TI | GNG | GPA | IF Amplifier | 228 | TI | GNG | GPA | Detector | GT | 229 | GTC | GNA | AF Amplifier | 234 | TI | CNA | IF Amplifier | IF Amplifier | 235 | TI | GNA | GPA | Converter | GT | 269 | GTC | GPA | RF Amplifier | 301 | TI | GPA | AF Amplifier | AF Amplifier | 302 | TI | GPA | AF Amplifier | AF Amplifier | 310 | TI | GPA | AF Amplifier | AF Amplifier | 310 | TI | GPA | AF Amplifier | AF Amplifier | | | | | | | | | | | | | | | | | | | | | | | | | | | | | | | | | | | | | | | | | | | | | |
| 2N1296 | CBS | GNA | AF Amplifier | AF Amplifier | | | 2N1297 | CBS | GPA | AF Amplifier | AF Amplifier | | 2N1298 | CBS | GNA | AF Amplifier | AF Amplifier | | | 2N1299 | SYL | GNA | Switching | Switching | 2N1300 | RCA | GPJ | Switching | Switching | 2N1301 | RCA | GPJ | Switching | Switching | 2N1310 | CTC | GNA | General Use | General Use | 2N1320 | CBS | GPA | AF Amplifier | AF Amplifier | 2N1321 | CBS | GNA | AF Amplifier | AF Amplifier | 2N1322 | CBS | GPA | AF Amplifier | AF Amplifier | 2N1323 | CBS | GNA | AF Amplifier | AF Amplifier | 2N1324 | CBS | GPA | AF Amplifier | AF Amplifier | 2N1325 | CBS | GNA | AF Amplifier | AF Amplifier | 2N1326 | CBS | GPA | AF Amplifier | AF Amplifier | 2N1327 | CBS | GNA | AF Amplifier | AF Amplifier | 2N1328 | CBS | GPA | AF Amplifier | AF Amplifier | 2N1329 | CBS | GNA | AF Amplifier | AF Amplifier | 2N1330 | CBS | GPA | AF Amplifier | AF Amplifier | 2N1331 | CBS | GNA | AF Amplifier | AF Amplifier | 2N1332 | CBS | GPA | AF Amplifier | AF Amplifier | 2N1333 | CBS | GNA | AF Amplifier | AF Amplifier | 2N1334 | CBS | GPA | AF Amplifier | AF Amplifier | 2N1358 | DEL | GPA | General Use | General Use | 2N1395 | RCA | GPD | RF Amplifier | RF Amplifier | 2N1396 | RCA | GPD | RF Amplifier | RF Amplifier | 2N1397 | RCA | GPD | RF Amplifier | RF Amplifier | 2N1425 | RCA | GPD | IF Amplifier | IF Amplifier | 2N1426 | RCA | GPD | Converter | Converter | 2N1431 | SYL | GNA | AF Amplifier | AF Amplifier | 2N1432 | SYL | GPD | RF Amplifier | RF Amplifier | 2N1479 | RCA | SNJ | Power Switch | Power Switch | 2N1480 | RCA | SNJ | Power Switch | Power Switch | 2N1481 | RCA | SNJ | Power Switch | Power Switch | 2N1482 | RCA | SNJ | Power Switch | Power Switch | 2N1483 | RCA | SNJ | Power Switch | Power Switch | 2N1484 | RCA | SNJ | Power Switch | Power Switch | 2N1485 | RCA | SNJ | Power Switch | Power Switch | 2N1486 | RCA | SNJ | Power Switch | Power Switch | 2N1487 | RCA | SNJ | Power Switch | Power Switch | 2N1488 | RCA | SNJ | Power Switch | Power Switch | 2N1489 | RCA | SNJ | Power Switch | Power Switch | 2N1490 | RCA | SNJ | Power Switch | Power Switch | 3N22 | WHI | GNG | RF Amplifier | RF Amplifier | 3N23 | BOG | GNG | RF Amplifier | RF Amplifier | 3N23A | BOG | GNG | RF Amplifier | RF Amplifier | 3N23B | BOG | GNG | RF Amplifier | RF Amplifier | 3N23C | BOG | GNG | RF Amplifier | RF Amplifier | 3N25 | TI | GPJ | VHF Amp | VHF Amp | 3N26 | TI | SNG | RF Amplifier | RF Amplifier | 3N27 | TI | SNG | RF Amplifier | RF Amplifier | 3N29 | GE | GNA | RF Amplifier | RF Amplifier | 3N30 | GE | GNA | RF Amplifier | RF Amplifier | 3N31 | GE | GNA | RF Amplifier | RF Amplifier | 3N32 | TI | SNG | RF Amplifier | RF Amplifier | 3N33 | TI | SNG | RF Amplifier | RF Amplifier | 3N34 | TI | SNG | RF Amplifier | RF Amplifier | 3N35 | TI | SNG | RF Amplifier | RF Amplifier | 3N36 | GE | GNG | RF Amplifier | RF Amplifier | 3N37 | GE | GNG | RF Amplifier | RF Amplifier | 4JD1B2 | GE | GPA | Switching | Switching | 4JD1B3 | GE | GPA | Switching | Switching | 4JD1B4 | GE | GPA | Switching | Switching | 4JD4A2 | GE | GNG | IF Amplifier | IF Amplifier | 4JD4A3 | GE | GNG | Switching | Switching | 4JD4A4 | GE | GNG | IF Amplifier | IF Amplifier | 4JD4A5 | GE | GNG | RF Amplifier | RF Amplifier | 5A | SPR | GC | Switching | Switching | 5B | CTP | SD | Photo Use | Photo Use | 5C | CTP | SD | Photo Use | Photo Use | 8D | SPR | GPA | AF Amplifier | AF Amplifier | 8E | SPR | GPA | AF Amplifier | AF Amplifier | 8F | SPR | GPA | AF Amplifier | AF Amplifier | 10A | CTP | SD | Photo Use | Photo Use | 10A | SPR | GPA | AF Amplifier | AF Amplifier | 10B | CTP | SD | Photo Use | Photo Use | 10B | SPR | GPA | AF Amplifier | AF Amplifier | 10C | SPR | GPA | AF Amplifier | AF Amplifier | 11A | CTP | SO | Photo Use | Photo Use | 11B | CTP | SD | Photo Use | Photo Use | ZJ | 12 | GE | SNG | AF Amplifier | CK | 13 | RK | GPA | RF Amplifier | ZJ | 13 | GE | GNG | AF Amplifier | MN | 13A | MOT | GPA | AF Amplifier | MN | 13B | MOT | GPA | AF Amplifier | MN | 13C | MOT | GPA | AF Amplifier | ZJ | 13 | GE | GNG | AF Amplifier | CK | 14 | RK | GPA | RF Amplifier | GT | 14 | GTC | GPA | AF Amplifier | RR | 14 | RR | GPA | AF Amplifier | ZJ | 14 | GE | SD | Switching | ZJ | 14H | GTC | GPA | AF Amplifier | OC | 16 | AMP | GPA | AF Power Amp | ZJ | 16 | CK | RR | AF Power Amp | CK | 17 | RR | RR | AF Power Amp | MN | 19 | MOT | GPA | AF Amplifier | GT | 20 | GTC | GPA | AF Amplifier | RR | 20 | RR | GPA | AF Amplifier | GT | 20H | GTC | GPA | AF Amplifier | MN | 21 | MOT | GPA | AF Power Amp | RR | 21 | RR | GPA | AF Amplifier | GT | 24 | GTC | GPA | AF Amplifier | MN | 24 | MOT | GPA | AF Power Amp | MN | 25 | MOT | GPA | AF Power Amp | CK | 26 | RK | MOT | Switching | MN | 26 | MOT | GPA | AF Power Amp | MN | 28 | MOT | GPA | AF Power Amp | MN | 29 | MOT | GPA | AF Power Amp | GT | 34 | GTC | GPA | AF Amplifier | RR | 34 | RR | GPA | AF Amplifier | T | 34A | NU | GPA | AF Amplifier | T | 34B | NU | GPA | AF Amplifier | T | 34C | NU | GPA | AF Amplifier | T | 34D | NU | GPA | AF Amplifier | T | 34E | NU | GPA | AF Amplifier | T | 34F | NU | GPA | AF Amplifier | GT | 34HV | GTC | GPA | Switching | GT | 34S | GTC | GPA | Detector | GT | 38 | GTC | GPA | AF Amplifier | RR | 38 | RR | GPA | AF Amplifier | OC | 44 | AMP | GPA | RF Amplifier | OC | 45 | AMP | GPA | RF Amplifier | OC | 50 | AMP | GC | Oscillator | OC | 51 | AMP | GC | Switching | OC | 65 | AMP | GC | AF Amplifier | CT | 66 | GTC | GPA | Photo Use | OC | 66 | AMP | GPA | AF Amplifier | RR | 66 | RR | SD | AF Amplifier | OC | 70 | AMP | GPA | AF Amplifier | OC | 71 | AMP | GPA | RF Amplifier | OC | 72 | AMP | GMA | AF Amplifier | ZJ | 72 | GE | GNG | VHF Amplifier | OC | 73 | AMP | GPA | AF Amplifier | ZJ | 73 | GE | GNG | AF Amplifier | GT | 74 | GTC | GPA | AF Amplifier | GT | 75 | GTC | GPA | AF Amplifier | OC | 76 | AMP | GPA | Switching | GT | 81 | GTC | GPA | AF Amplifier | GT | 81H | GTC | GPA | AF Amplifier | GT | 81HS | GTC | GPA | AF Amplifier | GT | 82 | GTC | GPA | Switching | GT | 83 | GTC | GPA | Switching | GT | 87 | GTC | GPA | Switching | GT | 88 | GTC | GPA | Switching | DR | 100 | TS | GPA | AF Amplifier | DR | 101 | TS | GPA | AF Amplifier | DR | 102 | TS | GPA | AF Amplifier | GT | 109 | GTC | GPA | AF Amplifier | GT | 122 | GTC | GPA | Switching | GT | 123 | GTC | GPA | Switching | RR | 125 | RR | GPA | AF Amplifier | DR | 126 | TS | GPA | AF Amplifier | DR | 128 | TS | GPA | AF Amplifier | DR | 129 | TS | GPA | General Use | DR | 130 | TS | GPA | General Use | DR | 131 | TS | GPA | General Use | DR | 132 | TS | GPA | General Use | DR | 139 | TS | GPA | General Use | DR | 147 | TS | GPA | AF Power Amp | GT | 153 | GT | GPA | Switching | DR | 154 | TS | GPA | General Use | DR | 155 | TS | GPA | General Use | TS | 161 | TS | GMA | AF Amplifier | TS | 162 | TS | GMA | General Use | TS | 163 | TS | GPA | AF Amplifier | TS | 164 | TS | GPA | AF Amplifier | TS | 165 | TS | GPA | AF Amplifier | TS | 166 | TS | GPA | AF Amplifier | GT | 167 | GTC | GPA | Switching | TS | 176 | TS | GPA | AF Power Amp | 200 | TI | GNG | GPA | General Use | 201 | TI | GNG | GPA | General Use | 202 | TI | GNG | GPA | General Use | 206 | TI | GNG | GPA | AF Amplifier | 207 | TI | GNG | GPA | AF Amplifier | 208 | TI | GNG | GPA | AF Amplifier | GT | 210 | GTC | GPA | Switching | 210 | TI | GNG | GPA | AF Amplifier | 220 | TI | GNG | GPA | AF Amplifier | 221 | TI | GNG | GPA | IF Amplifier | GT | 222 | GTC | GPA | General Use | 222 | TI | GNG | GPA | IF Amplifier | 223 | TI | GNG | GPA | Converter | 224 | TI | GNG | GPA | Detector | 225 | TI | GNG | GPA | IF Amplifier | 227 | TI | GNG | GPA | IF Amplifier | 228 | TI | GNG | GPA | Detector | GT | 229 | GTC | GNA | AF Amplifier | 234 | TI | CNA | IF Amplifier | IF Amplifier | 235 | TI | GNA | GPA | Converter | GT | 269 | GTC | GPA | RF Amplifier | 301 | TI | GPA | AF Amplifier | AF Amplifier | 302 | TI | GPA | AF Amplifier | AF Amplifier | 310 | TI | GPA | AF Amplifier | AF Amplifier | 310 | TI | GPA | AF Amplifier | AF Amplifier | | | | | | | | | | | | | | | | | | | | | | | | | | | | | | | | | | | | | | | | | | | | | | | | | | |
| 2N1297 | CBS | GPA | AF Amplifier | AF Amplifier | 2N1298 | CBS | GNA | AF Amplifier | AF Amplifier | 2N1299 | SYL | GNA | Switching | Switching | 2N1300 | RCA | GPJ | Switching | Switching | 2N1301 | RCA | GPJ | Switching | Switching | 2N1310 | CTC | GNA | General Use | General Use | 2N1320 | CBS | GPA | AF Amplifier | AF Amplifier | 2N1321 | CBS | GNA | AF Amplifier | AF Amplifier | 2N1322 | CBS | GPA | AF Amplifier | AF Amplifier | 2N1323 | CBS | GNA | AF Amplifier | AF Amplifier | 2N1324 | CBS | GPA | AF Amplifier | AF Amplifier | 2N1325 | CBS | GNA | AF Amplifier | AF Amplifier | 2N1326 | CBS | GPA | AF Amplifier | AF Amplifier | 2N1327 | CBS | GNA | AF Amplifier | AF Amplifier | 2N1328 | CBS | GPA | AF Amplifier | AF Amplifier | 2N1329 | CBS | GNA | AF Amplifier | AF Amplifier | 2N1330 | CBS | GPA | AF Amplifier | AF Amplifier | 2N1331 | CBS | GNA | AF Amplifier | AF Amplifier | 2N1332 | CBS | GPA | AF Amplifier | AF Amplifier | 2N1333 | CBS | GNA | AF Amplifier | AF Amplifier | 2N1334 | CBS | GPA | AF Amplifier | AF Amplifier | 2N1358 | DEL | GPA | General Use | General Use | 2N1395 | RCA | GPD | RF Amplifier | RF Amplifier | 2N1396 | RCA | GPD | RF Amplifier | RF Amplifier | 2N1397 | RCA | GPD | RF Amplifier | RF Amplifier | 2N1425 | RCA | GPD | IF Amplifier | IF Amplifier | 2N1426 | RCA | GPD | Converter | Converter | 2N1431 | SYL | GNA | AF Amplifier | AF Amplifier | 2N1432 | SYL | GPD | RF Amplifier | RF Amplifier | 2N1479 | RCA | SNJ | Power Switch | Power Switch | 2N1480 | RCA | SNJ | Power Switch | Power Switch | 2N1481 | RCA | SNJ | Power Switch | Power Switch | 2N1482 | RCA | SNJ | Power Switch | Power Switch | 2N1483 | RCA | SNJ | Power Switch | Power Switch | 2N1484 | RCA | SNJ | Power Switch | Power Switch | 2N1485 | RCA | SNJ | Power Switch | Power Switch | 2N1486 | RCA | SNJ | Power Switch | Power Switch | 2N1487 | RCA | SNJ | Power Switch | Power Switch | 2N1488 | RCA | SNJ | Power Switch | Power Switch | 2N1489 | RCA | SNJ | Power Switch | Power Switch | 2N1490 | RCA | SNJ | Power Switch | Power Switch | 3N22 | WHI | GNG | RF Amplifier | RF Amplifier | 3N23 | BOG | GNG | RF Amplifier | RF Amplifier | 3N23A | BOG | GNG | RF Amplifier | RF Amplifier | 3N23B | BOG | GNG | RF Amplifier | RF Amplifier | 3N23C | BOG | GNG | RF Amplifier | RF Amplifier | 3N25 | TI | GPJ | VHF Amp | VHF Amp | 3N26 | TI | SNG | RF Amplifier | RF Amplifier | 3N27 | TI | SNG | RF Amplifier | RF Amplifier | 3N29 | GE | GNA | RF Amplifier | RF Amplifier | 3N30 | GE | GNA | RF Amplifier | RF Amplifier | 3N31 | GE | GNA | RF Amplifier | RF Amplifier | 3N32 | TI | SNG | RF Amplifier | RF Amplifier | 3N33 | TI | SNG | RF Amplifier | RF Amplifier | 3N34 | TI | SNG | RF Amplifier | RF Amplifier | 3N35 | TI | SNG | RF Amplifier | RF Amplifier | 3N36 | GE | GNG | RF Amplifier | RF Amplifier | 3N37 | GE | GNG | RF Amplifier | RF Amplifier | 4JD1B2 | GE | GPA | Switching | Switching | 4JD1B3 | GE | GPA | Switching | Switching | 4JD1B4 | GE | GPA | Switching | Switching | 4JD4A2 | GE | GNG | IF Amplifier | IF Amplifier | 4JD4A3 | GE | GNG | Switching | Switching | 4JD4A4 | GE | GNG | IF Amplifier | IF Amplifier | 4JD4A5 | GE | GNG | RF Amplifier | RF Amplifier | 5A | SPR | GC | Switching | Switching | 5B | CTP | SD | Photo Use | Photo Use | 5C | CTP | SD | Photo Use | Photo Use | 8D | SPR | GPA | AF Amplifier | AF Amplifier | 8E | SPR | GPA | AF Amplifier | AF Amplifier | 8F | SPR | GPA | AF Amplifier | AF Amplifier | 10A | CTP | SD | Photo Use | Photo Use | 10A | SPR | GPA | AF Amplifier | AF Amplifier | 10B | CTP | SD | Photo Use | Photo Use | 10B | SPR | GPA | AF Amplifier | AF Amplifier | 10C | SPR | GPA | AF Amplifier | AF Amplifier | 11A | CTP | SO | Photo Use | Photo Use | 11B | CTP | SD | Photo Use | Photo Use | ZJ | 12 | GE | SNG | AF Amplifier | CK | 13 | RK | GPA | RF Amplifier | ZJ | 13 | GE | GNG | AF Amplifier | MN | 13A | MOT | GPA | AF Amplifier | MN | 13B | MOT | GPA | AF Amplifier | MN | 13C | MOT | GPA | AF Amplifier | ZJ | 13 | GE | GNG | AF Amplifier | CK | 14 | RK | GPA | RF Amplifier | GT | 14 | GTC | GPA | AF Amplifier | RR | 14 | RR | GPA | AF Amplifier | ZJ | 14 | GE | SD | Switching | ZJ | 14H | GTC | GPA | AF Amplifier | OC | 16 | AMP | GPA | AF Power Amp | ZJ | 16 | CK | RR | AF Power Amp | CK | 17 | RR | RR | AF Power Amp | MN | 19 | MOT | GPA | AF Amplifier | GT | 20 | GTC | GPA | AF Amplifier | RR | 20 | RR | GPA | AF Amplifier | GT | 20H | GTC | GPA | AF Amplifier | MN | 21 | MOT | GPA | AF Power Amp | RR | 21 | RR | GPA | AF Amplifier | GT | 24 | GTC | GPA | AF Amplifier | MN | 24 | MOT | GPA | AF Power Amp | MN | 25 | MOT | GPA | AF Power Amp | CK | 26 | RK | MOT | Switching | MN | 26 | MOT | GPA | AF Power Amp | MN | 28 | MOT | GPA | AF Power Amp | MN | 29 | MOT | GPA | AF Power Amp | GT | 34 | GTC | GPA | AF Amplifier | RR | 34 | RR | GPA | AF Amplifier | T | 34A | NU | GPA | AF Amplifier | T | 34B | NU | GPA | AF Amplifier | T | 34C | NU | GPA | AF Amplifier | T | 34D | NU | GPA | AF Amplifier | T | 34E | NU | GPA | AF Amplifier | T | 34F | NU | GPA | AF Amplifier | GT | 34HV | GTC | GPA | Switching | GT | 34S | GTC | GPA | Detector | GT | 38 | GTC | GPA | AF Amplifier | RR | 38 | RR | GPA | AF Amplifier | OC | 44 | AMP | GPA | RF Amplifier | OC | 45 | AMP | GPA | RF Amplifier | OC | 50 | AMP | GC | Oscillator | OC | 51 | AMP | GC | Switching | OC | 65 | AMP | GC | AF Amplifier | CT | 66 | GTC | GPA | Photo Use | OC | 66 | AMP | GPA | AF Amplifier | RR | 66 | RR | SD | AF Amplifier | OC | 70 | AMP | GPA | AF Amplifier | OC | 71 | AMP | GPA | RF Amplifier | OC | 72 | AMP | GMA | AF Amplifier | ZJ | 72 | GE | GNG | VHF Amplifier | OC | 73 | AMP | GPA | AF Amplifier | ZJ | 73 | GE | GNG | AF Amplifier | GT | 74 | GTC | GPA | AF Amplifier | GT | 75 | GTC | GPA | AF Amplifier | OC | 76 | AMP | GPA | Switching | GT | 81 | GTC | GPA | AF Amplifier | GT | 81H | GTC | GPA | AF Amplifier | GT | 81HS | GTC | GPA | AF Amplifier | GT | 82 | GTC | GPA | Switching | GT | 83 | GTC | GPA | Switching | GT | 87 | GTC | GPA | Switching | GT | 88 | GTC | GPA | Switching | DR | 100 | TS | GPA | AF Amplifier | DR | 101 | TS | GPA | AF Amplifier | DR | 102 | TS | GPA | AF Amplifier | GT | 109 | GTC | GPA | AF Amplifier | GT | 122 | GTC | GPA | Switching | GT | 123 | GTC | GPA | Switching | RR | 125 | RR | GPA | AF Amplifier | DR | 126 | TS | GPA | AF Amplifier | DR | 128 | TS | GPA | AF Amplifier | DR | 129 | TS | GPA | General Use | DR | 130 | TS | GPA | General Use | DR | 131 | TS | GPA | General Use | DR | 132 | TS | GPA | General Use | DR | 139 | TS | GPA | General Use | DR | 147 | TS | GPA | AF Power Amp | GT | 153 | GT | GPA | Switching | DR | 154 | TS | GPA | General Use | DR | 155 | TS | GPA | General Use | TS | 161 | TS | GMA | AF Amplifier | TS | 162 | TS | GMA | General Use | TS | 163 | TS | GPA | AF Amplifier | TS | 164 | TS | GPA | AF Amplifier | TS | 165 | TS | GPA | AF Amplifier | TS | 166 | TS | GPA | AF Amplifier | GT | 167 | GTC | GPA | Switching | TS | 176 | TS | GPA | AF Power Amp | 200 | TI | GNG | GPA | General Use | 201 | TI | GNG | GPA | General Use | 202 | TI | GNG | GPA | General Use | 206 | TI | GNG | GPA | AF Amplifier | 207 | TI | GNG | GPA | AF Amplifier | 208 | TI | GNG | GPA | AF Amplifier | GT | 210 | GTC | GPA | Switching | 210 | TI | GNG | GPA | AF Amplifier | 220 | TI | GNG | GPA | AF Amplifier | 221 | TI | GNG | GPA | IF Amplifier | GT | 222 | GTC | GPA | General Use | 222 | TI | GNG | GPA | IF Amplifier | 223 | TI | GNG | GPA | Converter | 224 | TI | GNG | GPA | Detector | 225 | TI | GNG | GPA | IF Amplifier | 227 | TI | GNG | GPA | IF Amplifier | 228 | TI | GNG | GPA | Detector | GT | 229 | GTC | GNA | AF Amplifier | 234 | TI | CNA | IF Amplifier | IF Amplifier | 235 | TI | GNA | GPA | Converter | GT | 269 | GTC | GPA | RF Amplifier | 301 | TI | GPA | AF Amplifier | AF Amplifier | 302 | TI | GPA | AF Amplifier | AF Amplifier | 310 | TI | GPA | AF Amplifier | AF Amplifier | 310 | TI | GPA | AF Amplifier | AF Amplifier | | | | | | | | | | | | | | | | | | | | | | | | | | | | | | | | | | | | | | | | | | | | | | | | | | | | | | | | | | | | |
| 2N1298 | CBS | GNA | AF Amplifier | AF Amplifier | 2N1299 | SYL | GNA | Switching | Switching | 2N1300 | RCA | GPJ | Switching | Switching | 2N1301 | RCA | GPJ | Switching | Switching | 2N1310 | CTC | GNA | General Use | General Use | 2N1320 | CBS | GPA | AF Amplifier | AF Amplifier | 2N1321 | CBS | GNA | AF Amplifier | AF Amplifier | 2N1322 | CBS | GPA | AF Amplifier | AF Amplifier | 2N1323 | CBS | GNA | AF Amplifier | AF Amplifier | 2N1324 | CBS | GPA | AF Amplifier | AF Amplifier | 2N1325 | CBS | GNA | AF Amplifier | AF Amplifier | 2N1326 | CBS | GPA | AF Amplifier | AF Amplifier | 2N1327 | CBS | GNA | AF Amplifier | AF Amplifier | 2N1328 | CBS | GPA | AF Amplifier | AF Amplifier | 2N1329 | CBS | GNA | AF Amplifier | AF Amplifier | 2N1330 | CBS | GPA | AF Amplifier | AF Amplifier | 2N1331 | CBS | GNA | AF Amplifier | AF Amplifier | 2N1332 | CBS | GPA | AF Amplifier | AF Amplifier | 2N1333 | CBS | GNA | AF Amplifier | AF Amplifier | 2N1334 | CBS | GPA | AF Amplifier | AF Amplifier | 2N1358 | DEL | GPA | General Use | General Use | 2N1395 | RCA | GPD | RF Amplifier | RF Amplifier | 2N1396 | RCA | GPD | RF Amplifier | RF Amplifier | 2N1397 | RCA | GPD | RF Amplifier | RF Amplifier | 2N1425 | RCA | GPD | IF Amplifier | IF Amplifier | 2N1426 | RCA | GPD | Converter | Converter | 2N1431 | SYL | GNA | AF Amplifier | AF Amplifier | 2N1432 | SYL | GPD | RF Amplifier | RF Amplifier | 2N1479 | RCA | SNJ | Power Switch | Power Switch | 2N1480 | RCA | SNJ | Power Switch | Power Switch | 2N1481 | RCA | SNJ | Power Switch | Power Switch | 2N1482 | RCA | SNJ | Power Switch | Power Switch | 2N1483 | RCA | SNJ | Power Switch | Power Switch | 2N1484 | RCA | SNJ | Power Switch | Power Switch | 2N1485 | RCA | SNJ | Power Switch | Power Switch | 2N1486 | RCA | SNJ | Power Switch | Power Switch | 2N1487 | RCA | SNJ | Power Switch | Power Switch | 2N1488 | RCA | SNJ | Power Switch | Power Switch | 2N1489 | RCA | SNJ | Power Switch | Power Switch | 2N1490 | RCA | SNJ | Power Switch | Power Switch | 3N22 | WHI | GNG | RF Amplifier | RF Amplifier | 3N23 | BOG | GNG | RF Amplifier | RF Amplifier | 3N23A | BOG | GNG | RF Amplifier | RF Amplifier | 3N23B | BOG | GNG | RF Amplifier | RF Amplifier | 3N23C | BOG | GNG | RF Amplifier | RF Amplifier | 3N25 | TI | GPJ | VHF Amp | VHF Amp | 3N26 | TI | SNG | RF Amplifier | RF Amplifier | 3N27 | TI | SNG | RF Amplifier | RF Amplifier | 3N29 | GE | GNA | RF Amplifier | RF Amplifier | 3N30 | GE | GNA | RF Amplifier | RF Amplifier | 3N31 | GE | GNA | RF Amplifier | RF Amplifier | 3N32 | TI | SNG | RF Amplifier | RF Amplifier | 3N33 | TI | SNG | RF Amplifier | RF Amplifier | 3N34 | TI | SNG | RF Amplifier | RF Amplifier | 3N35 | TI | SNG | RF Amplifier | RF Amplifier | 3N36 | GE | GNG | RF Amplifier | RF Amplifier | 3N37 | GE | GNG | RF Amplifier | RF Amplifier | 4JD1B2 | GE | GPA | Switching | Switching | 4JD1B3 | GE | GPA | Switching | Switching | 4JD1B4 | GE | GPA | Switching | Switching | 4JD4A2 | GE | GNG | IF Amplifier | IF Amplifier | 4JD4A3 | GE | GNG | Switching | Switching | 4JD4A4 | GE | GNG | IF Amplifier | IF Amplifier | 4JD4A5 | GE | GNG | RF Amplifier | RF Amplifier | 5A | SPR | GC | Switching | Switching | 5B | CTP | SD | Photo Use | Photo Use | 5C | CTP | SD | Photo Use | Photo Use | 8D | SPR | GPA | AF Amplifier | AF Amplifier | 8E | SPR | GPA | AF Amplifier | AF Amplifier | 8F | SPR | GPA | AF Amplifier | AF Amplifier | 10A | CTP | SD | Photo Use | Photo Use | 10A | SPR | GPA | AF Amplifier | AF Amplifier | 10B | CTP | SD | Photo Use | Photo Use | 10B | SPR | GPA | AF Amplifier | AF Amplifier | 10C | SPR | GPA | AF Amplifier | AF Amplifier | 11A | CTP | SO | Photo Use | Photo Use | 11B | CTP | SD | Photo Use | Photo Use | ZJ | 12 | GE | SNG | AF Amplifier | CK | 13 | RK | GPA | RF Amplifier | ZJ | 13 | GE | GNG | AF Amplifier | MN | 13A | MOT | GPA | AF Amplifier | MN | 13B | MOT | GPA | AF Amplifier | MN | 13C | MOT | GPA | AF Amplifier | ZJ | 13 | GE | GNG | AF Amplifier | CK | 14 | RK | GPA | RF Amplifier | GT | 14 | GTC | GPA | AF Amplifier | RR | 14 | RR | GPA | AF Amplifier | ZJ | 14 | GE | SD | Switching | ZJ | 14H | GTC | GPA | AF Amplifier | OC | 16 | AMP | GPA | AF Power Amp | ZJ | 16 | CK | RR | AF Power Amp | CK | 17 | RR | RR | AF Power Amp | MN | 19 | MOT | GPA | AF Amplifier | GT | 20 | GTC | GPA | AF Amplifier | RR | 20 | RR | GPA | AF Amplifier | GT | 20H | GTC | GPA | AF Amplifier | MN | 21 | MOT | GPA | AF Power Amp | RR | 21 | RR | GPA | AF Amplifier | GT | 24 | GTC | GPA | AF Amplifier | MN | 24 | MOT | GPA | AF Power Amp | MN | 25 | MOT | GPA | AF Power Amp | CK | 26 | RK | MOT | Switching | MN | 26 | MOT | GPA | AF Power Amp | MN | 28 | MOT | GPA | AF Power Amp | MN | 29 | MOT | GPA | AF Power Amp | GT | 34 | GTC | GPA | AF Amplifier | RR | 34 | RR | GPA | AF Amplifier | T | 34A | NU | GPA | AF Amplifier | T | 34B | NU | GPA | AF Amplifier | T | 34C | NU | GPA | AF Amplifier | T | 34D | NU | GPA | AF Amplifier | T | 34E | NU | GPA | AF Amplifier | T | 34F | NU | GPA | AF Amplifier | GT | 34HV | GTC | GPA | Switching | GT | 34S | GTC | GPA | Detector | GT | 38 | GTC | GPA | AF Amplifier | RR | 38 | RR | GPA | AF Amplifier | OC | 44 | AMP | GPA | RF Amplifier | OC | 45 | AMP | GPA | RF Amplifier | OC | 50 | AMP | GC | Oscillator | OC | 51 | AMP | GC | Switching | OC | 65 | AMP | GC | AF Amplifier | CT | 66 | GTC | GPA | Photo Use | OC | 66 | AMP | GPA | AF Amplifier | RR | 66 | RR | SD | AF Amplifier | OC | 70 | AMP | GPA | AF Amplifier | OC | 71 | AMP | GPA | RF Amplifier | OC | 72 | AMP | GMA | AF Amplifier | ZJ | 72 | GE | GNG | VHF Amplifier | OC | 73 | AMP | GPA | AF Amplifier | ZJ | 73 | GE | GNG | AF Amplifier | GT | 74 | GTC | GPA | AF Amplifier | GT | 75 | GTC | GPA | AF Amplifier | OC | 76 | AMP | GPA | Switching | GT | 81 | GTC | GPA | AF Amplifier | GT | 81H | GTC | GPA | AF Amplifier | GT | 81HS | GTC | GPA | AF Amplifier | GT | 82 | GTC | GPA | Switching | GT | 83 | GTC | GPA | Switching | GT | 87 | GTC | GPA | Switching | GT | 88 | GTC | GPA | Switching | DR | 100 | TS | GPA | AF Amplifier | DR | 101 | TS | GPA | AF Amplifier | DR | 102 | TS | GPA | AF Amplifier | GT | 109 | GTC | GPA | AF Amplifier | GT | 122 | GTC | GPA | Switching | GT | 123 | GTC | GPA | Switching | RR | 125 | RR | GPA | AF Amplifier | DR | 126 | TS | GPA | AF Amplifier | DR | 128 | TS | GPA | AF Amplifier | DR | 129 | TS | GPA | General Use | DR | 130 | TS | GPA | General Use | DR | 131 | TS | GPA | General Use | DR | 132 | TS | GPA | General Use | DR | 139 | TS | GPA | General Use | DR | 147 | TS | GPA | AF Power Amp | GT | 153 | GT | GPA | Switching | DR | 154 | TS | GPA | General Use | DR | 155 | TS | GPA | General Use | TS | 161 | TS | GMA | AF Amplifier | TS | 162 | TS | GMA | General Use | TS | 163 | TS | GPA | AF Amplifier | TS | 164 | TS | GPA | AF Amplifier | TS | 165 | TS | GPA | AF Amplifier | TS | 166 | TS | GPA | AF Amplifier | GT | 167 | GTC | GPA | Switching | TS | 176 | TS | GPA | AF Power Amp | 200 | TI | GNG | GPA | General Use | 201 | TI | GNG | GPA | General Use | 202 | TI | GNG | GPA | General Use | 206 | TI | GNG | GPA | AF Amplifier | 207 | TI | GNG | GPA | AF Amplifier | 208 | TI | GNG | GPA | AF Amplifier | GT | 210 | GTC | GPA | Switching | 210 | TI | GNG | GPA | AF Amplifier | 220 | TI | GNG | GPA | AF Amplifier | 221 | TI | GNG | GPA | IF Amplifier | GT | 222 | GTC | GPA | General Use | 222 | TI | GNG | GPA | IF Amplifier | 223 | TI | GNG | GPA | Converter | 224 | TI | GNG | GPA | Detector | 225 | TI | GNG | GPA | IF Amplifier | 227 | TI | GNG | GPA | IF Amplifier | 228 | TI | GNG | GPA | Detector | GT | 229 | GTC | GNA | AF Amplifier | 234 | TI | CNA | IF Amplifier | IF Amplifier | 235 | TI | GNA | GPA | Converter | GT | 269 | GTC | GPA | RF Amplifier | 301 | TI | GPA | AF Amplifier | AF Amplifier | 302 | TI | GPA | AF Amplifier | AF Amplifier | 310 | TI | GPA | AF Amplifier | AF Amplifier | 310 | TI | GPA | AF Amplifier | AF Amplifier | | | | | | | | | | | | | | | | | | | | | | | | | | | | | | | | | | | | | | | | | | | | | | | | | | | | | | | | | | | | | | | | | |
| 2N1299 | SYL | GNA | Switching | Switching | 2N1300 | RCA | GPJ | Switching | Switching | 2N1301 | RCA | GPJ | Switching | Switching | 2N1310 | CTC | GNA | General Use | General Use | 2N1320 | CBS | GPA | AF Amplifier | AF Amplifier | 2N1321 | CBS | GNA | AF Amplifier | AF Amplifier | 2N1322 | CBS | GPA | AF Amplifier | AF Amplifier | 2N1323 | CBS | GNA | AF Amplifier | AF Amplifier | 2N1324 | CBS | GPA | AF Amplifier | AF Amplifier | 2N1325 | CBS | GNA | AF Amplifier | AF Amplifier | 2N1326 | CBS | GPA | AF Amplifier | AF Amplifier | 2N1327 | CBS | GNA | AF Amplifier | AF Amplifier | 2N1328 | CBS | GPA | AF Amplifier | AF Amplifier | 2N1329 | CBS | GNA | AF Amplifier | AF Amplifier | 2N1330 | CBS | GPA | AF Amplifier | AF Amplifier | 2N1331 | CBS | GNA | AF Amplifier | AF Amplifier | 2N1332 | CBS | GPA | AF Amplifier | AF Amplifier | 2N1333 | CBS | GNA | AF Amplifier | AF Amplifier | 2N1334 | CBS | GPA | AF Amplifier | AF Amplifier | 2N1358 | DEL | GPA | General Use | General Use | 2N1395 | RCA | GPD | RF Amplifier | RF Amplifier | 2N1396 | RCA | GPD | RF Amplifier | RF Amplifier | 2N1397 | RCA | GPD | RF Amplifier | RF Amplifier | 2N1425 | RCA | GPD | IF Amplifier | IF Amplifier | 2N1426 | RCA | GPD | Converter | Converter | 2N1431 | SYL | GNA | AF Amplifier | AF Amplifier | 2N1432 | SYL | GPD | RF Amplifier | RF Amplifier | 2N1479 | RCA | SNJ | Power Switch | Power Switch | 2N1480 | RCA | SNJ | Power Switch | Power Switch | 2N1481 | RCA | SNJ | Power Switch | Power Switch | 2N1482 | RCA | SNJ | Power Switch | Power Switch | 2N1483 | RCA | SNJ | Power Switch | Power Switch | 2N1484 | RCA | SNJ | Power Switch | Power Switch | 2N1485 | RCA | SNJ | Power Switch | Power Switch | 2N1486 | RCA | SNJ | Power Switch | Power Switch | 2N1487 | RCA | SNJ | Power Switch | Power Switch | 2N1488 | RCA | SNJ | Power Switch | Power Switch | 2N1489 | RCA | SNJ | Power Switch | Power Switch | 2N1490 | RCA | SNJ | Power Switch | Power Switch | 3N22 | WHI | GNG | RF Amplifier | RF Amplifier | 3N23 | BOG | GNG | RF Amplifier | RF Amplifier | 3N23A | BOG | GNG | RF Amplifier | RF Amplifier | 3N23B | BOG | GNG | RF Amplifier | RF Amplifier | 3N23C | BOG | GNG | RF Amplifier | RF Amplifier | 3N25 | TI | GPJ | VHF Amp | VHF Amp | 3N26 | TI | SNG | RF Amplifier | RF Amplifier | 3N27 | TI | SNG | RF Amplifier | RF Amplifier | 3N29 | GE | GNA | RF Amplifier | RF Amplifier | 3N30 | GE | GNA | RF Amplifier | RF Amplifier | 3N31 | GE | GNA | RF Amplifier | RF Amplifier | 3N32 | TI | SNG | RF Amplifier | RF Amplifier | 3N33 | TI | SNG | RF Amplifier | RF Amplifier | 3N34 | TI | SNG | RF Amplifier | RF Amplifier | 3N35 | TI | SNG | RF Amplifier | RF Amplifier | 3N36 | GE | GNG | RF Amplifier | RF Amplifier | 3N37 | GE | GNG | RF Amplifier | RF Amplifier | 4JD1B2 | GE | GPA | Switching | Switching | 4JD1B3 | GE | GPA | Switching | Switching | 4JD1B4 | GE | GPA | Switching | Switching | 4JD4A2 | GE | GNG | IF Amplifier | IF Amplifier | 4JD4A3 | GE | GNG | Switching | Switching | 4JD4A4 | GE | GNG | IF Amplifier | IF Amplifier | 4JD4A5 | GE | GNG | RF Amplifier | RF Amplifier | 5A | SPR | GC | Switching | Switching | 5B | CTP | SD | Photo Use | Photo Use | 5C | CTP | SD | Photo Use | Photo Use | 8D | SPR | GPA | AF Amplifier | AF Amplifier | 8E | SPR | GPA | AF Amplifier | AF Amplifier | 8F | SPR | GPA | AF Amplifier | AF Amplifier | 10A | CTP | SD | Photo Use | Photo Use | 10A | SPR | GPA | AF Amplifier | AF Amplifier | 10B | CTP | SD | Photo Use | Photo Use | 10B | SPR | GPA | AF Amplifier | AF Amplifier | 10C | SPR | GPA | AF Amplifier | AF Amplifier | 11A | CTP | SO | Photo Use | Photo Use | 11B | CTP | SD | Photo Use | Photo Use | ZJ | 12 | GE | SNG | AF Amplifier | CK | 13 | RK | GPA | RF Amplifier | ZJ | 13 | GE | GNG | AF Amplifier | MN | 13A | MOT | GPA | AF Amplifier | MN | 13B | MOT | GPA | AF Amplifier | MN | 13C | MOT | GPA | AF Amplifier | ZJ | 13 | GE | GNG | AF Amplifier | CK | 14 | RK | GPA | RF Amplifier | GT | 14 | GTC | GPA | AF Amplifier | RR | 14 | RR | GPA | AF Amplifier | ZJ | 14 | GE | SD | Switching | ZJ | 14H | GTC | GPA | AF Amplifier | OC | 16 | AMP | GPA | AF Power Amp | ZJ | 16 | CK | RR | AF Power Amp | CK | 17 | RR | RR | AF Power Amp | MN | 19 | MOT | GPA | AF Amplifier | GT | 20 | GTC | GPA | AF Amplifier | RR | 20 | RR | GPA | AF Amplifier | GT | 20H | GTC | GPA | AF Amplifier | MN | 21 | MOT | GPA | AF Power Amp | RR | 21 | RR | GPA | AF Amplifier | GT | 24 | GTC | GPA | AF Amplifier | MN | 24 | MOT | GPA | AF Power Amp | MN | 25 | MOT | GPA | AF Power Amp | CK | 26 | RK | MOT | Switching | MN | 26 | MOT | GPA | AF Power Amp | MN | 28 | MOT | GPA | AF Power Amp | MN | 29 | MOT | GPA | AF Power Amp | GT | 34 | GTC | GPA | AF Amplifier | RR | 34 | RR | GPA | AF Amplifier | T | 34A | NU | GPA | AF Amplifier | T | 34B | NU | GPA | AF Amplifier | T | 34C | NU | GPA | AF Amplifier | T | 34D | NU | GPA | AF Amplifier | T | 34E | NU | GPA | AF Amplifier | T | 34F | NU | GPA | AF Amplifier | GT | 34HV | GTC | GPA | Switching | GT | 34S | GTC | GPA | Detector | GT | 38 | GTC | GPA | AF Amplifier | RR | 38 | RR | GPA | AF Amplifier | OC | 44 | AMP | GPA | RF Amplifier | OC | 45 | AMP | GPA | RF Amplifier | OC | 50 | AMP | GC | Oscillator | OC | 51 | AMP | GC | Switching | OC | 65 | AMP | GC | AF Amplifier | CT | 66 | GTC | GPA | Photo Use | OC | 66 | AMP | GPA | AF Amplifier | RR | 66 | RR | SD | AF Amplifier | OC | 70 | AMP | GPA | AF Amplifier | OC | 71 | AMP | GPA | RF Amplifier | OC | 72 | AMP | GMA | AF Amplifier | ZJ | 72 | GE | GNG | VHF Amplifier | OC | 73 | AMP | GPA | AF Amplifier | ZJ | 73 | GE | GNG | AF Amplifier | GT | 74 | GTC | GPA | AF Amplifier | GT | 75 | GTC | GPA | AF Amplifier | OC | 76 | AMP | GPA | Switching | GT | 81 | GTC | GPA | AF Amplifier | GT | 81H | GTC | GPA | AF Amplifier | GT | 81HS | GTC | GPA | AF Amplifier | GT | 82 | GTC | GPA | Switching | GT | 83 | GTC | GPA | Switching | GT | 87 | GTC | GPA | Switching | GT | 88 | GTC | GPA | Switching | DR | 100 | TS | GPA | AF Amplifier | DR | 101 | TS | GPA | AF Amplifier | DR | 102 | TS | GPA | AF Amplifier | GT | 109 | GTC | GPA | AF Amplifier | GT | 122 | GTC | GPA | Switching | GT | 123 | GTC | GPA | Switching | RR | 125 | RR | GPA | AF Amplifier | DR | 126 | TS | GPA | AF Amplifier | DR | 128 | TS | GPA | AF Amplifier | DR | 129 | TS | GPA | General Use | DR | 130 | TS | GPA | General Use | DR | 131 | TS | GPA | General Use | DR | 132 | TS | GPA | General Use | DR | 139 | TS | GPA | General Use | DR | 147 | TS | GPA | AF Power Amp | GT | 153 | GT | GPA | Switching | DR | 154 | TS | GPA | General Use | DR | 155 | TS | GPA | General Use | TS | 161 | TS | GMA | AF Amplifier | TS | 162 | TS | GMA | General Use | TS | 163 | TS | GPA | AF Amplifier | TS | 164 | TS | GPA | AF Amplifier | TS | 165 | TS | GPA | AF Amplifier | TS | 166 | TS | GPA | AF Amplifier | GT | 167 | GTC | GPA | Switching | TS | 176 | TS | GPA | AF Power Amp | 200 | TI | GNG | GPA | General Use | 201 | TI | GNG | GPA | General Use | 202 | TI | GNG | GPA | General Use | 206 | TI | GNG | GPA | AF Amplifier | 207 | TI | GNG | GPA | AF Amplifier | 208 | TI | GNG | GPA | AF Amplifier | GT | 210 | GTC | GPA | Switching | 210 | TI | GNG | GPA | AF Amplifier | 220 | TI | GNG | GPA | AF Amplifier | 221 | TI | GNG | GPA | IF Amplifier | GT | 222 | GTC | GPA | General Use | 222 | TI | GNG | GPA | IF Amplifier | 223 | TI | GNG | GPA | Converter | 224 | TI | GNG | GPA | Detector | 225 | TI | GNG | GPA | IF Amplifier | 227 | TI | GNG | GPA | IF Amplifier | 228 | TI | GNG | GPA | Detector | GT | 229 | GTC | GNA | AF Amplifier | 234 | TI | CNA | IF Amplifier | IF Amplifier | 235 | TI | GNA | GPA | Converter | GT | 269 | GTC | GPA | RF Amplifier | 301 | TI | GPA | AF Amplifier | AF Amplifier | 302 | TI | GPA | AF Amplifier | AF Amplifier | 310 | TI | GPA | AF Amplifier | AF Amplifier | 310 | TI | GPA | AF Amplifier | AF Amplifier | | | | | | | | | | | | | | | | | | | | | | | | | | | | | | | | | | | | | | | | | | | | | | | | | | | | | | | | | | | | | | | | | | | | | | |
| 2N1300 | RCA | GPJ | Switching | Switching | 2N1301 | RCA | GPJ | Switching | Switching | 2N1310 | CTC | GNA | General Use | General Use | 2N1320 | CBS | GPA | AF Amplifier | AF Amplifier | 2N1321 | CBS | GNA | AF Amplifier | AF Amplifier | 2N1322 | CBS | GPA | AF Amplifier | AF Amplifier | 2N1323 | CBS | GNA | AF Amplifier | AF Amplifier | 2N1324 | CBS | GPA | AF Amplifier | AF Amplifier | 2N1325 | CBS | GNA | AF Amplifier | AF Amplifier | 2N1326 | CBS | GPA | AF Amplifier | AF Amplifier | 2N1327 | CBS | GNA | AF Amplifier | AF Amplifier | 2N1328 | CBS | GPA | AF Amplifier | AF Amplifier | 2N1329 | CBS | GNA | AF Amplifier | AF Amplifier | 2N1330 | CBS | GPA | AF Amplifier | AF Amplifier | 2N1331 | CBS | GNA | AF Amplifier | AF Amplifier | 2N1332 | CBS | GPA | AF Amplifier | AF Amplifier | 2N1333 | CBS | GNA | AF Amplifier | AF Amplifier | 2N1334 | CBS | GPA | AF Amplifier | AF Amplifier | 2N1358 | DEL | GPA | General Use | General Use | 2N1395 | RCA | GPD | RF Amplifier | RF Amplifier | 2N1396 | RCA | GPD | RF Amplifier | RF Amplifier | 2N1397 | RCA | GPD | RF Amplifier | RF Amplifier | 2N1425 | RCA | GPD | IF Amplifier | IF Amplifier | 2N1426 | RCA | GPD | Converter | Converter | 2N1431 | SYL | GNA | AF Amplifier | AF Amplifier | 2N1432 | SYL | GPD | RF Amplifier | RF Amplifier | 2N1479 | RCA | SNJ | Power Switch | Power Switch | 2N1480 | RCA | SNJ | Power Switch | Power Switch | 2N1481 | RCA | SNJ | Power Switch | Power Switch | 2N1482 | RCA | SNJ | Power Switch | Power Switch | 2N1483 | RCA | SNJ | Power Switch | Power Switch | 2N1484 | RCA | SNJ | Power Switch | Power Switch | 2N1485 | RCA | SNJ | Power Switch | Power Switch | 2N1486 | RCA | SNJ | Power Switch | Power Switch | 2N1487 | RCA | SNJ | Power Switch | Power Switch | 2N1488 | RCA | SNJ | Power Switch | Power Switch | 2N1489 | RCA | SNJ | Power Switch | Power Switch | 2N1490 | RCA | SNJ | Power Switch | Power Switch | 3N22 | WHI | GNG | RF Amplifier | RF Amplifier | 3N23 | BOG | GNG | RF Amplifier | RF Amplifier | 3N23A | BOG | GNG | RF Amplifier | RF Amplifier | 3N23B | BOG | GNG | RF Amplifier | RF Amplifier | 3N23C | BOG | GNG | RF Amplifier | RF Amplifier | 3N25 | TI | GPJ | VHF Amp | VHF Amp | 3N26 | TI | SNG | RF Amplifier | RF Amplifier | 3N27 | TI | SNG | RF Amplifier | RF Amplifier | 3N29 | GE | GNA | RF Amplifier | RF Amplifier | 3N30 | GE | GNA | RF Amplifier | RF Amplifier | 3N31 | GE | GNA | RF Amplifier | RF Amplifier | 3N32 | TI | SNG | RF Amplifier | RF Amplifier | 3N33 | TI | SNG | RF Amplifier | RF Amplifier | 3N34 | TI | SNG | RF Amplifier | RF Amplifier | 3N35 | TI | SNG | RF Amplifier | RF Amplifier | 3N36 | GE | GNG | RF Amplifier | RF Amplifier | 3N37 | GE | GNG | RF Amplifier | RF Amplifier | 4JD1B2 | GE | GPA | Switching | Switching | 4JD1B3 | GE | GPA | Switching | Switching | 4JD1B4 | GE | GPA | Switching | Switching | 4JD4A2 | GE | GNG | IF Amplifier | IF Amplifier | 4JD4A3 | GE | GNG | Switching | Switching | 4JD4A4 | GE | GNG | IF Amplifier | IF Amplifier | 4JD4A5 | GE | GNG | RF Amplifier | RF Amplifier | 5A | SPR | GC | Switching | Switching | 5B | CTP | SD | Photo Use | Photo Use | 5C | CTP | SD | Photo Use | Photo Use | 8D | SPR | GPA | AF Amplifier | AF Amplifier | 8E | SPR | GPA | AF Amplifier | AF Amplifier | 8F | SPR | GPA | AF Amplifier | AF Amplifier | 10A | CTP | SD | Photo Use | Photo Use | 10A | SPR | GPA | AF Amplifier | AF Amplifier | 10B | CTP | SD | Photo Use | Photo Use | 10B | SPR | GPA | AF Amplifier | AF Amplifier | 10C | SPR | GPA | AF Amplifier | AF Amplifier | 11A | CTP | SO | Photo Use | Photo Use | 11B | CTP | SD | Photo Use | Photo Use | ZJ | 12 | GE | SNG | AF Amplifier | CK | 13 | RK | GPA | RF Amplifier | ZJ | 13 | GE | GNG | AF Amplifier | MN | 13A | MOT | GPA | AF Amplifier | MN | 13B | MOT | GPA | AF Amplifier | MN | 13C | MOT | GPA | AF Amplifier | ZJ | 13 | GE | GNG | AF Amplifier | CK | 14 | RK | GPA | RF Amplifier | GT | 14 | GTC | GPA | AF Amplifier | RR | 14 | RR | GPA | AF Amplifier | ZJ | 14 | GE | SD | Switching | ZJ | 14H | GTC | GPA | AF Amplifier | OC | 16 | AMP | GPA | AF Power Amp | ZJ | 16 | CK | RR | AF Power Amp | CK | 17 | RR | RR | AF Power Amp | MN | 19 | MOT | GPA | AF Amplifier | GT | 20 | GTC | GPA | AF Amplifier | RR | 20 | RR | GPA | AF Amplifier | GT | 20H | GTC | GPA | AF Amplifier | MN | 21 | MOT | GPA | AF Power Amp | RR | 21 | RR | GPA | AF Amplifier | GT | 24 | GTC | GPA | AF Amplifier | MN | 24 | MOT | GPA | AF Power Amp | MN | 25 | MOT | GPA | AF Power Amp | CK | 26 | RK | MOT | Switching | MN | 26 | MOT | GPA | AF Power Amp | MN | 28 | MOT | GPA | AF Power Amp | MN | 29 | MOT | GPA | AF Power Amp | GT | 34 | GTC | GPA | AF Amplifier | RR | 34 | RR | GPA | AF Amplifier | T | 34A | NU | GPA | AF Amplifier | T | 34B | NU | GPA | AF Amplifier | T | 34C | NU | GPA | AF Amplifier | T | 34D | NU | GPA | AF Amplifier | T | 34E | NU | GPA | AF Amplifier | T | 34F | NU | GPA | AF Amplifier | GT | 34HV | GTC | GPA | Switching | GT | 34S | GTC | GPA | Detector | GT | 38 | GTC | GPA | AF Amplifier | RR | 38 | RR | GPA | AF Amplifier | OC | 44 | AMP | GPA | RF Amplifier | OC | 45 | AMP | GPA | RF Amplifier | OC | 50 | AMP | GC | Oscillator | OC | 51 | AMP | GC | Switching | OC | 65 | AMP | GC | AF Amplifier | CT | 66 | GTC | GPA | Photo Use | OC | 66 | AMP | GPA | AF Amplifier | RR | 66 | RR | SD | AF Amplifier | OC | 70 | AMP | GPA | AF Amplifier | OC | 71 | AMP | GPA | RF Amplifier | OC | 72 | AMP | GMA | AF Amplifier | ZJ | 72 | GE | GNG | VHF Amplifier | OC | 73 | AMP | GPA | AF Amplifier | ZJ | 73 | GE | GNG | AF Amplifier | GT | 74 | GTC | GPA | AF Amplifier | GT | 75 | GTC | GPA | AF Amplifier | OC | 76 | AMP | GPA | Switching | GT | 81 | GTC | GPA | AF Amplifier | GT | 81H | GTC | GPA | AF Amplifier | GT | 81HS | GTC | GPA | AF Amplifier | GT | 82 | GTC | GPA | Switching | GT | 83 | GTC | GPA | Switching | GT | 87 | GTC | GPA | Switching | GT | 88 | GTC | GPA | Switching | DR | 100 | TS | GPA | AF Amplifier | DR | 101 | TS | GPA | AF Amplifier | DR | 102 | TS | GPA | AF Amplifier | GT | 109 | GTC | GPA | AF Amplifier | GT | 122 | GTC | GPA | Switching | GT | 123 | GTC | GPA | Switching | RR | 125 | RR | GPA | AF Amplifier | DR | 126 | TS | GPA | AF Amplifier | DR | 128 | TS | GPA | AF Amplifier | DR | 129 | TS | GPA | General Use | DR | 130 | TS | GPA | General Use | DR | 131 | TS | GPA | General Use | DR | 132 | TS | GPA | General Use | DR | 139 | TS | GPA | General Use | DR | 147 | TS | GPA | AF Power Amp | GT | 153 | GT | GPA | Switching | DR | 154 | TS | GPA | General Use | DR | 155 | TS | GPA | General Use | TS | 161 | TS | GMA | AF Amplifier | TS | 162 | TS | GMA | General Use | TS | 163 | TS | GPA | AF Amplifier | TS | 164 | TS | GPA | AF Amplifier | TS | 165 | TS | GPA | AF Amplifier | TS | 166 | TS | GPA | AF Amplifier | GT | 167 | GTC | GPA | Switching | TS | 176 | TS | GPA | AF Power Amp | 200 | TI | GNG | GPA | General Use | 201 | TI | GNG | GPA | General Use | 202 | TI | GNG | GPA | General Use | 206 | TI | GNG | GPA | AF Amplifier | 207 | TI | GNG | GPA | AF Amplifier | 208 | TI | GNG | GPA | AF Amplifier | GT | 210 | GTC | GPA | Switching | 210 | TI | GNG | GPA | AF Amplifier | 220 | TI | GNG | GPA | AF Amplifier | 221 | TI | GNG | GPA | IF Amplifier | GT | 222 | GTC | GPA | General Use | 222 | TI | GNG | GPA | IF Amplifier | 223 | TI | GNG | GPA | Converter | 224 | TI | GNG | GPA | Detector | 225 | TI | GNG | GPA | IF Amplifier | 227 | TI | GNG | GPA | IF Amplifier | 228 | TI | GNG | GPA | Detector | GT | 229 | GTC | GNA | AF Amplifier | 234 | TI | CNA | IF Amplifier | IF Amplifier | 235 | TI | GNA | GPA | Converter | GT | 269 | GTC | GPA | RF Amplifier | 301 | TI | GPA | AF Amplifier | AF Amplifier | 302 | TI | GPA | AF Amplifier | AF Amplifier | 310 | TI | GPA | AF Amplifier | AF Amplifier | 310 | TI | GPA | AF Amplifier | AF Amplifier | | | | | | | | | | | | | | | | | | | | | | | | | | | | | | | | | | | | | | | | | | | | | | | | | | | | | | | | | | | | | | | | | | | | | | | | | | | |
| 2N1301 | RCA | GPJ | Switching | Switching | 2N1310 | CTC | GNA | General Use | General Use | 2N1320 | CBS | GPA | AF Amplifier | AF Amplifier | 2N1321 | CBS | GNA | AF Amplifier | AF Amplifier | 2N1322 | CBS | GPA | AF Amplifier | AF Amplifier | 2N1323 | CBS | GNA | AF Amplifier | AF Amplifier | 2N1324 | CBS | GPA | AF Amplifier | AF Amplifier | 2N1325 | CBS | GNA | AF Amplifier | AF Amplifier | 2N1326 | CBS | GPA | AF Amplifier | AF Amplifier | 2N1327 | CBS | GNA | AF Amplifier | AF Amplifier | 2N1328 | CBS | GPA | AF Amplifier | AF Amplifier | 2N1329 | CBS | GNA | AF Amplifier | AF Amplifier | 2N1330 | CBS | GPA | AF Amplifier | AF Amplifier | 2N1331 | CBS | GNA | AF Amplifier | AF Amplifier | 2N1332 | CBS | GPA | AF Amplifier | AF Amplifier | 2N1333 | CBS | GNA | AF Amplifier | AF Amplifier | 2N1334 | CBS | GPA | AF Amplifier | AF Amplifier | 2N1358 | DEL | GPA | General Use | General Use | 2N1395 | RCA | GPD | RF Amplifier | RF Amplifier | 2N1396 | RCA | GPD | RF Amplifier | RF Amplifier | 2N1397 | RCA | GPD | RF Amplifier | RF Amplifier | 2N1425 | RCA | GPD | IF Amplifier | IF Amplifier | 2N1426 | RCA | GPD | Converter | Converter | 2N1431 | SYL | GNA | AF Amplifier | AF Amplifier | 2N1432 | SYL | GPD | RF Amplifier | RF Amplifier | 2N1479 | RCA | SNJ | Power Switch | Power Switch | 2N1480 | RCA | SNJ | Power Switch | Power Switch | 2N1481 | RCA | SNJ | Power Switch | Power Switch | 2N1482 | RCA | SNJ | Power Switch | Power Switch | 2N1483 | RCA | SNJ | Power Switch | Power Switch | 2N1484 | RCA | SNJ | Power Switch | Power Switch | 2N1485 | RCA | SNJ | Power Switch | Power Switch | 2N1486 | RCA | SNJ | Power Switch | Power Switch | 2N1487 | RCA | SNJ | Power Switch | Power Switch | 2N1488 | RCA | SNJ | Power Switch | Power Switch | 2N1489 | RCA | SNJ | Power Switch | Power Switch | 2N1490 | RCA | SNJ | Power Switch | Power Switch | 3N22 | WHI | GNG | RF Amplifier | RF Amplifier | 3N23 | BOG | GNG | RF Amplifier | RF Amplifier | 3N23A | BOG | GNG | RF Amplifier | RF Amplifier | 3N23B | BOG | GNG | RF Amplifier | RF Amplifier | 3N23C | BOG | GNG | RF Amplifier | RF Amplifier | 3N25 | TI | GPJ | VHF Amp | VHF Amp | 3N26 | TI | SNG | RF Amplifier | RF Amplifier | 3N27 | TI | SNG | RF Amplifier | RF Amplifier | 3N29 | GE | GNA | RF Amplifier | RF Amplifier | 3N30 | GE | GNA | RF Amplifier | RF Amplifier | 3N31 | GE | GNA | RF Amplifier | RF Amplifier | 3N32 | TI | SNG | RF Amplifier | RF Amplifier | 3N33 | TI | SNG | RF Amplifier | RF Amplifier | 3N34 | TI | SNG | RF Amplifier | RF Amplifier | 3N35 | TI | SNG | RF Amplifier | RF Amplifier | 3N36 | GE | GNG | RF Amplifier | RF Amplifier | 3N37 | GE | GNG | RF Amplifier | RF Amplifier | 4JD1B2 | GE | GPA | Switching | Switching | 4JD1B3 | GE | GPA | Switching | Switching | 4JD1B4 | GE | GPA | Switching | Switching | 4JD4A2 | GE | GNG | IF Amplifier | IF Amplifier | 4JD4A3 | GE | GNG | Switching | Switching | 4JD4A4 | GE | GNG | IF Amplifier | IF Amplifier | 4JD4A5 | GE | GNG | RF Amplifier | RF Amplifier | 5A | SPR | GC | Switching | Switching | 5B | CTP | SD | Photo Use | Photo Use | 5C | CTP | SD | Photo Use | Photo Use | 8D | SPR | GPA | AF Amplifier | AF Amplifier | 8E | SPR | GPA | AF Amplifier | AF Amplifier | 8F | SPR | GPA | AF Amplifier | AF Amplifier | 10A | CTP | SD | Photo Use | Photo Use | 10A | SPR | GPA | AF Amplifier | AF Amplifier | 10B | CTP | SD | Photo Use | Photo Use | 10B | SPR | GPA | AF Amplifier | AF Amplifier | 10C | SPR | GPA | AF Amplifier | AF Amplifier | 11A | CTP | SO | Photo Use | Photo Use | 11B | CTP | SD | Photo Use | Photo Use | ZJ | 12 | GE | SNG | AF Amplifier | CK | 13 | RK | GPA | RF Amplifier | ZJ | 13 | GE | GNG | AF Amplifier | MN | 13A | MOT | GPA | AF Amplifier | MN | 13B | MOT | GPA | AF Amplifier | MN | 13C | MOT | GPA | AF Amplifier | ZJ | 13 | GE | GNG | AF Amplifier | CK | 14 | RK | GPA | RF Amplifier | GT | 14 | GTC | GPA | AF Amplifier | RR | 14 | RR | GPA | AF Amplifier | ZJ | 14 | GE | SD | Switching | ZJ | 14H | GTC | GPA | AF Amplifier | OC | 16 | AMP | GPA | AF Power Amp | ZJ | 16 | CK | RR | AF Power Amp | CK | 17 | RR | RR | AF Power Amp | MN | 19 | MOT | GPA | AF Amplifier | GT | 20 | GTC | GPA | AF Amplifier | RR | 20 | RR | GPA | AF Amplifier | GT | 20H | GTC | GPA | AF Amplifier | MN | 21 | MOT | GPA | AF Power Amp | RR | 21 | RR | GPA | AF Amplifier | GT | 24 | GTC | GPA | AF Amplifier | MN | 24 | MOT | GPA | AF Power Amp | MN | 25 | MOT | GPA | AF Power Amp | CK | 26 | RK | MOT | Switching | MN | 26 | MOT | GPA | AF Power Amp | MN | 28 | MOT | GPA | AF Power Amp | MN | 29 | MOT | GPA | AF Power Amp | GT | 34 | GTC | GPA | AF Amplifier | RR | 34 | RR | GPA | AF Amplifier | T | 34A | NU | GPA | AF Amplifier | T | 34B | NU | GPA | AF Amplifier | T | 34C | NU | GPA | AF Amplifier | T | 34D | NU | GPA | AF Amplifier | T | 34E | NU | GPA | AF Amplifier | T | 34F | NU | GPA | AF Amplifier | GT | 34HV | GTC | GPA | Switching | GT | 34S | GTC | GPA | Detector | GT | 38 | GTC | GPA | AF Amplifier | RR | 38 | RR | GPA | AF Amplifier | OC | 44 | AMP | GPA | RF Amplifier | OC | 45 | AMP | GPA | RF Amplifier | OC | 50 | AMP | GC | Oscillator | OC | 51 | AMP | GC | Switching | OC | 65 | AMP | GC | AF Amplifier | CT | 66 | GTC | GPA | Photo Use | OC | 66 | AMP | GPA | AF Amplifier | RR | 66 | RR | SD | AF Amplifier | OC | 70 | AMP | GPA | AF Amplifier | OC | 71 | AMP | GPA | RF Amplifier | OC | 72 | AMP | GMA | AF Amplifier | ZJ | 72 | GE | GNG | VHF Amplifier | OC | 73 | AMP | GPA | AF Amplifier | ZJ | 73 | GE | GNG | AF Amplifier | GT | 74 | GTC | GPA | AF Amplifier | GT | 75 | GTC | GPA | AF Amplifier | OC | 76 | AMP | GPA | Switching | GT | 81 | GTC | GPA | AF Amplifier | GT | 81H | GTC | GPA | AF Amplifier | GT | 81HS | GTC | GPA | AF Amplifier | GT | 82 | GTC | GPA | Switching | GT | 83 | GTC | GPA | Switching | GT | 87 | GTC | GPA | Switching | GT | 88 | GTC | GPA | Switching | DR | 100 | TS | GPA | AF Amplifier | DR | 101 | TS | GPA | AF Amplifier | DR | 102 | TS | GPA | AF Amplifier | GT | 109 | GTC | GPA | AF Amplifier | GT | 122 | GTC | GPA | Switching | GT | 123 | GTC | GPA | Switching | RR | 125 | RR | GPA | AF Amplifier | DR | 126 | TS | GPA | AF Amplifier | DR | 128 | TS | GPA | AF Amplifier | DR | 129 | TS | GPA | General Use | DR | 130 | TS | GPA | General Use | DR | 131 | TS | GPA | General Use | DR | 132 | TS | GPA | General Use | DR | 139 | TS | GPA | General Use | DR | 147 | TS | GPA | AF Power Amp | GT | 153 | GT | GPA | Switching | DR | 154 | TS | GPA | General Use | DR | 155 | TS | GPA | General Use | TS | 161 | TS | GMA | AF Amplifier | TS | 162 | TS | GMA | General Use | TS | 163 | TS | GPA | AF Amplifier | TS | 164 | TS | GPA | AF Amplifier | TS | 165 | TS | GPA | AF Amplifier | TS | 166 | TS | GPA | AF Amplifier | GT | 167 | GTC | GPA | Switching | TS | 176 | TS | GPA | AF Power Amp | 200 | TI | GNG | GPA | General Use | 201 | TI | GNG | GPA | General Use | 202 | TI | GNG | GPA | General Use | 206 | TI | GNG | GPA | AF Amplifier | 207 | TI | GNG | GPA | AF Amplifier | 208 | TI | GNG | GPA | AF Amplifier | GT | 210 | GTC | GPA | Switching | 210 | TI | GNG | GPA | AF Amplifier | 220 | TI | GNG | GPA | AF Amplifier | 221 | TI | GNG | GPA | IF Amplifier | GT | 222 | GTC | GPA | General Use | 222 | TI | GNG | GPA | IF Amplifier | 223 | TI | GNG | GPA | Converter | 224 | TI | GNG | GPA | Detector | 225 | TI | GNG | GPA | IF Amplifier | 227 | TI | GNG | GPA | IF Amplifier | 228 | TI | GNG | GPA | Detector | GT | 229 | GTC | GNA | AF Amplifier | 234 | TI | CNA | IF Amplifier | IF Amplifier | 235 | TI | GNA | GPA | Converter | GT | 269 | GTC | GPA | RF Amplifier | 301 | TI | GPA | AF Amplifier | AF Amplifier | 302 | TI | GPA | AF Amplifier | AF Amplifier | 310 | TI | GPA | AF Amplifier | AF Amplifier | 310 | TI | GPA | AF Amplifier | AF Amplifier | | | | | | | | | | | | | | | | | | | | | | | | | | | | | | | | | | | | | | | | | | | | | | | | | | | | | | | | | | | | | | | | | | | | | | | | | | | | | | | | |
| 2N1310 | CTC | GNA | General Use | General Use | 2N1320 | CBS | GPA | AF Amplifier | AF Amplifier | 2N1321 | CBS | GNA | AF Amplifier | AF Amplifier | 2N1322 | CBS | GPA | AF Amplifier | AF Amplifier | 2N1323 | CBS | GNA | AF Amplifier | AF Amplifier | 2N1324 | CBS | GPA | AF Amplifier | AF Amplifier | 2N1325 | CBS | GNA | AF Amplifier | AF Amplifier | 2N1326 | CBS | GPA | AF Amplifier | AF Amplifier | 2N1327 | CBS | GNA | AF Amplifier | AF Amplifier | 2N1328 | CBS | GPA | AF Amplifier | AF Amplifier | 2N1329 | CBS | GNA | AF Amplifier | AF Amplifier | 2N1330 | CBS | GPA | AF Amplifier | AF Amplifier | 2N1331 | CBS | GNA | AF Amplifier | AF Amplifier | 2N1332 | CBS | GPA | AF Amplifier | AF Amplifier | 2N1333 | CBS | GNA | AF Amplifier | AF Amplifier | 2N1334 | CBS | GPA | AF Amplifier | AF Amplifier | 2N1358 | DEL | GPA | General Use | General Use | 2N1395 | RCA | GPD | RF Amplifier | RF Amplifier | 2N1396 | RCA | GPD | RF Amplifier | RF Amplifier | 2N1397 | RCA | GPD | RF Amplifier | RF Amplifier | 2N1425 | RCA | GPD | IF Amplifier | IF Amplifier | 2N1426 | RCA | GPD | Converter | Converter | 2N1431 | SYL | GNA | AF Amplifier | AF Amplifier | 2N1432 | SYL | GPD | RF Amplifier | RF Amplifier | 2N1479 | RCA | SNJ | Power Switch | Power Switch | 2N1480 | RCA | SNJ | Power Switch | Power Switch | 2N1481 | RCA | SNJ | Power Switch | Power Switch | 2N1482 | RCA | SNJ | Power Switch | Power Switch | 2N1483 | RCA | SNJ | Power Switch | Power Switch | 2N1484 | RCA | SNJ | Power Switch | Power Switch | 2N1485 | RCA | SNJ | Power Switch | Power Switch | 2N1486 | RCA | SNJ | Power Switch | Power Switch | 2N1487 | RCA | SNJ | Power Switch | Power Switch | 2N1488 | RCA | SNJ | Power Switch | Power Switch | 2N1489 | RCA | SNJ | Power Switch | Power Switch | 2N1490 | RCA | SNJ | Power Switch | Power Switch | 3N22 | WHI | GNG | RF Amplifier | RF Amplifier | 3N23 | BOG | GNG | RF Amplifier | RF Amplifier | 3N23A | BOG | GNG | RF Amplifier | RF Amplifier | 3N23B | BOG | GNG | RF Amplifier | RF Amplifier | 3N23C | BOG | GNG | RF Amplifier | RF Amplifier | 3N25 | TI | GPJ | VHF Amp | VHF Amp | 3N26 | TI | SNG | RF Amplifier | RF Amplifier | 3N27 | TI | SNG | RF Amplifier | RF Amplifier | 3N29 | GE | GNA | RF Amplifier | RF Amplifier | 3N30 | GE | GNA | RF Amplifier | RF Amplifier | 3N31 | GE | GNA | RF Amplifier | RF Amplifier | 3N32 | TI | SNG | RF Amplifier | RF Amplifier | 3N33 | TI | SNG | RF Amplifier | RF Amplifier | 3N34 | TI | SNG | RF Amplifier | RF Amplifier | 3N35 | TI | SNG | RF Amplifier | RF Amplifier | 3N36 | GE | GNG | RF Amplifier | RF Amplifier | 3N37 | GE | GNG | RF Amplifier | RF Amplifier | 4JD1B2 | GE | GPA | Switching | Switching | 4JD1B3 | GE | GPA | Switching | Switching | 4JD1B4 | GE | GPA | Switching | Switching | 4JD4A2 | GE | GNG | IF Amplifier | IF Amplifier | 4JD4A3 | GE | GNG | Switching | Switching | 4JD4A4 | GE | GNG | IF Amplifier | IF Amplifier | 4JD4A5 | GE | GNG | RF Amplifier | RF Amplifier | 5A | SPR | GC | Switching | Switching | 5B | CTP | SD | Photo Use | Photo Use | 5C | CTP | SD | Photo Use | Photo Use | 8D | SPR | GPA | AF Amplifier | AF Amplifier | 8E | SPR | GPA | AF Amplifier | AF Amplifier | 8F | SPR | GPA | AF Amplifier | AF Amplifier | 10A | CTP | SD | Photo Use | Photo Use | 10A | SPR | GPA | AF Amplifier | AF Amplifier | 10B | CTP | SD | Photo Use | Photo Use | 10B | SPR | GPA | AF Amplifier | AF Amplifier | 10C | SPR | GPA | AF Amplifier | AF Amplifier | 11A | CTP | SO | Photo Use | Photo Use | 11B | CTP | SD | Photo Use | Photo Use | ZJ | 12 | GE | SNG | AF Amplifier | CK | 13 | RK | GPA | RF Amplifier | ZJ | 13 | GE | GNG | AF Amplifier | MN | 13A | MOT | GPA | AF Amplifier | MN | 13B | MOT | GPA | AF Amplifier | MN | 13C | MOT | GPA | AF Amplifier | ZJ | 13 | GE | GNG | AF Amplifier | CK | 14 | RK | GPA | RF Amplifier | GT | 14 | GTC | GPA | AF Amplifier | RR | 14 | RR | GPA | AF Amplifier | ZJ | 14 | GE | SD | Switching | ZJ | 14H | GTC | GPA | AF Amplifier | OC | 16 | AMP | GPA | AF Power Amp | ZJ | 16 | CK | RR | AF Power Amp | CK | 17 | RR | RR | AF Power Amp | MN | 19 | MOT | GPA | AF Amplifier | GT | 20 | GTC | GPA | AF Amplifier | RR | 20 | RR | GPA | AF Amplifier | GT | 20H | GTC | GPA | AF Amplifier | MN | 21 | MOT | GPA | AF Power Amp | RR | 21 | RR | GPA | AF Amplifier | GT | 24 | GTC | GPA | AF Amplifier | MN | 24 | MOT | GPA | AF Power Amp | MN | 25 | MOT | GPA | AF Power Amp | CK | 26 | RK | MOT | Switching | MN | 26 | MOT | GPA | AF Power Amp | MN | 28 | MOT | GPA | AF Power Amp | MN | 29 | MOT | GPA | AF Power Amp | GT | 34 | GTC | GPA | AF Amplifier | RR | 34 | RR | GPA | AF Amplifier | T | 34A | NU | GPA | AF Amplifier | T | 34B | NU | GPA | AF Amplifier | T | 34C | NU | GPA | AF Amplifier | T | 34D | NU | GPA | AF Amplifier | T | 34E | NU | GPA | AF Amplifier | T | 34F | NU | GPA | AF Amplifier | GT | 34HV | GTC | GPA | Switching | GT | 34S | GTC | GPA | Detector | GT | 38 | GTC | GPA | AF Amplifier | RR | 38 | RR | GPA | AF Amplifier | OC | 44 | AMP | GPA | RF Amplifier | OC | 45 | AMP | GPA | RF Amplifier | OC | 50 | AMP | GC | Oscillator | OC | 51 | AMP | GC | Switching | OC | 65 | AMP | GC | AF Amplifier | CT | 66 | GTC | GPA | Photo Use | OC | 66 | AMP | GPA | AF Amplifier | RR | 66 | RR | SD | AF Amplifier | OC | 70 | AMP | GPA | AF Amplifier | OC | 71 | AMP | GPA | RF Amplifier | OC | 72 | AMP | GMA | AF Amplifier | ZJ | 72 | GE | GNG | VHF Amplifier | OC | 73 | AMP | GPA | AF Amplifier | ZJ | 73 | GE | GNG | AF Amplifier | GT | 74 | GTC | GPA | AF Amplifier | GT | 75 | GTC | GPA | AF Amplifier | OC | 76 | AMP | GPA | Switching | GT | 81 | GTC | GPA | AF Amplifier | GT | 81H | GTC | GPA | AF Amplifier | GT | 81HS | GTC | GPA | AF Amplifier | GT | 82 | GTC | GPA | Switching | GT | 83 | GTC | GPA | Switching | GT | 87 | GTC | GPA | Switching | GT | 88 | GTC | GPA | Switching | DR | 100 | TS | GPA | AF Amplifier | DR | 101 | TS | GPA | AF Amplifier | DR | 102 | TS | GPA | AF Amplifier | GT | 109 | GTC | GPA | AF Amplifier | GT | 122 | GTC | GPA | Switching | GT | 123 | GTC | GPA | Switching | RR | 125 | RR | GPA | AF Amplifier | DR | 126 | TS | GPA | AF Amplifier | DR | 128 | TS | GPA | AF Amplifier | DR | 129 | TS | GPA | General Use | DR | 130 | TS | GPA | General Use | DR | 131 | TS | GPA | General Use | DR | 132 | TS | GPA | General Use | DR | 139 | TS | GPA | General Use | DR | 147 | TS | GPA | AF Power Amp | GT | 153 | GT | GPA | Switching | DR | 154 | TS | GPA | General Use | DR | 155 | TS | GPA | General Use | TS | 161 | TS | GMA | AF Amplifier | TS | 162 | TS | GMA | General Use | TS | 163 | TS | GPA | AF Amplifier | TS | 164 | TS | GPA | AF Amplifier | TS | 165 | TS | GPA | AF Amplifier | TS | 166 | TS | GPA | AF Amplifier | GT | 167 | GTC | GPA | Switching | TS | 176 | TS | GPA | AF Power Amp | 200 | TI | GNG | GPA | General Use | 201 | TI | GNG | GPA | General Use | 202 | TI | GNG | GPA | General Use | 206 | TI | GNG | GPA | AF Amplifier | 207 | TI | GNG | GPA | AF Amplifier | 208 | TI | GNG | GPA | AF Amplifier | GT | 210 | GTC | GPA | Switching | 210 | TI | GNG | GPA | AF Amplifier | 220 | TI | GNG | GPA | AF Amplifier | 221 | TI | GNG | GPA | IF Amplifier | GT | 222 | GTC | GPA | General Use | 222 | TI | GNG | GPA | IF Amplifier | 223 | TI | GNG | GPA | Converter | 224 | TI | GNG | GPA | Detector | 225 | TI | GNG | GPA | IF Amplifier | 227 | TI | GNG | GPA | IF Amplifier | 228 | TI | GNG | GPA | Detector | GT | 229 | GTC | GNA | AF Amplifier | 234 | TI | CNA | IF Amplifier | IF Amplifier | 235 | TI | GNA | GPA | Converter | GT | 269 | GTC | GPA | RF Amplifier | 301 | TI | GPA | AF Amplifier | AF Amplifier | 302 | TI | GPA | AF Amplifier | AF Amplifier | 310 | TI | GPA | AF Amplifier | AF Amplifier | 310 | TI | GPA | AF Amplifier | AF Amplifier | | | | | | | | | | | | | | | | | | | | | | | | | | | | | | | | | | | | | | | | | | | | | | | | | | | | | | | | | | | | | | | | | | | | | | | | | | | | | | | | | | | | | |
| 2N1320 | CBS | GPA | AF Amplifier | AF Amplifier | 2N1321 | CBS | GNA | AF Amplifier | AF Amplifier | 2N1322 | CBS | GPA | AF Amplifier | AF Amplifier | 2N1323 | CBS | GNA | AF Amplifier | AF Amplifier | 2N1324 | CBS | GPA | AF Amplifier | AF Amplifier | 2N1325 | CBS | GNA | AF Amplifier | AF Amplifier | 2N1326 | CBS | GPA | AF Amplifier | AF Amplifier | 2N1327 | CBS | GNA | AF Amplifier | AF Amplifier | 2N1328 | CBS | GPA | AF Amplifier | AF Amplifier | 2N1329 | CBS | GNA | AF Amplifier | AF Amplifier | 2N1330 | CBS | GPA | AF Amplifier | AF Amplifier | 2N1331 | CBS | GNA | AF Amplifier | AF Amplifier | 2N1332 | CBS | GPA | AF Amplifier | AF Amplifier | 2N1333 | CBS | GNA | AF Amplifier | AF Amplifier | 2N1334 | CBS | GPA | AF Amplifier | AF Amplifier | 2N1358 | DEL | GPA | General Use | General Use | 2N1395 | RCA | GPD | RF Amplifier | RF Amplifier | 2N1396 | RCA | GPD | RF Amplifier | RF Amplifier | 2N1397 | RCA | GPD | RF Amplifier | RF Amplifier | 2N1425 | RCA | GPD | IF Amplifier | IF Amplifier | 2N1426 | RCA | GPD | Converter | Converter | 2N1431 | SYL | GNA | AF Amplifier | AF Amplifier | 2N1432 | SYL | GPD | RF Amplifier | RF Amplifier | 2N1479 | RCA | SNJ | Power Switch | Power Switch | 2N1480 | RCA | SNJ | Power Switch | Power Switch | 2N1481 | RCA | SNJ | Power Switch | Power Switch | 2N1482 | RCA | SNJ | Power Switch | Power Switch | 2N1483 | RCA | SNJ | Power Switch | Power Switch | 2N1484 | RCA | SNJ | Power Switch | Power Switch | 2N1485 | RCA | SNJ | Power Switch | Power Switch | 2N1486 | RCA | SNJ | Power Switch | Power Switch | 2N1487 | RCA | SNJ | Power Switch | Power Switch | 2N1488 | RCA | SNJ | Power Switch | Power Switch | 2N1489 | RCA | SNJ | Power Switch | Power Switch | 2N1490 | RCA | SNJ | Power Switch | Power Switch | 3N22 | WHI | GNG | RF Amplifier | RF Amplifier | 3N23 | BOG | GNG | RF Amplifier | RF Amplifier | 3N23A | BOG | GNG | RF Amplifier | RF Amplifier | 3N23B | BOG | GNG | RF Amplifier | RF Amplifier | 3N23C | BOG | GNG | RF Amplifier | RF Amplifier | 3N25 | TI | GPJ | VHF Amp | VHF Amp | 3N26 | TI | SNG | RF Amplifier | RF Amplifier | 3N27 | TI | SNG | RF Amplifier | RF Amplifier | 3N29 | GE | GNA | RF Amplifier | RF Amplifier | 3N30 | GE | GNA | RF Amplifier | RF Amplifier | 3N31 | GE | GNA | RF Amplifier | RF Amplifier | 3N32 | TI | SNG | RF Amplifier | RF Amplifier | 3N33 | TI | SNG | RF Amplifier | RF Amplifier | 3N34 | TI | SNG | RF Amplifier | RF Amplifier | 3N35 | TI | SNG | RF Amplifier | RF Amplifier | 3N36 | GE | GNG | RF Amplifier | RF Amplifier | 3N37 | GE | GNG | RF Amplifier | RF Amplifier | 4JD1B2 | GE | GPA | Switching | Switching | 4JD1B3 | GE | GPA | Switching | Switching | 4JD1B4 | GE | GPA | Switching | Switching | 4JD4A2 | GE | GNG | IF Amplifier | IF Amplifier | 4JD4A3 | GE | GNG | Switching | Switching | 4JD4A4 | GE | GNG | IF Amplifier | IF Amplifier | 4JD4A5 | GE | GNG | RF Amplifier | RF Amplifier | 5A | SPR | GC | Switching | Switching | 5B | CTP | SD | Photo Use | Photo Use | 5C | CTP | SD | Photo Use | Photo Use | 8D | SPR | GPA | AF Amplifier | AF Amplifier | 8E | SPR | GPA | AF Amplifier | AF Amplifier | 8F | SPR | GPA | AF Amplifier | AF Amplifier | 10A | CTP | SD | Photo Use | Photo Use | 10A | SPR | GPA | AF Amplifier | AF Amplifier | 10B | CTP | SD | Photo Use | Photo Use | 10B | SPR | GPA | AF Amplifier | AF Amplifier | 10C | SPR | GPA | AF Amplifier | AF Amplifier | 11A | CTP | SO | Photo Use | Photo Use | 11B | CTP | SD | Photo Use | Photo Use | ZJ | 12 | GE | SNG | AF Amplifier | CK | 13 | RK | GPA | RF Amplifier | ZJ | 13 | GE | GNG | AF Amplifier | MN | 13A | MOT | GPA | AF Amplifier | MN | 13B | MOT | GPA | AF Amplifier | MN | 13C | MOT | GPA | AF Amplifier | ZJ | 13 | GE | GNG | AF Amplifier | CK | 14 | RK | GPA | RF Amplifier | GT | 14 | GTC | GPA | AF Amplifier | RR | 14 | RR | GPA | AF Amplifier | ZJ | 14 | GE | SD | Switching | ZJ | 14H | GTC | GPA | AF Amplifier | OC | 16 | AMP | GPA | AF Power Amp | ZJ | 16 | CK | RR | AF Power Amp | CK | 17 | RR | RR | AF Power Amp | MN | 19 | MOT | GPA | AF Amplifier | GT | 20 | GTC | GPA | AF Amplifier | RR | 20 | RR | GPA | AF Amplifier | GT | 20H | GTC | GPA | AF Amplifier | MN | 21 | MOT | GPA | AF Power Amp | RR | 21 | RR | GPA | AF Amplifier | GT | 24 | GTC | GPA | AF Amplifier | MN | 24 | MOT | GPA | AF Power Amp | MN | 25 | MOT | GPA | AF Power Amp | CK | 26 | RK | MOT | Switching | MN | 26 | MOT | GPA | AF Power Amp | MN | 28 | MOT | GPA | AF Power Amp | MN | 29 | MOT | GPA | AF Power Amp | GT | 34 | GTC | GPA | AF Amplifier | RR | 34 | RR | GPA | AF Amplifier | T | 34A | NU | GPA | AF Amplifier | T | 34B | NU | GPA | AF Amplifier | T | 34C | NU | GPA | AF Amplifier | T | 34D | NU | GPA | AF Amplifier | T | 34E | NU | GPA | AF Amplifier | T | 34F | NU | GPA | AF Amplifier | GT | 34HV | GTC | GPA | Switching | GT | 34S | GTC | GPA | Detector | GT | 38 | GTC | GPA | AF Amplifier | RR | 38 | RR | GPA | AF Amplifier | OC | 44 | AMP | GPA | RF Amplifier | OC | 45 | AMP | GPA | RF Amplifier | OC | 50 | AMP | GC | Oscillator | OC | 51 | AMP | GC | Switching | OC | 65 | AMP | GC | AF Amplifier | CT | 66 | GTC | GPA | Photo Use | OC | 66 | AMP | GPA | AF Amplifier | RR | 66 | RR | SD | AF Amplifier | OC | 70 | AMP | GPA | AF Amplifier | OC | 71 | AMP | GPA | RF Amplifier | OC | 72 | AMP | GMA | AF Amplifier | ZJ | 72 | GE | GNG | VHF Amplifier | OC | 73 | AMP | GPA | AF Amplifier | ZJ | 73 | GE | GNG | AF Amplifier | GT | 74 | GTC | GPA | AF Amplifier | GT | 75 | GTC | GPA | AF Amplifier | OC | 76 | AMP | GPA | Switching | GT | 81 | GTC | GPA | AF Amplifier | GT | 81H | GTC | GPA | AF Amplifier | GT | 81HS | GTC | GPA | AF Amplifier | GT | 82 | GTC | GPA | Switching | GT | 83 | GTC | GPA | Switching | GT | 87 | GTC | GPA | Switching | GT | 88 | GTC | GPA | Switching | DR | 100 | TS | GPA | AF Amplifier | DR | 101 | TS | GPA | AF Amplifier | DR | 102 | TS | GPA | AF Amplifier | GT | 109 | GTC | GPA | AF Amplifier | GT | 122 | GTC | GPA | Switching | GT | 123 | GTC | GPA | Switching | RR | 125 | RR | GPA | AF Amplifier | DR | 126 | TS | GPA | AF Amplifier | DR | 128 | TS | GPA | AF Amplifier | DR | 129 | TS | GPA | General Use | DR | 130 | TS | GPA | General Use | DR | 131 | TS | GPA | General Use | DR | 132 | TS | GPA | General Use | DR | 139 | TS | GPA | General Use | DR | 147 | TS | GPA | AF Power Amp | GT | 153 | GT | GPA | Switching | DR | 154 | TS | GPA | General Use | DR | 155 | TS | GPA | General Use | TS | 161 | TS | GMA | AF Amplifier | TS | 162 | TS | GMA | General Use | TS | 163 | TS | GPA | AF Amplifier | TS | 164 | TS | GPA | AF Amplifier | TS | 165 | TS | GPA | AF Amplifier | TS | 166 | TS | GPA | AF Amplifier | GT | 167 | GTC | GPA | Switching | TS | 176 | TS | GPA | AF Power Amp | 200 | TI | GNG | GPA | General Use | 201 | TI | GNG | GPA | General Use | 202 | TI | GNG | GPA | General Use | 206 | TI | GNG | GPA | AF Amplifier | 207 | TI | GNG | GPA | AF Amplifier | 208 | TI | GNG | GPA | AF Amplifier | GT | 210 | GTC | GPA | Switching | 210 | TI | GNG | GPA | AF Amplifier | 220 | TI | GNG | GPA | AF Amplifier | 221 | TI | GNG | GPA | IF Amplifier | GT | 222 | GTC | GPA | General Use | 222 | TI | GNG | GPA | IF Amplifier | 223 | TI | GNG | GPA | Converter | 224 | TI | GNG | GPA | Detector | 225 | TI | GNG | GPA | IF Amplifier | 227 | TI | GNG | GPA | IF Amplifier | 228 | TI | GNG | GPA | Detector | GT | 229 | GTC | GNA | AF Amplifier | 234 | TI | CNA | IF Amplifier | IF Amplifier | 235 | TI | GNA | GPA | Converter | GT | 269 | GTC | GPA | RF Amplifier | 301 | TI | GPA | AF Amplifier | AF Amplifier | 302 | TI | GPA | AF Amplifier | AF Amplifier | 310 | TI | GPA | AF Amplifier | AF Amplifier | 310 | TI | GPA | AF Amplifier | AF Amplifier | | | | | | | | | | | | | | | | | | | | | | | | | | | | | | | | | | | | | | | | | | | | | | | | | | | | | | | | | | | | | | | | | | | | | | | | | | | | | | | | | | | | | | | | | | |
| 2N1321 | CBS | GNA | AF Amplifier | AF Amplifier | 2N1322 | CBS | GPA | AF Amplifier | AF Amplifier | 2N1323 | CBS | GNA | AF Amplifier | AF Amplifier | 2N1324 | CBS | GPA | AF Amplifier | AF Amplifier | 2N1325 | CBS | GNA | AF Amplifier | AF Amplifier | 2N1326 | CBS | GPA | AF Amplifier | AF Amplifier | 2N1327 | CBS | GNA | AF Amplifier | AF Amplifier | 2N1328 | CBS | GPA | AF Amplifier | AF Amplifier | 2N1329 | CBS | GNA | AF Amplifier | AF Amplifier | 2N1330 | CBS | GPA | AF Amplifier | AF Amplifier | 2N1331 | CBS | GNA | AF Amplifier | AF Amplifier | 2N1332 | CBS | GPA | AF Amplifier | AF Amplifier | 2N1333 | CBS | GNA | AF Amplifier | AF Amplifier | 2N1334 | CBS | GPA | AF Amplifier | AF Amplifier | 2N1358 | DEL | GPA | General Use | General Use | 2N1395 | RCA | GPD | RF Amplifier | RF Amplifier | 2N1396 | RCA | GPD | RF Amplifier | RF Amplifier | 2N1397 | RCA | GPD | RF Amplifier | RF Amplifier | 2N1425 | RCA | GPD | IF Amplifier | IF Amplifier | 2N1426 | RCA | GPD | Converter | Converter | 2N1431 | SYL | GNA | AF Amplifier | AF Amplifier | 2N1432 | SYL | GPD | RF Amplifier | RF Amplifier | 2N1479 | RCA | SNJ | Power Switch | Power Switch | 2N1480 | RCA | SNJ | Power Switch | Power Switch | 2N1481 | RCA | SNJ | Power Switch | Power Switch | 2N1482 | RCA | SNJ | Power Switch | Power Switch | 2N1483 | RCA | SNJ | Power Switch | Power Switch | 2N1484 | RCA | SNJ | Power Switch | Power Switch | 2N1485 | RCA | SNJ | Power Switch | Power Switch | 2N1486 | RCA | SNJ | Power Switch | Power Switch | 2N1487 | RCA | SNJ | Power Switch | Power Switch | 2N1488 | RCA | SNJ | Power Switch | Power Switch | 2N1489 | RCA | SNJ | Power Switch | Power Switch | 2N1490 | RCA | SNJ | Power Switch | Power Switch | 3N22 | WHI | GNG | RF Amplifier | RF Amplifier | 3N23 | BOG | GNG | RF Amplifier | RF Amplifier | 3N23A | BOG | GNG | RF Amplifier | RF Amplifier | 3N23B | BOG | GNG | RF Amplifier | RF Amplifier | 3N23C | BOG | GNG | RF Amplifier | RF Amplifier | 3N25 | TI | GPJ | VHF Amp | VHF Amp | 3N26 | TI | SNG | RF Amplifier | RF Amplifier | 3N27 | TI | SNG | RF Amplifier | RF Amplifier | 3N29 | GE | GNA | RF Amplifier | RF Amplifier | 3N30 | GE | GNA | RF Amplifier | RF Amplifier | 3N31 | GE | GNA | RF Amplifier | RF Amplifier | 3N32 | TI | SNG | RF Amplifier | RF Amplifier | 3N33 | TI | SNG | RF Amplifier | RF Amplifier | 3N34 | TI | SNG | RF Amplifier | RF Amplifier | 3N35 | TI | SNG | RF Amplifier | RF Amplifier | 3N36 | GE | GNG | RF Amplifier | RF Amplifier | 3N37 | GE | GNG | RF Amplifier | RF Amplifier | 4JD1B2 | GE | GPA | Switching | Switching | 4JD1B3 | GE | GPA | Switching | Switching | 4JD1B4 | GE | GPA | Switching | Switching | 4JD4A2 | GE | GNG | IF Amplifier | IF Amplifier | 4JD4A3 | GE | GNG | Switching | Switching | 4JD4A4 | GE | GNG | IF Amplifier | IF Amplifier | 4JD4A5 | GE | GNG | RF Amplifier | RF Amplifier | 5A | SPR | GC | Switching | Switching | 5B | CTP | SD | Photo Use | Photo Use | 5C | CTP | SD | Photo Use | Photo Use | 8D | SPR | GPA | AF Amplifier | AF Amplifier | 8E | SPR | GPA | AF Amplifier | AF Amplifier | 8F | SPR | GPA | AF Amplifier | AF Amplifier | 10A | CTP | SD | Photo Use | Photo Use | 10A | SPR | GPA | AF Amplifier | AF Amplifier | 10B | CTP | SD | Photo Use | Photo Use | 10B | SPR | GPA | AF Amplifier | AF Amplifier | 10C | SPR | GPA | AF Amplifier | AF Amplifier | 11A | CTP | SO | Photo Use | Photo Use | 11B | CTP | SD | Photo Use | Photo Use | ZJ | 12 | GE | SNG | AF Amplifier | CK | 13 | RK | GPA | RF Amplifier | ZJ | 13 | GE | GNG | AF Amplifier | MN | 13A | MOT | GPA | AF Amplifier | MN | 13B | MOT | GPA | AF Amplifier | MN | 13C | MOT | GPA | AF Amplifier | ZJ | 13 | GE | GNG | AF Amplifier | CK | 14 | RK | GPA | RF Amplifier | GT | 14 | GTC | GPA | AF Amplifier | RR | 14 | RR | GPA | AF Amplifier | ZJ | 14 | GE | SD | Switching | ZJ | 14H | GTC | GPA | AF Amplifier | OC | 16 | AMP | GPA | AF Power Amp | ZJ | 16 | CK | RR | AF Power Amp | CK | 17 | RR | RR | AF Power Amp | MN | 19 | MOT | GPA | AF Amplifier | GT | 20 | GTC | GPA | AF Amplifier | RR | 20 | RR | GPA | AF Amplifier | GT | 20H | GTC | GPA | AF Amplifier | MN | 21 | MOT | GPA | AF Power Amp | RR | 21 | RR | GPA | AF Amplifier | GT | 24 | GTC | GPA | AF Amplifier | MN | 24 | MOT | GPA | AF Power Amp | MN | 25 | MOT | GPA | AF Power Amp | CK | 26 | RK | MOT | Switching | MN | 26 | MOT | GPA | AF Power Amp | MN | 28 | MOT | GPA | AF Power Amp | MN | 29 | MOT | GPA | AF Power Amp | GT | 34 | GTC | GPA | AF Amplifier | RR | 34 | RR | GPA | AF Amplifier | T | 34A | NU | GPA | AF Amplifier | T | 34B | NU | GPA | AF Amplifier | T | 34C | NU | GPA | AF Amplifier | T | 34D | NU | GPA | AF Amplifier | T | 34E | NU | GPA | AF Amplifier | T | 34F | NU | GPA | AF Amplifier | GT | 34HV | GTC | GPA | Switching | GT | 34S | GTC | GPA | Detector | GT | 38 | GTC | GPA | AF Amplifier | RR | 38 | RR | GPA | AF Amplifier | OC | 44 | AMP | GPA | RF Amplifier | OC | 45 | AMP | GPA | RF Amplifier | OC | 50 | AMP | GC | Oscillator | OC | 51 | AMP | GC | Switching | OC | 65 | AMP | GC | AF Amplifier | CT | 66 | GTC | GPA | Photo Use | OC | 66 | AMP | GPA | AF Amplifier | RR | 66 | RR | SD | AF Amplifier | OC | 70 | AMP | GPA | AF Amplifier | OC | 71 | AMP | GPA | RF Amplifier | OC | 72 | AMP | GMA | AF Amplifier | ZJ | 72 | GE | GNG | VHF Amplifier | OC | 73 | AMP | GPA | AF Amplifier | ZJ | 73 | GE | GNG | AF Amplifier | GT | 74 | GTC | GPA | AF Amplifier | GT | 75 | GTC | GPA | AF Amplifier | OC | 76 | AMP | GPA | Switching | GT | 81 | GTC | GPA | AF Amplifier | GT | 81H | GTC | GPA | AF Amplifier | GT | 81HS | GTC | GPA | AF Amplifier | GT | 82 | GTC | GPA | Switching | GT | 83 | GTC | GPA | Switching | GT | 87 | GTC | GPA | Switching | GT | 88 | GTC | GPA | Switching | DR | 100 | TS | GPA | AF Amplifier | DR | 101 | TS | GPA | AF Amplifier | DR | 102 | TS | GPA | AF Amplifier | GT | 109 | GTC | GPA | AF Amplifier | GT | 122 | GTC | GPA | Switching | GT | 123 | GTC | GPA | Switching | RR | 125 | RR | GPA | AF Amplifier | DR | 126 | TS | GPA | AF Amplifier | DR | 128 | TS | GPA | AF Amplifier | DR | 129 | TS | GPA | General Use | DR | 130 | TS | GPA | General Use | DR | 131 | TS | GPA | General Use | DR | 132 | TS | GPA | General Use | DR | 139 | TS | GPA | General Use | DR | 147 | TS | GPA | AF Power Amp | GT | 153 | GT | GPA | Switching | DR | 154 | TS | GPA | General Use | DR | 155 | TS | GPA | General Use | TS | 161 | TS | GMA | AF Amplifier | TS | 162 | TS | GMA | General Use | TS | 163 | TS | GPA | AF Amplifier | TS | 164 | TS | GPA | AF Amplifier | TS | 165 | TS | GPA | AF Amplifier | TS | 166 | TS | GPA | AF Amplifier | GT | 167 | GTC | GPA | Switching | TS | 176 | TS | GPA | AF Power Amp | 200 | TI | GNG | GPA | General Use | 201 | TI | GNG | GPA | General Use | 202 | TI | GNG | GPA | General Use | 206 | TI | GNG | GPA | AF Amplifier | 207 | TI | GNG | GPA | AF Amplifier | 208 | TI | GNG | GPA | AF Amplifier | GT | 210 | GTC | GPA | Switching | 210 | TI | GNG | GPA | AF Amplifier | 220 | TI | GNG | GPA | AF Amplifier | 221 | TI | GNG | GPA | IF Amplifier | GT | 222 | GTC | GPA | General Use | 222 | TI | GNG | GPA | IF Amplifier | 223 | TI | GNG | GPA | Converter | 224 | TI | GNG | GPA | Detector | 225 | TI | GNG | GPA | IF Amplifier | 227 | TI | GNG | GPA | IF Amplifier | 228 | TI | GNG | GPA | Detector | GT | 229 | GTC | GNA | AF Amplifier | 234 | TI | CNA | IF Amplifier | IF Amplifier | 235 | TI | GNA | GPA | Converter | GT | 269 | GTC | GPA | RF Amplifier | 301 | TI | GPA | AF Amplifier | AF Amplifier | 302 | TI | GPA | AF Amplifier | AF Amplifier | 310 | TI | GPA | AF Amplifier | AF Amplifier | 310 | TI | GPA | AF Amplifier | AF Amplifier | | | | | | | | | | | | | | | | | | | | | | | | | | | | | | | | | | | | | | | | | | | | | | | | | | | | | | | | | | | | | | | | | | | | | | | | | | | | | | | | | | | | | | | | | | | | | | | |
| 2N1322 | CBS | GPA | AF Amplifier | AF Amplifier | 2N1323 | CBS | GNA | AF Amplifier | AF Amplifier | 2N1324 | CBS | GPA | AF Amplifier | AF Amplifier | 2N1325 | CBS | GNA | AF Amplifier | AF Amplifier | 2N1326 | CBS | GPA | AF Amplifier | AF Amplifier | 2N1327 | CBS | GNA | AF Amplifier | AF Amplifier | 2N1328 | CBS | GPA | AF Amplifier | AF Amplifier | 2N1329 | CBS | GNA | AF Amplifier | AF Amplifier | 2N1330 | CBS | GPA | AF Amplifier | AF Amplifier | 2N1331 | CBS | GNA | AF Amplifier | AF Amplifier | 2N1332 | CBS | GPA | AF Amplifier | AF Amplifier | 2N1333 | CBS | GNA | AF Amplifier | AF Amplifier | 2N1334 | CBS | GPA | AF Amplifier | AF Amplifier | 2N1358 | DEL | GPA | General Use | General Use | 2N1395 | RCA | GPD | RF Amplifier | RF Amplifier | 2N1396 | RCA | GPD | RF Amplifier | RF Amplifier | 2N1397 | RCA | GPD | RF Amplifier | RF Amplifier | 2N1425 | RCA | GPD | IF Amplifier | IF Amplifier | 2N1426 | RCA | GPD | Converter | Converter | 2N1431 | SYL | GNA | AF Amplifier | AF Amplifier | 2N1432 | SYL | GPD | RF Amplifier | RF Amplifier | 2N1479 | RCA | SNJ | Power Switch | Power Switch | 2N1480 | RCA | SNJ | Power Switch | Power Switch | 2N1481 | RCA | SNJ | Power Switch | Power Switch | 2N1482 | RCA | SNJ | Power Switch | Power Switch | 2N1483 | RCA | SNJ | Power Switch | Power Switch | 2N1484 | RCA | SNJ | Power Switch | Power Switch | 2N1485 | RCA | SNJ | Power Switch | Power Switch | 2N1486 | RCA | SNJ | Power Switch | Power Switch | 2N1487 | RCA | SNJ | Power Switch | Power Switch | 2N1488 | RCA | SNJ | Power Switch | Power Switch | 2N1489 | RCA | SNJ | Power Switch | Power Switch | 2N1490 | RCA | SNJ | Power Switch | Power Switch | 3N22 | WHI | GNG | RF Amplifier | RF Amplifier | 3N23 | BOG | GNG | RF Amplifier | RF Amplifier | 3N23A | BOG | GNG | RF Amplifier | RF Amplifier | 3N23B | BOG | GNG | RF Amplifier | RF Amplifier | 3N23C | BOG | GNG | RF Amplifier | RF Amplifier | 3N25 | TI | GPJ | VHF Amp | VHF Amp | 3N26 | TI | SNG | RF Amplifier | RF Amplifier | 3N27 | TI | SNG | RF Amplifier | RF Amplifier | 3N29 | GE | GNA | RF Amplifier | RF Amplifier | 3N30 | GE | GNA | RF Amplifier | RF Amplifier | 3N31 | GE | GNA | RF Amplifier | RF Amplifier | 3N32 | TI | SNG | RF Amplifier | RF Amplifier | 3N33 | TI | SNG | RF Amplifier | RF Amplifier | 3N34 | TI | SNG | RF Amplifier | RF Amplifier | 3N35 | TI | SNG | RF Amplifier | RF Amplifier | 3N36 | GE | GNG | RF Amplifier | RF Amplifier | 3N37 | GE | GNG | RF Amplifier | RF Amplifier | 4JD1B2 | GE | GPA | Switching | Switching | 4JD1B3 | GE | GPA | Switching | Switching | 4JD1B4 | GE | GPA | Switching | Switching | 4JD4A2 | GE | GNG | IF Amplifier | IF Amplifier | 4JD4A3 | GE | GNG | Switching | Switching | 4JD4A4 | GE | GNG | IF Amplifier | IF Amplifier | 4JD4A5 | GE | GNG | RF Amplifier | RF Amplifier | 5A | SPR | GC | Switching | Switching | 5B | CTP | SD | Photo Use | Photo Use | 5C | CTP | SD | Photo Use | Photo Use | 8D | SPR | GPA | AF Amplifier | AF Amplifier | 8E | SPR | GPA | AF Amplifier | AF Amplifier | 8F | SPR | GPA | AF Amplifier | AF Amplifier | 10A | CTP | SD | Photo Use | Photo Use | 10A | SPR | GPA | AF Amplifier | AF Amplifier | 10B | CTP | SD | Photo Use | Photo Use | 10B | SPR | GPA | AF Amplifier | AF Amplifier | 10C | SPR | GPA | AF Amplifier | AF Amplifier | 11A | CTP | SO | Photo Use | Photo Use | 11B | CTP | SD | Photo Use | Photo Use | ZJ | 12 | GE | SNG | AF Amplifier | CK | 13 | RK | GPA | RF Amplifier | ZJ | 13 | GE | GNG | AF Amplifier | MN | 13A | MOT | GPA | AF Amplifier | MN | 13B | MOT | GPA | AF Amplifier | MN | 13C | MOT | GPA | AF Amplifier | ZJ | 13 | GE | GNG | AF Amplifier | CK | 14 | RK | GPA | RF Amplifier | GT | 14 | GTC | GPA | AF Amplifier | RR | 14 | RR | GPA | AF Amplifier | ZJ | 14 | GE | SD | Switching | ZJ | 14H | GTC | GPA | AF Amplifier | OC | 16 | AMP | GPA | AF Power Amp | ZJ | 16 | CK | RR | AF Power Amp | CK | 17 | RR | RR | AF Power Amp | MN | 19 | MOT | GPA | AF Amplifier | GT | 20 | GTC | GPA | AF Amplifier | RR | 20 | RR | GPA | AF Amplifier | GT | 20H | GTC | GPA | AF Amplifier | MN | 21 | MOT | GPA | AF Power Amp | RR | 21 | RR | GPA | AF Amplifier | GT | 24 | GTC | GPA | AF Amplifier | MN | 24 | MOT | GPA | AF Power Amp | MN | 25 | MOT | GPA | AF Power Amp | CK | 26 | RK | MOT | Switching | MN | 26 | MOT | GPA | AF Power Amp | MN | 28 | MOT | GPA | AF Power Amp | MN | 29 | MOT | GPA | AF Power Amp | GT | 34 | GTC | GPA | AF Amplifier | RR | 34 | RR | GPA | AF Amplifier | T | 34A | NU | GPA | AF Amplifier | T | 34B | NU | GPA | AF Amplifier | T | 34C | NU | GPA | AF Amplifier | T | 34D | NU | GPA | AF Amplifier | T | 34E | NU | GPA | AF Amplifier | T | 34F | NU | GPA | AF Amplifier | GT | 34HV | GTC | GPA | Switching | GT | 34S | GTC | GPA | Detector | GT | 38 | GTC | GPA | AF Amplifier | RR | 38 | RR | GPA | AF Amplifier | OC | 44 | AMP | GPA | RF Amplifier | OC | 45 | AMP | GPA | RF Amplifier | OC | 50 | AMP | GC | Oscillator | OC | 51 | AMP | GC | Switching | OC | 65 | AMP | GC | AF Amplifier | CT | 66 | GTC | GPA | Photo Use | OC | 66 | AMP | GPA | AF Amplifier | RR | 66 | RR | SD | AF Amplifier | OC | 70 | AMP | GPA | AF Amplifier | OC | 71 | AMP | GPA | RF Amplifier | OC | 72 | AMP | GMA | AF Amplifier | ZJ | 72 | GE | GNG | VHF Amplifier | OC | 73 | AMP | GPA | AF Amplifier | ZJ | 73 | GE | GNG | AF Amplifier | GT | 74 | GTC | GPA | AF Amplifier | GT | 75 | GTC | GPA | AF Amplifier | OC | 76 | AMP | GPA | Switching | GT | 81 | GTC | GPA | AF Amplifier | GT | 81H | GTC | GPA | AF Amplifier | GT | 81HS | GTC | GPA | AF Amplifier | GT | 82 | GTC | GPA | Switching | GT | 83 | GTC | GPA | Switching | GT | 87 | GTC | GPA | Switching | GT | 88 | GTC | GPA | Switching | DR | 100 | TS | GPA | AF Amplifier | DR | 101 | TS | GPA | AF Amplifier | DR | 102 | TS | GPA | AF Amplifier | GT | 109 | GTC | GPA | AF Amplifier | GT | 122 | GTC | GPA | Switching | GT | 123 | GTC | GPA | Switching | RR | 125 | RR | GPA | AF Amplifier | DR | 126 | TS | GPA | AF Amplifier | DR | 128 | TS | GPA | AF Amplifier | DR | 129 | TS | GPA | General Use | DR | 130 | TS | GPA | General Use | DR | 131 | TS | GPA | General Use | DR | 132 | TS | GPA | General Use | DR | 139 | TS | GPA | General Use | DR | 147 | TS | GPA | AF Power Amp | GT | 153 | GT | GPA | Switching | DR | 154 | TS | GPA | General Use | DR | 155 | TS | GPA | General Use | TS | 161 | TS | GMA | AF Amplifier | TS | 162 | TS | GMA | General Use | TS | 163 | TS | GPA | AF Amplifier | TS | 164 | TS | GPA | AF Amplifier | TS | 165 | TS | GPA | AF Amplifier | TS | 166 | TS | GPA | AF Amplifier | GT | 167 | GTC | GPA | Switching | TS | 176 | TS | GPA | AF Power Amp | 200 | TI | GNG | GPA | General Use | 201 | TI | GNG | GPA | General Use | 202 | TI | GNG | GPA | General Use | 206 | TI | GNG | GPA | AF Amplifier | 207 | TI | GNG | GPA | AF Amplifier | 208 | TI | GNG | GPA | AF Amplifier | GT | 210 | GTC | GPA | Switching | 210 | TI | GNG | GPA | AF Amplifier | 220 | TI | GNG | GPA | AF Amplifier | 221 | TI | GNG | GPA | IF Amplifier | GT | 222 | GTC | GPA | General Use | 222 | TI | GNG | GPA | IF Amplifier | 223 | TI | GNG | GPA | Converter | 224 | TI | GNG | GPA | Detector | 225 | TI | GNG | GPA | IF Amplifier | 227 | TI | GNG | GPA | IF Amplifier | 228 | TI | GNG | GPA | Detector | GT | 229 | GTC | GNA | AF Amplifier | 234 | TI | CNA | IF Amplifier | IF Amplifier | 235 | TI | GNA | GPA | Converter | GT | 269 | GTC | GPA | RF Amplifier | 301 | TI | GPA | AF Amplifier | AF Amplifier | 302 | TI | GPA | AF Amplifier | AF Amplifier | 310 | TI | GPA | AF Amplifier | AF Amplifier | 310 | TI | GPA | AF Amplifier | AF Amplifier | | | | | | | | | | | | | | | | | | | | | | | | | | | | | | | | | | | | | | | | | | | | | | | | | | | | | | | | | | | | | | | | | | | | | | | | | | | | | | | | | | | | | | | | | | | | | | | | | | | | |
| 2N1323 | CBS | GNA | AF Amplifier | AF Amplifier | 2N1324 | CBS | GPA | AF Amplifier | AF Amplifier | 2N1325 | CBS | GNA | AF Amplifier | AF Amplifier | 2N1326 | CBS | GPA | AF Amplifier | AF Amplifier | 2N1327 | CBS | GNA | AF Amplifier | AF Amplifier | 2N1328 | CBS | GPA | AF Amplifier | AF Amplifier | 2N1329 | CBS | GNA | AF Amplifier | AF Amplifier | 2N1330 | CBS | GPA | AF Amplifier | AF Amplifier | 2N1331 | CBS | GNA | AF Amplifier | AF Amplifier | 2N1332 | CBS | GPA | AF Amplifier | AF Amplifier | 2N1333 | CBS | GNA | AF Amplifier | AF Amplifier | 2N1334 | CBS | GPA | AF Amplifier | AF Amplifier | 2N1358 | DEL | GPA | General Use | General Use | 2N1395 | RCA | GPD | RF Amplifier | RF Amplifier | 2N1396 | RCA | GPD | RF Amplifier | RF Amplifier | 2N1397 | RCA | GPD | RF Amplifier | RF Amplifier | 2N1425 | RCA | GPD | IF Amplifier | IF Amplifier | 2N1426 | RCA | GPD | Converter | Converter | 2N1431 | SYL | GNA | AF Amplifier | AF Amplifier | 2N1432 | SYL | GPD | RF Amplifier | RF Amplifier | 2N1479 | RCA | SNJ | Power Switch | Power Switch | 2N1480 | RCA | SNJ | Power Switch | Power Switch | 2N1481 | RCA | SNJ | Power Switch | Power Switch | 2N1482 | RCA | SNJ | Power Switch | Power Switch | 2N1483 | RCA | SNJ | Power Switch | Power Switch | 2N1484 | RCA | SNJ | Power Switch | Power Switch | 2N1485 | RCA | SNJ | Power Switch | Power Switch | 2N1486 | RCA | SNJ | Power Switch | Power Switch | 2N1487 | RCA | SNJ | Power Switch | Power Switch | 2N1488 | RCA | SNJ | Power Switch | Power Switch | 2N1489 | RCA | SNJ | Power Switch | Power Switch | 2N1490 | RCA | SNJ | Power Switch | Power Switch | 3N22 | WHI | GNG | RF Amplifier | RF Amplifier | 3N23 | BOG | GNG | RF Amplifier | RF Amplifier | 3N23A | BOG | GNG | RF Amplifier | RF Amplifier | 3N23B | BOG | GNG | RF Amplifier | RF Amplifier | 3N23C | BOG | GNG | RF Amplifier | RF Amplifier | 3N25 | TI | GPJ | VHF Amp | VHF Amp | 3N26 | TI | SNG | RF Amplifier | RF Amplifier | 3N27 | TI | SNG | RF Amplifier | RF Amplifier | 3N29 | GE | GNA | RF Amplifier | RF Amplifier | 3N30 | GE | GNA | RF Amplifier | RF Amplifier | 3N31 | GE | GNA | RF Amplifier | RF Amplifier | 3N32 | TI | SNG | RF Amplifier | RF Amplifier | 3N33 | TI | SNG | RF Amplifier | RF Amplifier | 3N34 | TI | SNG | RF Amplifier | RF Amplifier | 3N35 | TI | SNG | RF Amplifier | RF Amplifier | 3N36 | GE | GNG | RF Amplifier | RF Amplifier | 3N37 | GE | GNG | RF Amplifier | RF Amplifier | 4JD1B2 | GE | GPA | Switching | Switching | 4JD1B3 | GE | GPA | Switching | Switching | 4JD1B4 | GE | GPA | Switching | Switching | 4JD4A2 | GE | GNG | IF Amplifier | IF Amplifier | 4JD4A3 | GE | GNG | Switching | Switching | 4JD4A4 | GE | GNG | IF Amplifier | IF Amplifier | 4JD4A5 | GE | GNG | RF Amplifier | RF Amplifier | 5A | SPR | GC | Switching | Switching | 5B | CTP | SD | Photo Use | Photo Use | 5C | CTP | SD | Photo Use | Photo Use | 8D | SPR | GPA | AF Amplifier | AF Amplifier | 8E | SPR | GPA | AF Amplifier | AF Amplifier | 8F | SPR | GPA | AF Amplifier | AF Amplifier | 10A | CTP | SD | Photo Use | Photo Use | 10A | SPR | GPA | AF Amplifier | AF Amplifier | 10B | CTP | SD | Photo Use | Photo Use | 10B | SPR | GPA | AF Amplifier | AF Amplifier | 10C | SPR | GPA | AF Amplifier | AF Amplifier | 11A | CTP | SO | Photo Use | Photo Use | 11B | CTP | SD | Photo Use | Photo Use | ZJ | 12 | GE | SNG | AF Amplifier | CK | 13 | RK | GPA | RF Amplifier | ZJ | 13 | GE | GNG | AF Amplifier | MN | 13A | MOT | GPA | AF Amplifier | MN | 13B | MOT | GPA | AF Amplifier | MN | 13C | MOT | GPA | AF Amplifier | ZJ | 13 | GE | GNG | AF Amplifier | CK | 14 | RK | GPA | RF Amplifier | GT | 14 | GTC | GPA | AF Amplifier | RR | 14 | RR | GPA | AF Amplifier | ZJ | 14 | GE | SD | Switching | ZJ | 14H | GTC | GPA | AF Amplifier | OC | 16 | AMP | GPA | AF Power Amp | ZJ | 16 | CK | RR | AF Power Amp | CK | 17 | RR | RR | AF Power Amp | MN | 19 | MOT | GPA | AF Amplifier | GT | 20 | GTC | GPA | AF Amplifier | RR | 20 | RR | GPA | AF Amplifier | GT | 20H | GTC | GPA | AF Amplifier | MN | 21 | MOT | GPA | AF Power Amp | RR | 21 | RR | GPA | AF Amplifier | GT | 24 | GTC | GPA | AF Amplifier | MN | 24 | MOT | GPA | AF Power Amp | MN | 25 | MOT | GPA | AF Power Amp | CK | 26 | RK | MOT | Switching | MN | 26 | MOT | GPA | AF Power Amp | MN | 28 | MOT | GPA | AF Power Amp | MN | 29 | MOT | GPA | AF Power Amp | GT | 34 | GTC | GPA | AF Amplifier | RR | 34 | RR | GPA | AF Amplifier | T | 34A | NU | GPA | AF Amplifier | T | 34B | NU | GPA | AF Amplifier | T | 34C | NU | GPA | AF Amplifier | T | 34D | NU | GPA | AF Amplifier | T | 34E | NU | GPA | AF Amplifier | T | 34F | NU | GPA | AF Amplifier | GT | 34HV | GTC | GPA | Switching | GT | 34S | GTC | GPA | Detector | GT | 38 | GTC | GPA | AF Amplifier | RR | 38 | RR | GPA | AF Amplifier | OC | 44 | AMP | GPA | RF Amplifier | OC | 45 | AMP | GPA | RF Amplifier | OC | 50 | AMP | GC | Oscillator | OC | 51 | AMP | GC | Switching | OC | 65 | AMP | GC | AF Amplifier | CT | 66 | GTC | GPA | Photo Use | OC | 66 | AMP | GPA | AF Amplifier | RR | 66 | RR | SD | AF Amplifier | OC | 70 | AMP | GPA | AF Amplifier | OC | 71 | AMP | GPA | RF Amplifier | OC | 72 | AMP | GMA | AF Amplifier | ZJ | 72 | GE | GNG | VHF Amplifier | OC | 73 | AMP | GPA | AF Amplifier | ZJ | 73 | GE | GNG | AF Amplifier | GT | 74 | GTC | GPA | AF Amplifier | GT | 75 | GTC | GPA | AF Amplifier | OC | 76 | AMP | GPA | Switching | GT | 81 | GTC | GPA | AF Amplifier | GT | 81H | GTC | GPA | AF Amplifier | GT | 81HS | GTC | GPA | AF Amplifier | GT | 82 | GTC | GPA | Switching | GT | 83 | GTC | GPA | Switching | GT | 87 | GTC | GPA | Switching | GT | 88 | GTC | GPA | Switching | DR | 100 | TS | GPA | AF Amplifier | DR | 101 | TS | GPA | AF Amplifier | DR | 102 | TS | GPA | AF Amplifier | GT | 109 | GTC | GPA | AF Amplifier | GT | 122 | GTC | GPA | Switching | GT | 123 | GTC | GPA | Switching | RR | 125 | RR | GPA | AF Amplifier | DR | 126 | TS | GPA | AF Amplifier | DR | 128 | TS | GPA | AF Amplifier | DR | 129 | TS | GPA | General Use | DR | 130 | TS | GPA | General Use | DR | 131 | TS | GPA | General Use | DR | 132 | TS | GPA | General Use | DR | 139 | TS | GPA | General Use | DR | 147 | TS | GPA | AF Power Amp | GT | 153 | GT | GPA | Switching | DR | 154 | TS | GPA | General Use | DR | 155 | TS | GPA | General Use | TS | 161 | TS | GMA | AF Amplifier | TS | 162 | TS | GMA | General Use | TS | 163 | TS | GPA | AF Amplifier | TS | 164 | TS | GPA | AF Amplifier | TS | 165 | TS | GPA | AF Amplifier | TS | 166 | TS | GPA | AF Amplifier | GT | 167 | GTC | GPA | Switching | TS | 176 | TS | GPA | AF Power Amp | 200 | TI | GNG | GPA | General Use | 201 | TI | GNG | GPA | General Use | 202 | TI | GNG | GPA | General Use | 206 | TI | GNG | GPA | AF Amplifier | 207 | TI | GNG | GPA | AF Amplifier | 208 | TI | GNG | GPA | AF Amplifier | GT | 210 | GTC | GPA | Switching | 210 | TI | GNG | GPA | AF Amplifier | 220 | TI | GNG | GPA | AF Amplifier | 221 | TI | GNG | GPA | IF Amplifier | GT | 222 | GTC | GPA | General Use | 222 | TI | GNG | GPA | IF Amplifier | 223 | TI | GNG | GPA | Converter | 224 | TI | GNG | GPA | Detector | 225 | TI | GNG | GPA | IF Amplifier | 227 | TI | GNG | GPA | IF Amplifier | 228 | TI | GNG | GPA | Detector | GT | 229 | GTC | GNA | AF Amplifier | 234 | TI | CNA | IF Amplifier | IF Amplifier | 235 | TI | GNA | GPA | Converter | GT | 269 | GTC | GPA | RF Amplifier | 301 | TI | GPA | AF Amplifier | AF Amplifier | 302 | TI | GPA | AF Amplifier | AF Amplifier | 310 | TI | GPA | AF Amplifier | AF Amplifier | 310 | TI | GPA | AF Amplifier | AF Amplifier | | | | | | | | | | | | | | | | | | | | | | | | | | | | | | | | | | | | | | | | | | | | | | | | | | | | | | | | | | | | | | | | | | | | | | | | | | | | | | | | | | | | | | | | | | | | | | | | | | | | | | | | | |
| 2N1324 | CBS | GPA | AF Amplifier | AF Amplifier | 2N1325 | CBS | GNA | AF Amplifier | AF Amplifier | 2N1326 | CBS | GPA | AF Amplifier | AF Amplifier | 2N1327 | CBS | GNA | AF Amplifier | AF Amplifier | 2N1328 | CBS | GPA | AF Amplifier | AF Amplifier | 2N1329 | CBS | GNA | AF Amplifier | AF Amplifier | 2N1330 | CBS | GPA | AF Amplifier | AF Amplifier | 2N1331 | CBS | GNA | AF Amplifier | AF Amplifier | 2N1332 | CBS | GPA | AF Amplifier | AF Amplifier | 2N1333 | CBS | GNA | AF Amplifier | AF Amplifier | 2N1334 | CBS | GPA | AF Amplifier | AF Amplifier | 2N1358 | DEL | GPA | General Use | General Use | 2N1395 | RCA | GPD | RF Amplifier | RF Amplifier | 2N1396 | RCA | GPD | RF Amplifier | RF Amplifier | 2N1397 | RCA | GPD | RF Amplifier | RF Amplifier | 2N1425 | RCA | GPD | IF Amplifier | IF Amplifier | 2N1426 | RCA | GPD | Converter | Converter | 2N1431 | SYL | GNA | AF Amplifier | AF Amplifier | 2N1432 | SYL | GPD | RF Amplifier | RF Amplifier | 2N1479 | RCA | SNJ | Power Switch | Power Switch | 2N1480 | RCA | SNJ | Power Switch | Power Switch | 2N1481 | RCA | SNJ | Power Switch | Power Switch | 2N1482 | RCA | SNJ | Power Switch | Power Switch | 2N1483 | RCA | SNJ | Power Switch | Power Switch | 2N1484 | RCA | SNJ | Power Switch | Power Switch | 2N1485 | RCA | SNJ | Power Switch | Power Switch | 2N1486 | RCA | SNJ | Power Switch | Power Switch | 2N1487 | RCA | SNJ | Power Switch | Power Switch | 2N1488 | RCA | SNJ | Power Switch | Power Switch | 2N1489 | RCA | SNJ | Power Switch | Power Switch | 2N1490 | RCA | SNJ | Power Switch | Power Switch | 3N22 | WHI | GNG | RF Amplifier | RF Amplifier | 3N23 | BOG | GNG | RF Amplifier | RF Amplifier | 3N23A | BOG | GNG | RF Amplifier | RF Amplifier | 3N23B | BOG | GNG | RF Amplifier | RF Amplifier | 3N23C | BOG | GNG | RF Amplifier | RF Amplifier | 3N25 | TI | GPJ | VHF Amp | VHF Amp | 3N26 | TI | SNG | RF Amplifier | RF Amplifier | 3N27 | TI | SNG | RF Amplifier | RF Amplifier | 3N29 | GE | GNA | RF Amplifier | RF Amplifier | 3N30 | GE | GNA | RF Amplifier | RF Amplifier | 3N31 | GE | GNA | RF Amplifier | RF Amplifier | 3N32 | TI | SNG | RF Amplifier | RF Amplifier | 3N33 | TI | SNG | RF Amplifier | RF Amplifier | 3N34 | TI | SNG | RF Amplifier | RF Amplifier | 3N35 | TI | SNG | RF Amplifier | RF Amplifier | 3N36 | GE | GNG | RF Amplifier | RF Amplifier | 3N37 | GE | GNG | RF Amplifier | RF Amplifier | 4JD1B2 | GE | GPA | Switching | Switching | 4JD1B3 | GE | GPA | Switching | Switching | 4JD1B4 | GE | GPA | Switching | Switching | 4JD4A2 | GE | GNG | IF Amplifier | IF Amplifier | 4JD4A3 | GE | GNG | Switching | Switching | 4JD4A4 | GE | GNG | IF Amplifier | IF Amplifier | 4JD4A5 | GE | GNG | RF Amplifier | RF Amplifier | 5A | SPR | GC | Switching | Switching | 5B | CTP | SD | Photo Use | Photo Use | 5C | CTP | SD | Photo Use | Photo Use | 8D | SPR | GPA | AF Amplifier | AF Amplifier | 8E | SPR | GPA | AF Amplifier | AF Amplifier | 8F | SPR | GPA | AF Amplifier | AF Amplifier | 10A | CTP | SD | Photo Use | Photo Use | 10A | SPR | GPA | AF Amplifier | AF Amplifier | 10B | CTP | SD | Photo Use | Photo Use | 10B | SPR | GPA | AF Amplifier | AF Amplifier | 10C | SPR | GPA | AF Amplifier | AF Amplifier | 11A | CTP | SO | Photo Use | Photo Use | 11B | CTP | SD | Photo Use | Photo Use | ZJ | 12 | GE | SNG | AF Amplifier | CK | 13 | RK | GPA | RF Amplifier | ZJ | 13 | GE | GNG | AF Amplifier | MN | 13A | MOT | GPA | AF Amplifier | MN | 13B | MOT | GPA | AF Amplifier | MN | 13C | MOT | GPA | AF Amplifier | ZJ | 13 | GE | GNG | AF Amplifier | CK | 14 | RK | GPA | RF Amplifier | GT | 14 | GTC | GPA | AF Amplifier | RR | 14 | RR | GPA | AF Amplifier | ZJ | 14 | GE | SD | Switching | ZJ | 14H | GTC | GPA | AF Amplifier | OC | 16 | AMP | GPA | AF Power Amp | ZJ | 16 | CK | RR | AF Power Amp | CK | 17 | RR | RR | AF Power Amp | MN | 19 | MOT | GPA | AF Amplifier | GT | 20 | GTC | GPA | AF Amplifier | RR | 20 | RR | GPA | AF Amplifier | GT | 20H | GTC | GPA | AF Amplifier | MN | 21 | MOT | GPA | AF Power Amp | RR | 21 | RR | GPA | AF Amplifier | GT | 24 | GTC | GPA | AF Amplifier | MN | 24 | MOT | GPA | AF Power Amp | MN | 25 | MOT | GPA | AF Power Amp | CK | 26 | RK | MOT | Switching | MN | 26 | MOT | GPA | AF Power Amp | MN | 28 | MOT | GPA | AF Power Amp | MN | 29 | MOT | GPA | AF Power Amp | GT | 34 | GTC | GPA | AF Amplifier | RR | 34 | RR | GPA | AF Amplifier | T | 34A | NU | GPA | AF Amplifier | T | 34B | NU | GPA | AF Amplifier | T | 34C | NU | GPA | AF Amplifier | T | 34D | NU | GPA | AF Amplifier | T | 34E | NU | GPA | AF Amplifier | T | 34F | NU | GPA | AF Amplifier | GT | 34HV | GTC | GPA | Switching | GT | 34S | GTC | GPA | Detector | GT | 38 | GTC | GPA | AF Amplifier | RR | 38 | RR | GPA | AF Amplifier | OC | 44 | AMP | GPA | RF Amplifier | OC | 45 | AMP | GPA | RF Amplifier | OC | 50 | AMP | GC | Oscillator | OC | 51 | AMP | GC | Switching | OC | 65 | AMP | GC | AF Amplifier | CT | 66 | GTC | GPA | Photo Use | OC | 66 | AMP | GPA | AF Amplifier | RR | 66 | RR | SD | AF Amplifier | OC | 70 | AMP | GPA | AF Amplifier | OC | 71 | AMP | GPA | RF Amplifier | OC | 72 | AMP | GMA | AF Amplifier | ZJ | 72 | GE | GNG | VHF Amplifier | OC | 73 | AMP | GPA | AF Amplifier | ZJ | 73 | GE | GNG | AF Amplifier | GT | 74 | GTC | GPA | AF Amplifier | GT | 75 | GTC | GPA | AF Amplifier | OC | 76 | AMP | GPA | Switching | GT | 81 | GTC | GPA | AF Amplifier | GT | 81H | GTC | GPA | AF Amplifier | GT | 81HS | GTC | GPA | AF Amplifier | GT | 82 | GTC | GPA | Switching | GT | 83 | GTC | GPA | Switching | GT | 87 | GTC | GPA | Switching | GT | 88 | GTC | GPA | Switching | DR | 100 | TS | GPA | AF Amplifier | DR | 101 | TS | GPA | AF Amplifier | DR | 102 | TS | GPA | AF Amplifier | GT | 109 | GTC | GPA | AF Amplifier | GT | 122 | GTC | GPA | Switching | GT | 123 | GTC | GPA | Switching | RR | 125 | RR | GPA | AF Amplifier | DR | 126 | TS | GPA | AF Amplifier | DR | 128 | TS | GPA | AF Amplifier | DR | 129 | TS | GPA | General Use | DR | 130 | TS | GPA | General Use | DR | 131 | TS | GPA | General Use | DR | 132 | TS | GPA | General Use | DR | 139 | TS | GPA | General Use | DR | 147 | TS | GPA | AF Power Amp | GT | 153 | GT | GPA | Switching | DR | 154 | TS | GPA | General Use | DR | 155 | TS | GPA | General Use | TS | 161 | TS | GMA | AF Amplifier | TS | 162 | TS | GMA | General Use | TS | 163 | TS | GPA | AF Amplifier | TS | 164 | TS | GPA | AF Amplifier | TS | 165 | TS | GPA | AF Amplifier | TS | 166 | TS | GPA | AF Amplifier | GT | 167 | GTC | GPA | Switching | TS | 176 | TS | GPA | AF Power Amp | 200 | TI | GNG | GPA | General Use | 201 | TI | GNG | GPA | General Use | 202 | TI | GNG | GPA | General Use | 206 | TI | GNG | GPA | AF Amplifier | 207 | TI | GNG | GPA | AF Amplifier | 208 | TI | GNG | GPA | AF Amplifier | GT | 210 | GTC | GPA | Switching | 210 | TI | GNG | GPA | AF Amplifier | 220 | TI | GNG | GPA | AF Amplifier | 221 | TI | GNG | GPA | IF Amplifier | GT | 222 | GTC | GPA | General Use | 222 | TI | GNG | GPA | IF Amplifier | 223 | TI | GNG | GPA | Converter | 224 | TI | GNG | GPA | Detector | 225 | TI | GNG | GPA | IF Amplifier | 227 | TI | GNG | GPA | IF Amplifier | 228 | TI | GNG | GPA | Detector | GT | 229 | GTC | GNA | AF Amplifier | 234 | TI | CNA | IF Amplifier | IF Amplifier | 235 | TI | GNA | GPA | Converter | GT | 269 | GTC | GPA | RF Amplifier | 301 | TI | GPA | AF Amplifier | AF Amplifier | 302 | TI | GPA | AF Amplifier | AF Amplifier | 310 | TI | GPA | AF Amplifier | AF Amplifier | 310 | TI | GPA | AF Amplifier | AF Amplifier | | | | | | | | | | | | | | | | | | | | | | | | | | | | | | | | | | | | | | | | | | | | | | | | | | | | | | | | | | | | | | | | | | | | | | | | | | | | | | | | | | | | | | | | | | | | | | | | | | | | | | | | | | | | | | |
| 2N1325 | CBS | GNA | AF Amplifier | AF Amplifier | 2N1326 | CBS | GPA | AF Amplifier | AF Amplifier | 2N1327 | CBS | GNA | AF Amplifier | AF Amplifier | 2N1328 | CBS | GPA | AF Amplifier | AF Amplifier | 2N1329 | CBS | GNA | AF Amplifier | AF Amplifier | 2N1330 | CBS | GPA | AF Amplifier | AF Amplifier | 2N1331 | CBS | GNA | AF Amplifier | AF Amplifier | 2N1332 | CBS | GPA | AF Amplifier | AF Amplifier | 2N1333 | CBS | GNA | AF Amplifier | AF Amplifier | 2N1334 | CBS | GPA | AF Amplifier | AF Amplifier | 2N1358 | DEL | GPA | General Use | General Use | 2N1395 | RCA | GPD | RF Amplifier | RF Amplifier | 2N1396 | RCA | GPD | RF Amplifier | RF Amplifier | 2N1397 | RCA | GPD | RF Amplifier | RF Amplifier | 2N1425 | RCA | GPD | IF Amplifier | IF Amplifier | 2N1426 | RCA | GPD | Converter | Converter | 2N1431 | SYL | GNA | AF Amplifier | AF Amplifier | 2N1432 | SYL | GPD | RF Amplifier | RF Amplifier | 2N1479 | RCA | SNJ | Power Switch | Power Switch | 2N1480 | RCA | SNJ | Power Switch | Power Switch | 2N1481 | RCA | SNJ | Power Switch | Power Switch | 2N1482 | RCA | SNJ | Power Switch | Power Switch | 2N1483 | RCA | SNJ | Power Switch | Power Switch | 2N1484 | RCA | SNJ | Power Switch | Power Switch | 2N1485 | RCA | SNJ | Power Switch | Power Switch | 2N1486 | RCA | SNJ | Power Switch | Power Switch | 2N1487 | RCA | SNJ | Power Switch | Power Switch | 2N1488 | RCA | SNJ | Power Switch | Power Switch | 2N1489 | RCA | SNJ | Power Switch | Power Switch | 2N1490 | RCA | SNJ | Power Switch | Power Switch | 3N22 | WHI | GNG | RF Amplifier | RF Amplifier | 3N23 | BOG | GNG | RF Amplifier | RF Amplifier | 3N23A | BOG | GNG | RF Amplifier | RF Amplifier | 3N23B | BOG | GNG | RF Amplifier | RF Amplifier | 3N23C | BOG | GNG | RF Amplifier | RF Amplifier | 3N25 | TI | GPJ | VHF Amp | VHF Amp | 3N26 | TI | SNG | RF Amplifier | RF Amplifier | 3N27 | TI | SNG | RF Amplifier | RF Amplifier | 3N29 | GE | GNA | RF Amplifier | RF Amplifier | 3N30 | GE | GNA | RF Amplifier | RF Amplifier | 3N31 | GE | GNA | RF Amplifier | RF Amplifier | 3N32 | TI | SNG | RF Amplifier | RF Amplifier | 3N33 | TI | SNG | RF Amplifier | RF Amplifier | 3N34 | TI | SNG | RF Amplifier | RF Amplifier | 3N35 | TI | SNG | RF Amplifier | RF Amplifier | 3N36 | GE | GNG | RF Amplifier | RF Amplifier | 3N37 | GE | GNG | RF Amplifier | RF Amplifier | 4JD1B2 | GE | GPA | Switching | Switching | 4JD1B3 | GE | GPA | Switching | Switching | 4JD1B4 | GE | GPA | Switching | Switching | 4JD4A2 | GE | GNG | IF Amplifier | IF Amplifier | 4JD4A3 | GE | GNG | Switching | Switching | 4JD4A4 | GE | GNG | IF Amplifier | IF Amplifier | 4JD4A5 | GE | GNG | RF Amplifier | RF Amplifier | 5A | SPR | GC | Switching | Switching | 5B | CTP | SD | Photo Use | Photo Use | 5C | CTP | SD | Photo Use | Photo Use | 8D | SPR | GPA | AF Amplifier | AF Amplifier | 8E | SPR | GPA | AF Amplifier | AF Amplifier | 8F | SPR | GPA | AF Amplifier | AF Amplifier | 10A | CTP | SD | Photo Use | Photo Use | 10A | SPR | GPA | AF Amplifier | AF Amplifier | 10B | CTP | SD | Photo Use | Photo Use | 10B | SPR | GPA | AF Amplifier | AF Amplifier | 10C | SPR | GPA | AF Amplifier | AF Amplifier | 11A | CTP | SO | Photo Use | Photo Use | 11B | CTP | SD | Photo Use | Photo Use | ZJ | 12 | GE | SNG | AF Amplifier | CK | 13 | RK | GPA | RF Amplifier | ZJ | 13 | GE | GNG | AF Amplifier | MN | 13A | MOT | GPA | AF Amplifier | MN | 13B | MOT | GPA | AF Amplifier | MN | 13C | MOT | GPA | AF Amplifier | ZJ | 13 | GE | GNG | AF Amplifier | CK | 14 | RK | GPA | RF Amplifier | GT | 14 | GTC | GPA | AF Amplifier | RR | 14 | RR | GPA | AF Amplifier | ZJ | 14 | GE | SD | Switching | ZJ | 14H | GTC | GPA | AF Amplifier | OC | 16 | AMP | GPA | AF Power Amp | ZJ | 16 | CK | RR | AF Power Amp | CK | 17 | RR | RR | AF Power Amp | MN | 19 | MOT | GPA | AF Amplifier | GT | 20 | GTC | GPA | AF Amplifier | RR | 20 | RR | GPA | AF Amplifier | GT | 20H | GTC | GPA | AF Amplifier | MN | 21 | MOT | GPA | AF Power Amp | RR | 21 | RR | GPA | AF Amplifier | GT | 24 | GTC | GPA | AF Amplifier | MN | 24 | MOT | GPA | AF Power Amp | MN | 25 | MOT | GPA | AF Power Amp | CK | 26 | RK | MOT | Switching | MN | 26 | MOT | GPA | AF Power Amp | MN | 28 | MOT | GPA | AF Power Amp | MN | 29 | MOT | GPA | AF Power Amp | GT | 34 | GTC | GPA | AF Amplifier | RR | 34 | RR | GPA | AF Amplifier | T | 34A | NU | GPA | AF Amplifier | T | 34B | NU | GPA | AF Amplifier | T | 34C | NU | GPA | AF Amplifier | T | 34D | NU | GPA | AF Amplifier | T | 34E | NU | GPA | AF Amplifier | T | 34F | NU | GPA | AF Amplifier | GT | 34HV | GTC | GPA | Switching | GT | 34S | GTC | GPA | Detector | GT | 38 | GTC | GPA | AF Amplifier | RR | 38 | RR | GPA | AF Amplifier | OC | 44 | AMP | GPA | RF Amplifier | OC | 45 | AMP | GPA | RF Amplifier | OC | 50 | AMP | GC | Oscillator | OC | 51 | AMP | GC | Switching | OC | 65 | AMP | GC | AF Amplifier | CT | 66 | GTC | GPA | Photo Use | OC | 66 | AMP | GPA | AF Amplifier | RR | 66 | RR | SD | AF Amplifier | OC | 70 | AMP | GPA | AF Amplifier | OC | 71 | AMP | GPA | RF Amplifier | OC | 72 | AMP | GMA | AF Amplifier | ZJ | 72 | GE | GNG | VHF Amplifier | OC | 73 | AMP | GPA | AF Amplifier | ZJ | 73 | GE | GNG | AF Amplifier | GT | 74 | GTC | GPA | AF Amplifier | GT | 75 | GTC | GPA | AF Amplifier | OC | 76 | AMP | GPA | Switching | GT | 81 | GTC | GPA | AF Amplifier | GT | 81H | GTC | GPA | AF Amplifier | GT | 81HS | GTC | GPA | AF Amplifier | GT | 82 | GTC | GPA | Switching | GT | 83 | GTC | GPA | Switching | GT | 87 | GTC | GPA | Switching | GT | 88 | GTC | GPA | Switching | DR | 100 | TS | GPA | AF Amplifier | DR | 101 | TS | GPA | AF Amplifier | DR | 102 | TS | GPA | AF Amplifier | GT | 109 | GTC | GPA | AF Amplifier | GT | 122 | GTC | GPA | Switching | GT | 123 | GTC | GPA | Switching | RR | 125 | RR | GPA | AF Amplifier | DR | 126 | TS | GPA | AF Amplifier | DR | 128 | TS | GPA | AF Amplifier | DR | 129 | TS | GPA | General Use | DR | 130 | TS | GPA | General Use | DR | 131 | TS | GPA | General Use | DR | 132 | TS | GPA | General Use | DR | 139 | TS | GPA | General Use | DR | 147 | TS | GPA | AF Power Amp | GT | 153 | GT | GPA | Switching | DR | 154 | TS | GPA | General Use | DR | 155 | TS | GPA | General Use | TS | 161 | TS | GMA | AF Amplifier | TS | 162 | TS | GMA | General Use | TS | 163 | TS | GPA | AF Amplifier | TS | 164 | TS | GPA | AF Amplifier | TS | 165 | TS | GPA | AF Amplifier | TS | 166 | TS | GPA | AF Amplifier | GT | 167 | GTC | GPA | Switching | TS | 176 | TS | GPA | AF Power Amp | 200 | TI | GNG | GPA | General Use | 201 | TI | GNG | GPA | General Use | 202 | TI | GNG | GPA | General Use | 206 | TI | GNG | GPA | AF Amplifier | 207 | TI | GNG | GPA | AF Amplifier | 208 | TI | GNG | GPA | AF Amplifier | GT | 210 | GTC | GPA | Switching | 210 | TI | GNG | GPA | AF Amplifier | 220 | TI | GNG | GPA | AF Amplifier | 221 | TI | GNG | GPA | IF Amplifier | GT | 222 | GTC | GPA | General Use | 222 | TI | GNG | GPA | IF Amplifier | 223 | TI | GNG | GPA | Converter | 224 | TI | GNG | GPA | Detector | 225 | TI | GNG | GPA | IF Amplifier | 227 | TI | GNG | GPA | IF Amplifier | 228 | TI | GNG | GPA | Detector | GT | 229 | GTC | GNA | AF Amplifier | 234 | TI | CNA | IF Amplifier | IF Amplifier | 235 | TI | GNA | GPA | Converter | GT | 269 | GTC | GPA | RF Amplifier | 301 | TI | GPA | AF Amplifier | AF Amplifier | 302 | TI | GPA | AF Amplifier | AF Amplifier | 310 | TI | GPA | AF Amplifier | AF Amplifier | 310 | TI | GPA | AF Amplifier | AF Amplifier | | | | | | | | | | | | | | | | | | | | | | | | | | | | | | | | | | | | | | | | | | | | | | | | | | | | | | | | | | | | | | | | | | | | | | | | | | | | | | | | | | | | | | | | | | | | | | | | | | | | | | | | | | | | | | | | | | | |
| 2N1326 | CBS | GPA | AF Amplifier | AF Amplifier | 2N1327 | CBS | GNA | AF Amplifier | AF Amplifier | 2N1328 | CBS | GPA | AF Amplifier | AF Amplifier | 2N1329 | CBS | GNA | AF Amplifier | AF Amplifier | 2N1330 | CBS | GPA | AF Amplifier | AF Amplifier | 2N1331 | CBS | GNA | AF Amplifier | AF Amplifier | 2N1332 | CBS | GPA | AF Amplifier | AF Amplifier | 2N1333 | CBS | GNA | AF Amplifier | AF Amplifier | 2N1334 | CBS | GPA | AF Amplifier | AF Amplifier | 2N1358 | DEL | GPA | General Use | General Use | 2N1395 | RCA | GPD | RF Amplifier | RF Amplifier | 2N1396 | RCA | GPD | RF Amplifier | RF Amplifier | 2N1397 | RCA | GPD | RF Amplifier | RF Amplifier | 2N1425 | RCA | GPD | IF Amplifier | IF Amplifier | 2N1426 | RCA | GPD | Converter | Converter | 2N1431 | SYL | GNA | AF Amplifier | AF Amplifier | 2N1432 | SYL | GPD | RF Amplifier | RF Amplifier | 2N1479 | RCA | SNJ | Power Switch | Power Switch | 2N1480 | RCA | SNJ | Power Switch | Power Switch | 2N1481 | RCA | SNJ | Power Switch | Power Switch | 2N1482 | RCA | SNJ | Power Switch | Power Switch | 2N1483 | RCA | SNJ | Power Switch | Power Switch | 2N1484 | RCA | SNJ | Power Switch | Power Switch | 2N1485 | RCA | SNJ | Power Switch | Power Switch | 2N1486 | RCA | SNJ | Power Switch | Power Switch | 2N1487 | RCA | SNJ | Power Switch | Power Switch | 2N1488 | RCA | SNJ | Power Switch | Power Switch | 2N1489 | RCA | SNJ | Power Switch | Power Switch | 2N1490 | RCA | SNJ | Power Switch | Power Switch | 3N22 | WHI | GNG | RF Amplifier | RF Amplifier | 3N23 | BOG | GNG | RF Amplifier | RF Amplifier | 3N23A | BOG | GNG | RF Amplifier | RF Amplifier | 3N23B | BOG | GNG | RF Amplifier | RF Amplifier | 3N23C | BOG | GNG | RF Amplifier | RF Amplifier | 3N25 | TI | GPJ | VHF Amp | VHF Amp | 3N26 | TI | SNG | RF Amplifier | RF Amplifier | 3N27 | TI | SNG | RF Amplifier | RF Amplifier | 3N29 | GE | GNA | RF Amplifier | RF Amplifier | 3N30 | GE | GNA | RF Amplifier | RF Amplifier | 3N31 | GE | GNA | RF Amplifier | RF Amplifier | 3N32 | TI | SNG | RF Amplifier | RF Amplifier | 3N33 | TI | SNG | RF Amplifier | RF Amplifier | 3N34 | TI | SNG | RF Amplifier | RF Amplifier | 3N35 | TI | SNG | RF Amplifier | RF Amplifier | 3N36 | GE | GNG | RF Amplifier | RF Amplifier | 3N37 | GE | GNG | RF Amplifier | RF Amplifier | 4JD1B2 | GE | GPA | Switching | Switching | 4JD1B3 | GE | GPA | Switching | Switching | 4JD1B4 | GE | GPA | Switching | Switching | 4JD4A2 | GE | GNG | IF Amplifier | IF Amplifier | 4JD4A3 | GE | GNG | Switching | Switching | 4JD4A4 | GE | GNG | IF Amplifier | IF Amplifier | 4JD4A5 | GE | GNG | RF Amplifier | RF Amplifier | 5A | SPR | GC | Switching | Switching | 5B | CTP | SD | Photo Use | Photo Use | 5C | CTP | SD | Photo Use | Photo Use | 8D | SPR | GPA | AF Amplifier | AF Amplifier | 8E | SPR | GPA | AF Amplifier | AF Amplifier | 8F | SPR | GPA | AF Amplifier | AF Amplifier | 10A | CTP | SD | Photo Use | Photo Use | 10A | SPR | GPA | AF Amplifier | AF Amplifier | 10B | CTP | SD | Photo Use | Photo Use | 10B | SPR | GPA | AF Amplifier | AF Amplifier | 10C | SPR | GPA | AF Amplifier | AF Amplifier | 11A | CTP | SO | Photo Use | Photo Use | 11B | CTP | SD | Photo Use | Photo Use | ZJ | 12 | GE | SNG | AF Amplifier | CK | 13 | RK | GPA | RF Amplifier | ZJ | 13 | GE | GNG | AF Amplifier | MN | 13A | MOT | GPA | AF Amplifier | MN | 13B | MOT | GPA | AF Amplifier | MN | 13C | MOT | GPA | AF Amplifier | ZJ | 13 | GE | GNG | AF Amplifier | CK | 14 | RK | GPA | RF Amplifier | GT | 14 | GTC | GPA | AF Amplifier | RR | 14 | RR | GPA | AF Amplifier | ZJ | 14 | GE | SD | Switching | ZJ | 14H | GTC | GPA | AF Amplifier | OC | 16 | AMP | GPA | AF Power Amp | ZJ | 16 | CK | RR | AF Power Amp | CK | 17 | RR | RR | AF Power Amp | MN | 19 | MOT | GPA | AF Amplifier | GT | 20 | GTC | GPA | AF Amplifier | RR | 20 | RR | GPA | AF Amplifier | GT | 20H | GTC | GPA | AF Amplifier | MN | 21 | MOT | GPA | AF Power Amp | RR | 21 | RR | GPA | AF Amplifier | GT | 24 | GTC | GPA | AF Amplifier | MN | 24 | MOT | GPA | AF Power Amp | MN | 25 | MOT | GPA | AF Power Amp | CK | 26 | RK | MOT | Switching | MN | 26 | MOT | GPA | AF Power Amp | MN | 28 | MOT | GPA | AF Power Amp | MN | 29 | MOT | GPA | AF Power Amp | GT | 34 | GTC | GPA | AF Amplifier | RR | 34 | RR | GPA | AF Amplifier | T | 34A | NU | GPA | AF Amplifier | T | 34B | NU | GPA | AF Amplifier | T | 34C | NU | GPA | AF Amplifier | T | 34D | NU | GPA | AF Amplifier | T | 34E | NU | GPA | AF Amplifier | T | 34F | NU | GPA | AF Amplifier | GT | 34HV | GTC | GPA | Switching | GT | 34S | GTC | GPA | Detector | GT | 38 | GTC | GPA | AF Amplifier | RR | 38 | RR | GPA | AF Amplifier | OC | 44 | AMP | GPA | RF Amplifier | OC | 45 | AMP | GPA | RF Amplifier | OC | 50 | AMP | GC | Oscillator | OC | 51 | AMP | GC | Switching | OC | 65 | AMP | GC | AF Amplifier | CT | 66 | GTC | GPA | Photo Use | OC | 66 | AMP | GPA | AF Amplifier | RR | 66 | RR | SD | AF Amplifier | OC | 70 | AMP | GPA | AF Amplifier | OC | 71 | AMP | GPA | RF Amplifier | OC | 72 | AMP | GMA | AF Amplifier | ZJ | 72 | GE | GNG | VHF Amplifier | OC | 73 | AMP | GPA | AF Amplifier | ZJ | 73 | GE | GNG | AF Amplifier | GT | 74 | GTC | GPA | AF Amplifier | GT | 75 | GTC | GPA | AF Amplifier | OC | 76 | AMP | GPA | Switching | GT | 81 | GTC | GPA | AF Amplifier | GT | 81H | GTC | GPA | AF Amplifier | GT | 81HS | GTC | GPA | AF Amplifier | GT | 82 | GTC | GPA | Switching | GT | 83 | GTC | GPA | Switching | GT | 87 | GTC | GPA | Switching | GT | 88 | GTC | GPA | Switching | DR | 100 | TS | GPA | AF Amplifier | DR | 101 | TS | GPA | AF Amplifier | DR | 102 | TS | GPA | AF Amplifier | GT | 109 | GTC | GPA | AF Amplifier | GT | 122 | GTC | GPA | Switching | GT | 123 | GTC | GPA | Switching | RR | 125 | RR | GPA | AF Amplifier | DR | 126 | TS | GPA | AF Amplifier | DR | 128 | TS | GPA | AF Amplifier | DR | 129 | TS | GPA | General Use | DR | 130 | TS | GPA | General Use | DR | 131 | TS | GPA | General Use | DR | 132 | TS | GPA | General Use | DR | 139 | TS | GPA | General Use | DR | 147 | TS | GPA | AF Power Amp | GT | 153 | GT | GPA | Switching | DR | 154 | TS | GPA | General Use | DR | 155 | TS | GPA | General Use | TS | 161 | TS | GMA | AF Amplifier | TS | 162 | TS | GMA | General Use | TS | 163 | TS | GPA | AF Amplifier | TS | 164 | TS | GPA | AF Amplifier | TS | 165 | TS | GPA | AF Amplifier | TS | 166 | TS | GPA | AF Amplifier | GT | 167 | GTC | GPA | Switching | TS | 176 | TS | GPA | AF Power Amp | 200 | TI | GNG | GPA | General Use | 201 | TI | GNG | GPA | General Use | 202 | TI | GNG | GPA | General Use | 206 | TI | GNG | GPA | AF Amplifier | 207 | TI | GNG | GPA | AF Amplifier | 208 | TI | GNG | GPA | AF Amplifier | GT | 210 | GTC | GPA | Switching | 210 | TI | GNG | GPA | AF Amplifier | 220 | TI | GNG | GPA | AF Amplifier | 221 | TI | GNG | GPA | IF Amplifier | GT | 222 | GTC | GPA | General Use | 222 | TI | GNG | GPA | IF Amplifier | 223 | TI | GNG | GPA | Converter | 224 | TI | GNG | GPA | Detector | 225 | TI | GNG | GPA | IF Amplifier | 227 | TI | GNG | GPA | IF Amplifier | 228 | TI | GNG | GPA | Detector | GT | 229 | GTC | GNA | AF Amplifier | 234 | TI | CNA | IF Amplifier | IF Amplifier | 235 | TI | GNA | GPA | Converter | GT | 269 | GTC | GPA | RF Amplifier | 301 | TI | GPA | AF Amplifier | AF Amplifier | 302 | TI | GPA | AF Amplifier | AF Amplifier | 310 | TI | GPA | AF Amplifier | AF Amplifier | 310 | TI | GPA | AF Amplifier | AF Amplifier | | | | | | | | | | | | | | | | | | | | | | | | | | | | | | | | | | | | | | | | | | | | | | | | | | | | | | | | | | | | | | | | | | | | | | | | | | | | | | | | | | | | | | | | | | | | | | | | | | | | | | | | | | | | | | | | | | | | | | | | |
| 2N1327 | CBS | GNA | AF Amplifier | AF Amplifier | 2N1328 | CBS | GPA | AF Amplifier | AF Amplifier | 2N1329 | CBS | GNA | AF Amplifier | AF Amplifier | 2N1330 | CBS | GPA | AF Amplifier | AF Amplifier | 2N1331 | CBS | GNA | AF Amplifier | AF Amplifier | 2N1332 | CBS | GPA | AF Amplifier | AF Amplifier | 2N1333 | CBS | GNA | AF Amplifier | AF Amplifier | 2N1334 | CBS | GPA | AF Amplifier | AF Amplifier | 2N1358 | DEL | GPA | General Use | General Use | 2N1395 | RCA | GPD | RF Amplifier | RF Amplifier | 2N1396 | RCA | GPD | RF Amplifier | RF Amplifier | 2N1397 | RCA | GPD | RF Amplifier | RF Amplifier | 2N1425 | RCA | GPD | IF Amplifier | IF Amplifier | 2N1426 | RCA | GPD | Converter | Converter | 2N1431 | SYL | GNA | AF Amplifier | AF Amplifier | 2N1432 | SYL | GPD | RF Amplifier | RF Amplifier | 2N1479 | RCA | SNJ | Power Switch | Power Switch | 2N1480 | RCA | SNJ | Power Switch | Power Switch | 2N1481 | RCA | SNJ | Power Switch | Power Switch | 2N1482 | RCA | SNJ | Power Switch | Power Switch | 2N1483 | RCA | SNJ | Power Switch | Power Switch | 2N1484 | RCA | SNJ | Power Switch | Power Switch | 2N1485 | RCA | SNJ | Power Switch | Power Switch | 2N1486 | RCA | SNJ | Power Switch | Power Switch | 2N1487 | RCA | SNJ | Power Switch | Power Switch | 2N1488 | RCA | SNJ | Power Switch | Power Switch | 2N1489 | RCA | SNJ | Power Switch | Power Switch | 2N1490 | RCA | SNJ | Power Switch | Power Switch | 3N22 | WHI | GNG | RF Amplifier | RF Amplifier | 3N23 | BOG | GNG | RF Amplifier | RF Amplifier | 3N23A | BOG | GNG | RF Amplifier | RF Amplifier | 3N23B | BOG | GNG | RF Amplifier | RF Amplifier | 3N23C | BOG | GNG | RF Amplifier | RF Amplifier | 3N25 | TI | GPJ | VHF Amp | VHF Amp | 3N26 | TI | SNG | RF Amplifier | RF Amplifier | 3N27 | TI | SNG | RF Amplifier | RF Amplifier | 3N29 | GE | GNA | RF Amplifier | RF Amplifier | 3N30 | GE | GNA | RF Amplifier | RF Amplifier | 3N31 | GE | GNA | RF Amplifier | RF Amplifier | 3N32 | TI | SNG | RF Amplifier | RF Amplifier | 3N33 | TI | SNG | RF Amplifier | RF Amplifier | 3N34 | TI | SNG | RF Amplifier | RF Amplifier | 3N35 | TI | SNG | RF Amplifier | RF Amplifier | 3N36 | GE | GNG | RF Amplifier | RF Amplifier | 3N37 | GE | GNG | RF Amplifier | RF Amplifier | 4JD1B2 | GE | GPA | Switching | Switching | 4JD1B3 | GE | GPA | Switching | Switching | 4JD1B4 | GE | GPA | Switching | Switching | 4JD4A2 | GE | GNG | IF Amplifier | IF Amplifier | 4JD4A3 | GE | GNG | Switching | Switching | 4JD4A4 | GE | GNG | IF Amplifier | IF Amplifier | 4JD4A5 | GE | GNG | RF Amplifier | RF Amplifier | 5A | SPR | GC | Switching | Switching | 5B | CTP | SD | Photo Use | Photo Use | 5C | CTP | SD | Photo Use | Photo Use | 8D | SPR | GPA | AF Amplifier | AF Amplifier | 8E | SPR | GPA | AF Amplifier | AF Amplifier | 8F | SPR | GPA | AF Amplifier | AF Amplifier | 10A | CTP | SD | Photo Use | Photo Use | 10A | SPR | GPA | AF Amplifier | AF Amplifier | 10B | CTP | SD | Photo Use | Photo Use | 10B | SPR | GPA | AF Amplifier | AF Amplifier | 10C | SPR | GPA | AF Amplifier | AF Amplifier | 11A | CTP | SO | Photo Use | Photo Use | 11B | CTP | SD | Photo Use | Photo Use | ZJ | 12 | GE | SNG | AF Amplifier | CK | 13 | RK | GPA | RF Amplifier | ZJ | 13 | GE | GNG | AF Amplifier | MN | 13A | MOT | GPA | AF Amplifier | MN | 13B | MOT | GPA | AF Amplifier | MN | 13C | MOT | GPA | AF Amplifier | ZJ | 13 | GE | GNG | AF Amplifier | CK | 14 | RK | GPA | RF Amplifier | GT | 14 | GTC | GPA | AF Amplifier | RR | 14 | RR | GPA | AF Amplifier | ZJ | 14 | GE | SD | Switching | ZJ | 14H | GTC | GPA | AF Amplifier | OC | 16 | AMP | GPA | AF Power Amp | ZJ | 16 | CK | RR | AF Power Amp | CK | 17 | RR | RR | AF Power Amp | MN | 19 | MOT | GPA | AF Amplifier | GT | 20 | GTC | GPA | AF Amplifier | RR | 20 | RR | GPA | AF Amplifier | GT | 20H | GTC | GPA | AF Amplifier | MN | 21 | MOT | GPA | AF Power Amp | RR | 21 | RR | GPA | AF Amplifier | GT | 24 | GTC | GPA | AF Amplifier | MN | 24 | MOT | GPA | AF Power Amp | MN | 25 | MOT | GPA | AF Power Amp | CK | 26 | RK | MOT | Switching | MN | 26 | MOT | GPA | AF Power Amp | MN | 28 | MOT | GPA | AF Power Amp | MN | 29 | MOT | GPA | AF Power Amp | GT | 34 | GTC | GPA | AF Amplifier | RR | 34 | RR | GPA | AF Amplifier | T | 34A | NU | GPA | AF Amplifier | T | 34B | NU | GPA | AF Amplifier | T | 34C | NU | GPA | AF Amplifier | T | 34D | NU | GPA | AF Amplifier | T | 34E | NU | GPA | AF Amplifier | T | 34F | NU | GPA | AF Amplifier | GT | 34HV | GTC | GPA | Switching | GT | 34S | GTC | GPA | Detector | GT | 38 | GTC | GPA | AF Amplifier | RR | 38 | RR | GPA | AF Amplifier | OC | 44 | AMP | GPA | RF Amplifier | OC | 45 | AMP | GPA | RF Amplifier | OC | 50 | AMP | GC | Oscillator | OC | 51 | AMP | GC | Switching | OC | 65 | AMP | GC | AF Amplifier | CT | 66 | GTC | GPA | Photo Use | OC | 66 | AMP | GPA | AF Amplifier | RR | 66 | RR | SD | AF Amplifier | OC | 70 | AMP | GPA | AF Amplifier | OC | 71 | AMP | GPA | RF Amplifier | OC | 72 | AMP | GMA | AF Amplifier | ZJ | 72 | GE | GNG | VHF Amplifier | OC | 73 | AMP | GPA | AF Amplifier | ZJ | 73 | GE | GNG | AF Amplifier | GT | 74 | GTC | GPA | AF Amplifier | GT | 75 | GTC | GPA | AF Amplifier | OC | 76 | AMP | GPA | Switching | GT | 81 | GTC | GPA | AF Amplifier | GT | 81H | GTC | GPA | AF Amplifier | GT | 81HS | GTC | GPA | AF Amplifier | GT | 82 | GTC | GPA | Switching | GT | 83 | GTC | GPA | Switching | GT | 87 | GTC | GPA | Switching | GT | 88 | GTC | GPA | Switching | DR | 100 | TS | GPA | AF Amplifier | DR | 101 | TS | GPA | AF Amplifier | DR | 102 | TS | GPA | AF Amplifier | GT | 109 | GTC | GPA | AF Amplifier | GT | 122 | GTC | GPA | Switching | GT | 123 | GTC | GPA | Switching | RR | 125 | RR | GPA | AF Amplifier | DR | 126 | TS | GPA | AF Amplifier | DR | 128 | TS | GPA | AF Amplifier | DR | 129 | TS | GPA | General Use | DR | 130 | TS | GPA | General Use | DR | 131 | TS | GPA | General Use | DR | 132 | TS | GPA | General Use | DR | 139 | TS | GPA | General Use | DR | 147 | TS | GPA | AF Power Amp | GT | 153 | GT | GPA | Switching | DR | 154 | TS | GPA | General Use | DR | 155 | TS | GPA | General Use | TS | 161 | TS | GMA | AF Amplifier | TS | 162 | TS | GMA | General Use | TS | 163 | TS | GPA | AF Amplifier | TS | 164 | TS | GPA | AF Amplifier | TS | 165 | TS | GPA | AF Amplifier | TS | 166 | TS | GPA | AF Amplifier | GT | 167 | GTC | GPA | Switching | TS | 176 | TS | GPA | AF Power Amp | 200 | TI | GNG | GPA | General Use | 201 | TI | GNG | GPA | General Use | 202 | TI | GNG | GPA | General Use | 206 | TI | GNG | GPA | AF Amplifier | 207 | TI | GNG | GPA | AF Amplifier | 208 | TI | GNG | GPA | AF Amplifier | GT | 210 | GTC | GPA | Switching | 210 | TI | GNG | GPA | AF Amplifier | 220 | TI | GNG | GPA | AF Amplifier | 221 | TI | GNG | GPA | IF Amplifier | GT | 222 | GTC | GPA | General Use | 222 | TI | GNG | GPA | IF Amplifier | 223 | TI | GNG | GPA | Converter | 224 | TI | GNG | GPA | Detector | 225 | TI | GNG | GPA | IF Amplifier | 227 | TI | GNG | GPA | IF Amplifier | 228 | TI | GNG | GPA | Detector | GT | 229 | GTC | GNA | AF Amplifier | 234 | TI | CNA | IF Amplifier | IF Amplifier | 235 | TI | GNA | GPA | Converter | GT | 269 | GTC | GPA | RF Amplifier | 301 | TI | GPA | AF Amplifier | AF Amplifier | 302 | TI | GPA | AF Amplifier | AF Amplifier | 310 | TI | GPA | AF Amplifier | AF Amplifier | 310 | TI | GPA | AF Amplifier | AF Amplifier | | | | | | | | | | | | | | | | | | | | | | | | | | | | | | | | | | | | | | | | | | | | | | | | | | | | | | | | | | | | | | | | | | | | | | | | | | | | | | | | | | | | | | | | | | | | | | | | | | | | | | | | | | | | | | | | | | | | | | | | | | | | | |
| 2N1328 | CBS | GPA | AF Amplifier | AF Amplifier | 2N1329 | CBS | GNA | AF Amplifier | AF Amplifier | 2N1330 | CBS | GPA | AF Amplifier | AF Amplifier | 2N1331 | CBS | GNA | AF Amplifier | AF Amplifier | 2N1332 | CBS | GPA | AF Amplifier | AF Amplifier | 2N1333 | CBS | GNA | AF Amplifier | AF Amplifier | 2N1334 | CBS | GPA | AF Amplifier | AF Amplifier | 2N1358 | DEL | GPA | General Use | General Use | 2N1395 | RCA | GPD | RF Amplifier | RF Amplifier | 2N1396 | RCA | GPD | RF Amplifier | RF Amplifier | 2N1397 | RCA | GPD | RF Amplifier | RF Amplifier | 2N1425 | RCA | GPD | IF Amplifier | IF Amplifier | 2N1426 | RCA | GPD | Converter | Converter | 2N1431 | SYL | GNA | AF Amplifier | AF Amplifier | 2N1432 | SYL | GPD | RF Amplifier | RF Amplifier | 2N1479 | RCA | SNJ | Power Switch | Power Switch | 2N1480 | RCA | SNJ | Power Switch | Power Switch | 2N1481 | RCA | SNJ | Power Switch | Power Switch | 2N1482 | RCA | SNJ | Power Switch | Power Switch | 2N1483 | RCA | SNJ | Power Switch | Power Switch | 2N1484 | RCA | SNJ | Power Switch | Power Switch | 2N1485 | RCA | SNJ | Power Switch | Power Switch | 2N1486 | RCA | SNJ | Power Switch | Power Switch | 2N1487 | RCA | SNJ | Power Switch | Power Switch | 2N1488 | RCA | SNJ | Power Switch | Power Switch | 2N1489 | RCA | SNJ | Power Switch | Power Switch | 2N1490 | RCA | SNJ | Power Switch | Power Switch | 3N22 | WHI | GNG | RF Amplifier | RF Amplifier | 3N23 | BOG | GNG | RF Amplifier | RF Amplifier | 3N23A | BOG | GNG | RF Amplifier | RF Amplifier | 3N23B | BOG | GNG | RF Amplifier | RF Amplifier | 3N23C | BOG | GNG | RF Amplifier | RF Amplifier | 3N25 | TI | GPJ | VHF Amp | VHF Amp | 3N26 | TI | SNG | RF Amplifier | RF Amplifier | 3N27 | TI | SNG | RF Amplifier | RF Amplifier | 3N29 | GE | GNA | RF Amplifier | RF Amplifier | 3N30 | GE | GNA | RF Amplifier | RF Amplifier | 3N31 | GE | GNA | RF Amplifier | RF Amplifier | 3N32 | TI | SNG | RF Amplifier | RF Amplifier | 3N33 | TI | SNG | RF Amplifier | RF Amplifier | 3N34 | TI | SNG | RF Amplifier | RF Amplifier | 3N35 | TI | SNG | RF Amplifier | RF Amplifier | 3N36 | GE | GNG | RF Amplifier | RF Amplifier | 3N37 | GE | GNG | RF Amplifier | RF Amplifier | 4JD1B2 | GE | GPA | Switching | Switching | 4JD1B3 | GE | GPA | Switching | Switching | 4JD1B4 | GE | GPA | Switching | Switching | 4JD4A2 | GE | GNG | IF Amplifier | IF Amplifier | 4JD4A3 | GE | GNG | Switching | Switching | 4JD4A4 | GE | GNG | IF Amplifier | IF Amplifier | 4JD4A5 | GE | GNG | RF Amplifier | RF Amplifier | 5A | SPR | GC | Switching | Switching | 5B | CTP | SD | Photo Use | Photo Use | 5C | CTP | SD | Photo Use | Photo Use | 8D | SPR | GPA | AF Amplifier | AF Amplifier | 8E | SPR | GPA | AF Amplifier | AF Amplifier | 8F | SPR | GPA | AF Amplifier | AF Amplifier | 10A | CTP | SD | Photo Use | Photo Use | 10A | SPR | GPA | AF Amplifier | AF Amplifier | 10B | CTP | SD | Photo Use | Photo Use | 10B | SPR | GPA | AF Amplifier | AF Amplifier | 10C | SPR | GPA | AF Amplifier | AF Amplifier | 11A | CTP | SO | Photo Use | Photo Use | 11B | CTP | SD | Photo Use | Photo Use | ZJ | 12 | GE | SNG | AF Amplifier | CK | 13 | RK | GPA | RF Amplifier | ZJ | 13 | GE | GNG | AF Amplifier | MN | 13A | MOT | GPA | AF Amplifier | MN | 13B | MOT | GPA | AF Amplifier | MN | 13C | MOT | GPA | AF Amplifier | ZJ | 13 | GE | GNG | AF Amplifier | CK | 14 | RK | GPA | RF Amplifier | GT | 14 | GTC | GPA | AF Amplifier | RR | 14 | RR | GPA | AF Amplifier | ZJ | 14 | GE | SD | Switching | ZJ | 14H | GTC | GPA | AF Amplifier | OC | 16 | AMP | GPA | AF Power Amp | ZJ | 16 | CK | RR | AF Power Amp | CK | 17 | RR | RR | AF Power Amp | MN | 19 | MOT | GPA | AF Amplifier | GT | 20 | GTC | GPA | AF Amplifier | RR | 20 | RR | GPA | AF Amplifier | GT | 20H | GTC | GPA | AF Amplifier | MN | 21 | MOT | GPA | AF Power Amp | RR | 21 | RR | GPA | AF Amplifier | GT | 24 | GTC | GPA | AF Amplifier | MN | 24 | MOT | GPA | AF Power Amp | MN | 25 | MOT | GPA | AF Power Amp | CK | 26 | RK | MOT | Switching | MN | 26 | MOT | GPA | AF Power Amp | MN | 28 | MOT | GPA | AF Power Amp | MN | 29 | MOT | GPA | AF Power Amp | GT | 34 | GTC | GPA | AF Amplifier | RR | 34 | RR | GPA | AF Amplifier | T | 34A | NU | GPA | AF Amplifier | T | 34B | NU | GPA | AF Amplifier | T | 34C | NU | GPA | AF Amplifier | T | 34D | NU | GPA | AF Amplifier | T | 34E | NU | GPA | AF Amplifier | T | 34F | NU | GPA | AF Amplifier | GT | 34HV | GTC | GPA | Switching | GT | 34S | GTC | GPA | Detector | GT | 38 | GTC | GPA | AF Amplifier | RR | 38 | RR | GPA | AF Amplifier | OC | 44 | AMP | GPA | RF Amplifier | OC | 45 | AMP | GPA | RF Amplifier | OC | 50 | AMP | GC | Oscillator | OC | 51 | AMP | GC | Switching | OC | 65 | AMP | GC | AF Amplifier | CT | 66 | GTC | GPA | Photo Use | OC | 66 | AMP | GPA | AF Amplifier | RR | 66 | RR | SD | AF Amplifier | OC | 70 | AMP | GPA | AF Amplifier | OC | 71 | AMP | GPA | RF Amplifier | OC | 72 | AMP | GMA | AF Amplifier | ZJ | 72 | GE | GNG | VHF Amplifier | OC | 73 | AMP | GPA | AF Amplifier | ZJ | 73 | GE | GNG | AF Amplifier | GT | 74 | GTC | GPA | AF Amplifier | GT | 75 | GTC | GPA | AF Amplifier | OC | 76 | AMP | GPA | Switching | GT | 81 | GTC | GPA | AF Amplifier | GT | 81H | GTC | GPA | AF Amplifier | GT | 81HS | GTC | GPA | AF Amplifier | GT | 82 | GTC | GPA | Switching | GT | 83 | GTC | GPA | Switching | GT | 87 | GTC | GPA | Switching | GT | 88 | GTC | GPA | Switching | DR | 100 | TS | GPA | AF Amplifier | DR | 101 | TS | GPA | AF Amplifier | DR | 102 | TS | GPA | AF Amplifier | GT | 109 | GTC | GPA | AF Amplifier | GT | 122 | GTC | GPA | Switching | GT | 123 | GTC | GPA | Switching | RR | 125 | RR | GPA | AF Amplifier | DR | 126 | TS | GPA | AF Amplifier | DR | 128 | TS | GPA | AF Amplifier | DR | 129 | TS | GPA | General Use | DR | 130 | TS | GPA | General Use | DR | 131 | TS | GPA | General Use | DR | 132 | TS | GPA | General Use | DR | 139 | TS | GPA | General Use | DR | 147 | TS | GPA | AF Power Amp | GT | 153 | GT | GPA | Switching | DR | 154 | TS | GPA | General Use | DR | 155 | TS | GPA | General Use | TS | 161 | TS | GMA | AF Amplifier | TS | 162 | TS | GMA | General Use | TS | 163 | TS | GPA | AF Amplifier | TS | 164 | TS | GPA | AF Amplifier | TS | 165 | TS | GPA | AF Amplifier | TS | 166 | TS | GPA | AF Amplifier | GT | 167 | GTC | GPA | Switching | TS | 176 | TS | GPA | AF Power Amp | 200 | TI | GNG | GPA | General Use | 201 | TI | GNG | GPA | General Use | 202 | TI | GNG | GPA | General Use | 206 | TI | GNG | GPA | AF Amplifier | 207 | TI | GNG | GPA | AF Amplifier | 208 | TI | GNG | GPA | AF Amplifier | GT | 210 | GTC | GPA | Switching | 210 | TI | GNG | GPA | AF Amplifier | 220 | TI | GNG | GPA | AF Amplifier | 221 | TI | GNG | GPA | IF Amplifier | GT | 222 | GTC | GPA | General Use | 222 | TI | GNG | GPA | IF Amplifier | 223 | TI | GNG | GPA | Converter | 224 | TI | GNG | GPA | Detector | 225 | TI | GNG | GPA | IF Amplifier | 227 | TI | GNG | GPA | IF Amplifier | 228 | TI | GNG | GPA | Detector | GT | 229 | GTC | GNA | AF Amplifier | 234 | TI | CNA | IF Amplifier | IF Amplifier | 235 | TI | GNA | GPA | Converter | GT | 269 | GTC | GPA | RF Amplifier | 301 | TI | GPA | AF Amplifier | AF Amplifier | 302 | TI | GPA | AF Amplifier | AF Amplifier | 310 | TI | GPA | AF Amplifier | AF Amplifier | 310 | TI | GPA | AF Amplifier | AF Amplifier | | | | | | | | | | | | | | | | | | | | | | | | | | | | | | | | | | | | | | | | | | | | | | | | | | | | | | | | | | | | | | | | | | | | | | | | | | | | | | | | | | | | | | | | | | | | | | | | | | | | | | | | | | | | | | | | | | | | | | | | | | | | | | | | | | |
| 2N1329 | CBS | GNA | AF Amplifier | AF Amplifier | 2N1330 | CBS | GPA | AF Amplifier | AF Amplifier | 2N1331 | CBS | GNA | AF Amplifier | AF Amplifier | 2N1332 | CBS | GPA | AF Amplifier | AF Amplifier | 2N1333 | CBS | GNA | AF Amplifier | AF Amplifier | 2N1334 | CBS | GPA | AF Amplifier | AF Amplifier | 2N1358 | DEL | GPA | General Use | General Use | 2N1395 | RCA | GPD | RF Amplifier | RF Amplifier | 2N1396 | RCA | GPD | RF Amplifier | RF Amplifier | 2N1397 | RCA | GPD | RF Amplifier | RF Amplifier | 2N1425 | RCA | GPD | IF Amplifier | IF Amplifier | 2N1426 | RCA | GPD | Converter | Converter | 2N1431 | SYL | GNA | AF Amplifier | AF Amplifier | 2N1432 | SYL | GPD | RF Amplifier | RF Amplifier | 2N1479 | RCA | SNJ | Power Switch | Power Switch | 2N1480 | RCA | SNJ | Power Switch | Power Switch | 2N1481 | RCA | SNJ | Power Switch | Power Switch | 2N1482 | RCA | SNJ | Power Switch | Power Switch | 2N1483 | RCA | SNJ | Power Switch | Power Switch | 2N1484 | RCA | SNJ | Power Switch | Power Switch | 2N1485 | RCA | SNJ | Power Switch | Power Switch | 2N1486 | RCA | SNJ | Power Switch | Power Switch | 2N1487 | RCA | SNJ | Power Switch | Power Switch | 2N1488 | RCA | SNJ | Power Switch | Power Switch | 2N1489 | RCA | SNJ | Power Switch | Power Switch | 2N1490 | RCA | SNJ | Power Switch | Power Switch | 3N22 | WHI | GNG | RF Amplifier | RF Amplifier | 3N23 | BOG | GNG | RF Amplifier | RF Amplifier | 3N23A | BOG | GNG | RF Amplifier | RF Amplifier | 3N23B | BOG | GNG | RF Amplifier | RF Amplifier | 3N23C | BOG | GNG | RF Amplifier | RF Amplifier | 3N25 | TI | GPJ | VHF Amp | VHF Amp | 3N26 | TI | SNG | RF Amplifier | RF Amplifier | 3N27 | TI | SNG | RF Amplifier | RF Amplifier | 3N29 | GE | GNA | RF Amplifier | RF Amplifier | 3N30 | GE | GNA | RF Amplifier | RF Amplifier | 3N31 | GE | GNA | RF Amplifier | RF Amplifier | 3N32 | TI | SNG | RF Amplifier | RF Amplifier | 3N33 | TI | SNG | RF Amplifier | RF Amplifier | 3N34 | TI | SNG | RF Amplifier | RF Amplifier | 3N35 | TI | SNG | RF Amplifier | RF Amplifier | 3N36 | GE | GNG | RF Amplifier | RF Amplifier | 3N37 | GE | GNG | RF Amplifier | RF Amplifier | 4JD1B2 | GE | GPA | Switching | Switching | 4JD1B3 | GE | GPA | Switching | Switching | 4JD1B4 | GE | GPA | Switching | Switching | 4JD4A2 | GE | GNG | IF Amplifier | IF Amplifier | 4JD4A3 | GE | GNG | Switching | Switching | 4JD4A4 | GE | GNG | IF Amplifier | IF Amplifier | 4JD4A5 | GE | GNG | RF Amplifier | RF Amplifier | 5A | SPR | GC | Switching | Switching | 5B | CTP | SD | Photo Use | Photo Use | 5C | CTP | SD | Photo Use | Photo Use | 8D | SPR | GPA | AF Amplifier | AF Amplifier | 8E | SPR | GPA | AF Amplifier | AF Amplifier | 8F | SPR | GPA | AF Amplifier | AF Amplifier | 10A | CTP | SD | Photo Use | Photo Use | 10A | SPR | GPA | AF Amplifier | AF Amplifier | 10B | CTP | SD | Photo Use | Photo Use | 10B | SPR | GPA | AF Amplifier | AF Amplifier | 10C | SPR | GPA | AF Amplifier | AF Amplifier | 11A | CTP | SO | Photo Use | Photo Use | 11B | CTP | SD | Photo Use | Photo Use | ZJ | 12 | GE | SNG | AF Amplifier | CK | 13 | RK | GPA | RF Amplifier | ZJ | 13 | GE | GNG | AF Amplifier | MN | 13A | MOT | GPA | AF Amplifier | MN | 13B | MOT | GPA | AF Amplifier | MN | 13C | MOT | GPA | AF Amplifier | ZJ | 13 | GE | GNG | AF Amplifier | CK | 14 | RK | GPA | RF Amplifier | GT | 14 | GTC | GPA | AF Amplifier | RR | 14 | RR | GPA | AF Amplifier | ZJ | 14 | GE | SD | Switching | ZJ | 14H | GTC | GPA | AF Amplifier | OC | 16 | AMP | GPA | AF Power Amp | ZJ | 16 | CK | RR | AF Power Amp | CK | 17 | RR | RR | AF Power Amp | MN | 19 | MOT | GPA | AF Amplifier | GT | 20 | GTC | GPA | AF Amplifier | RR | 20 | RR | GPA | AF Amplifier | GT | 20H | GTC | GPA | AF Amplifier | MN | 21 | MOT | GPA | AF Power Amp | RR | 21 | RR | GPA | AF Amplifier | GT | 24 | GTC | GPA | AF Amplifier | MN | 24 | MOT | GPA | AF Power Amp | MN | 25 | MOT | GPA | AF Power Amp | CK | 26 | RK | MOT | Switching | MN | 26 | MOT | GPA | AF Power Amp | MN | 28 | MOT | GPA | AF Power Amp | MN | 29 | MOT | GPA | AF Power Amp | GT | 34 | GTC | GPA | AF Amplifier | RR | 34 | RR | GPA | AF Amplifier | T | 34A | NU | GPA | AF Amplifier | T | 34B | NU | GPA | AF Amplifier | T | 34C | NU | GPA | AF Amplifier | T | 34D | NU | GPA | AF Amplifier | T | 34E | NU | GPA | AF Amplifier | T | 34F | NU | GPA | AF Amplifier | GT | 34HV | GTC | GPA | Switching | GT | 34S | GTC | GPA | Detector | GT | 38 | GTC | GPA | AF Amplifier | RR | 38 | RR | GPA | AF Amplifier | OC | 44 | AMP | GPA | RF Amplifier | OC | 45 | AMP | GPA | RF Amplifier | OC | 50 | AMP | GC | Oscillator | OC | 51 | AMP | GC | Switching | OC | 65 | AMP | GC | AF Amplifier | CT | 66 | GTC | GPA | Photo Use | OC | 66 | AMP | GPA | AF Amplifier | RR | 66 | RR | SD | AF Amplifier | OC | 70 | AMP | GPA | AF Amplifier | OC | 71 | AMP | GPA | RF Amplifier | OC | 72 | AMP | GMA | AF Amplifier | ZJ | 72 | GE | GNG | VHF Amplifier | OC | 73 | AMP | GPA | AF Amplifier | ZJ | 73 | GE | GNG | AF Amplifier | GT | 74 | GTC | GPA | AF Amplifier | GT | 75 | GTC | GPA | AF Amplifier | OC | 76 | AMP | GPA | Switching | GT | 81 | GTC | GPA | AF Amplifier | GT | 81H | GTC | GPA | AF Amplifier | GT | 81HS | GTC | GPA | AF Amplifier | GT | 82 | GTC | GPA | Switching | GT | 83 | GTC | GPA | Switching | GT | 87 | GTC | GPA | Switching | GT | 88 | GTC | GPA | Switching | DR | 100 | TS | GPA | AF Amplifier | DR | 101 | TS | GPA | AF Amplifier | DR | 102 | TS | GPA | AF Amplifier | GT | 109 | GTC | GPA | AF Amplifier | GT | 122 | GTC | GPA | Switching | GT | 123 | GTC | GPA | Switching | RR | 125 | RR | GPA | AF Amplifier | DR | 126 | TS | GPA | AF Amplifier | DR | 128 | TS | GPA | AF Amplifier | DR | 129 | TS | GPA | General Use | DR | 130 | TS | GPA | General Use | DR | 131 | TS | GPA | General Use | DR | 132 | TS | GPA | General Use | DR | 139 | TS | GPA | General Use | DR | 147 | TS | GPA | AF Power Amp | GT | 153 | GT | GPA | Switching | DR | 154 | TS | GPA | General Use | DR | 155 | TS | GPA | General Use | TS | 161 | TS | GMA | AF Amplifier | TS | 162 | TS | GMA | General Use | TS | 163 | TS | GPA | AF Amplifier | TS | 164 | TS | GPA | AF Amplifier | TS | 165 | TS | GPA | AF Amplifier | TS | 166 | TS | GPA | AF Amplifier | GT | 167 | GTC | GPA | Switching | TS | 176 | TS | GPA | AF Power Amp | 200 | TI | GNG | GPA | General Use | 201 | TI | GNG | GPA | General Use | 202 | TI | GNG | GPA | General Use | 206 | TI | GNG | GPA | AF Amplifier | 207 | TI | GNG | GPA | AF Amplifier | 208 | TI | GNG | GPA | AF Amplifier | GT | 210 | GTC | GPA | Switching | 210 | TI | GNG | GPA | AF Amplifier | 220 | TI | GNG | GPA | AF Amplifier | 221 | TI | GNG | GPA | IF Amplifier | GT | 222 | GTC | GPA | General Use | 222 | TI | GNG | GPA | IF Amplifier | 223 | TI | GNG | GPA | Converter | 224 | TI | GNG | GPA | Detector | 225 | TI | GNG | GPA | IF Amplifier | 227 | TI | GNG | GPA | IF Amplifier | 228 | TI | GNG | GPA | Detector | GT | 229 | GTC | GNA | AF Amplifier | 234 | TI | CNA | IF Amplifier | IF Amplifier | 235 | TI | GNA | GPA | Converter | GT | 269 | GTC | GPA | RF Amplifier | 301 | TI | GPA | AF Amplifier | AF Amplifier | 302 | TI | GPA | AF Amplifier | AF Amplifier | 310 | TI | GPA | AF Amplifier | AF Amplifier | 310 | TI | GPA | AF Amplifier | AF Amplifier | | | | | | | | | | | | | | | | | | | | | | | | | | | | | | | | | | | | | | | | | | | | | | | | | | | | | | | | | | | | | | | | | | | | | | | | | | | | | | | | | | | | | | | | | | | | | | | | | | | | | | | | | | | | | | | | | | | | | | | | | | | | | | | | | | | | | | | |
| 2N1330 | CBS | GPA | AF Amplifier | AF Amplifier | 2N1331 | CBS | GNA | AF Amplifier | AF Amplifier | 2N1332 | CBS | GPA | AF Amplifier | AF Amplifier | 2N1333 | CBS | GNA | AF Amplifier | AF Amplifier | 2N1334 | CBS | GPA | AF Amplifier | AF Amplifier | 2N1358 | DEL | GPA | General Use | General Use | 2N1395 | RCA | GPD | RF Amplifier | RF Amplifier | 2N1396 | RCA | GPD | RF Amplifier | RF Amplifier | 2N1397 | RCA | GPD | RF Amplifier | RF Amplifier | 2N1425 | RCA | GPD | IF Amplifier | IF Amplifier | 2N1426 | RCA | GPD | Converter | Converter | 2N1431 | SYL | GNA | AF Amplifier | AF Amplifier | 2N1432 | SYL | GPD | RF Amplifier | RF Amplifier | 2N1479 | RCA | SNJ | Power Switch | Power Switch | 2N1480 | RCA | SNJ | Power Switch | Power Switch | 2N1481 | RCA | SNJ | Power Switch | Power Switch | 2N1482 | RCA | SNJ | Power Switch | Power Switch | 2N1483 | RCA | SNJ | Power Switch | Power Switch | 2N1484 | RCA | SNJ | Power Switch | Power Switch | 2N1485 | RCA | SNJ | Power Switch | Power Switch | 2N1486 | RCA | SNJ | Power Switch | Power Switch | 2N1487 | RCA | SNJ | Power Switch | Power Switch | 2N1488 | RCA | SNJ | Power Switch | Power Switch | 2N1489 | RCA | SNJ | Power Switch | Power Switch | 2N1490 | RCA | SNJ | Power Switch | Power Switch | 3N22 | WHI | GNG | RF Amplifier | RF Amplifier | 3N23 | BOG | GNG | RF Amplifier | RF Amplifier | 3N23A | BOG | GNG | RF Amplifier | RF Amplifier | 3N23B | BOG | GNG | RF Amplifier | RF Amplifier | 3N23C | BOG | GNG | RF Amplifier | RF Amplifier | 3N25 | TI | GPJ | VHF Amp | VHF Amp | 3N26 | TI | SNG | RF Amplifier | RF Amplifier | 3N27 | TI | SNG | RF Amplifier | RF Amplifier | 3N29 | GE | GNA | RF Amplifier | RF Amplifier | 3N30 | GE | GNA | RF Amplifier | RF Amplifier | 3N31 | GE | GNA | RF Amplifier | RF Amplifier | 3N32 | TI | SNG | RF Amplifier | RF Amplifier | 3N33 | TI | SNG | RF Amplifier | RF Amplifier | 3N34 | TI | SNG | RF Amplifier | RF Amplifier | 3N35 | TI | SNG | RF Amplifier | RF Amplifier | 3N36 | GE | GNG | RF Amplifier | RF Amplifier | 3N37 | GE | GNG | RF Amplifier | RF Amplifier | 4JD1B2 | GE | GPA | Switching | Switching | 4JD1B3 | GE | GPA | Switching | Switching | 4JD1B4 | GE | GPA | Switching | Switching | 4JD4A2 | GE | GNG | IF Amplifier | IF Amplifier | 4JD4A3 | GE | GNG | Switching | Switching | 4JD4A4 | GE | GNG | IF Amplifier | IF Amplifier | 4JD4A5 | GE | GNG | RF Amplifier | RF Amplifier | 5A | SPR | GC | Switching | Switching | 5B | CTP | SD | Photo Use | Photo Use | 5C | CTP | SD | Photo Use | Photo Use | 8D | SPR | GPA | AF Amplifier | AF Amplifier | 8E | SPR | GPA | AF Amplifier | AF Amplifier | 8F | SPR | GPA | AF Amplifier | AF Amplifier | 10A | CTP | SD | Photo Use | Photo Use | 10A | SPR | GPA | AF Amplifier | AF Amplifier | 10B | CTP | SD | Photo Use | Photo Use | 10B | SPR | GPA | AF Amplifier | AF Amplifier | 10C | SPR | GPA | AF Amplifier | AF Amplifier | 11A | CTP | SO | Photo Use | Photo Use | 11B | CTP | SD | Photo Use | Photo Use | ZJ | 12 | GE | SNG | AF Amplifier | CK | 13 | RK | GPA | RF Amplifier | ZJ | 13 | GE | GNG | AF Amplifier | MN | 13A | MOT | GPA | AF Amplifier | MN | 13B | MOT | GPA | AF Amplifier | MN | 13C | MOT | GPA | AF Amplifier | ZJ | 13 | GE | GNG | AF Amplifier | CK | 14 | RK | GPA | RF Amplifier | GT | 14 | GTC | GPA | AF Amplifier | RR | 14 | RR | GPA | AF Amplifier | ZJ | 14 | GE | SD | Switching | ZJ | 14H | GTC | GPA | AF Amplifier | OC | 16 | AMP | GPA | AF Power Amp | ZJ | 16 | CK | RR | AF Power Amp | CK | 17 | RR | RR | AF Power Amp | MN | 19 | MOT | GPA | AF Amplifier | GT | 20 | GTC | GPA | AF Amplifier | RR | 20 | RR | GPA | AF Amplifier | GT | 20H | GTC | GPA | AF Amplifier | MN | 21 | MOT | GPA | AF Power Amp | RR | 21 | RR | GPA | AF Amplifier | GT | 24 | GTC | GPA | AF Amplifier | MN | 24 | MOT | GPA | AF Power Amp | MN | 25 | MOT | GPA | AF Power Amp | CK | 26 | RK | MOT | Switching | MN | 26 | MOT | GPA | AF Power Amp | MN | 28 | MOT | GPA | AF Power Amp | MN | 29 | MOT | GPA | AF Power Amp | GT | 34 | GTC | GPA | AF Amplifier | RR | 34 | RR | GPA | AF Amplifier | T | 34A | NU | GPA | AF Amplifier | T | 34B | NU | GPA | AF Amplifier | T | 34C | NU | GPA | AF Amplifier | T | 34D | NU | GPA | AF Amplifier | T | 34E | NU | GPA | AF Amplifier | T | 34F | NU | GPA | AF Amplifier | GT | 34HV | GTC | GPA | Switching | GT | 34S | GTC | GPA | Detector | GT | 38 | GTC | GPA | AF Amplifier | RR | 38 | RR | GPA | AF Amplifier | OC | 44 | AMP | GPA | RF Amplifier | OC | 45 | AMP | GPA | RF Amplifier | OC | 50 | AMP | GC | Oscillator | OC | 51 | AMP | GC | Switching | OC | 65 | AMP | GC | AF Amplifier | CT | 66 | GTC | GPA | Photo Use | OC | 66 | AMP | GPA | AF Amplifier | RR | 66 | RR | SD | AF Amplifier | OC | 70 | AMP | GPA | AF Amplifier | OC | 71 | AMP | GPA | RF Amplifier | OC | 72 | AMP | GMA | AF Amplifier | ZJ | 72 | GE | GNG | VHF Amplifier | OC | 73 | AMP | GPA | AF Amplifier | ZJ | 73 | GE | GNG | AF Amplifier | GT | 74 | GTC | GPA | AF Amplifier | GT | 75 | GTC | GPA | AF Amplifier | OC | 76 | AMP | GPA | Switching | GT | 81 | GTC | GPA | AF Amplifier | GT | 81H | GTC | GPA | AF Amplifier | GT | 81HS | GTC | GPA | AF Amplifier | GT | 82 | GTC | GPA | Switching | GT | 83 | GTC | GPA | Switching | GT | 87 | GTC | GPA | Switching | GT | 88 | GTC | GPA | Switching | DR | 100 | TS | GPA | AF Amplifier | DR | 101 | TS | GPA | AF Amplifier | DR | 102 | TS | GPA | AF Amplifier | GT | 109 | GTC | GPA | AF Amplifier | GT | 122 | GTC | GPA | Switching | GT | 123 | GTC | GPA | Switching | RR | 125 | RR | GPA | AF Amplifier | DR | 126 | TS | GPA | AF Amplifier | DR | 128 | TS | GPA | AF Amplifier | DR | 129 | TS | GPA | General Use | DR | 130 | TS | GPA | General Use | DR | 131 | TS | GPA | General Use | DR | 132 | TS | GPA | General Use | DR | 139 | TS | GPA | General Use | DR | 147 | TS | GPA | AF Power Amp | GT | 153 | GT | GPA | Switching | DR | 154 | TS | GPA | General Use | DR | 155 | TS | GPA | General Use | TS | 161 | TS | GMA | AF Amplifier | TS | 162 | TS | GMA | General Use | TS | 163 | TS | GPA | AF Amplifier | TS | 164 | TS | GPA | AF Amplifier | TS | 165 | TS | GPA | AF Amplifier | TS | 166 | TS | GPA | AF Amplifier | GT | 167 | GTC | GPA | Switching | TS | 176 | TS | GPA | AF Power Amp | 200 | TI | GNG | GPA | General Use | 201 | TI | GNG | GPA | General Use | 202 | TI | GNG | GPA | General Use | 206 | TI | GNG | GPA | AF Amplifier | 207 | TI | GNG | GPA | AF Amplifier | 208 | TI | GNG | GPA | AF Amplifier | GT | 210 | GTC | GPA | Switching | 210 | TI | GNG | GPA | AF Amplifier | 220 | TI | GNG | GPA | AF Amplifier | 221 | TI | GNG | GPA | IF Amplifier | GT | 222 | GTC | GPA | General Use | 222 | TI | GNG | GPA | IF Amplifier | 223 | TI | GNG | GPA | Converter | 224 | TI | GNG | GPA | Detector | 225 | TI | GNG | GPA | IF Amplifier | 227 | TI | GNG | GPA | IF Amplifier | 228 | TI | GNG | GPA | Detector | GT | 229 | GTC | GNA | AF Amplifier | 234 | TI | CNA | IF Amplifier | IF Amplifier | 235 | TI | GNA | GPA | Converter | GT | 269 | GTC | GPA | RF Amplifier | 301 | TI | GPA | AF Amplifier | AF Amplifier | 302 | TI | GPA | AF Amplifier | AF Amplifier | 310 | TI | GPA | AF Amplifier | AF Amplifier | 310 | TI | GPA | AF Amplifier | AF Amplifier | | | | | | | | | | | | | | | | | | | | | | | | | | | | | | | | | | | | | | | | | | | | | | | | | | | | | | | | | | | | | | | | | | | | | | | | | | | | | | | | | | | | | | | | | | | | | | | | | | | | | | | | | | | | | | | | | | | | | | | | | | | | | | | | | | | | | | | | | | | | |
| 2N1331 | CBS | GNA | AF Amplifier | AF Amplifier | 2N1332 | CBS | GPA | AF Amplifier | AF Amplifier | 2N1333 | CBS | GNA | AF Amplifier | AF Amplifier | 2N1334 | CBS | GPA | AF Amplifier | AF Amplifier | 2N1358 | DEL | GPA | General Use | General Use | 2N1395 | RCA | GPD | RF Amplifier | RF Amplifier | 2N1396 | RCA | GPD | RF Amplifier | RF Amplifier | 2N1397 | RCA | GPD | RF Amplifier | RF Amplifier | 2N1425 | RCA | GPD | IF Amplifier | IF Amplifier | 2N1426 | RCA | GPD | Converter | Converter | 2N1431 | SYL | GNA | AF Amplifier | AF Amplifier | 2N1432 | SYL | GPD | RF Amplifier | RF Amplifier | 2N1479 | RCA | SNJ | Power Switch | Power Switch | 2N1480 | RCA | SNJ | Power Switch | Power Switch | 2N1481 | RCA | SNJ | Power Switch | Power Switch | 2N1482 | RCA | SNJ | Power Switch | Power Switch | 2N1483 | RCA | SNJ | Power Switch | Power Switch | 2N1484 | RCA | SNJ | Power Switch | Power Switch | 2N1485 | RCA | SNJ | Power Switch | Power Switch | 2N1486 | RCA | SNJ | Power Switch | Power Switch | 2N1487 | RCA | SNJ | Power Switch | Power Switch | 2N1488 | RCA | SNJ | Power Switch | Power Switch | 2N1489 | RCA | SNJ | Power Switch | Power Switch | 2N1490 | RCA | SNJ | Power Switch | Power Switch | 3N22 | WHI | GNG | RF Amplifier | RF Amplifier | 3N23 | BOG | GNG | RF Amplifier | RF Amplifier | 3N23A | BOG | GNG | RF Amplifier | RF Amplifier | 3N23B | BOG | GNG | RF Amplifier | RF Amplifier | 3N23C | BOG | GNG | RF Amplifier | RF Amplifier | 3N25 | TI | GPJ | VHF Amp | VHF Amp | 3N26 | TI | SNG | RF Amplifier | RF Amplifier | 3N27 | TI | SNG | RF Amplifier | RF Amplifier | 3N29 | GE | GNA | RF Amplifier | RF Amplifier | 3N30 | GE | GNA | RF Amplifier | RF Amplifier | 3N31 | GE | GNA | RF Amplifier | RF Amplifier | 3N32 | TI | SNG | RF Amplifier | RF Amplifier | 3N33 | TI | SNG | RF Amplifier | RF Amplifier | 3N34 | TI | SNG | RF Amplifier | RF Amplifier | 3N35 | TI | SNG | RF Amplifier | RF Amplifier | 3N36 | GE | GNG | RF Amplifier | RF Amplifier | 3N37 | GE | GNG | RF Amplifier | RF Amplifier | 4JD1B2 | GE | GPA | Switching | Switching | 4JD1B3 | GE | GPA | Switching | Switching | 4JD1B4 | GE | GPA | Switching | Switching | 4JD4A2 | GE | GNG | IF Amplifier | IF Amplifier | 4JD4A3 | GE | GNG | Switching | Switching | 4JD4A4 | GE | GNG | IF Amplifier | IF Amplifier | 4JD4A5 | GE | GNG | RF Amplifier | RF Amplifier | 5A | SPR | GC | Switching | Switching | 5B | CTP | SD | Photo Use | Photo Use | 5C | CTP | SD | Photo Use | Photo Use | 8D | SPR | GPA | AF Amplifier | AF Amplifier | 8E | SPR | GPA | AF Amplifier | AF Amplifier | 8F | SPR | GPA | AF Amplifier | AF Amplifier | 10A | CTP | SD | Photo Use | Photo Use | 10A | SPR | GPA | AF Amplifier | AF Amplifier | 10B | CTP | SD | Photo Use | Photo Use | 10B | SPR | GPA | AF Amplifier | AF Amplifier | 10C | SPR | GPA | AF Amplifier | AF Amplifier | 11A | CTP | SO | Photo Use | Photo Use | 11B | CTP | SD | Photo Use | Photo Use | ZJ | 12 | GE | SNG | AF Amplifier | CK | 13 | RK | GPA | RF Amplifier | ZJ | 13 | GE | GNG | AF Amplifier | MN | 13A | MOT | GPA | AF Amplifier | MN | 13B | MOT | GPA | AF Amplifier | MN | 13C | MOT | GPA | AF Amplifier | ZJ | 13 | GE | GNG | AF Amplifier | CK | 14 | RK | GPA | RF Amplifier | GT | 14 | GTC | GPA | AF Amplifier | RR | 14 | RR | GPA | AF Amplifier | ZJ | 14 | GE | SD | Switching | ZJ | 14H | GTC | GPA | AF Amplifier | OC | 16 | AMP | GPA | AF Power Amp | ZJ | 16 | CK | RR | AF Power Amp | CK | 17 | RR | RR | AF Power Amp | MN | 19 | MOT | GPA | AF Amplifier | GT | 20 | GTC | GPA | AF Amplifier | RR | 20 | RR | GPA | AF Amplifier | GT | 20H | GTC | GPA | AF Amplifier | MN | 21 | MOT | GPA | AF Power Amp | RR | 21 | RR | GPA | AF Amplifier | GT | 24 | GTC | GPA | AF Amplifier | MN | 24 | MOT | GPA | AF Power Amp | MN | 25 | MOT | GPA | AF Power Amp | CK | 26 | RK | MOT | Switching | MN | 26 | MOT | GPA | AF Power Amp | MN | 28 | MOT | GPA | AF Power Amp | MN | 29 | MOT | GPA | AF Power Amp | GT | 34 | GTC | GPA | AF Amplifier | RR | 34 | RR | GPA | AF Amplifier | T | 34A | NU | GPA | AF Amplifier | T | 34B | NU | GPA | AF Amplifier | T | 34C | NU | GPA | AF Amplifier | T | 34D | NU | GPA | AF Amplifier | T | 34E | NU | GPA | AF Amplifier | T | 34F | NU | GPA | AF Amplifier | GT | 34HV | GTC | GPA | Switching | GT | 34S | GTC | GPA | Detector | GT | 38 | GTC | GPA | AF Amplifier | RR | 38 | RR | GPA | AF Amplifier | OC | 44 | AMP | GPA | RF Amplifier | OC | 45 | AMP | GPA | RF Amplifier | OC | 50 | AMP | GC | Oscillator | OC | 51 | AMP | GC | Switching | OC | 65 | AMP | GC | AF Amplifier | CT | 66 | GTC | GPA | Photo Use | OC | 66 | AMP | GPA | AF Amplifier | RR | 66 | RR | SD | AF Amplifier | OC | 70 | AMP | GPA | AF Amplifier | OC | 71 | AMP | GPA | RF Amplifier | OC | 72 | AMP | GMA | AF Amplifier | ZJ | 72 | GE | GNG | VHF Amplifier | OC | 73 | AMP | GPA | AF Amplifier | ZJ | 73 | GE | GNG | AF Amplifier | GT | 74 | GTC | GPA | AF Amplifier | GT | 75 | GTC | GPA | AF Amplifier | OC | 76 | AMP | GPA | Switching | GT | 81 | GTC | GPA | AF Amplifier | GT | 81H | GTC | GPA | AF Amplifier | GT | 81HS | GTC | GPA | AF Amplifier | GT | 82 | GTC | GPA | Switching | GT | 83 | GTC | GPA | Switching | GT | 87 | GTC | GPA | Switching | GT | 88 | GTC | GPA | Switching | DR | 100 | TS | GPA | AF Amplifier | DR | 101 | TS | GPA | AF Amplifier | DR | 102 | TS | GPA | AF Amplifier | GT | 109 | GTC | GPA | AF Amplifier | GT | 122 | GTC | GPA | Switching | GT | 123 | GTC | GPA | Switching | RR | 125 | RR | GPA | AF Amplifier | DR | 126 | TS | GPA | AF Amplifier | DR | 128 | TS | GPA | AF Amplifier | DR | 129 | TS | GPA | General Use | DR | 130 | TS | GPA | General Use | DR | 131 | TS | GPA | General Use | DR | 132 | TS | GPA | General Use | DR | 139 | TS | GPA | General Use | DR | 147 | TS | GPA | AF Power Amp | GT | 153 | GT | GPA | Switching | DR | 154 | TS | GPA | General Use | DR | 155 | TS | GPA | General Use | TS | 161 | TS | GMA | AF Amplifier | TS | 162 | TS | GMA | General Use | TS | 163 | TS | GPA | AF Amplifier | TS | 164 | TS | GPA | AF Amplifier | TS | 165 | TS | GPA | AF Amplifier | TS | 166 | TS | GPA | AF Amplifier | GT | 167 | GTC | GPA | Switching | TS | 176 | TS | GPA | AF Power Amp | 200 | TI | GNG | GPA | General Use | 201 | TI | GNG | GPA | General Use | 202 | TI | GNG | GPA | General Use | 206 | TI | GNG | GPA | AF Amplifier | 207 | TI | GNG | GPA | AF Amplifier | 208 | TI | GNG | GPA | AF Amplifier | GT | 210 | GTC | GPA | Switching | 210 | TI | GNG | GPA | AF Amplifier | 220 | TI | GNG | GPA | AF Amplifier | 221 | TI | GNG | GPA | IF Amplifier | GT | 222 | GTC | GPA | General Use | 222 | TI | GNG | GPA | IF Amplifier | 223 | TI | GNG | GPA | Converter | 224 | TI | GNG | GPA | Detector | 225 | TI | GNG | GPA | IF Amplifier | 227 | TI | GNG | GPA | IF Amplifier | 228 | TI | GNG | GPA | Detector | GT | 229 | GTC | GNA | AF Amplifier | 234 | TI | CNA | IF Amplifier | IF Amplifier | 235 | TI | GNA | GPA | Converter | GT | 269 | GTC | GPA | RF Amplifier | 301 | TI | GPA | AF Amplifier | AF Amplifier | 302 | TI | GPA | AF Amplifier | AF Amplifier | 310 | TI | GPA | AF Amplifier | AF Amplifier | 310 | TI | GPA | AF Amplifier | AF Amplifier | | | | | | | | | | | | | | | | | | | | | | | | | | | | | | | | | | | | | | | | | | | | | | | | | | | | | | | | | | | | | | | | | | | | | | | | | | | | | | | | | | | | | | | | | | | | | | | | | | | | | | | | | | | | | | | | | | | | | | | | | | | | | | | | | | | | | | | | | | | | | | | | | |
| 2N1332 | CBS | GPA | AF Amplifier | AF Amplifier | 2N1333 | CBS | GNA | AF Amplifier | AF Amplifier | 2N1334 | CBS | GPA | AF Amplifier | AF Amplifier | 2N1358 | DEL | GPA | General Use | General Use | 2N1395 | RCA | GPD | RF Amplifier | RF Amplifier | 2N1396 | RCA | GPD | RF Amplifier | RF Amplifier | 2N1397 | RCA | GPD | RF Amplifier | RF Amplifier | 2N1425 | RCA | GPD | IF Amplifier | IF Amplifier | 2N1426 | RCA | GPD | Converter | Converter | 2N1431 | SYL | GNA | AF Amplifier | AF Amplifier | 2N1432 | SYL | GPD | RF Amplifier | RF Amplifier | 2N1479 | RCA | SNJ | Power Switch | Power Switch | 2N1480 | RCA | SNJ | Power Switch | Power Switch | 2N1481 | RCA | SNJ | Power Switch | Power Switch | 2N1482 | RCA | SNJ | Power Switch | Power Switch | 2N1483 | RCA | SNJ | Power Switch | Power Switch | 2N1484 | RCA | SNJ | Power Switch | Power Switch | 2N1485 | RCA | SNJ | Power Switch | Power Switch | 2N1486 | RCA | SNJ | Power Switch | Power Switch | 2N1487 | RCA | SNJ | Power Switch | Power Switch | 2N1488 | RCA | SNJ | Power Switch | Power Switch | 2N1489 | RCA | SNJ | Power Switch | Power Switch | 2N1490 | RCA | SNJ | Power Switch | Power Switch | 3N22 | WHI | GNG | RF Amplifier | RF Amplifier | 3N23 | BOG | GNG | RF Amplifier | RF Amplifier | 3N23A | BOG | GNG | RF Amplifier | RF Amplifier | 3N23B | BOG | GNG | RF Amplifier | RF Amplifier | 3N23C | BOG | GNG | RF Amplifier | RF Amplifier | 3N25 | TI | GPJ | VHF Amp | VHF Amp | 3N26 | TI | SNG | RF Amplifier | RF Amplifier | 3N27 | TI | SNG | RF Amplifier | RF Amplifier | 3N29 | GE | GNA | RF Amplifier | RF Amplifier | 3N30 | GE | GNA | RF Amplifier | RF Amplifier | 3N31 | GE | GNA | RF Amplifier | RF Amplifier | 3N32 | TI | SNG | RF Amplifier | RF Amplifier | 3N33 | TI | SNG | RF Amplifier | RF Amplifier | 3N34 | TI | SNG | RF Amplifier | RF Amplifier | 3N35 | TI | SNG | RF Amplifier | RF Amplifier | 3N36 | GE | GNG | RF Amplifier | RF Amplifier | 3N37 | GE | GNG | RF Amplifier | RF Amplifier | 4JD1B2 | GE | GPA | Switching | Switching | 4JD1B3 | GE | GPA | Switching | Switching | 4JD1B4 | GE | GPA | Switching | Switching | 4JD4A2 | GE | GNG | IF Amplifier | IF Amplifier | 4JD4A3 | GE | GNG | Switching | Switching | 4JD4A4 | GE | GNG | IF Amplifier | IF Amplifier | 4JD4A5 | GE | GNG | RF Amplifier | RF Amplifier | 5A | SPR | GC | Switching | Switching | 5B | CTP | SD | Photo Use | Photo Use | 5C | CTP | SD | Photo Use | Photo Use | 8D | SPR | GPA | AF Amplifier | AF Amplifier | 8E | SPR | GPA | AF Amplifier | AF Amplifier | 8F | SPR | GPA | AF Amplifier | AF Amplifier | 10A | CTP | SD | Photo Use | Photo Use | 10A | SPR | GPA | AF Amplifier | AF Amplifier | 10B | CTP | SD | Photo Use | Photo Use | 10B | SPR | GPA | AF Amplifier | AF Amplifier | 10C | SPR | GPA | AF Amplifier | AF Amplifier | 11A | CTP | SO | Photo Use | Photo Use | 11B | CTP | SD | Photo Use | Photo Use | ZJ | 12 | GE | SNG | AF Amplifier | CK | 13 | RK | GPA | RF Amplifier | ZJ | 13 | GE | GNG | AF Amplifier | MN | 13A | MOT | GPA | AF Amplifier | MN | 13B | MOT | GPA | AF Amplifier | MN | 13C | MOT | GPA | AF Amplifier | ZJ | 13 | GE | GNG | AF Amplifier | CK | 14 | RK | GPA | RF Amplifier | GT | 14 | GTC | GPA | AF Amplifier | RR | 14 | RR | GPA | AF Amplifier | ZJ | 14 | GE | SD | Switching | ZJ | 14H | GTC | GPA | AF Amplifier | OC | 16 | AMP | GPA | AF Power Amp | ZJ | 16 | CK | RR | AF Power Amp | CK | 17 | RR | RR | AF Power Amp | MN | 19 | MOT | GPA | AF Amplifier | GT | 20 | GTC | GPA | AF Amplifier | RR | 20 | RR | GPA | AF Amplifier | GT | 20H | GTC | GPA | AF Amplifier | MN | 21 | MOT | GPA | AF Power Amp | RR | 21 | RR | GPA | AF Amplifier | GT | 24 | GTC | GPA | AF Amplifier | MN | 24 | MOT | GPA | AF Power Amp | MN | 25 | MOT | GPA | AF Power Amp | CK | 26 | RK | MOT | Switching | MN | 26 | MOT | GPA | AF Power Amp | MN | 28 | MOT | GPA | AF Power Amp | MN | 29 | MOT | GPA | AF Power Amp | GT | 34 | GTC | GPA | AF Amplifier | RR | 34 | RR | GPA | AF Amplifier | T | 34A | NU | GPA | AF Amplifier | T | 34B | NU | GPA | AF Amplifier | T | 34C | NU | GPA | AF Amplifier | T | 34D | NU | GPA | AF Amplifier | T | 34E | NU | GPA | AF Amplifier | T | 34F | NU | GPA | AF Amplifier | GT | 34HV | GTC | GPA | Switching | GT | 34S | GTC | GPA | Detector | GT | 38 | GTC | GPA | AF Amplifier | RR | 38 | RR | GPA | AF Amplifier | OC | 44 | AMP | GPA | RF Amplifier | OC | 45 | AMP | GPA | RF Amplifier | OC | 50 | AMP | GC | Oscillator | OC | 51 | AMP | GC | Switching | OC | 65 | AMP | GC | AF Amplifier | CT | 66 | GTC | GPA | Photo Use | OC | 66 | AMP | GPA | AF Amplifier | RR | 66 | RR | SD | AF Amplifier | OC | 70 | AMP | GPA | AF Amplifier | OC | 71 | AMP | GPA | RF Amplifier | OC | 72 | AMP | GMA | AF Amplifier | ZJ | 72 | GE | GNG | VHF Amplifier | OC | 73 | AMP | GPA | AF Amplifier | ZJ | 73 | GE | GNG | AF Amplifier | GT | 74 | GTC | GPA | AF Amplifier | GT | 75 | GTC | GPA | AF Amplifier | OC | 76 | AMP | GPA | Switching | GT | 81 | GTC | GPA | AF Amplifier | GT | 81H | GTC | GPA | AF Amplifier | GT | 81HS | GTC | GPA | AF Amplifier | GT | 82 | GTC | GPA | Switching | GT | 83 | GTC | GPA | Switching | GT | 87 | GTC | GPA | Switching | GT | 88 | GTC | GPA | Switching | DR | 100 | TS | GPA | AF Amplifier | DR | 101 | TS | GPA | AF Amplifier | DR | 102 | TS | GPA | AF Amplifier | GT | 109 | GTC | GPA | AF Amplifier | GT | 122 | GTC | GPA | Switching | GT | 123 | GTC | GPA | Switching | RR | 125 | RR | GPA | AF Amplifier | DR | 126 | TS | GPA | AF Amplifier | DR | 128 | TS | GPA | AF Amplifier | DR | 129 | TS | GPA | General Use | DR | 130 | TS | GPA | General Use | DR | 131 | TS | GPA | General Use | DR | 132 | TS | GPA | General Use | DR | 139 | TS | GPA | General Use | DR | 147 | TS | GPA | AF Power Amp | GT | 153 | GT | GPA | Switching | DR | 154 | TS | GPA | General Use | DR | 155 | TS | GPA | General Use | TS | 161 | TS | GMA | AF Amplifier | TS | 162 | TS | GMA | General Use | TS | 163 | TS | GPA | AF Amplifier | TS | 164 | TS | GPA | AF Amplifier | TS | 165 | TS | GPA | AF Amplifier | TS | 166 | TS | GPA | AF Amplifier | GT | 167 | GTC | GPA | Switching | TS | 176 | TS | GPA | AF Power Amp | 200 | TI | GNG | GPA | General Use | 201 | TI | GNG | GPA | General Use | 202 | TI | GNG | GPA | General Use | 206 | TI | GNG | GPA | AF Amplifier | 207 | TI | GNG | GPA | AF Amplifier | 208 | TI | GNG | GPA | AF Amplifier | GT | 210 | GTC | GPA | Switching | 210 | TI | GNG | GPA | AF Amplifier | 220 | TI | GNG | GPA | AF Amplifier | 221 | TI | GNG | GPA | IF Amplifier | GT | 222 | GTC | GPA | General Use | 222 | TI | GNG | GPA | IF Amplifier | 223 | TI | GNG | GPA | Converter | 224 | TI | GNG | GPA | Detector | 225 | TI | GNG | GPA | IF Amplifier | 227 | TI | GNG | GPA | IF Amplifier | 228 | TI | GNG | GPA | Detector | GT | 229 | GTC | GNA | AF Amplifier | 234 | TI | CNA | IF Amplifier | IF Amplifier | 235 | TI | GNA | GPA | Converter | GT | 269 | GTC | GPA | RF Amplifier | 301 | TI | GPA | AF Amplifier | AF Amplifier | 302 | TI | GPA | AF Amplifier | AF Amplifier | 310 | TI | GPA | AF Amplifier | AF Amplifier | 310 | TI | GPA | AF Amplifier | AF Amplifier | | | | | | | | | | | | | | | | | | | | | | | | | | | | | | | | | | | | | | | | | | | | | | | | | | | | | | | | | | | | | | | | | | | | | | | | | | | | | | | | | | | | | | | | | | | | | | | | | | | | | | | | | | | | | | | | | | | | | | | | | | | | | | | | | | | | | | | | | | | | | | | | | | | | | | |
| 2N1333 | CBS | GNA | AF Amplifier | AF Amplifier | 2N1334 | CBS | GPA | AF Amplifier | AF Amplifier | 2N1358 | DEL | GPA | General Use | General Use | 2N1395 | RCA | GPD | RF Amplifier | RF Amplifier | 2N1396 | RCA | GPD | RF Amplifier | RF Amplifier | 2N1397 | RCA | GPD | RF Amplifier | RF Amplifier | 2N1425 | RCA | GPD | IF Amplifier | IF Amplifier | 2N1426 | RCA | GPD | Converter | Converter | 2N1431 | SYL | GNA | AF Amplifier | AF Amplifier | 2N1432 | SYL | GPD | RF Amplifier | RF Amplifier | 2N1479 | RCA | SNJ | Power Switch | Power Switch | 2N1480 | RCA | SNJ | Power Switch | Power Switch | 2N1481 | RCA | SNJ | Power Switch | Power Switch | 2N1482 | RCA | SNJ | Power Switch | Power Switch | 2N1483 | RCA | SNJ | Power Switch | Power Switch | 2N1484 | RCA | SNJ | Power Switch | Power Switch | 2N1485 | RCA | SNJ | Power Switch | Power Switch | 2N1486 | RCA | SNJ | Power Switch | Power Switch | 2N1487 | RCA | SNJ | Power Switch | Power Switch | 2N1488 | RCA | SNJ | Power Switch | Power Switch | 2N1489 | RCA | SNJ | Power Switch | Power Switch | 2N1490 | RCA | SNJ | Power Switch | Power Switch | 3N22 | WHI | GNG | RF Amplifier | RF Amplifier | 3N23 | BOG | GNG | RF Amplifier | RF Amplifier | 3N23A | BOG | GNG | RF Amplifier | RF Amplifier | 3N23B | BOG | GNG | RF Amplifier | RF Amplifier | 3N23C | BOG | GNG | RF Amplifier | RF Amplifier | 3N25 | TI | GPJ | VHF Amp | VHF Amp | 3N26 | TI | SNG | RF Amplifier | RF Amplifier | 3N27 | TI | SNG | RF Amplifier | RF Amplifier | 3N29 | GE | GNA | RF Amplifier | RF Amplifier | 3N30 | GE | GNA | RF Amplifier | RF Amplifier | 3N31 | GE | GNA | RF Amplifier | RF Amplifier | 3N32 | TI | SNG | RF Amplifier | RF Amplifier | 3N33 | TI | SNG | RF Amplifier | RF Amplifier | 3N34 | TI | SNG | RF Amplifier | RF Amplifier | 3N35 | TI | SNG | RF Amplifier | RF Amplifier | 3N36 | GE | GNG | RF Amplifier | RF Amplifier | 3N37 | GE | GNG | RF Amplifier | RF Amplifier | 4JD1B2 | GE | GPA | Switching | Switching | 4JD1B3 | GE | GPA | Switching | Switching | 4JD1B4 | GE | GPA | Switching | Switching | 4JD4A2 | GE | GNG | IF Amplifier | IF Amplifier | 4JD4A3 | GE | GNG | Switching | Switching | 4JD4A4 | GE | GNG | IF Amplifier | IF Amplifier | 4JD4A5 | GE | GNG | RF Amplifier | RF Amplifier | 5A | SPR | GC | Switching | Switching | 5B | CTP | SD | Photo Use | Photo Use | 5C | CTP | SD | Photo Use | Photo Use | 8D | SPR | GPA | AF Amplifier | AF Amplifier | 8E | SPR | GPA | AF Amplifier | AF Amplifier | 8F | SPR | GPA | AF Amplifier | AF Amplifier | 10A | CTP | SD | Photo Use | Photo Use | 10A | SPR | GPA | AF Amplifier | AF Amplifier | 10B | CTP | SD | Photo Use | Photo Use | 10B | SPR | GPA | AF Amplifier | AF Amplifier | 10C | SPR | GPA | AF Amplifier | AF Amplifier | 11A | CTP | SO | Photo Use | Photo Use | 11B | CTP | SD | Photo Use | Photo Use | ZJ | 12 | GE | SNG | AF Amplifier | CK | 13 | RK | GPA | RF Amplifier | ZJ | 13 | GE | GNG | AF Amplifier | MN | 13A | MOT | GPA | AF Amplifier | MN | 13B | MOT | GPA | AF Amplifier | MN | 13C | MOT | GPA | AF Amplifier | ZJ | 13 | GE | GNG | AF Amplifier | CK | 14 | RK | GPA | RF Amplifier | GT | 14 | GTC | GPA | AF Amplifier | RR | 14 | RR | GPA | AF Amplifier | ZJ | 14 | GE | SD | Switching | ZJ | 14H | GTC | GPA | AF Amplifier | OC | 16 | AMP | GPA | AF Power Amp | ZJ | 16 | CK | RR | AF Power Amp | CK | 17 | RR | RR | AF Power Amp | MN | 19 | MOT | GPA | AF Amplifier | GT | 20 | GTC | GPA | AF Amplifier | RR | 20 | RR | GPA | AF Amplifier | GT | 20H | GTC | GPA | AF Amplifier | MN | 21 | MOT | GPA | AF Power Amp | RR | 21 | RR | GPA | AF Amplifier | GT | 24 | GTC | GPA | AF Amplifier | MN | 24 | MOT | GPA | AF Power Amp | MN | 25 | MOT | GPA | AF Power Amp | CK | 26 | RK | MOT | Switching | MN | 26 | MOT | GPA | AF Power Amp | MN | 28 | MOT | GPA | AF Power Amp | MN | 29 | MOT | GPA | AF Power Amp | GT | 34 | GTC | GPA | AF Amplifier | RR | 34 | RR | GPA | AF Amplifier | T | 34A | NU | GPA | AF Amplifier | T | 34B | NU | GPA | AF Amplifier | T | 34C | NU | GPA | AF Amplifier | T | 34D | NU | GPA | AF Amplifier | T | 34E | NU | GPA | AF Amplifier | T | 34F | NU | GPA | AF Amplifier | GT | 34HV | GTC | GPA | Switching | GT | 34S | GTC | GPA | Detector | GT | 38 | GTC | GPA | AF Amplifier | RR | 38 | RR | GPA | AF Amplifier | OC | 44 | AMP | GPA | RF Amplifier | OC | 45 | AMP | GPA | RF Amplifier | OC | 50 | AMP | GC | Oscillator | OC | 51 | AMP | GC | Switching | OC | 65 | AMP | GC | AF Amplifier | CT | 66 | GTC | GPA | Photo Use | OC | 66 | AMP | GPA | AF Amplifier | RR | 66 | RR | SD | AF Amplifier | OC | 70 | AMP | GPA | AF Amplifier | OC | 71 | AMP | GPA | RF Amplifier | OC | 72 | AMP | GMA | AF Amplifier | ZJ | 72 | GE | GNG | VHF Amplifier | OC | 73 | AMP | GPA | AF Amplifier | ZJ | 73 | GE | GNG | AF Amplifier | GT | 74 | GTC | GPA | AF Amplifier | GT | 75 | GTC | GPA | AF Amplifier | OC | 76 | AMP | GPA | Switching | GT | 81 | GTC | GPA | AF Amplifier | GT | 81H | GTC | GPA | AF Amplifier | GT | 81HS | GTC | GPA | AF Amplifier | GT | 82 | GTC | GPA | Switching | GT | 83 | GTC | GPA | Switching | GT | 87 | GTC | GPA | Switching | GT | 88 | GTC | GPA | Switching | DR | 100 | TS | GPA | AF Amplifier | DR | 101 | TS | GPA | AF Amplifier | DR | 102 | TS | GPA | AF Amplifier | GT | 109 | GTC | GPA | AF Amplifier | GT | 122 | GTC | GPA | Switching | GT | 123 | GTC | GPA | Switching | RR | 125 | RR | GPA | AF Amplifier | DR | 126 | TS | GPA | AF Amplifier | DR | 128 | TS | GPA | AF Amplifier | DR | 129 | TS | GPA | General Use | DR | 130 | TS | GPA | General Use | DR | 131 | TS | GPA | General Use | DR | 132 | TS | GPA | General Use | DR | 139 | TS | GPA | General Use | DR | 147 | TS | GPA | AF Power Amp | GT | 153 | GT | GPA | Switching | DR | 154 | TS | GPA | General Use | DR | 155 | TS | GPA | General Use | TS | 161 | TS | GMA | AF Amplifier | TS | 162 | TS | GMA | General Use | TS | 163 | TS | GPA | AF Amplifier | TS | 164 | TS | GPA | AF Amplifier | TS | 165 | TS | GPA | AF Amplifier | TS | 166 | TS | GPA | AF Amplifier | GT | 167 | GTC | GPA | Switching | TS | 176 | TS | GPA | AF Power Amp | 200 | TI | GNG | GPA | General Use | 201 | TI | GNG | GPA | General Use | 202 | TI | GNG | GPA | General Use | 206 | TI | GNG | GPA | AF Amplifier | 207 | TI | GNG | GPA | AF Amplifier | 208 | TI | GNG | GPA | AF Amplifier | GT | 210 | GTC | GPA | Switching | 210 | TI | GNG | GPA | AF Amplifier | 220 | TI | GNG | GPA | AF Amplifier | 221 | TI | GNG | GPA | IF Amplifier | GT | 222 | GTC | GPA | General Use | 222 | TI | GNG | GPA | IF Amplifier | 223 | TI | GNG | GPA | Converter | 224 | TI | GNG | GPA | Detector | 225 | TI | GNG | GPA | IF Amplifier | 227 | TI | GNG | GPA | IF Amplifier | 228 | TI | GNG | GPA | Detector | GT | 229 | GTC | GNA | AF Amplifier | 234 | TI | CNA | IF Amplifier | IF Amplifier | 235 | TI | GNA | GPA | Converter | GT | 269 | GTC | GPA | RF Amplifier | 301 | TI | GPA | AF Amplifier | AF Amplifier | 302 | TI | GPA | AF Amplifier | AF Amplifier | 310 | TI | GPA | AF Amplifier | AF Amplifier | 310 | TI | GPA | AF Amplifier | AF Amplifier | | | | | | | | | | | | | | | | | | | | | | | | | | | | | | | | | | | | | | | | | | | | | | | | | | | | | | | | | | | | | | | | | | | | | | | | | | | | | | | | | | | | | | | | | | | | | | | | | | | | | | | | | | | | | | | | | | | | | | | | | | | | | | | | | | | | | | | | | | | | | | | | | | | | | | | | | | | |
| 2N1334 | CBS | GPA | AF Amplifier | AF Amplifier | 2N1358 | DEL | GPA | General Use | General Use | 2N1395 | RCA | GPD | RF Amplifier | RF Amplifier | 2N1396 | RCA | GPD | RF Amplifier | RF Amplifier | 2N1397 | RCA | GPD | RF Amplifier | RF Amplifier | 2N1425 | RCA | GPD | IF Amplifier | IF Amplifier | 2N1426 | RCA | GPD | Converter | Converter | 2N1431 | SYL | GNA | AF Amplifier | AF Amplifier | 2N1432 | SYL | GPD | RF Amplifier | RF Amplifier | 2N1479 | RCA | SNJ | Power Switch | Power Switch | 2N1480 | RCA | SNJ | Power Switch | Power Switch | 2N1481 | RCA | SNJ | Power Switch | Power Switch | 2N1482 | RCA | SNJ | Power Switch | Power Switch | 2N1483 | RCA | SNJ | Power Switch | Power Switch | 2N1484 | RCA | SNJ | Power Switch | Power Switch | 2N1485 | RCA | SNJ | Power Switch | Power Switch | 2N1486 | RCA | SNJ | Power Switch | Power Switch | 2N1487 | RCA | SNJ | Power Switch | Power Switch | 2N1488 | RCA | SNJ | Power Switch | Power Switch | 2N1489 | RCA | SNJ | Power Switch | Power Switch | 2N1490 | RCA | SNJ | Power Switch | Power Switch | 3N22 | WHI | GNG | RF Amplifier | RF Amplifier | 3N23 | BOG | GNG | RF Amplifier | RF Amplifier | 3N23A | BOG | GNG | RF Amplifier | RF Amplifier | 3N23B | BOG | GNG | RF Amplifier | RF Amplifier | 3N23C | BOG | GNG | RF Amplifier | RF Amplifier | 3N25 | TI | GPJ | VHF Amp | VHF Amp | 3N26 | TI | SNG | RF Amplifier | RF Amplifier | 3N27 | TI | SNG | RF Amplifier | RF Amplifier | 3N29 | GE | GNA | RF Amplifier | RF Amplifier | 3N30 | GE | GNA | RF Amplifier | RF Amplifier | 3N31 | GE | GNA | RF Amplifier | RF Amplifier | 3N32 | TI | SNG | RF Amplifier | RF Amplifier | 3N33 | TI | SNG | RF Amplifier | RF Amplifier | 3N34 | TI | SNG | RF Amplifier | RF Amplifier | 3N35 | TI | SNG | RF Amplifier | RF Amplifier | 3N36 | GE | GNG | RF Amplifier | RF Amplifier | 3N37 | GE | GNG | RF Amplifier | RF Amplifier | 4JD1B2 | GE | GPA | Switching | Switching | 4JD1B3 | GE | GPA | Switching | Switching | 4JD1B4 | GE | GPA | Switching | Switching | 4JD4A2 | GE | GNG | IF Amplifier | IF Amplifier | 4JD4A3 | GE | GNG | Switching | Switching | 4JD4A4 | GE | GNG | IF Amplifier | IF Amplifier | 4JD4A5 | GE | GNG | RF Amplifier | RF Amplifier | 5A | SPR | GC | Switching | Switching | 5B | CTP | SD | Photo Use | Photo Use | 5C | CTP | SD | Photo Use | Photo Use | 8D | SPR | GPA | AF Amplifier | AF Amplifier | 8E | SPR | GPA | AF Amplifier | AF Amplifier | 8F | SPR | GPA | AF Amplifier | AF Amplifier | 10A | CTP | SD | Photo Use | Photo Use | 10A | SPR | GPA | AF Amplifier | AF Amplifier | 10B | CTP | SD | Photo Use | Photo Use | 10B | SPR | GPA | AF Amplifier | AF Amplifier | 10C | SPR | GPA | AF Amplifier | AF Amplifier | 11A | CTP | SO | Photo Use | Photo Use | 11B | CTP | SD | Photo Use | Photo Use | ZJ | 12 | GE | SNG | AF Amplifier | CK | 13 | RK | GPA | RF Amplifier | ZJ | 13 | GE | GNG | AF Amplifier | MN | 13A | MOT | GPA | AF Amplifier | MN | 13B | MOT | GPA | AF Amplifier | MN | 13C | MOT | GPA | AF Amplifier | ZJ | 13 | GE | GNG | AF Amplifier | CK | 14 | RK | GPA | RF Amplifier | GT | 14 | GTC | GPA | AF Amplifier | RR | 14 | RR | GPA | AF Amplifier | ZJ | 14 | GE | SD | Switching | ZJ | 14H | GTC | GPA | AF Amplifier | OC | 16 | AMP | GPA | AF Power Amp | ZJ | 16 | CK | RR | AF Power Amp | CK | 17 | RR | RR | AF Power Amp | MN | 19 | MOT | GPA | AF Amplifier | GT | 20 | GTC | GPA | AF Amplifier | RR | 20 | RR | GPA | AF Amplifier | GT | 20H | GTC | GPA | AF Amplifier | MN | 21 | MOT | GPA | AF Power Amp | RR | 21 | RR | GPA | AF Amplifier | GT | 24 | GTC | GPA | AF Amplifier | MN | 24 | MOT | GPA | AF Power Amp | MN | 25 | MOT | GPA | AF Power Amp | CK | 26 | RK | MOT | Switching | MN | 26 | MOT | GPA | AF Power Amp | MN | 28 | MOT | GPA | AF Power Amp | MN | 29 | MOT | GPA | AF Power Amp | GT | 34 | GTC | GPA | AF Amplifier | RR | 34 | RR | GPA | AF Amplifier | T | 34A | NU | GPA | AF Amplifier | T | 34B | NU | GPA | AF Amplifier | T | 34C | NU | GPA | AF Amplifier | T | 34D | NU | GPA | AF Amplifier | T | 34E | NU | GPA | AF Amplifier | T | 34F | NU | GPA | AF Amplifier | GT | 34HV | GTC | GPA | Switching | GT | 34S | GTC | GPA | Detector | GT | 38 | GTC | GPA | AF Amplifier | RR | 38 | RR | GPA | AF Amplifier | OC | 44 | AMP | GPA | RF Amplifier | OC | 45 | AMP | GPA | RF Amplifier | OC | 50 | AMP | GC | Oscillator | OC | 51 | AMP | GC | Switching | OC | 65 | AMP | GC | AF Amplifier | CT | 66 | GTC | GPA | Photo Use | OC | 66 | AMP | GPA | AF Amplifier | RR | 66 | RR | SD | AF Amplifier | OC | 70 | AMP | GPA | AF Amplifier | OC | 71 | AMP | GPA | RF Amplifier | OC | 72 | AMP | GMA | AF Amplifier | ZJ | 72 | GE | GNG | VHF Amplifier | OC | 73 | AMP | GPA | AF Amplifier | ZJ | 73 | GE | GNG | AF Amplifier | GT | 74 | GTC | GPA | AF Amplifier | GT | 75 | GTC | GPA | AF Amplifier | OC | 76 | AMP | GPA | Switching | GT | 81 | GTC | GPA | AF Amplifier | GT | 81H | GTC | GPA | AF Amplifier | GT | 81HS | GTC | GPA | AF Amplifier | GT | 82 | GTC | GPA | Switching | GT | 83 | GTC | GPA | Switching | GT | 87 | GTC | GPA | Switching | GT | 88 | GTC | GPA | Switching | DR | 100 | TS | GPA | AF Amplifier | DR | 101 | TS | GPA | AF Amplifier | DR | 102 | TS | GPA | AF Amplifier | GT | 109 | GTC | GPA | AF Amplifier | GT | 122 | GTC | GPA | Switching | GT | 123 | GTC | GPA | Switching | RR | 125 | RR | GPA | AF Amplifier | DR | 126 | TS | GPA | AF Amplifier | DR | 128 | TS | GPA | AF Amplifier | DR | 129 | TS | GPA | General Use | DR | 130 | TS | GPA | General Use | DR | 131 | TS | GPA | General Use | DR | 132 | TS | GPA | General Use | DR | 139 | TS | GPA | General Use | DR | 147 | TS | GPA | AF Power Amp | GT | 153 | GT | GPA | Switching | DR | 154 | TS | GPA | General Use | DR | 155 | TS | GPA | General Use | TS | 161 | TS | GMA | AF Amplifier | TS | 162 | TS | GMA | General Use | TS | 163 | TS | GPA | AF Amplifier | TS | 164 | TS | GPA | AF Amplifier | TS | 165 | TS | GPA | AF Amplifier | TS | 166 | TS | GPA | AF Amplifier | GT | 167 | GTC | GPA | Switching | TS | 176 | TS | GPA | AF Power Amp | 200 | TI | GNG | GPA | General Use | 201 | TI | GNG | GPA | General Use | 202 | TI | GNG | GPA | General Use | 206 | TI | GNG | GPA | AF Amplifier | 207 | TI | GNG | GPA | AF Amplifier | 208 | TI | GNG | GPA | AF Amplifier | GT | 210 | GTC | GPA | Switching | 210 | TI | GNG | GPA | AF Amplifier | 220 | TI | GNG | GPA | AF Amplifier | 221 | TI | GNG | GPA | IF Amplifier | GT | 222 | GTC | GPA | General Use | 222 | TI | GNG | GPA | IF Amplifier | 223 | TI | GNG | GPA | Converter | 224 | TI | GNG | GPA | Detector | 225 | TI | GNG | GPA | IF Amplifier | 227 | TI | GNG | GPA | IF Amplifier | 228 | TI | GNG | GPA | Detector | GT | 229 | GTC | GNA | AF Amplifier | 234 | TI | CNA | IF Amplifier | IF Amplifier | 235 | TI | GNA | GPA | Converter | GT | 269 | GTC | GPA | RF Amplifier | 301 | TI | GPA | AF Amplifier | AF Amplifier | 302 | TI | GPA | AF Amplifier | AF Amplifier | 310 | TI | GPA | AF Amplifier | AF Amplifier | 310 | TI | GPA | AF Amplifier | AF Amplifier | | | | | | | | | | | | | | | | | | | | | | | | | | | | | | | | | | | | | | | | | | | | | | | | | | | | | | | | | | | | | | | | | | | | | | | | | | | | | | | | | | | | | | | | | | | | | | | | | | | | | | | | | | | | | | | | | | | | | | | | | | | | | | | | | | | | | | | | | | | | | | | | | | | | | | | | | | | | | | | | |
| 2N1358 | DEL | GPA | General Use | General Use | 2N1395 | RCA | GPD | RF Amplifier | RF Amplifier | 2N1396 | RCA | GPD | RF Amplifier | RF Amplifier | 2N1397 | RCA | GPD | RF Amplifier | RF Amplifier | 2N1425 | RCA | GPD | IF Amplifier | IF Amplifier | 2N1426 | RCA | GPD | Converter | Converter | 2N1431 | SYL | GNA | AF Amplifier | AF Amplifier | 2N1432 | SYL | GPD | RF Amplifier | RF Amplifier | 2N1479 | RCA | SNJ | Power Switch | Power Switch | 2N1480 | RCA | SNJ | Power Switch | Power Switch | 2N1481 | RCA | SNJ | Power Switch | Power Switch | 2N1482 | RCA | SNJ | Power Switch | Power Switch | 2N1483 | RCA | SNJ | Power Switch | Power Switch | 2N1484 | RCA | SNJ | Power Switch | Power Switch | 2N1485 | RCA | SNJ | Power Switch | Power Switch | 2N1486 | RCA | SNJ | Power Switch | Power Switch | 2N1487 | RCA | SNJ | Power Switch | Power Switch | 2N1488 | RCA | SNJ | Power Switch | Power Switch | 2N1489 | RCA | SNJ | Power Switch | Power Switch | 2N1490 | RCA | SNJ | Power Switch | Power Switch | 3N22 | WHI | GNG | RF Amplifier | RF Amplifier | 3N23 | BOG | GNG | RF Amplifier | RF Amplifier | 3N23A | BOG | GNG | RF Amplifier | RF Amplifier | 3N23B | BOG | GNG | RF Amplifier | RF Amplifier | 3N23C | BOG | GNG | RF Amplifier | RF Amplifier | 3N25 | TI | GPJ | VHF Amp | VHF Amp | 3N26 | TI | SNG | RF Amplifier | RF Amplifier | 3N27 | TI | SNG | RF Amplifier | RF Amplifier | 3N29 | GE | GNA | RF Amplifier | RF Amplifier | 3N30 | GE | GNA | RF Amplifier | RF Amplifier | 3N31 | GE | GNA | RF Amplifier | RF Amplifier | 3N32 | TI | SNG | RF Amplifier | RF Amplifier | 3N33 | TI | SNG | RF Amplifier | RF Amplifier | 3N34 | TI | SNG | RF Amplifier | RF Amplifier | 3N35 | TI | SNG | RF Amplifier | RF Amplifier | 3N36 | GE | GNG | RF Amplifier | RF Amplifier | 3N37 | GE | GNG | RF Amplifier | RF Amplifier | 4JD1B2 | GE | GPA | Switching | Switching | 4JD1B3 | GE | GPA | Switching | Switching | 4JD1B4 | GE | GPA | Switching | Switching | 4JD4A2 | GE | GNG | IF Amplifier | IF Amplifier | 4JD4A3 | GE | GNG | Switching | Switching | 4JD4A4 | GE | GNG | IF Amplifier | IF Amplifier | 4JD4A5 | GE | GNG | RF Amplifier | RF Amplifier | 5A | SPR | GC | Switching | Switching | 5B | CTP | SD | Photo Use | Photo Use | 5C | CTP | SD | Photo Use | Photo Use | 8D | SPR | GPA | AF Amplifier | AF Amplifier | 8E | SPR | GPA | AF Amplifier | AF Amplifier | 8F | SPR | GPA | AF Amplifier | AF Amplifier | 10A | CTP | SD | Photo Use | Photo Use | 10A | SPR | GPA | AF Amplifier | AF Amplifier | 10B | CTP | SD | Photo Use | Photo Use | 10B | SPR | GPA | AF Amplifier | AF Amplifier | 10C | SPR | GPA | AF Amplifier | AF Amplifier | 11A | CTP | SO | Photo Use | Photo Use | 11B | CTP | SD | Photo Use | Photo Use | ZJ | 12 | GE | SNG | AF Amplifier | CK | 13 | RK | GPA | RF Amplifier | ZJ | 13 | GE | GNG | AF Amplifier | MN | 13A | MOT | GPA | AF Amplifier | MN | 13B | MOT | GPA | AF Amplifier | MN | 13C | MOT | GPA | AF Amplifier | ZJ | 13 | GE | GNG | AF Amplifier | CK | 14 | RK | GPA | RF Amplifier | GT | 14 | GTC | GPA | AF Amplifier | RR | 14 | RR | GPA | AF Amplifier | ZJ | 14 | GE | SD | Switching | ZJ | 14H | GTC | GPA | AF Amplifier | OC | 16 | AMP | GPA | AF Power Amp | ZJ | 16 | CK | RR | AF Power Amp | CK | 17 | RR | RR | AF Power Amp | MN | 19 | MOT | GPA | AF Amplifier | GT | 20 | GTC | GPA | AF Amplifier | RR | 20 | RR | GPA | AF Amplifier | GT | 20H | GTC | GPA | AF Amplifier | MN | 21 | MOT | GPA | AF Power Amp | RR | 21 | RR | GPA | AF Amplifier | GT | 24 | GTC | GPA | AF Amplifier | MN | 24 | MOT | GPA | AF Power Amp | MN | 25 | MOT | GPA | AF Power Amp | CK | 26 | RK | MOT | Switching | MN | 26 | MOT | GPA | AF Power Amp | MN | 28 | MOT | GPA | AF Power Amp | MN | 29 | MOT | GPA | AF Power Amp | GT | 34 | GTC | GPA | AF Amplifier | RR | 34 | RR | GPA | AF Amplifier | T | 34A | NU | GPA | AF Amplifier | T | 34B | NU | GPA | AF Amplifier | T | 34C | NU | GPA | AF Amplifier | T | 34D | NU | GPA | AF Amplifier | T | 34E | NU | GPA | AF Amplifier | T | 34F | NU | GPA | AF Amplifier | GT | 34HV | GTC | GPA | Switching | GT | 34S | GTC | GPA | Detector | GT | 38 | GTC | GPA | AF Amplifier | RR | 38 | RR | GPA | AF Amplifier | OC | 44 | AMP | GPA | RF Amplifier | OC | 45 | AMP | GPA | RF Amplifier | OC | 50 | AMP | GC | Oscillator | OC | 51 | AMP | GC | Switching | OC | 65 | AMP | GC | AF Amplifier | CT | 66 | GTC | GPA | Photo Use | OC | 66 | AMP | GPA | AF Amplifier | RR | 66 | RR | SD | AF Amplifier | OC | 70 | AMP | GPA | AF Amplifier | OC | 71 | AMP | GPA | RF Amplifier | OC | 72 | AMP | GMA | AF Amplifier | ZJ | 72 | GE | GNG | VHF Amplifier | OC | 73 | AMP | GPA | AF Amplifier | ZJ | 73 | GE | GNG | AF Amplifier | GT | 74 | GTC | GPA | AF Amplifier | GT | 75 | GTC | GPA | AF Amplifier | OC | 76 | AMP | GPA | Switching | GT | 81 | GTC | GPA | AF Amplifier | GT | 81H | GTC | GPA | AF Amplifier | GT | 81HS | GTC | GPA | AF Amplifier | GT | 82 | GTC | GPA | Switching | GT | 83 | GTC | GPA | Switching | GT | 87 | GTC | GPA | Switching | GT | 88 | GTC | GPA | Switching | DR | 100 | TS | GPA | AF Amplifier | DR | 101 | TS | GPA | AF Amplifier | DR | 102 | TS | GPA | AF Amplifier | GT | 109 | GTC | GPA | AF Amplifier | GT | 122 | GTC | GPA | Switching | GT | 123 | GTC | GPA | Switching | RR | 125 | RR | GPA | AF Amplifier | DR | 126 | TS | GPA | AF Amplifier | DR | 128 | TS | GPA | AF Amplifier | DR | 129 | TS | GPA | General Use | DR | 130 | TS | GPA | General Use | DR | 131 | TS | GPA | General Use | DR | 132 | TS | GPA | General Use | DR | 139 | TS | GPA | General Use | DR | 147 | TS | GPA | AF Power Amp | GT | 153 | GT | GPA | Switching | DR | 154 | TS | GPA | General Use | DR | 155 | TS | GPA | General Use | TS | 161 | TS | GMA | AF Amplifier | TS | 162 | TS | GMA | General Use | TS | 163 | TS | GPA | AF Amplifier | TS | 164 | TS | GPA | AF Amplifier | TS | 165 | TS | GPA | AF Amplifier | TS | 166 | TS | GPA | AF Amplifier | GT | 167 | GTC | GPA | Switching | TS | 176 | TS | GPA | AF Power Amp | 200 | TI | GNG | GPA | General Use | 201 | TI | GNG | GPA | General Use | 202 | TI | GNG | GPA | General Use | 206 | TI | GNG | GPA | AF Amplifier | 207 | TI | GNG | GPA | AF Amplifier | 208 | TI | GNG | GPA | AF Amplifier | GT | 210 | GTC | GPA | Switching | 210 | TI | GNG | GPA | AF Amplifier | 220 | TI | GNG | GPA | AF Amplifier | 221 | TI | GNG | GPA | IF Amplifier | GT | 222 | GTC | GPA | General Use | 222 | TI | GNG | GPA | IF Amplifier | 223 | TI | GNG | GPA | Converter | 224 | TI | GNG | GPA | Detector | 225 | TI | GNG | GPA | IF Amplifier | 227 | TI | GNG | GPA | IF Amplifier | 228 | TI | GNG | GPA | Detector | GT | 229 | GTC | GNA | AF Amplifier | 234 | TI | CNA | IF Amplifier | IF Amplifier | 235 | TI | GNA | GPA | Converter | GT | 269 | GTC | GPA | RF Amplifier | 301 | TI | GPA | AF Amplifier | AF Amplifier | 302 | TI | GPA | AF Amplifier | AF Amplifier | 310 | TI | GPA | AF Amplifier | AF Amplifier | 310 | TI | GPA | AF Amplifier | AF Amplifier | | | | | | | | | | | | | | | | | | | | | | | | | | | | | | | | | | | | | | | | | | | | | | | | | | | | | | | | | | | | | | | | | | | | | | | | | | | | | | | | | | | | | | | | | | | | | | | | | | | | | | | | | | | | | | | | | | | | | | | | | | | | | | | | | | | | | | | | | | | | | | | | | | | | | | | | | | | | | | | | | | | | | |
| 2N1395 | RCA | GPD | RF Amplifier | RF Amplifier | 2N1396 | RCA | GPD | RF Amplifier | RF Amplifier | 2N1397 | RCA | GPD | RF Amplifier | RF Amplifier | 2N1425 | RCA | GPD | IF Amplifier | IF Amplifier | 2N1426 | RCA | GPD | Converter | Converter | 2N1431 | SYL | GNA | AF Amplifier | AF Amplifier | 2N1432 | SYL | GPD | RF Amplifier | RF Amplifier | 2N1479 | RCA | SNJ | Power Switch | Power Switch | 2N1480 | RCA | SNJ | Power Switch | Power Switch | 2N1481 | RCA | SNJ | Power Switch | Power Switch | 2N1482 | RCA | SNJ | Power Switch | Power Switch | 2N1483 | RCA | SNJ | Power Switch | Power Switch | 2N1484 | RCA | SNJ | Power Switch | Power Switch | 2N1485 | RCA | SNJ | Power Switch | Power Switch | 2N1486 | RCA | SNJ | Power Switch | Power Switch | 2N1487 | RCA | SNJ | Power Switch | Power Switch | 2N1488 | RCA | SNJ | Power Switch | Power Switch | 2N1489 | RCA | SNJ | Power Switch | Power Switch | 2N1490 | RCA | SNJ | Power Switch | Power Switch | 3N22 | WHI | GNG | RF Amplifier | RF Amplifier | 3N23 | BOG | GNG | RF Amplifier | RF Amplifier | 3N23A | BOG | GNG | RF Amplifier | RF Amplifier | 3N23B | BOG | GNG | RF Amplifier | RF Amplifier | 3N23C | BOG | GNG | RF Amplifier | RF Amplifier | 3N25 | TI | GPJ | VHF Amp | VHF Amp | 3N26 | TI | SNG | RF Amplifier | RF Amplifier | 3N27 | TI | SNG | RF Amplifier | RF Amplifier | 3N29 | GE | GNA | RF Amplifier | RF Amplifier | 3N30 | GE | GNA | RF Amplifier | RF Amplifier | 3N31 | GE | GNA | RF Amplifier | RF Amplifier | 3N32 | TI | SNG | RF Amplifier | RF Amplifier | 3N33 | TI | SNG | RF Amplifier | RF Amplifier | 3N34 | TI | SNG | RF Amplifier | RF Amplifier | 3N35 | TI | SNG | RF Amplifier | RF Amplifier | 3N36 | GE | GNG | RF Amplifier | RF Amplifier | 3N37 | GE | GNG | RF Amplifier | RF Amplifier | 4JD1B2 | GE | GPA | Switching | Switching | 4JD1B3 | GE | GPA | Switching | Switching | 4JD1B4 | GE | GPA | Switching | Switching | 4JD4A2 | GE | GNG | IF Amplifier | IF Amplifier | 4JD4A3 | GE | GNG | Switching | Switching | 4JD4A4 | GE | GNG | IF Amplifier | IF Amplifier | 4JD4A5 | GE | GNG | RF Amplifier | RF Amplifier | 5A | SPR | GC | Switching | Switching | 5B | CTP | SD | Photo Use | Photo Use | 5C | CTP | SD | Photo Use | Photo Use | 8D | SPR | GPA | AF Amplifier | AF Amplifier | 8E | SPR | GPA | AF Amplifier | AF Amplifier | 8F | SPR | GPA | AF Amplifier | AF Amplifier | 10A | CTP | SD | Photo Use | Photo Use | 10A | SPR | GPA | AF Amplifier | AF Amplifier | 10B | CTP | SD | Photo Use | Photo Use | 10B | SPR | GPA | AF Amplifier | AF Amplifier | 10C | SPR | GPA | AF Amplifier | AF Amplifier | 11A | CTP | SO | Photo Use | Photo Use | 11B | CTP | SD | Photo Use | Photo Use | ZJ | 12 | GE | SNG | AF Amplifier | CK | 13 | RK | GPA | RF Amplifier | ZJ | 13 | GE | GNG | AF Amplifier | MN | 13A | MOT | GPA | AF Amplifier | MN | 13B | MOT | GPA | AF Amplifier | MN | 13C | MOT | GPA | AF Amplifier | ZJ | 13 | GE | GNG | AF Amplifier | CK | 14 | RK | GPA | RF Amplifier | GT | 14 | GTC | GPA | AF Amplifier | RR | 14 | RR | GPA | AF Amplifier | ZJ | 14 | GE | SD | Switching | ZJ | 14H | GTC | GPA | AF Amplifier | OC | 16 | AMP | GPA | AF Power Amp | ZJ | 16 | CK | RR | AF Power Amp | CK | 17 | RR | RR | AF Power Amp | MN | 19 | MOT | GPA | AF Amplifier | GT | 20 | GTC | GPA | AF Amplifier | RR | 20 | RR | GPA | AF Amplifier | GT | 20H | GTC | GPA | AF Amplifier | MN | 21 | MOT | GPA | AF Power Amp | RR | 21 | RR | GPA | AF Amplifier | GT | 24 | GTC | GPA | AF Amplifier | MN | 24 | MOT | GPA | AF Power Amp | MN | 25 | MOT | GPA | AF Power Amp | CK | 26 | RK | MOT | Switching | MN | 26 | MOT | GPA | AF Power Amp | MN | 28 | MOT | GPA | AF Power Amp | MN | 29 | MOT | GPA | AF Power Amp | GT | 34 | GTC | GPA | AF Amplifier | RR | 34 | RR | GPA | AF Amplifier | T | 34A | NU | GPA | AF Amplifier | T | 34B | NU | GPA | AF Amplifier | T | 34C | NU | GPA | AF Amplifier | T | 34D | NU | GPA | AF Amplifier | T | 34E | NU | GPA | AF Amplifier | T | 34F | NU | GPA | AF Amplifier | GT | 34HV | GTC | GPA | Switching | GT | 34S | GTC | GPA | Detector | GT | 38 | GTC | GPA | AF Amplifier | RR | 38 | RR | GPA | AF Amplifier | OC | 44 | AMP | GPA | RF Amplifier | OC | 45 | AMP | GPA | RF Amplifier | OC | 50 | AMP | GC | Oscillator | OC | 51 | AMP | GC | Switching | OC | 65 | AMP | GC | AF Amplifier | CT | 66 | GTC | GPA | Photo Use | OC | 66 | AMP | GPA | AF Amplifier | RR | 66 | RR | SD | AF Amplifier | OC | 70 | AMP | GPA | AF Amplifier | OC | 71 | AMP | GPA | RF Amplifier | OC | 72 | AMP | GMA | AF Amplifier | ZJ | 72 | GE | GNG | VHF Amplifier | OC | 73 | AMP | GPA | AF Amplifier | ZJ | 73 | GE | GNG | AF Amplifier | GT | 74 | GTC | GPA | AF Amplifier | GT | 75 | GTC | GPA | AF Amplifier | OC | 76 | AMP | GPA | Switching | GT | 81 | GTC | GPA | AF Amplifier | GT | 81H | GTC | GPA | AF Amplifier | GT | 81HS | GTC | GPA | AF Amplifier | GT | 82 | GTC | GPA | Switching | GT | 83 | GTC | GPA | Switching | GT | 87 | GTC | GPA | Switching | GT | 88 | GTC | GPA | Switching | DR | 100 | TS | GPA | AF Amplifier | DR | 101 | TS | GPA | AF Amplifier | DR | 102 | TS | GPA | AF Amplifier | GT | 109 | GTC | GPA | AF Amplifier | GT | 122 | GTC | GPA | Switching | GT | 123 | GTC | GPA | Switching | RR | 125 | RR | GPA | AF Amplifier | DR | 126 | TS | GPA | AF Amplifier | DR | 128 | TS | GPA | AF Amplifier | DR | 129 | TS | GPA | General Use | DR | 130 | TS | GPA | General Use | DR | 131 | TS | GPA | General Use | DR | 132 | TS | GPA | General Use | DR | 139 | TS | GPA | General Use | DR | 147 | TS | GPA | AF Power Amp | GT | 153 | GT | GPA | Switching | DR | 154 | TS | GPA | General Use | DR | 155 | TS | GPA | General Use | TS | 161 | TS | GMA | AF Amplifier | TS | 162 | TS | GMA | General Use | TS | 163 | TS | GPA | AF Amplifier | TS | 164 | TS | GPA | AF Amplifier | TS | 165 | TS | GPA | AF Amplifier | TS | 166 | TS | GPA | AF Amplifier | GT | 167 | GTC | GPA | Switching | TS | 176 | TS | GPA | AF Power Amp | 200 | TI | GNG | GPA | General Use | 201 | TI | GNG | GPA | General Use | 202 | TI | GNG | GPA | General Use | 206 | TI | GNG | GPA | AF Amplifier | 207 | TI | GNG | GPA | AF Amplifier | 208 | TI | GNG | GPA | AF Amplifier | GT | 210 | GTC | GPA | Switching | 210 | TI | GNG | GPA | AF Amplifier | 220 | TI | GNG | GPA | AF Amplifier | 221 | TI | GNG | GPA | IF Amplifier | GT | 222 | GTC | GPA | General Use | 222 | TI | GNG | GPA | IF Amplifier | 223 | TI | GNG | GPA | Converter | 224 | TI | GNG | GPA | Detector | 225 | TI | GNG | GPA | IF Amplifier | 227 | TI | GNG | GPA | IF Amplifier | 228 | TI | GNG | GPA | Detector | GT | 229 | GTC | GNA | AF Amplifier | 234 | TI | CNA | IF Amplifier | IF Amplifier | 235 | TI | GNA | GPA | Converter | GT | 269 | GTC | GPA | RF Amplifier | 301 | TI | GPA | AF Amplifier | AF Amplifier | 302 | TI | GPA | AF Amplifier | AF Amplifier | 310 | TI | GPA | AF Amplifier | AF Amplifier | 310 | TI | GPA | AF Amplifier | AF Amplifier | | | | | | | | | | | | | | | | | | | | | | | | | | | | | | | | | | | | | | | | | | | | | | | | | | | | | | | | | | | | | | | | | | | | | | | | | | | | | | | | | | | | | | | | | | | | | | | | | | | | | | | | | | | | | | | | | | | | | | | | | | | | | | | | | | | | | | | | | | | | | | | | | | | | | | | | | | | | | | | | | | | | | | | | | | |
| 2N1396 | RCA | GPD | RF Amplifier | RF Amplifier | 2N1397 | RCA | GPD | RF Amplifier | RF Amplifier | 2N1425 | RCA | GPD | IF Amplifier | IF Amplifier | 2N1426 | RCA | GPD | Converter | Converter | 2N1431 | SYL | GNA | AF Amplifier | AF Amplifier | 2N1432 | SYL | GPD | RF Amplifier | RF Amplifier | 2N1479 | RCA | SNJ | Power Switch | Power Switch | 2N1480 | RCA | SNJ | Power Switch | Power Switch | 2N1481 | RCA | SNJ | Power Switch | Power Switch | 2N1482 | RCA | SNJ | Power Switch | Power Switch | 2N1483 | RCA | SNJ | Power Switch | Power Switch | 2N1484 | RCA | SNJ | Power Switch | Power Switch | 2N1485 | RCA | SNJ | Power Switch | Power Switch | 2N1486 | RCA | SNJ | Power Switch | Power Switch | 2N1487 | RCA | SNJ | Power Switch | Power Switch | 2N1488 | RCA | SNJ | Power Switch | Power Switch | 2N1489 | RCA | SNJ | Power Switch | Power Switch | 2N1490 | RCA | SNJ | Power Switch | Power Switch | 3N22 | WHI | GNG | RF Amplifier | RF Amplifier | 3N23 | BOG | GNG | RF Amplifier | RF Amplifier | 3N23A | BOG | GNG | RF Amplifier | RF Amplifier | 3N23B | BOG | GNG | RF Amplifier | RF Amplifier | 3N23C | BOG | GNG | RF Amplifier | RF Amplifier | 3N25 | TI | GPJ | VHF Amp | VHF Amp | 3N26 | TI | SNG | RF Amplifier | RF Amplifier | 3N27 | TI | SNG | RF Amplifier | RF Amplifier | 3N29 | GE | GNA | RF Amplifier | RF Amplifier | 3N30 | GE | GNA | RF Amplifier | RF Amplifier | 3N31 | GE | GNA | RF Amplifier | RF Amplifier | 3N32 | TI | SNG | RF Amplifier | RF Amplifier | 3N33 | TI | SNG | RF Amplifier | RF Amplifier | 3N34 | TI | SNG | RF Amplifier | RF Amplifier | 3N35 | TI | SNG | RF Amplifier | RF Amplifier | 3N36 | GE | GNG | RF Amplifier | RF Amplifier | 3N37 | GE | GNG | RF Amplifier | RF Amplifier | 4JD1B2 | GE | GPA | Switching | Switching | 4JD1B3 | GE | GPA | Switching | Switching | 4JD1B4 | GE | GPA | Switching | Switching | 4JD4A2 | GE | GNG | IF Amplifier | IF Amplifier | 4JD4A3 | GE | GNG | Switching | Switching | 4JD4A4 | GE | GNG | IF Amplifier | IF Amplifier | 4JD4A5 | GE | GNG | RF Amplifier | RF Amplifier | 5A | SPR | GC | Switching | Switching | 5B | CTP | SD | Photo Use | Photo Use | 5C | CTP | SD | Photo Use | Photo Use | 8D | SPR | GPA | AF Amplifier | AF Amplifier | 8E | SPR | GPA | AF Amplifier | AF Amplifier | 8F | SPR | GPA | AF Amplifier | AF Amplifier | 10A | CTP | SD | Photo Use | Photo Use | 10A | SPR | GPA | AF Amplifier | AF Amplifier | 10B | CTP | SD | Photo Use | Photo Use | 10B | SPR | GPA | AF Amplifier | AF Amplifier | 10C | SPR | GPA | AF Amplifier | AF Amplifier | 11A | CTP | SO | Photo Use | Photo Use | 11B | CTP | SD | Photo Use | Photo Use | ZJ | 12 | GE | SNG | AF Amplifier | CK | 13 | RK | GPA | RF Amplifier | ZJ | 13 | GE | GNG | AF Amplifier | MN | 13A | MOT | GPA | AF Amplifier | MN | 13B | MOT | GPA | AF Amplifier | MN | 13C | MOT | GPA | AF Amplifier | ZJ | 13 | GE | GNG | AF Amplifier | CK | 14 | RK | GPA | RF Amplifier | GT | 14 | GTC | GPA | AF Amplifier | RR | 14 | RR | GPA | AF Amplifier | ZJ | 14 | GE | SD | Switching | ZJ | 14H | GTC | GPA | AF Amplifier | OC | 16 | AMP | GPA | AF Power Amp | ZJ | 16 | CK | RR | AF Power Amp | CK | 17 | RR | RR | AF Power Amp | MN | 19 | MOT | GPA | AF Amplifier | GT | 20 | GTC | GPA | AF Amplifier | RR | 20 | RR | GPA | AF Amplifier | GT | 20H | GTC | GPA | AF Amplifier | MN | 21 | MOT | GPA | AF Power Amp | RR | 21 | RR | GPA | AF Amplifier | GT | 24 | GTC | GPA | AF Amplifier | MN | 24 | MOT | GPA | AF Power Amp | MN | 25 | MOT | GPA | AF Power Amp | CK | 26 | RK | MOT | Switching | MN | 26 | MOT | GPA | AF Power Amp | MN | 28 | MOT | GPA | AF Power Amp | MN | 29 | MOT | GPA | AF Power Amp | GT | 34 | GTC | GPA | AF Amplifier | RR | 34 | RR | GPA | AF Amplifier | T | 34A | NU | GPA | AF Amplifier | T | 34B | NU | GPA | AF Amplifier | T | 34C | NU | GPA | AF Amplifier | T | 34D | NU | GPA | AF Amplifier | T | 34E | NU | GPA | AF Amplifier | T | 34F | NU | GPA | AF Amplifier | GT | 34HV | GTC | GPA | Switching | GT | 34S | GTC | GPA | Detector | GT | 38 | GTC | GPA | AF Amplifier | RR | 38 | RR | GPA | AF Amplifier | OC | 44 | AMP | GPA | RF Amplifier | OC | 45 | AMP | GPA | RF Amplifier | OC | 50 | AMP | GC | Oscillator | OC | 51 | AMP | GC | Switching | OC | 65 | AMP | GC | AF Amplifier | CT | 66 | GTC | GPA | Photo Use | OC | 66 | AMP | GPA | AF Amplifier | RR | 66 | RR | SD | AF Amplifier | OC | 70 | AMP | GPA | AF Amplifier | OC | 71 | AMP | GPA | RF Amplifier | OC | 72 | AMP | GMA | AF Amplifier | ZJ | 72 | GE | GNG | VHF Amplifier | OC | 73 | AMP | GPA | AF Amplifier | ZJ | 73 | GE | GNG | AF Amplifier | GT | 74 | GTC | GPA | AF Amplifier | GT | 75 | GTC | GPA | AF Amplifier | OC | 76 | AMP | GPA | Switching | GT | 81 | GTC | GPA | AF Amplifier | GT | 81H | GTC | GPA | AF Amplifier | GT | 81HS | GTC | GPA | AF Amplifier | GT | 82 | GTC | GPA | Switching | GT | 83 | GTC | GPA | Switching | GT | 87 | GTC | GPA | Switching | GT | 88 | GTC | GPA | Switching | DR | 100 | TS | GPA | AF Amplifier | DR | 101 | TS | GPA | AF Amplifier | DR | 102 | TS | GPA | AF Amplifier | GT | 109 | GTC | GPA | AF Amplifier | GT | 122 | GTC | GPA | Switching | GT | 123 | GTC | GPA | Switching | RR | 125 | RR | GPA | AF Amplifier | DR | 126 | TS | GPA | AF Amplifier | DR | 128 | TS | GPA | AF Amplifier | DR | 129 | TS | GPA | General Use | DR | 130 | TS | GPA | General Use | DR | 131 | TS | GPA | General Use | DR | 132 | TS | GPA | General Use | DR | 139 | TS | GPA | General Use | DR | 147 | TS | GPA | AF Power Amp | GT | 153 | GT | GPA | Switching | DR | 154 | TS | GPA | General Use | DR | 155 | TS | GPA | General Use | TS | 161 | TS | GMA | AF Amplifier | TS | 162 | TS | GMA | General Use | TS | 163 | TS | GPA | AF Amplifier | TS | 164 | TS | GPA | AF Amplifier | TS | 165 | TS | GPA | AF Amplifier | TS | 166 | TS | GPA | AF Amplifier | GT | 167 | GTC | GPA | Switching | TS | 176 | TS | GPA | AF Power Amp | 200 | TI | GNG | GPA | General Use | 201 | TI | GNG | GPA | General Use | 202 | TI | GNG | GPA | General Use | 206 | TI | GNG | GPA | AF Amplifier | 207 | TI | GNG | GPA | AF Amplifier | 208 | TI | GNG | GPA | AF Amplifier | GT | 210 | GTC | GPA | Switching | 210 | TI | GNG | GPA | AF Amplifier | 220 | TI | GNG | GPA | AF Amplifier | 221 | TI | GNG | GPA | IF Amplifier | GT | 222 | GTC | GPA | General Use | 222 | TI | GNG | GPA | IF Amplifier | 223 | TI | GNG | GPA | Converter | 224 | TI | GNG | GPA | Detector | 225 | TI | GNG | GPA | IF Amplifier | 227 | TI | GNG | GPA | IF Amplifier | 228 | TI | GNG | GPA | Detector | GT | 229 | GTC | GNA | AF Amplifier | 234 | TI | CNA | IF Amplifier | IF Amplifier | 235 | TI | GNA | GPA | Converter | GT | 269 | GTC | GPA | RF Amplifier | 301 | TI | GPA | AF Amplifier | AF Amplifier | 302 | TI | GPA | AF Amplifier | AF Amplifier | 310 | TI | GPA | AF Amplifier | AF Amplifier | 310 | TI | GPA | AF Amplifier | AF Amplifier | | | | | | | | | | | | | | | | | | | | | | | | | | | | | | | | | | | | | | | | | | | | | | | | | | | | | | | | | | | | | | | | | | | | | | | | | | | | | | | | | | | | | | | | | | | | | | | | | | | | | | | | | | | | | | | | | | | | | | | | | | | | | | | | | | | | | | | | | | | | | | | | | | | | | | | | | | | | | | | | | | | | | | | | | | | | | | | |
| 2N1397 | RCA | GPD | RF Amplifier | RF Amplifier | 2N1425 | RCA | GPD | IF Amplifier | IF Amplifier | 2N1426 | RCA | GPD | Converter | Converter | 2N1431 | SYL | GNA | AF Amplifier | AF Amplifier | 2N1432 | SYL | GPD | RF Amplifier | RF Amplifier | 2N1479 | RCA | SNJ | Power Switch | Power Switch | 2N1480 | RCA | SNJ | Power Switch | Power Switch | 2N1481 | RCA | SNJ | Power Switch | Power Switch | 2N1482 | RCA | SNJ | Power Switch | Power Switch | 2N1483 | RCA | SNJ | Power Switch | Power Switch | 2N1484 | RCA | SNJ | Power Switch | Power Switch | 2N1485 | RCA | SNJ | Power Switch | Power Switch | 2N1486 | RCA | SNJ | Power Switch | Power Switch | 2N1487 | RCA | SNJ | Power Switch | Power Switch | 2N1488 | RCA | SNJ | Power Switch | Power Switch | 2N1489 | RCA | SNJ | Power Switch | Power Switch | 2N1490 | RCA | SNJ | Power Switch | Power Switch | 3N22 | WHI | GNG | RF Amplifier | RF Amplifier | 3N23 | BOG | GNG | RF Amplifier | RF Amplifier | 3N23A | BOG | GNG | RF Amplifier | RF Amplifier | 3N23B | BOG | GNG | RF Amplifier | RF Amplifier | 3N23C | BOG | GNG | RF Amplifier | RF Amplifier | 3N25 | TI | GPJ | VHF Amp | VHF Amp | 3N26 | TI | SNG | RF Amplifier | RF Amplifier | 3N27 | TI | SNG | RF Amplifier | RF Amplifier | 3N29 | GE | GNA | RF Amplifier | RF Amplifier | 3N30 | GE | GNA | RF Amplifier | RF Amplifier | 3N31 | GE | GNA | RF Amplifier | RF Amplifier | 3N32 | TI | SNG | RF Amplifier | RF Amplifier | 3N33 | TI | SNG | RF Amplifier | RF Amplifier | 3N34 | TI | SNG | RF Amplifier | RF Amplifier | 3N35 | TI | SNG | RF Amplifier | RF Amplifier | 3N36 | GE | GNG | RF Amplifier | RF Amplifier | 3N37 | GE | GNG | RF Amplifier | RF Amplifier | 4JD1B2 | GE | GPA | Switching | Switching | 4JD1B3 | GE | GPA | Switching | Switching | 4JD1B4 | GE | GPA | Switching | Switching | 4JD4A2 | GE | GNG | IF Amplifier | IF Amplifier | 4JD4A3 | GE | GNG | Switching | Switching | 4JD4A4 | GE | GNG | IF Amplifier | IF Amplifier | 4JD4A5 | GE | GNG | RF Amplifier | RF Amplifier | 5A | SPR | GC | Switching | Switching | 5B | CTP | SD | Photo Use | Photo Use | 5C | CTP | SD | Photo Use | Photo Use | 8D | SPR | GPA | AF Amplifier | AF Amplifier | 8E | SPR | GPA | AF Amplifier | AF Amplifier | 8F | SPR | GPA | AF Amplifier | AF Amplifier | 10A | CTP | SD | Photo Use | Photo Use | 10A | SPR | GPA | AF Amplifier | AF Amplifier | 10B | CTP | SD | Photo Use | Photo Use | 10B | SPR | GPA | AF Amplifier | AF Amplifier | 10C | SPR | GPA | AF Amplifier | AF Amplifier | 11A | CTP | SO | Photo Use | Photo Use | 11B | CTP | SD | Photo Use | Photo Use | ZJ | 12 | GE | SNG | AF Amplifier | CK | 13 | RK | GPA | RF Amplifier | ZJ | 13 | GE | GNG | AF Amplifier | MN | 13A | MOT | GPA | AF Amplifier | MN | 13B | MOT | GPA | AF Amplifier | MN | 13C | MOT | GPA | AF Amplifier | ZJ | 13 | GE | GNG | AF Amplifier | CK | 14 | RK | GPA | RF Amplifier | GT | 14 | GTC | GPA | AF Amplifier | RR | 14 | RR | GPA | AF Amplifier | ZJ | 14 | GE | SD | Switching | ZJ | 14H | GTC | GPA | AF Amplifier | OC | 16 | AMP | GPA | AF Power Amp | ZJ | 16 | CK | RR | AF Power Amp | CK | 17 | RR | RR | AF Power Amp | MN | 19 | MOT | GPA | AF Amplifier | GT | 20 | GTC | GPA | AF Amplifier | RR | 20 | RR | GPA | AF Amplifier | GT | 20H | GTC | GPA | AF Amplifier | MN | 21 | MOT | GPA | AF Power Amp | RR | 21 | RR | GPA | AF Amplifier | GT | 24 | GTC | GPA | AF Amplifier | MN | 24 | MOT | GPA | AF Power Amp | MN | 25 | MOT | GPA | AF Power Amp | CK | 26 | RK | MOT | Switching | MN | 26 | MOT | GPA | AF Power Amp | MN | 28 | MOT | GPA | AF Power Amp | MN | 29 | MOT | GPA | AF Power Amp | GT | 34 | GTC | GPA | AF Amplifier | RR | 34 | RR | GPA | AF Amplifier | T | 34A | NU | GPA | AF Amplifier | T | 34B | NU | GPA | AF Amplifier | T | 34C | NU | GPA | AF Amplifier | T | 34D | NU | GPA | AF Amplifier | T | 34E | NU | GPA | AF Amplifier | T | 34F | NU | GPA | AF Amplifier | GT | 34HV | GTC | GPA | Switching | GT | 34S | GTC | GPA | Detector | GT | 38 | GTC | GPA | AF Amplifier | RR | 38 | RR | GPA | AF Amplifier | OC | 44 | AMP | GPA | RF Amplifier | OC | 45 | AMP | GPA | RF Amplifier | OC | 50 | AMP | GC | Oscillator | OC | 51 | AMP | GC | Switching | OC | 65 | AMP | GC | AF Amplifier | CT | 66 | GTC | GPA | Photo Use | OC | 66 | AMP | GPA | AF Amplifier | RR | 66 | RR | SD | AF Amplifier | OC | 70 | AMP | GPA | AF Amplifier | OC | 71 | AMP | GPA | RF Amplifier | OC | 72 | AMP | GMA | AF Amplifier | ZJ | 72 | GE | GNG | VHF Amplifier | OC | 73 | AMP | GPA | AF Amplifier | ZJ | 73 | GE | GNG | AF Amplifier | GT | 74 | GTC | GPA | AF Amplifier | GT | 75 | GTC | GPA | AF Amplifier | OC | 76 | AMP | GPA | Switching | GT | 81 | GTC | GPA | AF Amplifier | GT | 81H | GTC | GPA | AF Amplifier | GT | 81HS | GTC | GPA | AF Amplifier | GT | 82 | GTC | GPA | Switching | GT | 83 | GTC | GPA | Switching | GT | 87 | GTC | GPA | Switching | GT | 88 | GTC | GPA | Switching | DR | 100 | TS | GPA | AF Amplifier | DR | 101 | TS | GPA | AF Amplifier | DR | 102 | TS | GPA | AF Amplifier | GT | 109 | GTC | GPA | AF Amplifier | GT | 122 | GTC | GPA | Switching | GT | 123 | GTC | GPA | Switching | RR | 125 | RR | GPA | AF Amplifier | DR | 126 | TS | GPA | AF Amplifier | DR | 128 | TS | GPA | AF Amplifier | DR | 129 | TS | GPA | General Use | DR | 130 | TS | GPA | General Use | DR | 131 | TS | GPA | General Use | DR | 132 | TS | GPA | General Use | DR | 139 | TS | GPA | General Use | DR | 147 | TS | GPA | AF Power Amp | GT | 153 | GT | GPA | Switching | DR | 154 | TS | GPA | General Use | DR | 155 | TS | GPA | General Use | TS | 161 | TS | GMA | AF Amplifier | TS | 162 | TS | GMA | General Use | TS | 163 | TS | GPA | AF Amplifier | TS | 164 | TS | GPA | AF Amplifier | TS | 165 | TS | GPA | AF Amplifier | TS | 166 | TS | GPA | AF Amplifier | GT | 167 | GTC | GPA | Switching | TS | 176 | TS | GPA | AF Power Amp | 200 | TI | GNG | GPA | General Use | 201 | TI | GNG | GPA | General Use | 202 | TI | GNG | GPA | General Use | 206 | TI | GNG | GPA | AF Amplifier | 207 | TI | GNG | GPA | AF Amplifier | 208 | TI | GNG | GPA | AF Amplifier | GT | 210 | GTC | GPA | Switching | 210 | TI | GNG | GPA | AF Amplifier | 220 | TI | GNG | GPA | AF Amplifier | 221 | TI | GNG | GPA | IF Amplifier | GT | 222 | GTC | GPA | General Use | 222 | TI | GNG | GPA | IF Amplifier | 223 | TI | GNG | GPA | Converter | 224 | TI | GNG | GPA | Detector | 225 | TI | GNG | GPA | IF Amplifier | 227 | TI | GNG | GPA | IF Amplifier | 228 | TI | GNG | GPA | Detector | GT | 229 | GTC | GNA | AF Amplifier | 234 | TI | CNA | IF Amplifier | IF Amplifier | 235 | TI | GNA | GPA | Converter | GT | 269 | GTC | GPA | RF Amplifier | 301 | TI | GPA | AF Amplifier | AF Amplifier | 302 | TI | GPA | AF Amplifier | AF Amplifier | 310 | TI | GPA | AF Amplifier | AF Amplifier | 310 | TI | GPA | AF Amplifier | AF Amplifier | | | | | | | | | | | | | | | | | | | | | | | | | | | | | | | | | | | | | | | | | | | | | | | | | | | | | | | | | | | | | | | | | | | | | | | | | | | | | | | | | | | | | | | | | | | | | | | | | | | | | | | | | | | | | | | | | | | | | | | | | | | | | | | | | | | | | | | | | | | | | | | | | | | | | | | | | | | | | | | | | | | | | | | | | | | | | | | | | | | | |
| 2N1425 | RCA | GPD | IF Amplifier | IF Amplifier | 2N1426 | RCA | GPD | Converter | Converter | 2N1431 | SYL | GNA | AF Amplifier | AF Amplifier | 2N1432 | SYL | GPD | RF Amplifier | RF Amplifier | 2N1479 | RCA | SNJ | Power Switch | Power Switch | 2N1480 | RCA | SNJ | Power Switch | Power Switch | 2N1481 | RCA | SNJ | Power Switch | Power Switch | 2N1482 | RCA | SNJ | Power Switch | Power Switch | 2N1483 | RCA | SNJ | Power Switch | Power Switch | 2N1484 | RCA | SNJ | Power Switch | Power Switch | 2N1485 | RCA | SNJ | Power Switch | Power Switch | 2N1486 | RCA | SNJ | Power Switch | Power Switch | 2N1487 | RCA | SNJ | Power Switch | Power Switch | 2N1488 | RCA | SNJ | Power Switch | Power Switch | 2N1489 | RCA | SNJ | Power Switch | Power Switch | 2N1490 | RCA | SNJ | Power Switch | Power Switch | 3N22 | WHI | GNG | RF Amplifier | RF Amplifier | 3N23 | BOG | GNG | RF Amplifier | RF Amplifier | 3N23A | BOG | GNG | RF Amplifier | RF Amplifier | 3N23B | BOG | GNG | RF Amplifier | RF Amplifier | 3N23C | BOG | GNG | RF Amplifier | RF Amplifier | 3N25 | TI | GPJ | VHF Amp | VHF Amp | 3N26 | TI | SNG | RF Amplifier | RF Amplifier | 3N27 | TI | SNG | RF Amplifier | RF Amplifier | 3N29 | GE | GNA | RF Amplifier | RF Amplifier | 3N30 | GE | GNA | RF Amplifier | RF Amplifier | 3N31 | GE | GNA | RF Amplifier | RF Amplifier | 3N32 | TI | SNG | RF Amplifier | RF Amplifier | 3N33 | TI | SNG | RF Amplifier | RF Amplifier | 3N34 | TI | SNG | RF Amplifier | RF Amplifier | 3N35 | TI | SNG | RF Amplifier | RF Amplifier | 3N36 | GE | GNG | RF Amplifier | RF Amplifier | 3N37 | GE | GNG | RF Amplifier | RF Amplifier | 4JD1B2 | GE | GPA | Switching | Switching | 4JD1B3 | GE | GPA | Switching | Switching | 4JD1B4 | GE | GPA | Switching | Switching | 4JD4A2 | GE | GNG | IF Amplifier | IF Amplifier | 4JD4A3 | GE | GNG | Switching | Switching | 4JD4A4 | GE | GNG | IF Amplifier | IF Amplifier | 4JD4A5 | GE | GNG | RF Amplifier | RF Amplifier | 5A | SPR | GC | Switching | Switching | 5B | CTP | SD | Photo Use | Photo Use | 5C | CTP | SD | Photo Use | Photo Use | 8D | SPR | GPA | AF Amplifier | AF Amplifier | 8E | SPR | GPA | AF Amplifier | AF Amplifier | 8F | SPR | GPA | AF Amplifier | AF Amplifier | 10A | CTP | SD | Photo Use | Photo Use | 10A | SPR | GPA | AF Amplifier | AF Amplifier | 10B | CTP | SD | Photo Use | Photo Use | 10B | SPR | GPA | AF Amplifier | AF Amplifier | 10C | SPR | GPA | AF Amplifier | AF Amplifier | 11A | CTP | SO | Photo Use | Photo Use | 11B | CTP | SD | Photo Use | Photo Use | ZJ | 12 | GE | SNG | AF Amplifier | CK | 13 | RK | GPA | RF Amplifier | ZJ | 13 | GE | GNG | AF Amplifier | MN | 13A | MOT | GPA | AF Amplifier | MN | 13B | MOT | GPA | AF Amplifier | MN | 13C | MOT | GPA | AF Amplifier | ZJ | 13 | GE | GNG | AF Amplifier | CK | 14 | RK | GPA | RF Amplifier | GT | 14 | GTC | GPA | AF Amplifier | RR | 14 | RR | GPA | AF Amplifier | ZJ | 14 | GE | SD | Switching | ZJ | 14H | GTC | GPA | AF Amplifier | OC | 16 | AMP | GPA | AF Power Amp | ZJ | 16 | CK | RR | AF Power Amp | CK | 17 | RR | RR | AF Power Amp | MN | 19 | MOT | GPA | AF Amplifier | GT | 20 | GTC | GPA | AF Amplifier | RR | 20 | RR | GPA | AF Amplifier | GT | 20H | GTC | GPA | AF Amplifier | MN | 21 | MOT | GPA | AF Power Amp | RR | 21 | RR | GPA | AF Amplifier | GT | 24 | GTC | GPA | AF Amplifier | MN | 24 | MOT | GPA | AF Power Amp | MN | 25 | MOT | GPA | AF Power Amp | CK | 26 | RK | MOT | Switching | MN | 26 | MOT | GPA | AF Power Amp | MN | 28 | MOT | GPA | AF Power Amp | MN | 29 | MOT | GPA | AF Power Amp | GT | 34 | GTC | GPA | AF Amplifier | RR | 34 | RR | GPA | AF Amplifier | T | 34A | NU | GPA | AF Amplifier | T | 34B | NU | GPA | AF Amplifier | T | 34C | NU | GPA | AF Amplifier | T | 34D | NU | GPA | AF Amplifier | T | 34E | NU | GPA | AF Amplifier | T | 34F | NU | GPA | AF Amplifier | GT | 34HV | GTC | GPA | Switching | GT | 34S | GTC | GPA | Detector | GT | 38 | GTC | GPA | AF Amplifier | RR | 38 | RR | GPA | AF Amplifier | OC | 44 | AMP | GPA | RF Amplifier | OC | 45 | AMP | GPA | RF Amplifier | OC | 50 | AMP | GC | Oscillator | OC | 51 | AMP | GC | Switching | OC | 65 | AMP | GC | AF Amplifier | CT | 66 | GTC | GPA | Photo Use | OC | 66 | AMP | GPA | AF Amplifier | RR | 66 | RR | SD | AF Amplifier | OC | 70 | AMP | GPA | AF Amplifier | OC | 71 | AMP | GPA | RF Amplifier | OC | 72 | AMP | GMA | AF Amplifier | ZJ | 72 | GE | GNG | VHF Amplifier | OC | 73 | AMP | GPA | AF Amplifier | ZJ | 73 | GE | GNG | AF Amplifier | GT | 74 | GTC | GPA | AF Amplifier | GT | 75 | GTC | GPA | AF Amplifier | OC | 76 | AMP | GPA | Switching | GT | 81 | GTC | GPA | AF Amplifier | GT | 81H | GTC | GPA | AF Amplifier | GT | 81HS | GTC | GPA | AF Amplifier | GT | 82 | GTC | GPA | Switching | GT | 83 | GTC | GPA | Switching | GT | 87 | GTC | GPA | Switching | GT | 88 | GTC | GPA | Switching | DR | 100 | TS | GPA | AF Amplifier | DR | 101 | TS | GPA | AF Amplifier | DR | 102 | TS | GPA | AF Amplifier | GT | 109 | GTC | GPA | AF Amplifier | GT | 122 | GTC | GPA | Switching | GT | 123 | GTC | GPA | Switching | RR | 125 | RR | GPA | AF Amplifier | DR | 126 | TS | GPA | AF Amplifier | DR | 128 | TS | GPA | AF Amplifier | DR | 129 | TS | GPA | General Use | DR | 130 | TS | GPA | General Use | DR | 131 | TS | GPA | General Use | DR | 132 | TS | GPA | General Use | DR | 139 | TS | GPA | General Use | DR | 147 | TS | GPA | AF Power Amp | GT | 153 | GT | GPA | Switching | DR | 154 | TS | GPA | General Use | DR | 155 | TS | GPA | General Use | TS | 161 | TS | GMA | AF Amplifier | TS | 162 | TS | GMA | General Use | TS | 163 | TS | GPA | AF Amplifier | TS | 164 | TS | GPA | AF Amplifier | TS | 165 | TS | GPA | AF Amplifier | TS | 166 | TS | GPA | AF Amplifier | GT | 167 | GTC | GPA | Switching | TS | 176 | TS | GPA | AF Power Amp | 200 | TI | GNG | GPA | General Use | 201 | TI | GNG | GPA | General Use | 202 | TI | GNG | GPA | General Use | 206 | TI | GNG | GPA | AF Amplifier | 207 | TI | GNG | GPA | AF Amplifier | 208 | TI | GNG | GPA | AF Amplifier | GT | 210 | GTC | GPA | Switching | 210 | TI | GNG | GPA | AF Amplifier | 220 | TI | GNG | GPA | AF Amplifier | 221 | TI | GNG | GPA | IF Amplifier | GT | 222 | GTC | GPA | General Use | 222 | TI | GNG | GPA | IF Amplifier | 223 | TI | GNG | GPA | Converter | 224 | TI | GNG | GPA | Detector | 225 | TI | GNG | GPA | IF Amplifier | 227 | TI | GNG | GPA | IF Amplifier | 228 | TI | GNG | GPA | Detector | GT | 229 | GTC | GNA | AF Amplifier | 234 | TI | CNA | IF Amplifier | IF Amplifier | 235 | TI | GNA | GPA | Converter | GT | 269 | GTC | GPA | RF Amplifier | 301 | TI | GPA | AF Amplifier | AF Amplifier | 302 | TI | GPA | AF Amplifier | AF Amplifier | 310 | TI | GPA | AF Amplifier | AF Amplifier | 310 | TI | GPA | AF Amplifier | AF Amplifier | | | | | | | | | | | | | | | | | | | | | | | | | | | | | | | | | | | | | | | | | | | | | | | | | | | | | | | | | | | | | | | | | | | | | | | | | | | | | | | | | | | | | | | | | | | | | | | | | | | | | | | | | | | | | | | | | | | | | | | | | | | | | | | | | | | | | | | | | | | | | | | | | | | | | | | | | | | | | | | | | | | | | | | | | | | | | | | | | | | | | | | | | |
| 2N1426 | RCA | GPD | Converter | Converter | 2N1431 | SYL | GNA | AF Amplifier | AF Amplifier | 2N1432 | SYL | GPD | RF Amplifier | RF Amplifier | 2N1479 | RCA | SNJ | Power Switch | Power Switch | 2N1480 | RCA | SNJ | Power Switch | Power Switch | 2N1481 | RCA | SNJ | Power Switch | Power Switch | 2N1482 | RCA | SNJ | Power Switch | Power Switch | 2N1483 | RCA | SNJ | Power Switch | Power Switch | 2N1484 | RCA | SNJ | Power Switch | Power Switch | 2N1485 | RCA | SNJ | Power Switch | Power Switch | 2N1486 | RCA | SNJ | Power Switch | Power Switch | 2N1487 | RCA | SNJ | Power Switch | Power Switch | 2N1488 | RCA | SNJ | Power Switch | Power Switch | 2N1489 | RCA | SNJ | Power Switch | Power Switch | 2N1490 | RCA | SNJ | Power Switch | Power Switch | 3N22 | WHI | GNG | RF Amplifier | RF Amplifier | 3N23 | BOG | GNG | RF Amplifier | RF Amplifier | 3N23A | BOG | GNG | RF Amplifier | RF Amplifier | 3N23B | BOG | GNG | RF Amplifier | RF Amplifier | 3N23C | BOG | GNG | RF Amplifier | RF Amplifier | 3N25 | TI | GPJ | VHF Amp | VHF Amp | 3N26 | TI | SNG | RF Amplifier | RF Amplifier | 3N27 | TI | SNG | RF Amplifier | RF Amplifier | 3N29 | GE | GNA | RF Amplifier | RF Amplifier | 3N30 | GE | GNA | RF Amplifier | RF Amplifier | 3N31 | GE | GNA | RF Amplifier | RF Amplifier | 3N32 | TI | SNG | RF Amplifier | RF Amplifier | 3N33 | TI | SNG | RF Amplifier | RF Amplifier | 3N34 | TI | SNG | RF Amplifier | RF Amplifier | 3N35 | TI | SNG | RF Amplifier | RF Amplifier | 3N36 | GE | GNG | RF Amplifier | RF Amplifier | 3N37 | GE | GNG | RF Amplifier | RF Amplifier | 4JD1B2 | GE | GPA | Switching | Switching | 4JD1B3 | GE | GPA | Switching | Switching | 4JD1B4 | GE | GPA | Switching | Switching | 4JD4A2 | GE | GNG | IF Amplifier | IF Amplifier | 4JD4A3 | GE | GNG | Switching | Switching | 4JD4A4 | GE | GNG | IF Amplifier | IF Amplifier | 4JD4A5 | GE | GNG | RF Amplifier | RF Amplifier | 5A | SPR | GC | Switching | Switching | 5B | CTP | SD | Photo Use | Photo Use | 5C | CTP | SD | Photo Use | Photo Use | 8D | SPR | GPA | AF Amplifier | AF Amplifier | 8E | SPR | GPA | AF Amplifier | AF Amplifier | 8F | SPR | GPA | AF Amplifier | AF Amplifier | 10A | CTP | SD | Photo Use | Photo Use | 10A | SPR | GPA | AF Amplifier | AF Amplifier | 10B | CTP | SD | Photo Use | Photo Use | 10B | SPR | GPA | AF Amplifier | AF Amplifier | 10C | SPR | GPA | AF Amplifier | AF Amplifier | 11A | CTP | SO | Photo Use | Photo Use | 11B | CTP | SD | Photo Use | Photo Use | ZJ | 12 | GE | SNG | AF Amplifier | CK | 13 | RK | GPA | RF Amplifier | ZJ | 13 | GE | GNG | AF Amplifier | MN | 13A | MOT | GPA | AF Amplifier | MN | 13B | MOT | GPA | AF Amplifier | MN | 13C | MOT | GPA | AF Amplifier | ZJ | 13 | GE | GNG | AF Amplifier | CK | 14 | RK | GPA | RF Amplifier | GT | 14 | GTC | GPA | AF Amplifier | RR | 14 | RR | GPA | AF Amplifier | ZJ | 14 | GE | SD | Switching | ZJ | 14H | GTC | GPA | AF Amplifier | OC | 16 | AMP | GPA | AF Power Amp | ZJ | 16 | CK | RR | AF Power Amp | CK | 17 | RR | RR | AF Power Amp | MN | 19 | MOT | GPA | AF Amplifier | GT | 20 | GTC | GPA | AF Amplifier | RR | 20 | RR | GPA | AF Amplifier | GT | 20H | GTC | GPA | AF Amplifier | MN | 21 | MOT | GPA | AF Power Amp | RR | 21 | RR | GPA | AF Amplifier | GT | 24 | GTC | GPA | AF Amplifier | MN | 24 | MOT | GPA | AF Power Amp | MN | 25 | MOT | GPA | AF Power Amp | CK | 26 | RK | MOT | Switching | MN | 26 | MOT | GPA | AF Power Amp | MN | 28 | MOT | GPA | AF Power Amp | MN | 29 | MOT | GPA | AF Power Amp | GT | 34 | GTC | GPA | AF Amplifier | RR | 34 | RR | GPA | AF Amplifier | T | 34A | NU | GPA | AF Amplifier | T | 34B | NU | GPA | AF Amplifier | T | 34C | NU | GPA | AF Amplifier | T | 34D | NU | GPA | AF Amplifier | T | 34E | NU | GPA | AF Amplifier | T | 34F | NU | GPA | AF Amplifier | GT | 34HV | GTC | GPA | Switching | GT | 34S | GTC | GPA | Detector | GT | 38 | GTC | GPA | AF Amplifier | RR | 38 | RR | GPA | AF Amplifier | OC | 44 | AMP | GPA | RF Amplifier | OC | 45 | AMP | GPA | RF Amplifier | OC | 50 | AMP | GC | Oscillator | OC | 51 | AMP | GC | Switching | OC | 65 | AMP | GC | AF Amplifier | CT | 66 | GTC | GPA | Photo Use | OC | 66 | AMP | GPA | AF Amplifier | RR | 66 | RR | SD | AF Amplifier | OC | 70 | AMP | GPA | AF Amplifier | OC | 71 | AMP | GPA | RF Amplifier | OC | 72 | AMP | GMA | AF Amplifier | ZJ | 72 | GE | GNG | VHF Amplifier | OC | 73 | AMP | GPA | AF Amplifier | ZJ | 73 | GE | GNG | AF Amplifier | GT | 74 | GTC | GPA | AF Amplifier | GT | 75 | GTC | GPA | AF Amplifier | OC | 76 | AMP | GPA | Switching | GT | 81 | GTC | GPA | AF Amplifier | GT | 81H | GTC | GPA | AF Amplifier | GT | 81HS | GTC | GPA | AF Amplifier | GT | 82 | GTC | GPA | Switching | GT | 83 | GTC | GPA | Switching | GT | 87 | GTC | GPA | Switching | GT | 88 | GTC | GPA | Switching | DR | 100 | TS | GPA | AF Amplifier | DR | 101 | TS | GPA | AF Amplifier | DR | 102 | TS | GPA | AF Amplifier | GT | 109 | GTC | GPA | AF Amplifier | GT | 122 | GTC | GPA | Switching | GT | 123 | GTC | GPA | Switching | RR | 125 | RR | GPA | AF Amplifier | DR | 126 | TS | GPA | AF Amplifier | DR | 128 | TS | GPA | AF Amplifier | DR | 129 | TS | GPA | General Use | DR | 130 | TS | GPA | General Use | DR | 131 | TS | GPA | General Use | DR | 132 | TS | GPA | General Use | DR | 139 | TS | GPA | General Use | DR | 147 | TS | GPA | AF Power Amp | GT | 153 | GT | GPA | Switching | DR | 154 | TS | GPA | General Use | DR | 155 | TS | GPA | General Use | TS | 161 | TS | GMA | AF Amplifier | TS | 162 | TS | GMA | General Use | TS | 163 | TS | GPA | AF Amplifier | TS | 164 | TS | GPA | AF Amplifier | TS | 165 | TS | GPA | AF Amplifier | TS | 166 | TS | GPA | AF Amplifier | GT | 167 | GTC | GPA | Switching | TS | 176 | TS | GPA | AF Power Amp | 200 | TI | GNG | GPA | General Use | 201 | TI | GNG | GPA | General Use | 202 | TI | GNG | GPA | General Use | 206 | TI | GNG | GPA | AF Amplifier | 207 | TI | GNG | GPA | AF Amplifier | 208 | TI | GNG | GPA | AF Amplifier | GT | 210 | GTC | GPA | Switching | 210 | TI | GNG | GPA | AF Amplifier | 220 | TI | GNG | GPA | AF Amplifier | 221 | TI | GNG | GPA | IF Amplifier | GT | 222 | GTC | GPA | General Use | 222 | TI | GNG | GPA | IF Amplifier | 223 | TI | GNG | GPA | Converter | 224 | TI | GNG | GPA | Detector | 225 | TI | GNG | GPA | IF Amplifier | 227 | TI | GNG | GPA | IF Amplifier | 228 | TI | GNG | GPA | Detector | GT | 229 | GTC | GNA | AF Amplifier | 234 | TI | CNA | IF Amplifier | IF Amplifier | 235 | TI | GNA | GPA | Converter | GT | 269 | GTC | GPA | RF Amplifier | 301 | TI | GPA | AF Amplifier | AF Amplifier | 302 | TI | GPA | AF Amplifier | AF Amplifier | 310 | TI | GPA | AF Amplifier | AF Amplifier | 310 | TI | GPA | AF Amplifier | AF Amplifier | | | | | | | | | | | | | | | | | | | | | | | | | | | | | | | | | | | | | | | | | | | | | | | | | | | | | | | | | | | | | | | | | | | | | | | | | | | | | | | | | | | | | | | | | | | | | | | | | | | | | | | | | | | | | | | | | | | | | | | | | | | | | | | | | | | | | | | | | | | | | | | | | | | | | | | | | | | | | | | | | | | | | | | | | | | | | | | | | | | | | | | | | | | | | | |
| 2N1431 | SYL | GNA | AF Amplifier | AF Amplifier | 2N1432 | SYL | GPD | RF Amplifier | RF Amplifier | 2N1479 | RCA | SNJ | Power Switch | Power Switch | 2N1480 | RCA | SNJ | Power Switch | Power Switch | 2N1481 | RCA | SNJ | Power Switch | Power Switch | 2N1482 | RCA | SNJ | Power Switch | Power Switch | 2N1483 | RCA | SNJ | Power Switch | Power Switch | 2N1484 | RCA | SNJ | Power Switch | Power Switch | 2N1485 | RCA | SNJ | Power Switch | Power Switch | 2N1486 | RCA | SNJ | Power Switch | Power Switch | 2N1487 | RCA | SNJ | Power Switch | Power Switch | 2N1488 | RCA | SNJ | Power Switch | Power Switch | 2N1489 | RCA | SNJ | Power Switch | Power Switch | 2N1490 | RCA | SNJ | Power Switch | Power Switch | 3N22 | WHI | GNG | RF Amplifier | RF Amplifier | 3N23 | BOG | GNG | RF Amplifier | RF Amplifier | 3N23A | BOG | GNG | RF Amplifier | RF Amplifier | 3N23B | BOG | GNG | RF Amplifier | RF Amplifier | 3N23C | BOG | GNG | RF Amplifier | RF Amplifier | 3N25 | TI | GPJ | VHF Amp | VHF Amp | 3N26 | TI | SNG | RF Amplifier | RF Amplifier | 3N27 | TI | SNG | RF Amplifier | RF Amplifier | 3N29 | GE | GNA | RF Amplifier | RF Amplifier | 3N30 | GE | GNA | RF Amplifier | RF Amplifier | 3N31 | GE | GNA | RF Amplifier | RF Amplifier | 3N32 | TI | SNG | RF Amplifier | RF Amplifier | 3N33 | TI | SNG | RF Amplifier | RF Amplifier | 3N34 | TI | SNG | RF Amplifier | RF Amplifier | 3N35 | TI | SNG | RF Amplifier | RF Amplifier | 3N36 | GE | GNG | RF Amplifier | RF Amplifier | 3N37 | GE | GNG | RF Amplifier | RF Amplifier | 4JD1B2 | GE | GPA | Switching | Switching | 4JD1B3 | GE | GPA | Switching | Switching | 4JD1B4 | GE | GPA | Switching | Switching | 4JD4A2 | GE | GNG | IF Amplifier | IF Amplifier | 4JD4A3 | GE | GNG | Switching | Switching | 4JD4A4 | GE | GNG | IF Amplifier | IF Amplifier | 4JD4A5 | GE | GNG | RF Amplifier | RF Amplifier | 5A | SPR | GC | Switching | Switching | 5B | CTP | SD | Photo Use | Photo Use | 5C | CTP | SD | Photo Use | Photo Use | 8D | SPR | GPA | AF Amplifier | AF Amplifier | 8E | SPR | GPA | AF Amplifier | AF Amplifier | 8F | SPR | GPA | AF Amplifier | AF Amplifier | 10A | CTP | SD | Photo Use | Photo Use | 10A | SPR | GPA | AF Amplifier | AF Amplifier | 10B | CTP | SD | Photo Use | Photo Use | 10B | SPR | GPA | AF Amplifier | AF Amplifier | 10C | SPR | GPA | AF Amplifier | AF Amplifier | 11A | CTP | SO | Photo Use | Photo Use | 11B | CTP | SD | Photo Use | Photo Use | ZJ | 12 | GE | SNG | AF Amplifier | CK | 13 | RK | GPA | RF Amplifier | ZJ | 13 | GE | GNG | AF Amplifier | MN | 13A | MOT | GPA | AF Amplifier | MN | 13B | MOT | GPA | AF Amplifier | MN | 13C | MOT | GPA | AF Amplifier | ZJ | 13 | GE | GNG | AF Amplifier | CK | 14 | RK | GPA | RF Amplifier | GT | 14 | GTC | GPA | AF Amplifier | RR | 14 | RR | GPA | AF Amplifier | ZJ | 14 | GE | SD | Switching | ZJ | 14H | GTC | GPA | AF Amplifier | OC | 16 | AMP | GPA | AF Power Amp | ZJ | 16 | CK | RR | AF Power Amp | CK | 17 | RR | RR | AF Power Amp | MN | 19 | MOT | GPA | AF Amplifier | GT | 20 | GTC | GPA | AF Amplifier | RR | 20 | RR | GPA | AF Amplifier | GT | 20H | GTC | GPA | AF Amplifier | MN | 21 | MOT | GPA | AF Power Amp | RR | 21 | RR | GPA | AF Amplifier | GT | 24 | GTC | GPA | AF Amplifier | MN | 24 | MOT | GPA | AF Power Amp | MN | 25 | MOT | GPA | AF Power Amp | CK | 26 | RK | MOT | Switching | MN | 26 | MOT | GPA | AF Power Amp | MN | 28 | MOT | GPA | AF Power Amp | MN | 29 | MOT | GPA | AF Power Amp | GT | 34 | GTC | GPA | AF Amplifier | RR | 34 | RR | GPA | AF Amplifier | T | 34A | NU | GPA | AF Amplifier | T | 34B | NU | GPA | AF Amplifier | T | 34C | NU | GPA | AF Amplifier | T | 34D | NU | GPA | AF Amplifier | T | 34E | NU | GPA | AF Amplifier | T | 34F | NU | GPA | AF Amplifier | GT | 34HV | GTC | GPA | Switching | GT | 34S | GTC | GPA | Detector | GT | 38 | GTC | GPA | AF Amplifier | RR | 38 | RR | GPA | AF Amplifier | OC | 44 | AMP | GPA | RF Amplifier | OC | 45 | AMP | GPA | RF Amplifier | OC | 50 | AMP | GC | Oscillator | OC | 51 | AMP | GC | Switching | OC | 65 | AMP | GC | AF Amplifier | CT | 66 | GTC | GPA | Photo Use | OC | 66 | AMP | GPA | AF Amplifier | RR | 66 | RR | SD | AF Amplifier | OC | 70 | AMP | GPA | AF Amplifier | OC | 71 | AMP | GPA | RF Amplifier | OC | 72 | AMP | GMA | AF Amplifier | ZJ | 72 | GE | GNG | VHF Amplifier | OC | 73 | AMP | GPA | AF Amplifier | ZJ | 73 | GE | GNG | AF Amplifier | GT | 74 | GTC | GPA | AF Amplifier | GT | 75 | GTC | GPA | AF Amplifier | OC | 76 | AMP | GPA | Switching | GT | 81 | GTC | GPA | AF Amplifier | GT | 81H | GTC | GPA | AF Amplifier | GT | 81HS | GTC | GPA | AF Amplifier | GT | 82 | GTC | GPA | Switching | GT | 83 | GTC | GPA | Switching | GT | 87 | GTC | GPA | Switching | GT | 88 | GTC | GPA | Switching | DR | 100 | TS | GPA | AF Amplifier | DR | 101 | TS | GPA | AF Amplifier | DR | 102 | TS | GPA | AF Amplifier | GT | 109 | GTC | GPA | AF Amplifier | GT | 122 | GTC | GPA | Switching | GT | 123 | GTC | GPA | Switching | RR | 125 | RR | GPA | AF Amplifier | DR | 126 | TS | GPA | AF Amplifier | DR | 128 | TS | GPA | AF Amplifier | DR | 129 | TS | GPA | General Use | DR | 130 | TS | GPA | General Use | DR | 131 | TS | GPA | General Use | DR | 132 | TS | GPA | General Use | DR | 139 | TS | GPA | General Use | DR | 147 | TS | GPA | AF Power Amp | GT | 153 | GT | GPA | Switching | DR | 154 | TS | GPA | General Use | DR | 155 | TS | GPA | General Use | TS | 161 | TS | GMA | AF Amplifier | TS | 162 | TS | GMA | General Use | TS | 163 | TS | GPA | AF Amplifier | TS | 164 | TS | GPA | AF Amplifier | TS | 165 | TS | GPA | AF Amplifier | TS | 166 | TS | GPA | AF Amplifier | GT | 167 | GTC | GPA | Switching | TS | 176 | TS | GPA | AF Power Amp | 200 | TI | GNG | GPA | General Use | 201 | TI | GNG | GPA | General Use | 202 | TI | GNG | GPA | General Use | 206 | TI | GNG | GPA | AF Amplifier | 207 | TI | GNG | GPA | AF Amplifier | 208 | TI | GNG | GPA | AF Amplifier | GT | 210 | GTC | GPA | Switching | 210 | TI | GNG | GPA | AF Amplifier | 220 | TI | GNG | GPA | AF Amplifier | 221 | TI | GNG | GPA | IF Amplifier | GT | 222 | GTC | GPA | General Use | 222 | TI | GNG | GPA | IF Amplifier | 223 | TI | GNG | GPA | Converter | 224 | TI | GNG | GPA | Detector | 225 | TI | GNG | GPA | IF Amplifier | 227 | TI | GNG | GPA | IF Amplifier | 228 | TI | GNG | GPA | Detector | GT | 229 | GTC | GNA | AF Amplifier | 234 | TI | CNA | IF Amplifier | IF Amplifier | 235 | TI | GNA | GPA | Converter | GT | 269 | GTC | GPA | RF Amplifier | 301 | TI | GPA | AF Amplifier | AF Amplifier | 302 | TI | GPA | AF Amplifier | AF Amplifier | 310 | TI | GPA | AF Amplifier | AF Amplifier | 310 | TI | GPA | AF Amplifier | AF Amplifier | | | | | | | | | | | | | | | | | | | | | | | | | | | | | | | | | | | | | | | | | | | | | | | | | | | | | | | | | | | | | | | | | | | | | | | | | | | | | | | | | | | | | | | | | | | | | | | | | | | | | | | | | | | | | | | | | | | | | | | | | | | | | | | | | | | | | | | | | | | | | | | | | | | | | | | | | | | | | | | | | | | | | | | | | | | | | | | | | | | | | | | | | | | | | | | | | | | |
| 2N1432 | SYL | GPD | RF Amplifier | RF Amplifier | 2N1479 | RCA | SNJ | Power Switch | Power Switch | 2N1480 | RCA | SNJ | Power Switch | Power Switch | 2N1481 | RCA | SNJ | Power Switch | Power Switch | 2N1482 | RCA | SNJ | Power Switch | Power Switch | 2N1483 | RCA | SNJ | Power Switch | Power Switch | 2N1484 | RCA | SNJ | Power Switch | Power Switch | 2N1485 | RCA | SNJ | Power Switch | Power Switch | 2N1486 | RCA | SNJ | Power Switch | Power Switch | 2N1487 | RCA | SNJ | Power Switch | Power Switch | 2N1488 | RCA | SNJ | Power Switch | Power Switch | 2N1489 | RCA | SNJ | Power Switch | Power Switch | 2N1490 | RCA | SNJ | Power Switch | Power Switch | 3N22 | WHI | GNG | RF Amplifier | RF Amplifier | 3N23 | BOG | GNG | RF Amplifier | RF Amplifier | 3N23A | BOG | GNG | RF Amplifier | RF Amplifier | 3N23B | BOG | GNG | RF Amplifier | RF Amplifier | 3N23C | BOG | GNG | RF Amplifier | RF Amplifier | 3N25 | TI | GPJ | VHF Amp | VHF Amp | 3N26 | TI | SNG | RF Amplifier | RF Amplifier | 3N27 | TI | SNG | RF Amplifier | RF Amplifier | 3N29 | GE | GNA | RF Amplifier | RF Amplifier | 3N30 | GE | GNA | RF Amplifier | RF Amplifier | 3N31 | GE | GNA | RF Amplifier | RF Amplifier | 3N32 | TI | SNG | RF Amplifier | RF Amplifier | 3N33 | TI | SNG | RF Amplifier | RF Amplifier | 3N34 | TI | SNG | RF Amplifier | RF Amplifier | 3N35 | TI | SNG | RF Amplifier | RF Amplifier | 3N36 | GE | GNG | RF Amplifier | RF Amplifier | 3N37 | GE | GNG | RF Amplifier | RF Amplifier | 4JD1B2 | GE | GPA | Switching | Switching | 4JD1B3 | GE | GPA | Switching | Switching | 4JD1B4 | GE | GPA | Switching | Switching | 4JD4A2 | GE | GNG | IF Amplifier | IF Amplifier | 4JD4A3 | GE | GNG | Switching | Switching | 4JD4A4 | GE | GNG | IF Amplifier | IF Amplifier | 4JD4A5 | GE | GNG | RF Amplifier | RF Amplifier | 5A | SPR | GC | Switching | Switching | 5B | CTP | SD | Photo Use | Photo Use | 5C | CTP | SD | Photo Use | Photo Use | 8D | SPR | GPA | AF Amplifier | AF Amplifier | 8E | SPR | GPA | AF Amplifier | AF Amplifier | 8F | SPR | GPA | AF Amplifier | AF Amplifier | 10A | CTP | SD | Photo Use | Photo Use | 10A | SPR | GPA | AF Amplifier | AF Amplifier | 10B | CTP | SD | Photo Use | Photo Use | 10B | SPR | GPA | AF Amplifier | AF Amplifier | 10C | SPR | GPA | AF Amplifier | AF Amplifier | 11A | CTP | SO | Photo Use | Photo Use | 11B | CTP | SD | Photo Use | Photo Use | ZJ | 12 | GE | SNG | AF Amplifier | CK | 13 | RK | GPA | RF Amplifier | ZJ | 13 | GE | GNG | AF Amplifier | MN | 13A | MOT | GPA | AF Amplifier | MN | 13B | MOT | GPA | AF Amplifier | MN | 13C | MOT | GPA | AF Amplifier | ZJ | 13 | GE | GNG | AF Amplifier | CK | 14 | RK | GPA | RF Amplifier | GT | 14 | GTC | GPA | AF Amplifier | RR | 14 | RR | GPA | AF Amplifier | ZJ | 14 | GE | SD | Switching | ZJ | 14H | GTC | GPA | AF Amplifier | OC | 16 | AMP | GPA | AF Power Amp | ZJ | 16 | CK | RR | AF Power Amp | CK | 17 | RR | RR | AF Power Amp | MN | 19 | MOT | GPA | AF Amplifier | GT | 20 | GTC | GPA | AF Amplifier | RR | 20 | RR | GPA | AF Amplifier | GT | 20H | GTC | GPA | AF Amplifier | MN | 21 | MOT | GPA | AF Power Amp | RR | 21 | RR | GPA | AF Amplifier | GT | 24 | GTC | GPA | AF Amplifier | MN | 24 | MOT | GPA | AF Power Amp | MN | 25 | MOT | GPA | AF Power Amp | CK | 26 | RK | MOT | Switching | MN | 26 | MOT | GPA | AF Power Amp | MN | 28 | MOT | GPA | AF Power Amp | MN | 29 | MOT | GPA | AF Power Amp | GT | 34 | GTC | GPA | AF Amplifier | RR | 34 | RR | GPA | AF Amplifier | T | 34A | NU | GPA | AF Amplifier | T | 34B | NU | GPA | AF Amplifier | T | 34C | NU | GPA | AF Amplifier | T | 34D | NU | GPA | AF Amplifier | T | 34E | NU | GPA | AF Amplifier | T | 34F | NU | GPA | AF Amplifier | GT | 34HV | GTC | GPA | Switching | GT | 34S | GTC | GPA | Detector | GT | 38 | GTC | GPA | AF Amplifier | RR | 38 | RR | GPA | AF Amplifier | OC | 44 | AMP | GPA | RF Amplifier | OC | 45 | AMP | GPA | RF Amplifier | OC | 50 | AMP | GC | Oscillator | OC | 51 | AMP | GC | Switching | OC | 65 | AMP | GC | AF Amplifier | CT | 66 | GTC | GPA | Photo Use | OC | 66 | AMP | GPA | AF Amplifier | RR | 66 | RR | SD | AF Amplifier | OC | 70 | AMP | GPA | AF Amplifier | OC | 71 | AMP | GPA | RF Amplifier | OC | 72 | AMP | GMA | AF Amplifier | ZJ | 72 | GE | GNG | VHF Amplifier | OC | 73 | AMP | GPA | AF Amplifier | ZJ | 73 | GE | GNG | AF Amplifier | GT | 74 | GTC | GPA | AF Amplifier | GT | 75 | GTC | GPA | AF Amplifier | OC | 76 | AMP | GPA | Switching | GT | 81 | GTC | GPA | AF Amplifier | GT | 81H | GTC | GPA | AF Amplifier | GT | 81HS | GTC | GPA | AF Amplifier | GT | 82 | GTC | GPA | Switching | GT | 83 | GTC | GPA | Switching | GT | 87 | GTC | GPA | Switching | GT | 88 | GTC | GPA | Switching | DR | 100 | TS | GPA | AF Amplifier | DR | 101 | TS | GPA | AF Amplifier | DR | 102 | TS | GPA | AF Amplifier | GT | 109 | GTC | GPA | AF Amplifier | GT | 122 | GTC | GPA | Switching | GT | 123 | GTC | GPA | Switching | RR | 125 | RR | GPA | AF Amplifier | DR | 126 | TS | GPA | AF Amplifier | DR | 128 | TS | GPA | AF Amplifier | DR | 129 | TS | GPA | General Use | DR | 130 | TS | GPA | General Use | DR | 131 | TS | GPA | General Use | DR | 132 | TS | GPA | General Use | DR | 139 | TS | GPA | General Use | DR | 147 | TS | GPA | AF Power Amp | GT | 153 | GT | GPA | Switching | DR | 154 | TS | GPA | General Use | DR | 155 | TS | GPA | General Use | TS | 161 | TS | GMA | AF Amplifier | TS | 162 | TS | GMA | General Use | TS | 163 | TS | GPA | AF Amplifier | TS | 164 | TS | GPA | AF Amplifier | TS | 165 | TS | GPA | AF Amplifier | TS | 166 | TS | GPA | AF Amplifier | GT | 167 | GTC | GPA | Switching | TS | 176 | TS | GPA | AF Power Amp | 200 | TI | GNG | GPA | General Use | 201 | TI | GNG | GPA | General Use | 202 | TI | GNG | GPA | General Use | 206 | TI | GNG | GPA | AF Amplifier | 207 | TI | GNG | GPA | AF Amplifier | 208 | TI | GNG | GPA | AF Amplifier | GT | 210 | GTC | GPA | Switching | 210 | TI | GNG | GPA | AF Amplifier | 220 | TI | GNG | GPA | AF Amplifier | 221 | TI | GNG | GPA | IF Amplifier | GT | 222 | GTC | GPA | General Use | 222 | TI | GNG | GPA | IF Amplifier | 223 | TI | GNG | GPA | Converter | 224 | TI | GNG | GPA | Detector | 225 | TI | GNG | GPA | IF Amplifier | 227 | TI | GNG | GPA | IF Amplifier | 228 | TI | GNG | GPA | Detector | GT | 229 | GTC | GNA | AF Amplifier | 234 | TI | CNA | IF Amplifier | IF Amplifier | 235 | TI | GNA | GPA | Converter | GT | 269 | GTC | GPA | RF Amplifier | 301 | TI | GPA | AF Amplifier | AF Amplifier | 302 | TI | GPA | AF Amplifier | AF Amplifier | 310 | TI | GPA | AF Amplifier | AF Amplifier | 310 | TI | GPA | AF Amplifier | AF Amplifier | | | | | | | | | | | | | | | | | | | | | | | | | | | | | | | | | | | | | | | | | | | | | | | | | | | | | | | | | | | | | | | | | | | | | | | | | | | | | | | | | | | | | | | | | | | | | | | | | | | | | | | | | | | | | | | | | | | | | | | | | | | | | | | | | | | | | | | | | | | | | | | | | | | | | | | | | | | | | | | | | | | | | | | | | | | | | | | | | | | | | | | | | | | | | | | | | | | | | | | | |
| 2N1479 | RCA | SNJ | Power Switch | Power Switch | 2N1480 | RCA | SNJ | Power Switch | Power Switch | 2N1481 | RCA | SNJ | Power Switch | Power Switch | 2N1482 | RCA | SNJ | Power Switch | Power Switch | 2N1483 | RCA | SNJ | Power Switch | Power Switch | 2N1484 | RCA | SNJ | Power Switch | Power Switch | 2N1485 | RCA | SNJ | Power Switch | Power Switch | 2N1486 | RCA | SNJ | Power Switch | Power Switch | 2N1487 | RCA | SNJ | Power Switch | Power Switch | 2N1488 | RCA | SNJ | Power Switch | Power Switch | 2N1489 | RCA | SNJ | Power Switch | Power Switch | 2N1490 | RCA | SNJ | Power Switch | Power Switch | 3N22 | WHI | GNG | RF Amplifier | RF Amplifier | 3N23 | BOG | GNG | RF Amplifier | RF Amplifier | 3N23A | BOG | GNG | RF Amplifier | RF Amplifier | 3N23B | BOG | GNG | RF Amplifier | RF Amplifier | 3N23C | BOG | GNG | RF Amplifier | RF Amplifier | 3N25 | TI | GPJ | VHF Amp | VHF Amp | 3N26 | TI | SNG | RF Amplifier | RF Amplifier | 3N27 | TI | SNG | RF Amplifier | RF Amplifier | 3N29 | GE | GNA | RF Amplifier | RF Amplifier | 3N30 | GE | GNA | RF Amplifier | RF Amplifier | 3N31 | GE | GNA | RF Amplifier | RF Amplifier | 3N32 | TI | SNG | RF Amplifier | RF Amplifier | 3N33 | TI | SNG | RF Amplifier | RF Amplifier | 3N34 | TI | SNG | RF Amplifier | RF Amplifier | 3N35 | TI | SNG | RF Amplifier | RF Amplifier | 3N36 | GE | GNG | RF Amplifier | RF Amplifier | 3N37 | GE | GNG | RF Amplifier | RF Amplifier | 4JD1B2 | GE | GPA | Switching | Switching | 4JD1B3 | GE | GPA | Switching | Switching | 4JD1B4 | GE | GPA | Switching | Switching | 4JD4A2 | GE | GNG | IF Amplifier | IF Amplifier | 4JD4A3 | GE | GNG | Switching | Switching | 4JD4A4 | GE | GNG | IF Amplifier | IF Amplifier | 4JD4A5 | GE | GNG | RF Amplifier | RF Amplifier | 5A | SPR | GC | Switching | Switching | 5B | CTP | SD | Photo Use | Photo Use | 5C | CTP | SD | Photo Use | Photo Use | 8D | SPR | GPA | AF Amplifier | AF Amplifier | 8E | SPR | GPA | AF Amplifier | AF Amplifier | 8F | SPR | GPA | AF Amplifier | AF Amplifier | 10A | CTP | SD | Photo Use | Photo Use | 10A | SPR | GPA | AF Amplifier | AF Amplifier | 10B | CTP | SD | Photo Use | Photo Use | 10B | SPR | GPA | AF Amplifier | AF Amplifier | 10C | SPR | GPA | AF Amplifier | AF Amplifier | 11A | CTP | SO | Photo Use | Photo Use | 11B | CTP | SD | Photo Use | Photo Use | ZJ | 12 | GE | SNG | AF Amplifier | CK | 13 | RK | GPA | RF Amplifier | ZJ | 13 | GE | GNG | AF Amplifier | MN | 13A | MOT | GPA | AF Amplifier | MN | 13B | MOT | GPA | AF Amplifier | MN | 13C | MOT | GPA | AF Amplifier | ZJ | 13 | GE | GNG | AF Amplifier | CK | 14 | RK | GPA | RF Amplifier | GT | 14 | GTC | GPA | AF Amplifier | RR | 14 | RR | GPA | AF Amplifier | ZJ | 14 | GE | SD | Switching | ZJ | 14H | GTC | GPA | AF Amplifier | OC | 16 | AMP | GPA | AF Power Amp | ZJ | 16 | CK | RR | AF Power Amp | CK | 17 | RR | RR | AF Power Amp | MN | 19 | MOT | GPA | AF Amplifier | GT | 20 | GTC | GPA | AF Amplifier | RR | 20 | RR | GPA | AF Amplifier | GT | 20H | GTC | GPA | AF Amplifier | MN | 21 | MOT | GPA | AF Power Amp | RR | 21 | RR | GPA | AF Amplifier | GT | 24 | GTC | GPA | AF Amplifier | MN | 24 | MOT | GPA | AF Power Amp | MN | 25 | MOT | GPA | AF Power Amp | CK | 26 | RK | MOT | Switching | MN | 26 | MOT | GPA | AF Power Amp | MN | 28 | MOT | GPA | AF Power Amp | MN | 29 | MOT | GPA | AF Power Amp | GT | 34 | GTC | GPA | AF Amplifier | RR | 34 | RR | GPA | AF Amplifier | T | 34A | NU | GPA | AF Amplifier | T | 34B | NU | GPA | AF Amplifier | T | 34C | NU | GPA | AF Amplifier | T | 34D | NU | GPA | AF Amplifier | T | 34E | NU | GPA | AF Amplifier | T | 34F | NU | GPA | AF Amplifier | GT | 34HV | GTC | GPA | Switching | GT | 34S | GTC | GPA | Detector | GT | 38 | GTC | GPA | AF Amplifier | RR | 38 | RR | GPA | AF Amplifier | OC | 44 | AMP | GPA | RF Amplifier | OC | 45 | AMP | GPA | RF Amplifier | OC | 50 | AMP | GC | Oscillator | OC | 51 | AMP | GC | Switching | OC | 65 | AMP | GC | AF Amplifier | CT | 66 | GTC | GPA | Photo Use | OC | 66 | AMP | GPA | AF Amplifier | RR | 66 | RR | SD | AF Amplifier | OC | 70 | AMP | GPA | AF Amplifier | OC | 71 | AMP | GPA | RF Amplifier | OC | 72 | AMP | GMA | AF Amplifier | ZJ | 72 | GE | GNG | VHF Amplifier | OC | 73 | AMP | GPA | AF Amplifier | ZJ | 73 | GE | GNG | AF Amplifier | GT | 74 | GTC | GPA | AF Amplifier | GT | 75 | GTC | GPA | AF Amplifier | OC | 76 | AMP | GPA | Switching | GT | 81 | GTC | GPA | AF Amplifier | GT | 81H | GTC | GPA | AF Amplifier | GT | 81HS | GTC | GPA | AF Amplifier | GT | 82 | GTC | GPA | Switching | GT | 83 | GTC | GPA | Switching | GT | 87 | GTC | GPA | Switching | GT | 88 | GTC | GPA | Switching | DR | 100 | TS | GPA | AF Amplifier | DR | 101 | TS | GPA | AF Amplifier | DR | 102 | TS | GPA | AF Amplifier | GT | 109 | GTC | GPA | AF Amplifier | GT | 122 | GTC | GPA | Switching | GT | 123 | GTC | GPA | Switching | RR | 125 | RR | GPA | AF Amplifier | DR | 126 | TS | GPA | AF Amplifier | DR | 128 | TS | GPA | AF Amplifier | DR | 129 | TS | GPA | General Use | DR | 130 | TS | GPA | General Use | DR | 131 | TS | GPA | General Use | DR | 132 | TS | GPA | General Use | DR | 139 | TS | GPA | General Use | DR | 147 | TS | GPA | AF Power Amp | GT | 153 | GT | GPA | Switching | DR | 154 | TS | GPA | General Use | DR | 155 | TS | GPA | General Use | TS | 161 | TS | GMA | AF Amplifier | TS | 162 | TS | GMA | General Use | TS | 163 | TS | GPA | AF Amplifier | TS | 164 | TS | GPA | AF Amplifier | TS | 165 | TS | GPA | AF Amplifier | TS | 166 | TS | GPA | AF Amplifier | GT | 167 | GTC | GPA | Switching | TS | 176 | TS | GPA | AF Power Amp | 200 | TI | GNG | GPA | General Use | 201 | TI | GNG | GPA | General Use | 202 | TI | GNG | GPA | General Use | 206 | TI | GNG | GPA | AF Amplifier | 207 | TI | GNG | GPA | AF Amplifier | 208 | TI | GNG | GPA | AF Amplifier | GT | 210 | GTC | GPA | Switching | 210 | TI | GNG | GPA | AF Amplifier | 220 | TI | GNG | GPA | AF Amplifier | 221 | TI | GNG | GPA | IF Amplifier | GT | 222 | GTC | GPA | General Use | 222 | TI | GNG | GPA | IF Amplifier | 223 | TI | GNG | GPA | Converter | 224 | TI | GNG | GPA | Detector | 225 | TI | GNG | GPA | IF Amplifier | 227 | TI | GNG | GPA | IF Amplifier | 228 | TI | GNG | GPA | Detector | GT | 229 | GTC | GNA | AF Amplifier | 234 | TI | CNA | IF Amplifier | IF Amplifier | 235 | TI | GNA | GPA | Converter | GT | 269 | GTC | GPA | RF Amplifier | 301 | TI | GPA | AF Amplifier | AF Amplifier | 302 | TI | GPA | AF Amplifier | AF Amplifier | 310 | TI | GPA | AF Amplifier | AF Amplifier | 310 | TI | GPA | AF Amplifier | AF Amplifier | | | | | | | | | | | | | | | | | | | | | | | | | | | | | | | | | | | | | | | | | | | | | | | | | | | | | | | | | | | | | | | | | | | | | | | | | | | | | | | | | | | | | | | | | | | | | | | | | | | | | | | | | | | | | | | | | | | | | | | | | | | | | | | | | | | | | | | | | | | | | | | | | | | | | | | | | | | | | | | | | | | | | | | | | | | | | | | | | | | | | | | | | | | | | | | | | | | | | | | | | | | | | |
| 2N1480 | RCA | SNJ | Power Switch | Power Switch | 2N1481 | RCA | SNJ | Power Switch | Power Switch | 2N1482 | RCA | SNJ | Power Switch | Power Switch | 2N1483 | RCA | SNJ | Power Switch | Power Switch | 2N1484 | RCA | SNJ | Power Switch | Power Switch | 2N1485 | RCA | SNJ | Power Switch | Power Switch | 2N1486 | RCA | SNJ | Power Switch | Power Switch | 2N1487 | RCA | SNJ | Power Switch | Power Switch | 2N1488 | RCA | SNJ | Power Switch | Power Switch | 2N1489 | RCA | SNJ | Power Switch | Power Switch | 2N1490 | RCA | SNJ | Power Switch | Power Switch | 3N22 | WHI | GNG | RF Amplifier | RF Amplifier | 3N23 | BOG | GNG | RF Amplifier | RF Amplifier | 3N23A | BOG | GNG | RF Amplifier | RF Amplifier | 3N23B | BOG | GNG | RF Amplifier | RF Amplifier | 3N23C | BOG | GNG | RF Amplifier | RF Amplifier | 3N25 | TI | GPJ | VHF Amp | VHF Amp | 3N26 | TI | SNG | RF Amplifier | RF Amplifier | 3N27 | TI | SNG | RF Amplifier | RF Amplifier | 3N29 | GE | GNA | RF Amplifier | RF Amplifier | 3N30 | GE | GNA | RF Amplifier | RF Amplifier | 3N31 | GE | GNA | RF Amplifier | RF Amplifier | 3N32 | TI | SNG | RF Amplifier | RF Amplifier | 3N33 | TI | SNG | RF Amplifier | RF Amplifier | 3N34 | TI | SNG | RF Amplifier | RF Amplifier | 3N35 | TI | SNG | RF Amplifier | RF Amplifier | 3N36 | GE | GNG | RF Amplifier | RF Amplifier | 3N37 | GE | GNG | RF Amplifier | RF Amplifier | 4JD1B2 | GE | GPA | Switching | Switching | 4JD1B3 | GE | GPA | Switching | Switching | 4JD1B4 | GE | GPA | Switching | Switching | 4JD4A2 | GE | GNG | IF Amplifier | IF Amplifier | 4JD4A3 | GE | GNG | Switching | Switching | 4JD4A4 | GE | GNG | IF Amplifier | IF Amplifier | 4JD4A5 | GE | GNG | RF Amplifier | RF Amplifier | 5A | SPR | GC | Switching | Switching | 5B | CTP | SD | Photo Use | Photo Use | 5C | CTP | SD | Photo Use | Photo Use | 8D | SPR | GPA | AF Amplifier | AF Amplifier | 8E | SPR | GPA | AF Amplifier | AF Amplifier | 8F | SPR | GPA | AF Amplifier | AF Amplifier | 10A | CTP | SD | Photo Use | Photo Use | 10A | SPR | GPA | AF Amplifier | AF Amplifier | 10B | CTP | SD | Photo Use | Photo Use | 10B | SPR | GPA | AF Amplifier | AF Amplifier | 10C | SPR | GPA | AF Amplifier | AF Amplifier | 11A | CTP | SO | Photo Use | Photo Use | 11B | CTP | SD | Photo Use | Photo Use | ZJ | 12 | GE | SNG | AF Amplifier | CK | 13 | RK | GPA | RF Amplifier | ZJ | 13 | GE | GNG | AF Amplifier | MN | 13A | MOT | GPA | AF Amplifier | MN | 13B | MOT | GPA | AF Amplifier | MN | 13C | MOT | GPA | AF Amplifier | ZJ | 13 | GE | GNG | AF Amplifier | CK | 14 | RK | GPA | RF Amplifier | GT | 14 | GTC | GPA | AF Amplifier | RR | 14 | RR | GPA | AF Amplifier | ZJ | 14 | GE | SD | Switching | ZJ | 14H | GTC | GPA | AF Amplifier | OC | 16 | AMP | GPA | AF Power Amp | ZJ | 16 | CK | RR | AF Power Amp | CK | 17 | RR | RR | AF Power Amp | MN | 19 | MOT | GPA | AF Amplifier | GT | 20 | GTC | GPA | AF Amplifier | RR | 20 | RR | GPA | AF Amplifier | GT | 20H | GTC | GPA | AF Amplifier | MN | 21 | MOT | GPA | AF Power Amp | RR | 21 | RR | GPA | AF Amplifier | GT | 24 | GTC | GPA | AF Amplifier | MN | 24 | MOT | GPA | AF Power Amp | MN | 25 | MOT | GPA | AF Power Amp | CK | 26 | RK | MOT | Switching | MN | 26 | MOT | GPA | AF Power Amp | MN | 28 | MOT | GPA | AF Power Amp | MN | 29 | MOT | GPA | AF Power Amp | GT | 34 | GTC | GPA | AF Amplifier | RR | 34 | RR | GPA | AF Amplifier | T | 34A | NU | GPA | AF Amplifier | T | 34B | NU | GPA | AF Amplifier | T | 34C | NU | GPA | AF Amplifier | T | 34D | NU | GPA | AF Amplifier | T | 34E | NU | GPA | AF Amplifier | T | 34F | NU | GPA | AF Amplifier | GT | 34HV | GTC | GPA | Switching | GT | 34S | GTC | GPA | Detector | GT | 38 | GTC | GPA | AF Amplifier | RR | 38 | RR | GPA | AF Amplifier | OC | 44 | AMP | GPA | RF Amplifier | OC | 45 | AMP | GPA | RF Amplifier | OC | 50 | AMP | GC | Oscillator | OC | 51 | AMP | GC | Switching | OC | 65 | AMP | GC | AF Amplifier | CT | 66 | GTC | GPA | Photo Use | OC | 66 | AMP | GPA | AF Amplifier | RR | 66 | RR | SD | AF Amplifier | OC | 70 | AMP | GPA | AF Amplifier | OC | 71 | AMP | GPA | RF Amplifier | OC | 72 | AMP | GMA | AF Amplifier | ZJ | 72 | GE | GNG | VHF Amplifier | OC | 73 | AMP | GPA | AF Amplifier | ZJ | 73 | GE | GNG | AF Amplifier | GT | 74 | GTC | GPA | AF Amplifier | GT | 75 | GTC | GPA | AF Amplifier | OC | 76 | AMP | GPA | Switching | GT | 81 | GTC | GPA | AF Amplifier | GT | 81H | GTC | GPA | AF Amplifier | GT | 81HS | GTC | GPA | AF Amplifier | GT | 82 | GTC | GPA | Switching | GT | 83 | GTC | GPA | Switching | GT | 87 | GTC | GPA | Switching | GT | 88 | GTC | GPA | Switching | DR | 100 | TS | GPA | AF Amplifier | DR | 101 | TS | GPA | AF Amplifier | DR | 102 | TS | GPA | AF Amplifier | GT | 109 | GTC | GPA | AF Amplifier | GT | 122 | GTC | GPA | Switching | GT | 123 | GTC | GPA | Switching | RR | 125 | RR | GPA | AF Amplifier | DR | 126 | TS | GPA | AF Amplifier | DR | 128 | TS | GPA | AF Amplifier | DR | 129 | TS | GPA | General Use | DR | 130 | TS | GPA | General Use | DR | 131 | TS | GPA | General Use | DR | 132 | TS | GPA | General Use | DR | 139 | TS | GPA | General Use | DR | 147 | TS | GPA | AF Power Amp | GT | 153 | GT | GPA | Switching | DR | 154 | TS | GPA | General Use | DR | 155 | TS | GPA | General Use | TS | 161 | TS | GMA | AF Amplifier | TS | 162 | TS | GMA | General Use | TS | 163 | TS | GPA | AF Amplifier | TS | 164 | TS | GPA | AF Amplifier | TS | 165 | TS | GPA | AF Amplifier | TS | 166 | TS | GPA | AF Amplifier | GT | 167 | GTC | GPA | Switching | TS | 176 | TS | GPA | AF Power Amp | 200 | TI | GNG | GPA | General Use | 201 | TI | GNG | GPA | General Use | 202 | TI | GNG | GPA | General Use | 206 | TI | GNG | GPA | AF Amplifier | 207 | TI | GNG | GPA | AF Amplifier | 208 | TI | GNG | GPA | AF Amplifier | GT | 210 | GTC | GPA | Switching | 210 | TI | GNG | GPA | AF Amplifier | 220 | TI | GNG | GPA | AF Amplifier | 221 | TI | GNG | GPA | IF Amplifier | GT | 222 | GTC | GPA | General Use | 222 | TI | GNG | GPA | IF Amplifier | 223 | TI | GNG | GPA | Converter | 224 | TI | GNG | GPA | Detector | 225 | TI | GNG | GPA | IF Amplifier | 227 | TI | GNG | GPA | IF Amplifier | 228 | TI | GNG | GPA | Detector | GT | 229 | GTC | GNA | AF Amplifier | 234 | TI | CNA | IF Amplifier | IF Amplifier | 235 | TI | GNA | GPA | Converter | GT | 269 | GTC | GPA | RF Amplifier | 301 | TI | GPA | AF Amplifier | AF Amplifier | 302 | TI | GPA | AF Amplifier | AF Amplifier | 310 | TI | GPA | AF Amplifier | AF Amplifier | 310 | TI | GPA | AF Amplifier | AF Amplifier | | | | | | | | | | | | | | | | | | | | | | | | | | | | | | | | | | | | | | | | | | | | | | | | | | | | | | | | | | | | | | | | | | | | | | | | | | | | | | | | | | | | | | | | | | | | | | | | | | | | | | | | | | | | | | | | | | | | | | | | | | | | | | | | | | | | | | | | | | | | | | | | | | | | | | | | | | | | | | | | | | | | | | | | | | | | | | | | | | | | | | | | | | | | | | | | | | | | | | | | | | | | | | | | | | |
| 2N1481 | RCA | SNJ | Power Switch | Power Switch | 2N1482 | RCA | SNJ | Power Switch | Power Switch | 2N1483 | RCA | SNJ | Power Switch | Power Switch | 2N1484 | RCA | SNJ | Power Switch | Power Switch | 2N1485 | RCA | SNJ | Power Switch | Power Switch | 2N1486 | RCA | SNJ | Power Switch | Power Switch | 2N1487 | RCA | SNJ | Power Switch | Power Switch | 2N1488 | RCA | SNJ | Power Switch | Power Switch | 2N1489 | RCA | SNJ | Power Switch | Power Switch | 2N1490 | RCA | SNJ | Power Switch | Power Switch | 3N22 | WHI | GNG | RF Amplifier | RF Amplifier | 3N23 | BOG | GNG | RF Amplifier | RF Amplifier | 3N23A | BOG | GNG | RF Amplifier | RF Amplifier | 3N23B | BOG | GNG | RF Amplifier | RF Amplifier | 3N23C | BOG | GNG | RF Amplifier | RF Amplifier | 3N25 | TI | GPJ | VHF Amp | VHF Amp | 3N26 | TI | SNG | RF Amplifier | RF Amplifier | 3N27 | TI | SNG | RF Amplifier | RF Amplifier | 3N29 | GE | GNA | RF Amplifier | RF Amplifier | 3N30 | GE | GNA | RF Amplifier | RF Amplifier | 3N31 | GE | GNA | RF Amplifier | RF Amplifier | 3N32 | TI | SNG | RF Amplifier | RF Amplifier | 3N33 | TI | SNG | RF Amplifier | RF Amplifier | 3N34 | TI | SNG | RF Amplifier | RF Amplifier | 3N35 | TI | SNG | RF Amplifier | RF Amplifier | 3N36 | GE | GNG | RF Amplifier | RF Amplifier | 3N37 | GE | GNG | RF Amplifier | RF Amplifier | 4JD1B2 | GE | GPA | Switching | Switching | 4JD1B3 | GE | GPA | Switching | Switching | 4JD1B4 | GE | GPA | Switching | Switching | 4JD4A2 | GE | GNG | IF Amplifier | IF Amplifier | 4JD4A3 | GE | GNG | Switching | Switching | 4JD4A4 | GE | GNG | IF Amplifier | IF Amplifier | 4JD4A5 | GE | GNG | RF Amplifier | RF Amplifier | 5A | SPR | GC | Switching | Switching | 5B | CTP | SD | Photo Use | Photo Use | 5C | CTP | SD | Photo Use | Photo Use | 8D | SPR | GPA | AF Amplifier | AF Amplifier | 8E | SPR | GPA | AF Amplifier | AF Amplifier | 8F | SPR | GPA | AF Amplifier | AF Amplifier | 10A | CTP | SD | Photo Use | Photo Use | 10A | SPR | GPA | AF Amplifier | AF Amplifier | 10B | CTP | SD | Photo Use | Photo Use | 10B | SPR | GPA | AF Amplifier | AF Amplifier | 10C | SPR | GPA | AF Amplifier | AF Amplifier | 11A | CTP | SO | Photo Use | Photo Use | 11B | CTP | SD | Photo Use | Photo Use | ZJ | 12 | GE | SNG | AF Amplifier | CK | 13 | RK | GPA | RF Amplifier | ZJ | 13 | GE | GNG | AF Amplifier | MN | 13A | MOT | GPA | AF Amplifier | MN | 13B | MOT | GPA | AF Amplifier | MN | 13C | MOT | GPA | AF Amplifier | ZJ | 13 | GE | GNG | AF Amplifier | CK | 14 | RK | GPA | RF Amplifier | GT | 14 | GTC | GPA | AF Amplifier | RR | 14 | RR | GPA | AF Amplifier | ZJ | 14 | GE | SD | Switching | ZJ | 14H | GTC | GPA | AF Amplifier | OC | 16 | AMP | GPA | AF Power Amp | ZJ | 16 | CK | RR | AF Power Amp | CK | 17 | RR | RR | AF Power Amp | MN | 19 | MOT | GPA | AF Amplifier | GT | 20 | GTC | GPA | AF Amplifier | RR | 20 | RR | GPA | AF Amplifier | GT | 20H | GTC | GPA | AF Amplifier | MN | 21 | MOT | GPA | AF Power Amp | RR | 21 | RR | GPA | AF Amplifier | GT | 24 | GTC | GPA | AF Amplifier | MN | 24 | MOT | GPA | AF Power Amp | MN | 25 | MOT | GPA | AF Power Amp | CK | 26 | RK | MOT | Switching | MN | 26 | MOT | GPA | AF Power Amp | MN | 28 | MOT | GPA | AF Power Amp | MN | 29 | MOT | GPA | AF Power Amp | GT | 34 | GTC | GPA | AF Amplifier | RR | 34 | RR | GPA | AF Amplifier | T | 34A | NU | GPA | AF Amplifier | T | 34B | NU | GPA | AF Amplifier | T | 34C | NU | GPA | AF Amplifier | T | 34D | NU | GPA | AF Amplifier | T | 34E | NU | GPA | AF Amplifier | T | 34F | NU | GPA | AF Amplifier | GT | 34HV | GTC | GPA | Switching | GT | 34S | GTC | GPA | Detector | GT | 38 | GTC | GPA | AF Amplifier | RR | 38 | RR | GPA | AF Amplifier | OC | 44 | AMP | GPA | RF Amplifier | OC | 45 | AMP | GPA | RF Amplifier | OC | 50 | AMP | GC | Oscillator | OC | 51 | AMP | GC | Switching | OC | 65 | AMP | GC | AF Amplifier | CT | 66 | GTC | GPA | Photo Use | OC | 66 | AMP | GPA | AF Amplifier | RR | 66 | RR | SD | AF Amplifier | OC | 70 | AMP | GPA | AF Amplifier | OC | 71 | AMP | GPA | RF Amplifier | OC | 72 | AMP | GMA | AF Amplifier | ZJ | 72 | GE | GNG | VHF Amplifier | OC | 73 | AMP | GPA | AF Amplifier | ZJ | 73 | GE | GNG | AF Amplifier | GT | 74 | GTC | GPA | AF Amplifier | GT | 75 | GTC | GPA | AF Amplifier | OC | 76 | AMP | GPA | Switching | GT | 81 | GTC | GPA | AF Amplifier | GT | 81H | GTC | GPA | AF Amplifier | GT | 81HS | GTC | GPA | AF Amplifier | GT | 82 | GTC | GPA | Switching | GT | 83 | GTC | GPA | Switching | GT | 87 | GTC | GPA | Switching | GT | 88 | GTC | GPA | Switching | DR | 100 | TS | GPA | AF Amplifier | DR | 101 | TS | GPA | AF Amplifier | DR | 102 | TS | GPA | AF Amplifier | GT | 109 | GTC | GPA | AF Amplifier | GT | 122 | GTC | GPA | Switching | GT | 123 | GTC | GPA | Switching | RR | 125 | RR | GPA | AF Amplifier | DR | 126 | TS | GPA | AF Amplifier | DR | 128 | TS | GPA | AF Amplifier | DR | 129 | TS | GPA | General Use | DR | 130 | TS | GPA | General Use | DR | 131 | TS | GPA | General Use | DR | 132 | TS | GPA | General Use | DR | 139 | TS | GPA | General Use | DR | 147 | TS | GPA | AF Power Amp | GT | 153 | GT | GPA | Switching | DR | 154 | TS | GPA | General Use | DR | 155 | TS | GPA | General Use | TS | 161 | TS | GMA | AF Amplifier | TS | 162 | TS | GMA | General Use | TS | 163 | TS | GPA | AF Amplifier | TS | 164 | TS | GPA | AF Amplifier | TS | 165 | TS | GPA | AF Amplifier | TS | 166 | TS | GPA | AF Amplifier | GT | 167 | GTC | GPA | Switching | TS | 176 | TS | GPA | AF Power Amp | 200 | TI | GNG | GPA | General Use | 201 | TI | GNG | GPA | General Use | 202 | TI | GNG | GPA | General Use | 206 | TI | GNG | GPA | AF Amplifier | 207 | TI | GNG | GPA | AF Amplifier | 208 | TI | GNG | GPA | AF Amplifier | GT | 210 | GTC | GPA | Switching | 210 | TI | GNG | GPA | AF Amplifier | 220 | TI | GNG | GPA | AF Amplifier | 221 | TI | GNG | GPA | IF Amplifier | GT | 222 | GTC | GPA | General Use | 222 | TI | GNG | GPA | IF Amplifier | 223 | TI | GNG | GPA | Converter | 224 | TI | GNG | GPA | Detector | 225 | TI | GNG | GPA | IF Amplifier | 227 | TI | GNG | GPA | IF Amplifier | 228 | TI | GNG | GPA | Detector | GT | 229 | GTC | GNA | AF Amplifier | 234 | TI | CNA | IF Amplifier | IF Amplifier | 235 | TI | GNA | GPA | Converter | GT | 269 | GTC | GPA | RF Amplifier | 301 | TI | GPA | AF Amplifier | AF Amplifier | 302 | TI | GPA | AF Amplifier | AF Amplifier | 310 | TI | GPA | AF Amplifier | AF Amplifier | 310 | TI | GPA | AF Amplifier | AF Amplifier | | | | | | | | | | | | | | | | | | | | | | | | | | | | | | | | | | | | | | | | | | | | | | | | | | | | | | | | | | | | | | | | | | | | | | | | | | | | | | | | | | | | | | | | | | | | | | | | | | | | | | | | | | | | | | | | | | | | | | | | | | | | | | | | | | | | | | | | | | | | | | | | | | | | | | | | | | | | | | | | | | | | | | | | | | | | | | | | | | | | | | | | | | | | | | | | | | | | | | | | | | | | | | | | | | | | | | | |
| 2N1482 | RCA | SNJ | Power Switch | Power Switch | 2N1483 | RCA | SNJ | Power Switch | Power Switch | 2N1484 | RCA | SNJ | Power Switch | Power Switch | 2N1485 | RCA | SNJ | Power Switch | Power Switch | 2N1486 | RCA | SNJ | Power Switch | Power Switch | 2N1487 | RCA | SNJ | Power Switch | Power Switch | 2N1488 | RCA | SNJ | Power Switch | Power Switch | 2N1489 | RCA | SNJ | Power Switch | Power Switch | 2N1490 | RCA | SNJ | Power Switch | Power Switch | 3N22 | WHI | GNG | RF Amplifier | RF Amplifier | 3N23 | BOG | GNG | RF Amplifier | RF Amplifier | 3N23A | BOG | GNG | RF Amplifier | RF Amplifier | 3N23B | BOG | GNG | RF Amplifier | RF Amplifier | 3N23C | BOG | GNG | RF Amplifier | RF Amplifier | 3N25 | TI | GPJ | VHF Amp | VHF Amp | 3N26 | TI | SNG | RF Amplifier | RF Amplifier | 3N27 | TI | SNG | RF Amplifier | RF Amplifier | 3N29 | GE | GNA | RF Amplifier | RF Amplifier | 3N30 | GE | GNA | RF Amplifier | RF Amplifier | 3N31 | GE | GNA | RF Amplifier | RF Amplifier | 3N32 | TI | SNG | RF Amplifier | RF Amplifier | 3N33 | TI | SNG | RF Amplifier | RF Amplifier | 3N34 | TI | SNG | RF Amplifier | RF Amplifier | 3N35 | TI | SNG | RF Amplifier | RF Amplifier | 3N36 | GE | GNG | RF Amplifier | RF Amplifier | 3N37 | GE | GNG | RF Amplifier | RF Amplifier | 4JD1B2 | GE | GPA | Switching | Switching | 4JD1B3 | GE | GPA | Switching | Switching | 4JD1B4 | GE | GPA | Switching | Switching | 4JD4A2 | GE | GNG | IF Amplifier | IF Amplifier | 4JD4A3 | GE | GNG | Switching | Switching | 4JD4A4 | GE | GNG | IF Amplifier | IF Amplifier | 4JD4A5 | GE | GNG | RF Amplifier | RF Amplifier | 5A | SPR | GC | Switching | Switching | 5B | CTP | SD | Photo Use | Photo Use | 5C | CTP | SD | Photo Use | Photo Use | 8D | SPR | GPA | AF Amplifier | AF Amplifier | 8E | SPR | GPA | AF Amplifier | AF Amplifier | 8F | SPR | GPA | AF Amplifier | AF Amplifier | 10A | CTP | SD | Photo Use | Photo Use | 10A | SPR | GPA | AF Amplifier | AF Amplifier | 10B | CTP | SD | Photo Use | Photo Use | 10B | SPR | GPA | AF Amplifier | AF Amplifier | 10C | SPR | GPA | AF Amplifier | AF Amplifier | 11A | CTP | SO | Photo Use | Photo Use | 11B | CTP | SD | Photo Use | Photo Use | ZJ | 12 | GE | SNG | AF Amplifier | CK | 13 | RK | GPA | RF Amplifier | ZJ | 13 | GE | GNG | AF Amplifier | MN | 13A | MOT | GPA | AF Amplifier | MN | 13B | MOT | GPA | AF Amplifier | MN | 13C | MOT | GPA | AF Amplifier | ZJ | 13 | GE | GNG | AF Amplifier | CK | 14 | RK | GPA | RF Amplifier | GT | 14 | GTC | GPA | AF Amplifier | RR | 14 | RR | GPA | AF Amplifier | ZJ | 14 | GE | SD | Switching | ZJ | 14H | GTC | GPA | AF Amplifier | OC | 16 | AMP | GPA | AF Power Amp | ZJ | 16 | CK | RR | AF Power Amp | CK | 17 | RR | RR | AF Power Amp | MN | 19 | MOT | GPA | AF Amplifier | GT | 20 | GTC | GPA | AF Amplifier | RR | 20 | RR | GPA | AF Amplifier | GT | 20H | GTC | GPA | AF Amplifier | MN | 21 | MOT | GPA | AF Power Amp | RR | 21 | RR | GPA | AF Amplifier | GT | 24 | GTC | GPA | AF Amplifier | MN | 24 | MOT | GPA | AF Power Amp | MN | 25 | MOT | GPA | AF Power Amp | CK | 26 | RK | MOT | Switching | MN | 26 | MOT | GPA | AF Power Amp | MN | 28 | MOT | GPA | AF Power Amp | MN | 29 | MOT | GPA | AF Power Amp | GT | 34 | GTC | GPA | AF Amplifier | RR | 34 | RR | GPA | AF Amplifier | T | 34A | NU | GPA | AF Amplifier | T | 34B | NU | GPA | AF Amplifier | T | 34C | NU | GPA | AF Amplifier | T | 34D | NU | GPA | AF Amplifier | T | 34E | NU | GPA | AF Amplifier | T | 34F | NU | GPA | AF Amplifier | GT | 34HV | GTC | GPA | Switching | GT | 34S | GTC | GPA | Detector | GT | 38 | GTC | GPA | AF Amplifier | RR | 38 | RR | GPA | AF Amplifier | OC | 44 | AMP | GPA | RF Amplifier | OC | 45 | AMP | GPA | RF Amplifier | OC | 50 | AMP | GC | Oscillator | OC | 51 | AMP | GC | Switching | OC | 65 | AMP | GC | AF Amplifier | CT | 66 | GTC | GPA | Photo Use | OC | 66 | AMP | GPA | AF Amplifier | RR | 66 | RR | SD | AF Amplifier | OC | 70 | AMP | GPA | AF Amplifier | OC | 71 | AMP | GPA | RF Amplifier | OC | 72 | AMP | GMA | AF Amplifier | ZJ | 72 | GE | GNG | VHF Amplifier | OC | 73 | AMP | GPA | AF Amplifier | ZJ | 73 | GE | GNG | AF Amplifier | GT | 74 | GTC | GPA | AF Amplifier | GT | 75 | GTC | GPA | AF Amplifier | OC | 76 | AMP | GPA | Switching | GT | 81 | GTC | GPA | AF Amplifier | GT | 81H | GTC | GPA | AF Amplifier | GT | 81HS | GTC | GPA | AF Amplifier | GT | 82 | GTC | GPA | Switching | GT | 83 | GTC | GPA | Switching | GT | 87 | GTC | GPA | Switching | GT | 88 | GTC | GPA | Switching | DR | 100 | TS | GPA | AF Amplifier | DR | 101 | TS | GPA | AF Amplifier | DR | 102 | TS | GPA | AF Amplifier | GT | 109 | GTC | GPA | AF Amplifier | GT | 122 | GTC | GPA | Switching | GT | 123 | GTC | GPA | Switching | RR | 125 | RR | GPA | AF Amplifier | DR | 126 | TS | GPA | AF Amplifier | DR | 128 | TS | GPA | AF Amplifier | DR | 129 | TS | GPA | General Use | DR | 130 | TS | GPA | General Use | DR | 131 | TS | GPA | General Use | DR | 132 | TS | GPA | General Use | DR | 139 | TS | GPA | General Use | DR | 147 | TS | GPA | AF Power Amp | GT | 153 | GT | GPA | Switching | DR | 154 | TS | GPA | General Use | DR | 155 | TS | GPA | General Use | TS | 161 | TS | GMA | AF Amplifier | TS | 162 | TS | GMA | General Use | TS | 163 | TS | GPA | AF Amplifier | TS | 164 | TS | GPA | AF Amplifier | TS | 165 | TS | GPA | AF Amplifier | TS | 166 | TS | GPA | AF Amplifier | GT | 167 | GTC | GPA | Switching | TS | 176 | TS | GPA | AF Power Amp | 200 | TI | GNG | GPA | General Use | 201 | TI | GNG | GPA | General Use | 202 | TI | GNG | GPA | General Use | 206 | TI | GNG | GPA | AF Amplifier | 207 | TI | GNG | GPA | AF Amplifier | 208 | TI | GNG | GPA | AF Amplifier | GT | 210 | GTC | GPA | Switching | 210 | TI | GNG | GPA | AF Amplifier | 220 | TI | GNG | GPA | AF Amplifier | 221 | TI | GNG | GPA | IF Amplifier | GT | 222 | GTC | GPA | General Use | 222 | TI | GNG | GPA | IF Amplifier | 223 | TI | GNG | GPA | Converter | 224 | TI | GNG | GPA | Detector | 225 | TI | GNG | GPA | IF Amplifier | 227 | TI | GNG | GPA | IF Amplifier | 228 | TI | GNG | GPA | Detector | GT | 229 | GTC | GNA | AF Amplifier | 234 | TI | CNA | IF Amplifier | IF Amplifier | 235 | TI | GNA | GPA | Converter | GT | 269 | GTC | GPA | RF Amplifier | 301 | TI | GPA | AF Amplifier | AF Amplifier | 302 | TI | GPA | AF Amplifier | AF Amplifier | 310 | TI | GPA | AF Amplifier | AF Amplifier | 310 | TI | GPA | AF Amplifier | AF Amplifier | | | | | | | | | | | | | | | | | | | | | | | | | | | | | | | | | | | | | | | | | | | | | | | | | | | | | | | | | | | | | | | | | | | | | | | | | | | | | | | | | | | | | | | | | | | | | | | | | | | | | | | | | | | | | | | | | | | | | | | | | | | | | | | | | | | | | | | | | | | | | | | | | | | | | | | | | | | | | | | | | | | | | | | | | | | | | | | | | | | | | | | | | | | | | | | | | | | | | | | | | | | | | | | | | | | | | | | | | | | | |
| 2N1483 | RCA | SNJ | Power Switch | Power Switch | 2N1484 | RCA | SNJ | Power Switch | Power Switch | 2N1485 | RCA | SNJ | Power Switch | Power Switch | 2N1486 | RCA | SNJ | Power Switch | Power Switch | 2N1487 | RCA | SNJ | Power Switch | Power Switch | 2N1488 | RCA | SNJ | Power Switch | Power Switch | 2N1489 | RCA | SNJ | Power Switch | Power Switch | 2N1490 | RCA | SNJ | Power Switch | Power Switch | 3N22 | WHI | GNG | RF Amplifier | RF Amplifier | 3N23 | BOG | GNG | RF Amplifier | RF Amplifier | 3N23A | BOG | GNG | RF Amplifier | RF Amplifier | 3N23B | BOG | GNG | RF Amplifier | RF Amplifier | 3N23C | BOG | GNG | RF Amplifier | RF Amplifier | 3N25 | TI | GPJ | VHF Amp | VHF Amp | 3N26 | TI | SNG | RF Amplifier | RF Amplifier | 3N27 | TI | SNG | RF Amplifier | RF Amplifier | 3N29 | GE | GNA | RF Amplifier | RF Amplifier | 3N30 | GE | GNA | RF Amplifier | RF Amplifier | 3N31 | GE | GNA | RF Amplifier | RF Amplifier | 3N32 | TI | SNG | RF Amplifier | RF Amplifier | 3N33 | TI | SNG | RF Amplifier | RF Amplifier | 3N34 | TI | SNG | RF Amplifier | RF Amplifier | 3N35 | TI | SNG | RF Amplifier | RF Amplifier | 3N36 | GE | GNG | RF Amplifier | RF Amplifier | 3N37 | GE | GNG | RF Amplifier | RF Amplifier | 4JD1B2 | GE | GPA | Switching | Switching | 4JD1B3 | GE | GPA | Switching | Switching | 4JD1B4 | GE | GPA | Switching | Switching | 4JD4A2 | GE | GNG | IF Amplifier | IF Amplifier | 4JD4A3 | GE | GNG | Switching | Switching | 4JD4A4 | GE | GNG | IF Amplifier | IF Amplifier | 4JD4A5 | GE | GNG | RF Amplifier | RF Amplifier | 5A | SPR | GC | Switching | Switching | 5B | CTP | SD | Photo Use | Photo Use | 5C | CTP | SD | Photo Use | Photo Use | 8D | SPR | GPA | AF Amplifier | AF Amplifier | 8E | SPR | GPA | AF Amplifier | AF Amplifier | 8F | SPR | GPA | AF Amplifier | AF Amplifier | 10A | CTP | SD | Photo Use | Photo Use | 10A | SPR | GPA | AF Amplifier | AF Amplifier | 10B | CTP | SD | Photo Use | Photo Use | 10B | SPR | GPA | AF Amplifier | AF Amplifier | 10C | SPR | GPA | AF Amplifier | AF Amplifier | 11A | CTP | SO | Photo Use | Photo Use | 11B | CTP | SD | Photo Use | Photo Use | ZJ | 12 | GE | SNG | AF Amplifier | CK | 13 | RK | GPA | RF Amplifier | ZJ | 13 | GE | GNG | AF Amplifier | MN | 13A | MOT | GPA | AF Amplifier | MN | 13B | MOT | GPA | AF Amplifier | MN | 13C | MOT | GPA | AF Amplifier | ZJ | 13 | GE | GNG | AF Amplifier | CK | 14 | RK | GPA | RF Amplifier | GT | 14 | GTC | GPA | AF Amplifier | RR | 14 | RR | GPA | AF Amplifier | ZJ | 14 | GE | SD | Switching | ZJ | 14H | GTC | GPA | AF Amplifier | OC | 16 | AMP | GPA | AF Power Amp | ZJ | 16 | CK | RR | AF Power Amp | CK | 17 | RR | RR | AF Power Amp | MN | 19 | MOT | GPA | AF Amplifier | GT | 20 | GTC | GPA | AF Amplifier | RR | 20 | RR | GPA | AF Amplifier | GT | 20H | GTC | GPA | AF Amplifier | MN | 21 | MOT | GPA | AF Power Amp | RR | 21 | RR | GPA | AF Amplifier | GT | 24 | GTC | GPA | AF Amplifier | MN | 24 | MOT | GPA | AF Power Amp | MN | 25 | MOT | GPA | AF Power Amp | CK | 26 | RK | MOT | Switching | MN | 26 | MOT | GPA | AF Power Amp | MN | 28 | MOT | GPA | AF Power Amp | MN | 29 | MOT | GPA | AF Power Amp | GT | 34 | GTC | GPA | AF Amplifier | RR | 34 | RR | GPA | AF Amplifier | T | 34A | NU | GPA | AF Amplifier | T | 34B | NU | GPA | AF Amplifier | T | 34C | NU | GPA | AF Amplifier | T | 34D | NU | GPA | AF Amplifier | T | 34E | NU | GPA | AF Amplifier | T | 34F | NU | GPA | AF Amplifier | GT | 34HV | GTC | GPA | Switching | GT | 34S | GTC | GPA | Detector | GT | 38 | GTC | GPA | AF Amplifier | RR | 38 | RR | GPA | AF Amplifier | OC | 44 | AMP | GPA | RF Amplifier | OC | 45 | AMP | GPA | RF Amplifier | OC | 50 | AMP | GC | Oscillator | OC | 51 | AMP | GC | Switching | OC | 65 | AMP | GC | AF Amplifier | CT | 66 | GTC | GPA | Photo Use | OC | 66 | AMP | GPA | AF Amplifier | RR | 66 | RR | SD | AF Amplifier | OC | 70 | AMP | GPA | AF Amplifier | OC | 71 | AMP | GPA | RF Amplifier | OC | 72 | AMP | GMA | AF Amplifier | ZJ | 72 | GE | GNG | VHF Amplifier | OC | 73 | AMP | GPA | AF Amplifier | ZJ | 73 | GE | GNG | AF Amplifier | GT | 74 | GTC | GPA | AF Amplifier | GT | 75 | GTC | GPA | AF Amplifier | OC | 76 | AMP | GPA | Switching | GT | 81 | GTC | GPA | AF Amplifier | GT | 81H | GTC | GPA | AF Amplifier | GT | 81HS | GTC | GPA | AF Amplifier | GT | 82 | GTC | GPA | Switching | GT | 83 | GTC | GPA | Switching | GT | 87 | GTC | GPA | Switching | GT | 88 | GTC | GPA | Switching | DR | 100 | TS | GPA | AF Amplifier | DR | 101 | TS | GPA | AF Amplifier | DR | 102 | TS | GPA | AF Amplifier | GT | 109 | GTC | GPA | AF Amplifier | GT | 122 | GTC | GPA | Switching | GT | 123 | GTC | GPA | Switching | RR | 125 | RR | GPA | AF Amplifier | DR | 126 | TS | GPA | AF Amplifier | DR | 128 | TS | GPA | AF Amplifier | DR | 129 | TS | GPA | General Use | DR | 130 | TS | GPA | General Use | DR | 131 | TS | GPA | General Use | DR | 132 | TS | GPA | General Use | DR | 139 | TS | GPA | General Use | DR | 147 | TS | GPA | AF Power Amp | GT | 153 | GT | GPA | Switching | DR | 154 | TS | GPA | General Use | DR | 155 | TS | GPA | General Use | TS | 161 | TS | GMA | AF Amplifier | TS | 162 | TS | GMA | General Use | TS | 163 | TS | GPA | AF Amplifier | TS | 164 | TS | GPA | AF Amplifier | TS | 165 | TS | GPA | AF Amplifier | TS | 166 | TS | GPA | AF Amplifier | GT | 167 | GTC | GPA | Switching | TS | 176 | TS | GPA | AF Power Amp | 200 | TI | GNG | GPA | General Use | 201 | TI | GNG | GPA | General Use | 202 | TI | GNG | GPA | General Use | 206 | TI | GNG | GPA | AF Amplifier | 207 | TI | GNG | GPA | AF Amplifier | 208 | TI | GNG | GPA | AF Amplifier | GT | 210 | GTC | GPA | Switching | 210 | TI | GNG | GPA | AF Amplifier | 220 | TI | GNG | GPA | AF Amplifier | 221 | TI | GNG | GPA | IF Amplifier | GT | 222 | GTC | GPA | General Use | 222 | TI | GNG | GPA | IF Amplifier | 223 | TI | GNG | GPA | Converter | 224 | TI | GNG | GPA | Detector | 225 | TI | GNG | GPA | IF Amplifier | 227 | TI | GNG | GPA | IF Amplifier | 228 | TI | GNG | GPA | Detector | GT | 229 | GTC | GNA | AF Amplifier | 234 | TI | CNA | IF Amplifier | IF Amplifier | 235 | TI | GNA | GPA | Converter | GT | 269 | GTC | GPA | RF Amplifier | 301 | TI | GPA | AF Amplifier | AF Amplifier | 302 | TI | GPA | AF Amplifier | AF Amplifier | 310 | TI | GPA | AF Amplifier | AF Amplifier | 310 | TI | GPA | AF Amplifier | AF Amplifier | | | | | | | | | | | | | | | | | | | | | | | | | | | | | | | | | | | | | | | | | | | | | | | | | | | | | | | | | | | | | | | | | | | | | | | | | | | | | | | | | | | | | | | | | | | | | | | | | | | | | | | | | | | | | | | | | | | | | | | | | | | | | | | | | | | | | | | | | | | | | | | | | | | | | | | | | | | | | | | | | | | | | | | | | | | | | | | | | | | | | | | | | | | | | | | | | | | | | | | | | | | | | | | | | | | | | | | | | | | | | | | | | |
| 2N1484 | RCA | SNJ | Power Switch | Power Switch | 2N1485 | RCA | SNJ | Power Switch | Power Switch | 2N1486 | RCA | SNJ | Power Switch | Power Switch | 2N1487 | RCA | SNJ | Power Switch | Power Switch | 2N1488 | RCA | SNJ | Power Switch | Power Switch | 2N1489 | RCA | SNJ | Power Switch | Power Switch | 2N1490 | RCA | SNJ | Power Switch | Power Switch | 3N22 | WHI | GNG | RF Amplifier | RF Amplifier | 3N23 | BOG | GNG | RF Amplifier | RF Amplifier | 3N23A | BOG | GNG | RF Amplifier | RF Amplifier | 3N23B | BOG | GNG | RF Amplifier | RF Amplifier | 3N23C | BOG | GNG | RF Amplifier | RF Amplifier | 3N25 | TI | GPJ | VHF Amp | VHF Amp | 3N26 | TI | SNG | RF Amplifier | RF Amplifier | 3N27 | TI | SNG | RF Amplifier | RF Amplifier | 3N29 | GE | GNA | RF Amplifier | RF Amplifier | 3N30 | GE | GNA | RF Amplifier | RF Amplifier | 3N31 | GE | GNA | RF Amplifier | RF Amplifier | 3N32 | TI | SNG | RF Amplifier | RF Amplifier | 3N33 | TI | SNG | RF Amplifier | RF Amplifier | 3N34 | TI | SNG | RF Amplifier | RF Amplifier | 3N35 | TI | SNG | RF Amplifier | RF Amplifier | 3N36 | GE | GNG | RF Amplifier | RF Amplifier | 3N37 | GE | GNG | RF Amplifier | RF Amplifier | 4JD1B2 | GE | GPA | Switching | Switching | 4JD1B3 | GE | GPA | Switching | Switching | 4JD1B4 | GE | GPA | Switching | Switching | 4JD4A2 | GE | GNG | IF Amplifier | IF Amplifier | 4JD4A3 | GE | GNG | Switching | Switching | 4JD4A4 | GE | GNG | IF Amplifier | IF Amplifier | 4JD4A5 | GE | GNG | RF Amplifier | RF Amplifier | 5A | SPR | GC | Switching | Switching | 5B | CTP | SD | Photo Use | Photo Use | 5C | CTP | SD | Photo Use | Photo Use | 8D | SPR | GPA | AF Amplifier | AF Amplifier | 8E | SPR | GPA | AF Amplifier | AF Amplifier | 8F | SPR | GPA | AF Amplifier | AF Amplifier | 10A | CTP | SD | Photo Use | Photo Use | 10A | SPR | GPA | AF Amplifier | AF Amplifier | 10B | CTP | SD | Photo Use | Photo Use | 10B | SPR | GPA | AF Amplifier | AF Amplifier | 10C | SPR | GPA | AF Amplifier | AF Amplifier | 11A | CTP | SO | Photo Use | Photo Use | 11B | CTP | SD | Photo Use | Photo Use | ZJ | 12 | GE | SNG | AF Amplifier | CK | 13 | RK | GPA | RF Amplifier | ZJ | 13 | GE | GNG | AF Amplifier | MN | 13A | MOT | GPA | AF Amplifier | MN | 13B | MOT | GPA | AF Amplifier | MN | 13C | MOT | GPA | AF Amplifier | ZJ | 13 | GE | GNG | AF Amplifier | CK | 14 | RK | GPA | RF Amplifier | GT | 14 | GTC | GPA | AF Amplifier | RR | 14 | RR | GPA | AF Amplifier | ZJ | 14 | GE | SD | Switching | ZJ | 14H | GTC | GPA | AF Amplifier | OC | 16 | AMP | GPA | AF Power Amp | ZJ | 16 | CK | RR | AF Power Amp | CK | 17 | RR | RR | AF Power Amp | MN | 19 | MOT | GPA | AF Amplifier | GT | 20 | GTC | GPA | AF Amplifier | RR | 20 | RR | GPA | AF Amplifier | GT | 20H | GTC | GPA | AF Amplifier | MN | 21 | MOT | GPA | AF Power Amp | RR | 21 | RR | GPA | AF Amplifier | GT | 24 | GTC | GPA | AF Amplifier | MN | 24 | MOT | GPA | AF Power Amp | MN | 25 | MOT | GPA | AF Power Amp | CK | 26 | RK | MOT | Switching | MN | 26 | MOT | GPA | AF Power Amp | MN | 28 | MOT | GPA | AF Power Amp | MN | 29 | MOT | GPA | AF Power Amp | GT | 34 | GTC | GPA | AF Amplifier | RR | 34 | RR | GPA | AF Amplifier | T | 34A | NU | GPA | AF Amplifier | T | 34B | NU | GPA | AF Amplifier | T | 34C | NU | GPA | AF Amplifier | T | 34D | NU | GPA | AF Amplifier | T | 34E | NU | GPA | AF Amplifier | T | 34F | NU | GPA | AF Amplifier | GT | 34HV | GTC | GPA | Switching | GT | 34S | GTC | GPA | Detector | GT | 38 | GTC | GPA | AF Amplifier | RR | 38 | RR | GPA | AF Amplifier | OC | 44 | AMP | GPA | RF Amplifier | OC | 45 | AMP | GPA | RF Amplifier | OC | 50 | AMP | GC | Oscillator | OC | 51 | AMP | GC | Switching | OC | 65 | AMP | GC | AF Amplifier | CT | 66 | GTC | GPA | Photo Use | OC | 66 | AMP | GPA | AF Amplifier | RR | 66 | RR | SD | AF Amplifier | OC | 70 | AMP | GPA | AF Amplifier | OC | 71 | AMP | GPA | RF Amplifier | OC | 72 | AMP | GMA | AF Amplifier | ZJ | 72 | GE | GNG | VHF Amplifier | OC | 73 | AMP | GPA | AF Amplifier | ZJ | 73 | GE | GNG | AF Amplifier | GT | 74 | GTC | GPA | AF Amplifier | GT | 75 | GTC | GPA | AF Amplifier | OC | 76 | AMP | GPA | Switching | GT | 81 | GTC | GPA | AF Amplifier | GT | 81H | GTC | GPA | AF Amplifier | GT | 81HS | GTC | GPA | AF Amplifier | GT | 82 | GTC | GPA | Switching | GT | 83 | GTC | GPA | Switching | GT | 87 | GTC | GPA | Switching | GT | 88 | GTC | GPA | Switching | DR | 100 | TS | GPA | AF Amplifier | DR | 101 | TS | GPA | AF Amplifier | DR | 102 | TS | GPA | AF Amplifier | GT | 109 | GTC | GPA | AF Amplifier | GT | 122 | GTC | GPA | Switching | GT | 123 | GTC | GPA | Switching | RR | 125 | RR | GPA | AF Amplifier | DR | 126 | TS | GPA | AF Amplifier | DR | 128 | TS | GPA | AF Amplifier | DR | 129 | TS | GPA | General Use | DR | 130 | TS | GPA | General Use | DR | 131 | TS | GPA | General Use | DR | 132 | TS | GPA | General Use | DR | 139 | TS | GPA | General Use | DR | 147 | TS | GPA | AF Power Amp | GT | 153 | GT | GPA | Switching | DR | 154 | TS | GPA | General Use | DR | 155 | TS | GPA | General Use | TS | 161 | TS | GMA | AF Amplifier | TS | 162 | TS | GMA | General Use | TS | 163 | TS | GPA | AF Amplifier | TS | 164 | TS | GPA | AF Amplifier | TS | 165 | TS | GPA | AF Amplifier | TS | 166 | TS | GPA | AF Amplifier | GT | 167 | GTC | GPA | Switching | TS | 176 | TS | GPA | AF Power Amp | 200 | TI | GNG | GPA | General Use | 201 | TI | GNG | GPA | General Use | 202 | TI | GNG | GPA | General Use | 206 | TI | GNG | GPA | AF Amplifier | 207 | TI | GNG | GPA | AF Amplifier | 208 | TI | GNG | GPA | AF Amplifier | GT | 210 | GTC | GPA | Switching | 210 | TI | GNG | GPA | AF Amplifier | 220 | TI | GNG | GPA | AF Amplifier | 221 | TI | GNG | GPA | IF Amplifier | GT | 222 | GTC | GPA | General Use | 222 | TI | GNG | GPA | IF Amplifier | 223 | TI | GNG | GPA | Converter | 224 | TI | GNG | GPA | Detector | 225 | TI | GNG | GPA | IF Amplifier | 227 | TI | GNG | GPA | IF Amplifier | 228 | TI | GNG | GPA | Detector | GT | 229 | GTC | GNA | AF Amplifier | 234 | TI | CNA | IF Amplifier | IF Amplifier | 235 | TI | GNA | GPA | Converter | GT | 269 | GTC | GPA | RF Amplifier | 301 | TI | GPA | AF Amplifier | AF Amplifier | 302 | TI | GPA | AF Amplifier | AF Amplifier | 310 | TI | GPA | AF Amplifier | AF Amplifier | 310 | TI | GPA | AF Amplifier | AF Amplifier | | | | | | | | | | | | | | | | | | | | | | | | | | | | | | | | | | | | | | | | | | | | | | | | | | | | | | | | | | | | | | | | | | | | | | | | | | | | | | | | | | | | | | | | | | | | | | | | | | | | | | | | | | | | | | | | | | | | | | | | | | | | | | | | | | | | | | | | | | | | | | | | | | | | | | | | | | | | | | | | | | | | | | | | | | | | | | | | | | | | | | | | | | | | | | | | | | | | | | | | | | | | | | | | | | | | | | | | | | | | | | | | | | | | | | |
| 2N1485 | RCA | SNJ | Power Switch | Power Switch | 2N1486 | RCA | SNJ | Power Switch | Power Switch | 2N1487 | RCA | SNJ | Power Switch | Power Switch | 2N1488 | RCA | SNJ | Power Switch | Power Switch | 2N1489 | RCA | SNJ | Power Switch | Power Switch | 2N1490 | RCA | SNJ | Power Switch | Power Switch | 3N22 | WHI | GNG | RF Amplifier | RF Amplifier | 3N23 | BOG | GNG | RF Amplifier | RF Amplifier | 3N23A | BOG | GNG | RF Amplifier | RF Amplifier | 3N23B | BOG | GNG | RF Amplifier | RF Amplifier | 3N23C | BOG | GNG | RF Amplifier | RF Amplifier | 3N25 | TI | GPJ | VHF Amp | VHF Amp | 3N26 | TI | SNG | RF Amplifier | RF Amplifier | 3N27 | TI | SNG | RF Amplifier | RF Amplifier | 3N29 | GE | GNA | RF Amplifier | RF Amplifier | 3N30 | GE | GNA | RF Amplifier | RF Amplifier | 3N31 | GE | GNA | RF Amplifier | RF Amplifier | 3N32 | TI | SNG | RF Amplifier | RF Amplifier | 3N33 | TI | SNG | RF Amplifier | RF Amplifier | 3N34 | TI | SNG | RF Amplifier | RF Amplifier | 3N35 | TI | SNG | RF Amplifier | RF Amplifier | 3N36 | GE | GNG | RF Amplifier | RF Amplifier | 3N37 | GE | GNG | RF Amplifier | RF Amplifier | 4JD1B2 | GE | GPA | Switching | Switching | 4JD1B3 | GE | GPA | Switching | Switching | 4JD1B4 | GE | GPA | Switching | Switching | 4JD4A2 | GE | GNG | IF Amplifier | IF Amplifier | 4JD4A3 | GE | GNG | Switching | Switching | 4JD4A4 | GE | GNG | IF Amplifier | IF Amplifier | 4JD4A5 | GE | GNG | RF Amplifier | RF Amplifier | 5A | SPR | GC | Switching | Switching | 5B | CTP | SD | Photo Use | Photo Use | 5C | CTP | SD | Photo Use | Photo Use | 8D | SPR | GPA | AF Amplifier | AF Amplifier | 8E | SPR | GPA | AF Amplifier | AF Amplifier | 8F | SPR | GPA | AF Amplifier | AF Amplifier | 10A | CTP | SD | Photo Use | Photo Use | 10A | SPR | GPA | AF Amplifier | AF Amplifier | 10B | CTP | SD | Photo Use | Photo Use | 10B | SPR | GPA | AF Amplifier | AF Amplifier | 10C | SPR | GPA | AF Amplifier | AF Amplifier | 11A | CTP | SO | Photo Use | Photo Use | 11B | CTP | SD | Photo Use | Photo Use | ZJ | 12 | GE | SNG | AF Amplifier | CK | 13 | RK | GPA | RF Amplifier | ZJ | 13 | GE | GNG | AF Amplifier | MN | 13A | MOT | GPA | AF Amplifier | MN | 13B | MOT | GPA | AF Amplifier | MN | 13C | MOT | GPA | AF Amplifier | ZJ | 13 | GE | GNG | AF Amplifier | CK | 14 | RK | GPA | RF Amplifier | GT | 14 | GTC | GPA | AF Amplifier | RR | 14 | RR | GPA | AF Amplifier | ZJ | 14 | GE | SD | Switching | ZJ | 14H | GTC | GPA | AF Amplifier | OC | 16 | AMP | GPA | AF Power Amp | ZJ | 16 | CK | RR | AF Power Amp | CK | 17 | RR | RR | AF Power Amp | MN | 19 | MOT | GPA | AF Amplifier | GT | 20 | GTC | GPA | AF Amplifier | RR | 20 | RR | GPA | AF Amplifier | GT | 20H | GTC | GPA | AF Amplifier | MN | 21 | MOT | GPA | AF Power Amp | RR | 21 | RR | GPA | AF Amplifier | GT | 24 | GTC | GPA | AF Amplifier | MN | 24 | MOT | GPA | AF Power Amp | MN | 25 | MOT | GPA | AF Power Amp | CK | 26 | RK | MOT | Switching | MN | 26 | MOT | GPA | AF Power Amp | MN | 28 | MOT | GPA | AF Power Amp | MN | 29 | MOT | GPA | AF Power Amp | GT | 34 | GTC | GPA | AF Amplifier | RR | 34 | RR | GPA | AF Amplifier | T | 34A | NU | GPA | AF Amplifier | T | 34B | NU | GPA | AF Amplifier | T | 34C | NU | GPA | AF Amplifier | T | 34D | NU | GPA | AF Amplifier | T | 34E | NU | GPA | AF Amplifier | T | 34F | NU | GPA | AF Amplifier | GT | 34HV | GTC | GPA | Switching | GT | 34S | GTC | GPA | Detector | GT | 38 | GTC | GPA | AF Amplifier | RR | 38 | RR | GPA | AF Amplifier | OC | 44 | AMP | GPA | RF Amplifier | OC | 45 | AMP | GPA | RF Amplifier | OC | 50 | AMP | GC | Oscillator | OC | 51 | AMP | GC | Switching | OC | 65 | AMP | GC | AF Amplifier | CT | 66 | GTC | GPA | Photo Use | OC | 66 | AMP | GPA | AF Amplifier | RR | 66 | RR | SD | AF Amplifier | OC | 70 | AMP | GPA | AF Amplifier | OC | 71 | AMP | GPA | RF Amplifier | OC | 72 | AMP | GMA | AF Amplifier | ZJ | 72 | GE | GNG | VHF Amplifier | OC | 73 | AMP | GPA | AF Amplifier | ZJ | 73 | GE | GNG | AF Amplifier | GT | 74 | GTC | GPA | AF Amplifier | GT | 75 | GTC | GPA | AF Amplifier | OC | 76 | AMP | GPA | Switching | GT | 81 | GTC | GPA | AF Amplifier | GT | 81H | GTC | GPA | AF Amplifier | GT | 81HS | GTC | GPA | AF Amplifier | GT | 82 | GTC | GPA | Switching | GT | 83 | GTC | GPA | Switching | GT | 87 | GTC | GPA | Switching | GT | 88 | GTC | GPA | Switching | DR | 100 | TS | GPA | AF Amplifier | DR | 101 | TS | GPA | AF Amplifier | DR | 102 | TS | GPA | AF Amplifier | GT | 109 | GTC | GPA | AF Amplifier | GT | 122 | GTC | GPA | Switching | GT | 123 | GTC | GPA | Switching | RR | 125 | RR | GPA | AF Amplifier | DR | 126 | TS | GPA | AF Amplifier | DR | 128 | TS | GPA | AF Amplifier | DR | 129 | TS | GPA | General Use | DR | 130 | TS | GPA | General Use | DR | 131 | TS | GPA | General Use | DR | 132 | TS | GPA | General Use | DR | 139 | TS | GPA | General Use | DR | 147 | TS | GPA | AF Power Amp | GT | 153 | GT | GPA | Switching | DR | 154 | TS | GPA | General Use | DR | 155 | TS | GPA | General Use | TS | 161 | TS | GMA | AF Amplifier | TS | 162 | TS | GMA | General Use | TS | 163 | TS | GPA | AF Amplifier | TS | 164 | TS | GPA | AF Amplifier | TS | 165 | TS | GPA | AF Amplifier | TS | 166 | TS | GPA | AF Amplifier | GT | 167 | GTC | GPA | Switching | TS | 176 | TS | GPA | AF Power Amp | 200 | TI | GNG | GPA | General Use | 201 | TI | GNG | GPA | General Use | 202 | TI | GNG | GPA | General Use | 206 | TI | GNG | GPA | AF Amplifier | 207 | TI | GNG | GPA | AF Amplifier | 208 | TI | GNG | GPA | AF Amplifier | GT | 210 | GTC | GPA | Switching | 210 | TI | GNG | GPA | AF Amplifier | 220 | TI | GNG | GPA | AF Amplifier | 221 | TI | GNG | GPA | IF Amplifier | GT | 222 | GTC | GPA | General Use | 222 | TI | GNG | GPA | IF Amplifier | 223 | TI | GNG | GPA | Converter | 224 | TI | GNG | GPA | Detector | 225 | TI | GNG | GPA | IF Amplifier | 227 | TI | GNG | GPA | IF Amplifier | 228 | TI | GNG | GPA | Detector | GT | 229 | GTC | GNA | AF Amplifier | 234 | TI | CNA | IF Amplifier | IF Amplifier | 235 | TI | GNA | GPA | Converter | GT | 269 | GTC | GPA | RF Amplifier | 301 | TI | GPA | AF Amplifier | AF Amplifier | 302 | TI | GPA | AF Amplifier | AF Amplifier | 310 | TI | GPA | AF Amplifier | AF Amplifier | 310 | TI | GPA | AF Amplifier | AF Amplifier | | | | | | | | | | | | | | | | | | | | | | | | | | | | | | | | | | | | | | | | | | | | | | | | | | | | | | | | | | | | | | | | | | | | | | | | | | | | | | | | | | | | | | | | | | | | | | | | | | | | | | | | | | | | | | | | | | | | | | | | | | | | | | | | | | | | | | | | | | | | | | | | | | | | | | | | | | | | | | | | | | | | | | | | | | | | | | | | | | | | | | | | | | | | | | | | | | | | | | | | | | | | | | | | | | | | | | | | | | | | | | | | | | | | | | | | | | | |
| 2N1486 | RCA | SNJ | Power Switch | Power Switch | 2N1487 | RCA | SNJ | Power Switch | Power Switch | 2N1488 | RCA | SNJ | Power Switch | Power Switch | 2N1489 | RCA | SNJ | Power Switch | Power Switch | 2N1490 | RCA | SNJ | Power Switch | Power Switch | 3N22 | WHI | GNG | RF Amplifier | RF Amplifier | 3N23 | BOG | GNG | RF Amplifier | RF Amplifier | 3N23A | BOG | GNG | RF Amplifier | RF Amplifier | 3N23B | BOG | GNG | RF Amplifier | RF Amplifier | 3N23C | BOG | GNG | RF Amplifier | RF Amplifier | 3N25 | TI | GPJ | VHF Amp | VHF Amp | 3N26 | TI | SNG | RF Amplifier | RF Amplifier | 3N27 | TI | SNG | RF Amplifier | RF Amplifier | 3N29 | GE | GNA | RF Amplifier | RF Amplifier | 3N30 | GE | GNA | RF Amplifier | RF Amplifier | 3N31 | GE | GNA | RF Amplifier | RF Amplifier | 3N32 | TI | SNG | RF Amplifier | RF Amplifier | 3N33 | TI | SNG | RF Amplifier | RF Amplifier | 3N34 | TI | SNG | RF Amplifier | RF Amplifier | 3N35 | TI | SNG | RF Amplifier | RF Amplifier | 3N36 | GE | GNG | RF Amplifier | RF Amplifier | 3N37 | GE | GNG | RF Amplifier | RF Amplifier | 4JD1B2 | GE | GPA | Switching | Switching | 4JD1B3 | GE | GPA | Switching | Switching | 4JD1B4 | GE | GPA | Switching | Switching | 4JD4A2 | GE | GNG | IF Amplifier | IF Amplifier | 4JD4A3 | GE | GNG | Switching | Switching | 4JD4A4 | GE | GNG | IF Amplifier | IF Amplifier | 4JD4A5 | GE | GNG | RF Amplifier | RF Amplifier | 5A | SPR | GC | Switching | Switching | 5B | CTP | SD | Photo Use | Photo Use | 5C | CTP | SD | Photo Use | Photo Use | 8D | SPR | GPA | AF Amplifier | AF Amplifier | 8E | SPR | GPA | AF Amplifier | AF Amplifier | 8F | SPR | GPA | AF Amplifier | AF Amplifier | 10A | CTP | SD | Photo Use | Photo Use | 10A | SPR | GPA | AF Amplifier | AF Amplifier | 10B | CTP | SD | Photo Use | Photo Use | 10B | SPR | GPA | AF Amplifier | AF Amplifier | 10C | SPR | GPA | AF Amplifier | AF Amplifier | 11A | CTP | SO | Photo Use | Photo Use | 11B | CTP | SD | Photo Use | Photo Use | ZJ | 12 | GE | SNG | AF Amplifier | CK | 13 | RK | GPA | RF Amplifier | ZJ | 13 | GE | GNG | AF Amplifier | MN | 13A | MOT | GPA | AF Amplifier | MN | 13B | MOT | GPA | AF Amplifier | MN | 13C | MOT | GPA | AF Amplifier | ZJ | 13 | GE | GNG | AF Amplifier | CK | 14 | RK | GPA | RF Amplifier | GT | 14 | GTC | GPA | AF Amplifier | RR | 14 | RR | GPA | AF Amplifier | ZJ | 14 | GE | SD | Switching | ZJ | 14H | GTC | GPA | AF Amplifier | OC | 16 | AMP | GPA | AF Power Amp | ZJ | 16 | CK | RR | AF Power Amp | CK | 17 | RR | RR | AF Power Amp | MN | 19 | MOT | GPA | AF Amplifier | GT | 20 | GTC | GPA | AF Amplifier | RR | 20 | RR | GPA | AF Amplifier | GT | 20H | GTC | GPA | AF Amplifier | MN | 21 | MOT | GPA | AF Power Amp | RR | 21 | RR | GPA | AF Amplifier | GT | 24 | GTC | GPA | AF Amplifier | MN | 24 | MOT | GPA | AF Power Amp | MN | 25 | MOT | GPA | AF Power Amp | CK | 26 | RK | MOT | Switching | MN | 26 | MOT | GPA | AF Power Amp | MN | 28 | MOT | GPA | AF Power Amp | MN | 29 | MOT | GPA | AF Power Amp | GT | 34 | GTC | GPA | AF Amplifier | RR | 34 | RR | GPA | AF Amplifier | T | 34A | NU | GPA | AF Amplifier | T | 34B | NU | GPA | AF Amplifier | T | 34C | NU | GPA | AF Amplifier | T | 34D | NU | GPA | AF Amplifier | T | 34E | NU | GPA | AF Amplifier | T | 34F | NU | GPA | AF Amplifier | GT | 34HV | GTC | GPA | Switching | GT | 34S | GTC | GPA | Detector | GT | 38 | GTC | GPA | AF Amplifier | RR | 38 | RR | GPA | AF Amplifier | OC | 44 | AMP | GPA | RF Amplifier | OC | 45 | AMP | GPA | RF Amplifier | OC | 50 | AMP | GC | Oscillator | OC | 51 | AMP | GC | Switching | OC | 65 | AMP | GC | AF Amplifier | CT | 66 | GTC | GPA | Photo Use | OC | 66 | AMP | GPA | AF Amplifier | RR | 66 | RR | SD | AF Amplifier | OC | 70 | AMP | GPA | AF Amplifier | OC | 71 | AMP | GPA | RF Amplifier | OC | 72 | AMP | GMA | AF Amplifier | ZJ | 72 | GE | GNG | VHF Amplifier | OC | 73 | AMP | GPA | AF Amplifier | ZJ | 73 | GE | GNG | AF Amplifier | GT | 74 | GTC | GPA | AF Amplifier | GT | 75 | GTC | GPA | AF Amplifier | OC | 76 | AMP | GPA | Switching | GT | 81 | GTC | GPA | AF Amplifier | GT | 81H | GTC | GPA | AF Amplifier | GT | 81HS | GTC | GPA | AF Amplifier | GT | 82 | GTC | GPA | Switching | GT | 83 | GTC | GPA | Switching | GT | 87 | GTC | GPA | Switching | GT | 88 | GTC | GPA | Switching | DR | 100 | TS | GPA | AF Amplifier | DR | 101 | TS | GPA | AF Amplifier | DR | 102 | TS | GPA | AF Amplifier | GT | 109 | GTC | GPA | AF Amplifier | GT | 122 | GTC | GPA | Switching | GT | 123 | GTC | GPA | Switching | RR | 125 | RR | GPA | AF Amplifier | DR | 126 | TS | GPA | AF Amplifier | DR | 128 | TS | GPA | AF Amplifier | DR | 129 | TS | GPA | General Use | DR | 130 | TS | GPA | General Use | DR | 131 | TS | GPA | General Use | DR | 132 | TS | GPA | General Use | DR | 139 | TS | GPA | General Use | DR | 147 | TS | GPA | AF Power Amp | GT | 153 | GT | GPA | Switching | DR | 154 | TS | GPA | General Use | DR | 155 | TS | GPA | General Use | TS | 161 | TS | GMA | AF Amplifier | TS | 162 | TS | GMA | General Use | TS | 163 | TS | GPA | AF Amplifier | TS | 164 | TS | GPA | AF Amplifier | TS | 165 | TS | GPA | AF Amplifier | TS | 166 | TS | GPA | AF Amplifier | GT | 167 | GTC | GPA | Switching | TS | 176 | TS | GPA | AF Power Amp | 200 | TI | GNG | GPA | General Use | 201 | TI | GNG | GPA | General Use | 202 | TI | GNG | GPA | General Use | 206 | TI | GNG | GPA | AF Amplifier | 207 | TI | GNG | GPA | AF Amplifier | 208 | TI | GNG | GPA | AF Amplifier | GT | 210 | GTC | GPA | Switching | 210 | TI | GNG | GPA | AF Amplifier | 220 | TI | GNG | GPA | AF Amplifier | 221 | TI | GNG | GPA | IF Amplifier | GT | 222 | GTC | GPA | General Use | 222 | TI | GNG | GPA | IF Amplifier | 223 | TI | GNG | GPA | Converter | 224 | TI | GNG | GPA | Detector | 225 | TI | GNG | GPA | IF Amplifier | 227 | TI | GNG | GPA | IF Amplifier | 228 | TI | GNG | GPA | Detector | GT | 229 | GTC | GNA | AF Amplifier | 234 | TI | CNA | IF Amplifier | IF Amplifier | 235 | TI | GNA | GPA | Converter | GT | 269 | GTC | GPA | RF Amplifier | 301 | TI | GPA | AF Amplifier | AF Amplifier | 302 | TI | GPA | AF Amplifier | AF Amplifier | 310 | TI | GPA | AF Amplifier | AF Amplifier | 310 | TI | GPA | AF Amplifier | AF Amplifier | | | | | | | | | | | | | | | | | | | | | | | | | | | | | | | | | | | | | | | | | | | | | | | | | | | | | | | | | | | | | | | | | | | | | | | | | | | | | | | | | | | | | | | | | | | | | | | | | | | | | | | | | | | | | | | | | | | | | | | | | | | | | | | | | | | | | | | | | | | | | | | | | | | | | | | | | | | | | | | | | | | | | | | | | | | | | | | | | | | | | | | | | | | | | | | | | | | | | | | | | | | | | | | | | | | | | | | | | | | | | | | | | | | | | | | | | | | | | | | | |
| 2N1487 | RCA | SNJ | Power Switch | Power Switch | 2N1488 | RCA | SNJ | Power Switch | Power Switch | 2N1489 | RCA | SNJ | Power Switch | Power Switch | 2N1490 | RCA | SNJ | Power Switch | Power Switch | 3N22 | WHI | GNG | RF Amplifier | RF Amplifier | 3N23 | BOG | GNG | RF Amplifier | RF Amplifier | 3N23A | BOG | GNG | RF Amplifier | RF Amplifier | 3N23B | BOG | GNG | RF Amplifier | RF Amplifier | 3N23C | BOG | GNG | RF Amplifier | RF Amplifier | 3N25 | TI | GPJ | VHF Amp | VHF Amp | 3N26 | TI | SNG | RF Amplifier | RF Amplifier | 3N27 | TI | SNG | RF Amplifier | RF Amplifier | 3N29 | GE | GNA | RF Amplifier | RF Amplifier | 3N30 | GE | GNA | RF Amplifier | RF Amplifier | 3N31 | GE | GNA | RF Amplifier | RF Amplifier | 3N32 | TI | SNG | RF Amplifier | RF Amplifier | 3N33 | TI | SNG | RF Amplifier | RF Amplifier | 3N34 | TI | SNG | RF Amplifier | RF Amplifier | 3N35 | TI | SNG | RF Amplifier | RF Amplifier | 3N36 | GE | GNG | RF Amplifier | RF Amplifier | 3N37 | GE | GNG | RF Amplifier | RF Amplifier | 4JD1B2 | GE | GPA | Switching | Switching | 4JD1B3 | GE | GPA | Switching | Switching | 4JD1B4 | GE | GPA | Switching | Switching | 4JD4A2 | GE | GNG | IF Amplifier | IF Amplifier | 4JD4A3 | GE | GNG | Switching | Switching | 4JD4A4 | GE | GNG | IF Amplifier | IF Amplifier | 4JD4A5 | GE | GNG | RF Amplifier | RF Amplifier | 5A | SPR | GC | Switching | Switching | 5B | CTP | SD | Photo Use | Photo Use | 5C | CTP | SD | Photo Use | Photo Use | 8D | SPR | GPA | AF Amplifier | AF Amplifier | 8E | SPR | GPA | AF Amplifier | AF Amplifier | 8F | SPR | GPA | AF Amplifier | AF Amplifier | 10A | CTP | SD | Photo Use | Photo Use | 10A | SPR | GPA | AF Amplifier | AF Amplifier | 10B | CTP | SD | Photo Use | Photo Use | 10B | SPR | GPA | AF Amplifier | AF Amplifier | 10C | SPR | GPA | AF Amplifier | AF Amplifier | 11A | CTP | SO | Photo Use | Photo Use | 11B | CTP | SD | Photo Use | Photo Use | ZJ | 12 | GE | SNG | AF Amplifier | CK | 13 | RK | GPA | RF Amplifier | ZJ | 13 | GE | GNG | AF Amplifier | MN | 13A | MOT | GPA | AF Amplifier | MN | 13B | MOT | GPA | AF Amplifier | MN | 13C | MOT | GPA | AF Amplifier | ZJ | 13 | GE | GNG | AF Amplifier | CK | 14 | RK | GPA | RF Amplifier | GT | 14 | GTC | GPA | AF Amplifier | RR | 14 | RR | GPA | AF Amplifier | ZJ | 14 | GE | SD | Switching | ZJ | 14H | GTC | GPA | AF Amplifier | OC | 16 | AMP | GPA | AF Power Amp | ZJ | 16 | CK | RR | AF Power Amp | CK | 17 | RR | RR | AF Power Amp | MN | 19 | MOT | GPA | AF Amplifier | GT | 20 | GTC | GPA | AF Amplifier | RR | 20 | RR | GPA | AF Amplifier | GT | 20H | GTC | GPA | AF Amplifier | MN | 21 | MOT | GPA | AF Power Amp | RR | 21 | RR | GPA | AF Amplifier | GT | 24 | GTC | GPA | AF Amplifier | MN | 24 | MOT | GPA | AF Power Amp | MN | 25 | MOT | GPA | AF Power Amp | CK | 26 | RK | MOT | Switching | MN | 26 | MOT | GPA | AF Power Amp | MN | 28 | MOT | GPA | AF Power Amp | MN | 29 | MOT | GPA | AF Power Amp | GT | 34 | GTC | GPA | AF Amplifier | RR | 34 | RR | GPA | AF Amplifier | T | 34A | NU | GPA | AF Amplifier | T | 34B | NU | GPA | AF Amplifier | T | 34C | NU | GPA | AF Amplifier | T | 34D | NU | GPA | AF Amplifier | T | 34E | NU | GPA | AF Amplifier | T | 34F | NU | GPA | AF Amplifier | GT | 34HV | GTC | GPA | Switching | GT | 34S | GTC | GPA | Detector | GT | 38 | GTC | GPA | AF Amplifier | RR | 38 | RR | GPA | AF Amplifier | OC | 44 | AMP | GPA | RF Amplifier | OC | 45 | AMP | GPA | RF Amplifier | OC | 50 | AMP | GC | Oscillator | OC | 51 | AMP | GC | Switching | OC | 65 | AMP | GC | AF Amplifier | CT | 66 | GTC | GPA | Photo Use | OC | 66 | AMP | GPA | AF Amplifier | RR | 66 | RR | SD | AF Amplifier | OC | 70 | AMP | GPA | AF Amplifier | OC | 71 | AMP | GPA | RF Amplifier | OC | 72 | AMP | GMA | AF Amplifier | ZJ | 72 | GE | GNG | VHF Amplifier | OC | 73 | AMP | GPA | AF Amplifier | ZJ | 73 | GE | GNG | AF Amplifier | GT | 74 | GTC | GPA | AF Amplifier | GT | 75 | GTC | GPA | AF Amplifier | OC | 76 | AMP | GPA | Switching | GT | 81 | GTC | GPA | AF Amplifier | GT | 81H | GTC | GPA | AF Amplifier | GT | 81HS | GTC | GPA | AF Amplifier | GT | 82 | GTC | GPA | Switching | GT | 83 | GTC | GPA | Switching | GT | 87 | GTC | GPA | Switching | GT | 88 | GTC | GPA | Switching | DR | 100 | TS | GPA | AF Amplifier | DR | 101 | TS | GPA | AF Amplifier | DR | 102 | TS | GPA | AF Amplifier | GT | 109 | GTC | GPA | AF Amplifier | GT | 122 | GTC | GPA | Switching | GT | 123 | GTC | GPA | Switching | RR | 125 | RR | GPA | AF Amplifier | DR | 126 | TS | GPA | AF Amplifier | DR | 128 | TS | GPA | AF Amplifier | DR | 129 | TS | GPA | General Use | DR | 130 | TS | GPA | General Use | DR | 131 | TS | GPA | General Use | DR | 132 | TS | GPA | General Use | DR | 139 | TS | GPA | General Use | DR | 147 | TS | GPA | AF Power Amp | GT | 153 | GT | GPA | Switching | DR | 154 | TS | GPA | General Use | DR | 155 | TS | GPA | General Use | TS | 161 | TS | GMA | AF Amplifier | TS | 162 | TS | GMA | General Use | TS | 163 | TS | GPA | AF Amplifier | TS | 164 | TS | GPA | AF Amplifier | TS | 165 | TS | GPA | AF Amplifier | TS | 166 | TS | GPA | AF Amplifier | GT | 167 | GTC | GPA | Switching | TS | 176 | TS | GPA | AF Power Amp | 200 | TI | GNG | GPA | General Use | 201 | TI | GNG | GPA | General Use | 202 | TI | GNG | GPA | General Use | 206 | TI | GNG | GPA | AF Amplifier | 207 | TI | GNG | GPA | AF Amplifier | 208 | TI | GNG | GPA | AF Amplifier | GT | 210 | GTC | GPA | Switching | 210 | TI | GNG | GPA | AF Amplifier | 220 | TI | GNG | GPA | AF Amplifier | 221 | TI | GNG | GPA | IF Amplifier | GT | 222 | GTC | GPA | General Use | 222 | TI | GNG | GPA | IF Amplifier | 223 | TI | GNG | GPA | Converter | 224 | TI | GNG | GPA | Detector | 225 | TI | GNG | GPA | IF Amplifier | 227 | TI | GNG | GPA | IF Amplifier | 228 | TI | GNG | GPA | Detector | GT | 229 | GTC | GNA | AF Amplifier | 234 | TI | CNA | IF Amplifier | IF Amplifier | 235 | TI | GNA | GPA | Converter | GT | 269 | GTC | GPA | RF Amplifier | 301 | TI | GPA | AF Amplifier | AF Amplifier | 302 | TI | GPA | AF Amplifier | AF Amplifier | 310 | TI | GPA | AF Amplifier | AF Amplifier | 310 | TI | GPA | AF Amplifier | AF Amplifier | | | | | | | | | | | | | | | | | | | | | | | | | | | | | | | | | | | | | | | | | | | | | | | | | | | | | | | | | | | | | | | | | | | | | | | | | | | | | | | | | | | | | | | | | | | | | | | | | | | | | | | | | | | | | | | | | | | | | | | | | | | | | | | | | | | | | | | | | | | | | | | | | | | | | | | | | | | | | | | | | | | | | | | | | | | | | | | | | | | | | | | | | | | | | | | | | | | | | | | | | | | | | | | | | | | | | | | | | | | | | | | | | | | | | | | | | | | | | | | | | | | | | |
| 2N1488 | RCA | SNJ | Power Switch | Power Switch | 2N1489 | RCA | SNJ | Power Switch | Power Switch | 2N1490 | RCA | SNJ | Power Switch | Power Switch | 3N22 | WHI | GNG | RF Amplifier | RF Amplifier | 3N23 | BOG | GNG | RF Amplifier | RF Amplifier | 3N23A | BOG | GNG | RF Amplifier | RF Amplifier | 3N23B | BOG | GNG | RF Amplifier | RF Amplifier | 3N23C | BOG | GNG | RF Amplifier | RF Amplifier | 3N25 | TI | GPJ | VHF Amp | VHF Amp | 3N26 | TI | SNG | RF Amplifier | RF Amplifier | 3N27 | TI | SNG | RF Amplifier | RF Amplifier | 3N29 | GE | GNA | RF Amplifier | RF Amplifier | 3N30 | GE | GNA | RF Amplifier | RF Amplifier | 3N31 | GE | GNA | RF Amplifier | RF Amplifier | 3N32 | TI | SNG | RF Amplifier | RF Amplifier | 3N33 | TI | SNG | RF Amplifier | RF Amplifier | 3N34 | TI | SNG | RF Amplifier | RF Amplifier | 3N35 | TI | SNG | RF Amplifier | RF Amplifier | 3N36 | GE | GNG | RF Amplifier | RF Amplifier | 3N37 | GE | GNG | RF Amplifier | RF Amplifier | 4JD1B2 | GE | GPA | Switching | Switching | 4JD1B3 | GE | GPA | Switching | Switching | 4JD1B4 | GE | GPA | Switching | Switching | 4JD4A2 | GE | GNG | IF Amplifier | IF Amplifier | 4JD4A3 | GE | GNG | Switching | Switching | 4JD4A4 | GE | GNG | IF Amplifier | IF Amplifier | 4JD4A5 | GE | GNG | RF Amplifier | RF Amplifier | 5A | SPR | GC | Switching | Switching | 5B | CTP | SD | Photo Use | Photo Use | 5C | CTP | SD | Photo Use | Photo Use | 8D | SPR | GPA | AF Amplifier | AF Amplifier | 8E | SPR | GPA | AF Amplifier | AF Amplifier | 8F | SPR | GPA | AF Amplifier | AF Amplifier | 10A | CTP | SD | Photo Use | Photo Use | 10A | SPR | GPA | AF Amplifier | AF Amplifier | 10B | CTP | SD | Photo Use | Photo Use | 10B | SPR | GPA | AF Amplifier | AF Amplifier | 10C | SPR | GPA | AF Amplifier | AF Amplifier | 11A | CTP | SO | Photo Use | Photo Use | 11B | CTP | SD | Photo Use | Photo Use | ZJ | 12 | GE | SNG | AF Amplifier | CK | 13 | RK | GPA | RF Amplifier | ZJ | 13 | GE | GNG | AF Amplifier | MN | 13A | MOT | GPA | AF Amplifier | MN | 13B | MOT | GPA | AF Amplifier | MN | 13C | MOT | GPA | AF Amplifier | ZJ | 13 | GE | GNG | AF Amplifier | CK | 14 | RK | GPA | RF Amplifier | GT | 14 | GTC | GPA | AF Amplifier | RR | 14 | RR | GPA | AF Amplifier | ZJ | 14 | GE | SD | Switching | ZJ | 14H | GTC | GPA | AF Amplifier | OC | 16 | AMP | GPA | AF Power Amp | ZJ | 16 | CK | RR | AF Power Amp | CK | 17 | RR | RR | AF Power Amp | MN | 19 | MOT | GPA | AF Amplifier | GT | 20 | GTC | GPA | AF Amplifier | RR | 20 | RR | GPA | AF Amplifier | GT | 20H | GTC | GPA | AF Amplifier | MN | 21 | MOT | GPA | AF Power Amp | RR | 21 | RR | GPA | AF Amplifier | GT | 24 | GTC | GPA | AF Amplifier | MN | 24 | MOT | GPA | AF Power Amp | MN | 25 | MOT | GPA | AF Power Amp | CK | 26 | RK | MOT | Switching | MN | 26 | MOT | GPA | AF Power Amp | MN | 28 | MOT | GPA | AF Power Amp | MN | 29 | MOT | GPA | AF Power Amp | GT | 34 | GTC | GPA | AF Amplifier | RR | 34 | RR | GPA | AF Amplifier | T | 34A | NU | GPA | AF Amplifier | T | 34B | NU | GPA | AF Amplifier | T | 34C | NU | GPA | AF Amplifier | T | 34D | NU | GPA | AF Amplifier | T | 34E | NU | GPA | AF Amplifier | T | 34F | NU | GPA | AF Amplifier | GT | 34HV | GTC | GPA | Switching | GT | 34S | GTC | GPA | Detector | GT | 38 | GTC | GPA | AF Amplifier | RR | 38 | RR | GPA | AF Amplifier | OC | 44 | AMP | GPA | RF Amplifier | OC | 45 | AMP | GPA | RF Amplifier | OC | 50 | AMP | GC | Oscillator | OC | 51 | AMP | GC | Switching | OC | 65 | AMP | GC | AF Amplifier | CT | 66 | GTC | GPA | Photo Use | OC | 66 | AMP | GPA | AF Amplifier | RR | 66 | RR | SD | AF Amplifier | OC | 70 | AMP | GPA | AF Amplifier | OC | 71 | AMP | GPA | RF Amplifier | OC | 72 | AMP | GMA | AF Amplifier | ZJ | 72 | GE | GNG | VHF Amplifier | OC | 73 | AMP | GPA | AF Amplifier | ZJ | 73 | GE | GNG | AF Amplifier | GT | 74 | GTC | GPA | AF Amplifier | GT | 75 | GTC | GPA | AF Amplifier | OC | 76 | AMP | GPA | Switching | GT | 81 | GTC | GPA | AF Amplifier | GT | 81H | GTC | GPA | AF Amplifier | GT | 81HS | GTC | GPA | AF Amplifier | GT | 82 | GTC | GPA | Switching | GT | 83 | GTC | GPA | Switching | GT | 87 | GTC | GPA | Switching | GT | 88 | GTC | GPA | Switching | DR | 100 | TS | GPA | AF Amplifier | DR | 101 | TS | GPA | AF Amplifier | DR | 102 | TS | GPA | AF Amplifier | GT | 109 | GTC | GPA | AF Amplifier | GT | 122 | GTC | GPA | Switching | GT | 123 | GTC | GPA | Switching | RR | 125 | RR | GPA | AF Amplifier | DR | 126 | TS | GPA | AF Amplifier | DR | 128 | TS | GPA | AF Amplifier | DR | 129 | TS | GPA | General Use | DR | 130 | TS | GPA | General Use | DR | 131 | TS | GPA | General Use | DR | 132 | TS | GPA | General Use | DR | 139 | TS | GPA | General Use | DR | 147 | TS | GPA | AF Power Amp | GT | 153 | GT | GPA | Switching | DR | 154 | TS | GPA | General Use | DR | 155 | TS | GPA | General Use | TS | 161 | TS | GMA | AF Amplifier | TS | 162 | TS | GMA | General Use | TS | 163 | TS | GPA | AF Amplifier | TS | 164 | TS | GPA | AF Amplifier | TS | 165 | TS | GPA | AF Amplifier | TS | 166 | TS | GPA | AF Amplifier | GT | 167 | GTC | GPA | Switching | TS | 176 | TS | GPA | AF Power Amp | 200 | TI | GNG | GPA | General Use | 201 | TI | GNG | GPA | General Use | 202 | TI | GNG | GPA | General Use | 206 | TI | GNG | GPA | AF Amplifier | 207 | TI | GNG | GPA | AF Amplifier | 208 | TI | GNG | GPA | AF Amplifier | GT | 210 | GTC | GPA | Switching | 210 | TI | GNG | GPA | AF Amplifier | 220 | TI | GNG | GPA | AF Amplifier | 221 | TI | GNG | GPA | IF Amplifier | GT | 222 | GTC | GPA | General Use | 222 | TI | GNG | GPA | IF Amplifier | 223 | TI | GNG | GPA | Converter | 224 | TI | GNG | GPA | Detector | 225 | TI | GNG | GPA | IF Amplifier | 227 | TI | GNG | GPA | IF Amplifier | 228 | TI | GNG | GPA | Detector | GT | 229 | GTC | GNA | AF Amplifier | 234 | TI | CNA | IF Amplifier | IF Amplifier | 235 | TI | GNA | GPA | Converter | GT | 269 | GTC | GPA | RF Amplifier | 301 | TI | GPA | AF Amplifier | AF Amplifier | 302 | TI | GPA | AF Amplifier | AF Amplifier | 310 | TI | GPA | AF Amplifier | AF Amplifier | 310 | TI | GPA | AF Amplifier | AF Amplifier | | | | | | | | | | | | | | | | | | | | | | | | | | | | | | | | | | | | | | | | | | | | | | | | | | | | | | | | | | | | | | | | | | | | | | | | | | | | | | | | | | | | | | | | | | | | | | | | | | | | | | | | | | | | | | | | | | | | | | | | | | | | | | | | | | | | | | | | | | | | | | | | | | | | | | | | | | | | | | | | | | | | | | | | | | | | | | | | | | | | | | | | | | | | | | | | | | | | | | | | | | | | | | | | | | | | | | | | | | | | | | | | | | | | | | | | | | | | | | | | | | | | | | | | | | |
| 2N1489 | RCA | SNJ | Power Switch | Power Switch | 2N1490 | RCA | SNJ | Power Switch | Power Switch | 3N22 | WHI | GNG | RF Amplifier | RF Amplifier | 3N23 | BOG | GNG | RF Amplifier | RF Amplifier | 3N23A | BOG | GNG | RF Amplifier | RF Amplifier | 3N23B | BOG | GNG | RF Amplifier | RF Amplifier | 3N23C | BOG | GNG | RF Amplifier | RF Amplifier | 3N25 | TI | GPJ | VHF Amp | VHF Amp | 3N26 | TI | SNG | RF Amplifier | RF Amplifier | 3N27 | TI | SNG | RF Amplifier | RF Amplifier | 3N29 | GE | GNA | RF Amplifier | RF Amplifier | 3N30 | GE | GNA | RF Amplifier | RF Amplifier | 3N31 | GE | GNA | RF Amplifier | RF Amplifier | 3N32 | TI | SNG | RF Amplifier | RF Amplifier | 3N33 | TI | SNG | RF Amplifier | RF Amplifier | 3N34 | TI | SNG | RF Amplifier | RF Amplifier | 3N35 | TI | SNG | RF Amplifier | RF Amplifier | 3N36 | GE | GNG | RF Amplifier | RF Amplifier | 3N37 | GE | GNG | RF Amplifier | RF Amplifier | 4JD1B2 | GE | GPA | Switching | Switching | 4JD1B3 | GE | GPA | Switching | Switching | 4JD1B4 | GE | GPA | Switching | Switching | 4JD4A2 | GE | GNG | IF Amplifier | IF Amplifier | 4JD4A3 | GE | GNG | Switching | Switching | 4JD4A4 | GE | GNG | IF Amplifier | IF Amplifier | 4JD4A5 | GE | GNG | RF Amplifier | RF Amplifier | 5A | SPR | GC | Switching | Switching | 5B | CTP | SD | Photo Use | Photo Use | 5C | CTP | SD | Photo Use | Photo Use | 8D | SPR | GPA | AF Amplifier | AF Amplifier | 8E | SPR | GPA | AF Amplifier | AF Amplifier | 8F | SPR | GPA | AF Amplifier | AF Amplifier | 10A | CTP | SD | Photo Use | Photo Use | 10A | SPR | GPA | AF Amplifier | AF Amplifier | 10B | CTP | SD | Photo Use | Photo Use | 10B | SPR | GPA | AF Amplifier | AF Amplifier | 10C | SPR | GPA | AF Amplifier | AF Amplifier | 11A | CTP | SO | Photo Use | Photo Use | 11B | CTP | SD | Photo Use | Photo Use | ZJ | 12 | GE | SNG | AF Amplifier | CK | 13 | RK | GPA | RF Amplifier | ZJ | 13 | GE | GNG | AF Amplifier | MN | 13A | MOT | GPA | AF Amplifier | MN | 13B | MOT | GPA | AF Amplifier | MN | 13C | MOT | GPA | AF Amplifier | ZJ | 13 | GE | GNG | AF Amplifier | CK | 14 | RK | GPA | RF Amplifier | GT | 14 | GTC | GPA | AF Amplifier | RR | 14 | RR | GPA | AF Amplifier | ZJ | 14 | GE | SD | Switching | ZJ | 14H | GTC | GPA | AF Amplifier | OC | 16 | AMP | GPA | AF Power Amp | ZJ | 16 | CK | RR | AF Power Amp | CK | 17 | RR | RR | AF Power Amp | MN | 19 | MOT | GPA | AF Amplifier | GT | 20 | GTC | GPA | AF Amplifier | RR | 20 | RR | GPA | AF Amplifier | GT | 20H | GTC | GPA | AF Amplifier | MN | 21 | MOT | GPA | AF Power Amp | RR | 21 | RR | GPA | AF Amplifier | GT | 24 | GTC | GPA | AF Amplifier | MN | 24 | MOT | GPA | AF Power Amp | MN | 25 | MOT | GPA | AF Power Amp | CK | 26 | RK | MOT | Switching | MN | 26 | MOT | GPA | AF Power Amp | MN | 28 | MOT | GPA | AF Power Amp | MN | 29 | MOT | GPA | AF Power Amp | GT | 34 | GTC | GPA | AF Amplifier | RR | 34 | RR | GPA | AF Amplifier | T | 34A | NU | GPA | AF Amplifier | T | 34B | NU | GPA | AF Amplifier | T | 34C | NU | GPA | AF Amplifier | T | 34D | NU | GPA | AF Amplifier | T | 34E | NU | GPA | AF Amplifier | T | 34F | NU | GPA | AF Amplifier | GT | 34HV | GTC | GPA | Switching | GT | 34S | GTC | GPA | Detector | GT | 38 | GTC | GPA | AF Amplifier | RR | 38 | RR | GPA | AF Amplifier | OC | 44 | AMP | GPA | RF Amplifier | OC | 45 | AMP | GPA | RF Amplifier | OC | 50 | AMP | GC | Oscillator | OC | 51 | AMP | GC | Switching | OC | 65 | AMP | GC | AF Amplifier | CT | 66 | GTC | GPA | Photo Use | OC | 66 | AMP | GPA | AF Amplifier | RR | 66 | RR | SD | AF Amplifier | OC | 70 | AMP | GPA | AF Amplifier | OC | 71 | AMP | GPA | RF Amplifier | OC | 72 | AMP | GMA | AF Amplifier | ZJ | 72 | GE | GNG | VHF Amplifier | OC | 73 | AMP | GPA | AF Amplifier | ZJ | 73 | GE | GNG | AF Amplifier | GT | 74 | GTC | GPA | AF Amplifier | GT | 75 | GTC | GPA | AF Amplifier | OC | 76 | AMP | GPA | Switching | GT | 81 | GTC | GPA | AF Amplifier | GT | 81H | GTC | GPA | AF Amplifier | GT | 81HS | GTC | GPA | AF Amplifier | GT | 82 | GTC | GPA | Switching | GT | 83 | GTC | GPA | Switching | GT | 87 | GTC | GPA | Switching | GT | 88 | GTC | GPA | Switching | DR | 100 | TS | GPA | AF Amplifier | DR | 101 | TS | GPA | AF Amplifier | DR | 102 | TS | GPA | AF Amplifier | GT | 109 | GTC | GPA | AF Amplifier | GT | 122 | GTC | GPA | Switching | GT | 123 | GTC | GPA | Switching | RR | 125 | RR | GPA | AF Amplifier | DR | 126 | TS | GPA | AF Amplifier | DR | 128 | TS | GPA | AF Amplifier | DR | 129 | TS | GPA | General Use | DR | 130 | TS | GPA | General Use | DR | 131 | TS | GPA | General Use | DR | 132 | TS | GPA | General Use | DR | 139 | TS | GPA | General Use | DR | 147 | TS | GPA | AF Power Amp | GT | 153 | GT | GPA | Switching | DR | 154 | TS | GPA | General Use | DR | 155 | TS | GPA | General Use | TS | 161 | TS | GMA | AF Amplifier | TS | 162 | TS | GMA | General Use | TS | 163 | TS | GPA | AF Amplifier | TS | 164 | TS | GPA | AF Amplifier | TS | 165 | TS | GPA | AF Amplifier | TS | 166 | TS | GPA | AF Amplifier | GT | 167 | GTC | GPA | Switching | TS | 176 | TS | GPA | AF Power Amp | 200 | TI | GNG | GPA | General Use | 201 | TI | GNG | GPA | General Use | 202 | TI | GNG | GPA | General Use | 206 | TI | GNG | GPA | AF Amplifier | 207 | TI | GNG | GPA | AF Amplifier | 208 | TI | GNG | GPA | AF Amplifier | GT | 210 | GTC | GPA | Switching | 210 | TI | GNG | GPA | AF Amplifier | 220 | TI | GNG | GPA | AF Amplifier | 221 | TI | GNG | GPA | IF Amplifier | GT | 222 | GTC | GPA | General Use | 222 | TI | GNG | GPA | IF Amplifier | 223 | TI | GNG | GPA | Converter | 224 | TI | GNG | GPA | Detector | 225 | TI | GNG | GPA | IF Amplifier | 227 | TI | GNG | GPA | IF Amplifier | 228 | TI | GNG | GPA | Detector | GT | 229 | GTC | GNA | AF Amplifier | 234 | TI | CNA | IF Amplifier | IF Amplifier | 235 | TI | GNA | GPA | Converter | GT | 269 | GTC | GPA | RF Amplifier | 301 | TI | GPA | AF Amplifier | AF Amplifier | 302 | TI | GPA | AF Amplifier | AF Amplifier | 310 | TI | GPA | AF Amplifier | AF Amplifier | 310 | TI | GPA | AF Amplifier | AF Amplifier | | | | | | | | | | | | | | | | | | | | | | | | | | | | | | | | | | | | | | | | | | | | | | | | | | | | | | | | | | | | | | | | | | | | | | | | | | | | | | | | | | | | | | | | | | | | | | | | | | | | | | | | | | | | | | | | | | | | | | | | | | | | | | | | | | | | | | | | | | | | | | | | | | | | | | | | | | | | | | | | | | | | | | | | | | | | | | | | | | | | | | | | | | | | | | | | | | | | | | | | | | | | | | | | | | | | | | | | | | | | | | | | | | | | | | | | | | | | | | | | | | | | | | | | | | | | | | | |
| 2N1490 | RCA | SNJ | Power Switch | Power Switch | 3N22 | WHI | GNG | RF Amplifier | RF Amplifier | 3N23 | BOG | GNG | RF Amplifier | RF Amplifier | 3N23A | BOG | GNG | RF Amplifier | RF Amplifier | 3N23B | BOG | GNG | RF Amplifier | RF Amplifier | 3N23C | BOG | GNG | RF Amplifier | RF Amplifier | 3N25 | TI | GPJ | VHF Amp | VHF Amp | 3N26 | TI | SNG | RF Amplifier | RF Amplifier | 3N27 | TI | SNG | RF Amplifier | RF Amplifier | 3N29 | GE | GNA | RF Amplifier | RF Amplifier | 3N30 | GE | GNA | RF Amplifier | RF Amplifier | 3N31 | GE | GNA | RF Amplifier | RF Amplifier | 3N32 | TI | SNG | RF Amplifier | RF Amplifier | 3N33 | TI | SNG | RF Amplifier | RF Amplifier | 3N34 | TI | SNG | RF Amplifier | RF Amplifier | 3N35 | TI | SNG | RF Amplifier | RF Amplifier | 3N36 | GE | GNG | RF Amplifier | RF Amplifier | 3N37 | GE | GNG | RF Amplifier | RF Amplifier | 4JD1B2 | GE | GPA | Switching | Switching | 4JD1B3 | GE | GPA | Switching | Switching | 4JD1B4 | GE | GPA | Switching | Switching | 4JD4A2 | GE | GNG | IF Amplifier | IF Amplifier | 4JD4A3 | GE | GNG | Switching | Switching | 4JD4A4 | GE | GNG | IF Amplifier | IF Amplifier | 4JD4A5 | GE | GNG | RF Amplifier | RF Amplifier | 5A | SPR | GC | Switching | Switching | 5B | CTP | SD | Photo Use | Photo Use | 5C | CTP | SD | Photo Use | Photo Use | 8D | SPR | GPA | AF Amplifier | AF Amplifier | 8E | SPR | GPA | AF Amplifier | AF Amplifier | 8F | SPR | GPA | AF Amplifier | AF Amplifier | 10A | CTP | SD | Photo Use | Photo Use | 10A | SPR | GPA | AF Amplifier | AF Amplifier | 10B | CTP | SD | Photo Use | Photo Use | 10B | SPR | GPA | AF Amplifier | AF Amplifier | 10C | SPR | GPA | AF Amplifier | AF Amplifier | 11A | CTP | SO | Photo Use | Photo Use | 11B | CTP | SD | Photo Use | Photo Use | ZJ | 12 | GE | SNG | AF Amplifier | CK | 13 | RK | GPA | RF Amplifier | ZJ | 13 | GE | GNG | AF Amplifier | MN | 13A | MOT | GPA | AF Amplifier | MN | 13B | MOT | GPA | AF Amplifier | MN | 13C | MOT | GPA | AF Amplifier | ZJ | 13 | GE | GNG | AF Amplifier | CK | 14 | RK | GPA | RF Amplifier | GT | 14 | GTC | GPA | AF Amplifier | RR | 14 | RR | GPA | AF Amplifier | ZJ | 14 | GE | SD | Switching | ZJ | 14H | GTC | GPA | AF Amplifier | OC | 16 | AMP | GPA | AF Power Amp | ZJ | 16 | CK | RR | AF Power Amp | CK | 17 | RR | RR | AF Power Amp | MN | 19 | MOT | GPA | AF Amplifier | GT | 20 | GTC | GPA | AF Amplifier | RR | 20 | RR | GPA | AF Amplifier | GT | 20H | GTC | GPA | AF Amplifier | MN | 21 | MOT | GPA | AF Power Amp | RR | 21 | RR | GPA | AF Amplifier | GT | 24 | GTC | GPA | AF Amplifier | MN | 24 | MOT | GPA | AF Power Amp | MN | 25 | MOT | GPA | AF Power Amp | CK | 26 | RK | MOT | Switching | MN | 26 | MOT | GPA | AF Power Amp | MN | 28 | MOT | GPA | AF Power Amp | MN | 29 | MOT | GPA | AF Power Amp | GT | 34 | GTC | GPA | AF Amplifier | RR | 34 | RR | GPA | AF Amplifier | T | 34A | NU | GPA | AF Amplifier | T | 34B | NU | GPA | AF Amplifier | T | 34C | NU | GPA | AF Amplifier | T | 34D | NU | GPA | AF Amplifier | T | 34E | NU | GPA | AF Amplifier | T | 34F | NU | GPA | AF Amplifier | GT | 34HV | GTC | GPA | Switching | GT | 34S | GTC | GPA | Detector | GT | 38 | GTC | GPA | AF Amplifier | RR | 38 | RR | GPA | AF Amplifier | OC | 44 | AMP | GPA | RF Amplifier | OC | 45 | AMP | GPA | RF Amplifier | OC | 50 | AMP | GC | Oscillator | OC | 51 | AMP | GC | Switching | OC | 65 | AMP | GC | AF Amplifier | CT | 66 | GTC | GPA | Photo Use | OC | 66 | AMP | GPA | AF Amplifier | RR | 66 | RR | SD | AF Amplifier | OC | 70 | AMP | GPA | AF Amplifier | OC | 71 | AMP | GPA | RF Amplifier | OC | 72 | AMP | GMA | AF Amplifier | ZJ | 72 | GE | GNG | VHF Amplifier | OC | 73 | AMP | GPA | AF Amplifier | ZJ | 73 | GE | GNG | AF Amplifier | GT | 74 | GTC | GPA | AF Amplifier | GT | 75 | GTC | GPA | AF Amplifier | OC | 76 | AMP | GPA | Switching | GT | 81 | GTC | GPA | AF Amplifier | GT | 81H | GTC | GPA | AF Amplifier | GT | 81HS | GTC | GPA | AF Amplifier | GT | 82 | GTC | GPA | Switching | GT | 83 | GTC | GPA | Switching | GT | 87 | GTC | GPA | Switching | GT | 88 | GTC | GPA | Switching | DR | 100 | TS | GPA | AF Amplifier | DR | 101 | TS | GPA | AF Amplifier | DR | 102 | TS | GPA | AF Amplifier | GT | 109 | GTC | GPA | AF Amplifier | GT | 122 | GTC | GPA | Switching | GT | 123 | GTC | GPA | Switching | RR | 125 | RR | GPA | AF Amplifier | DR | 126 | TS | GPA | AF Amplifier | DR | 128 | TS | GPA | AF Amplifier | DR | 129 | TS | GPA | General Use | DR | 130 | TS | GPA | General Use | DR | 131 | TS | GPA | General Use | DR | 132 | TS | GPA | General Use | DR | 139 | TS | GPA | General Use | DR | 147 | TS | GPA | AF Power Amp | GT | 153 | GT | GPA | Switching | DR | 154 | TS | GPA | General Use | DR | 155 | TS | GPA | General Use | TS | 161 | TS | GMA | AF Amplifier | TS | 162 | TS | GMA | General Use | TS | 163 | TS | GPA | AF Amplifier | TS | 164 | TS | GPA | AF Amplifier | TS | 165 | TS | GPA | AF Amplifier | TS | 166 | TS | GPA | AF Amplifier | GT | 167 | GTC | GPA | Switching | TS | 176 | TS | GPA | AF Power Amp | 200 | TI | GNG | GPA | General Use | 201 | TI | GNG | GPA | General Use | 202 | TI | GNG | GPA | General Use | 206 | TI | GNG | GPA | AF Amplifier | 207 | TI | GNG | GPA | AF Amplifier | 208 | TI | GNG | GPA | AF Amplifier | GT | 210 | GTC | GPA | Switching | 210 | TI | GNG | GPA | AF Amplifier | 220 | TI | GNG | GPA | AF Amplifier | 221 | TI | GNG | GPA | IF Amplifier | GT | 222 | GTC | GPA | General Use | 222 | TI | GNG | GPA | IF Amplifier | 223 | TI | GNG | GPA | Converter | 224 | TI | GNG | GPA | Detector | 225 | TI | GNG | GPA | IF Amplifier | 227 | TI | GNG | GPA | IF Amplifier | 228 | TI | GNG | GPA | Detector | GT | 229 | GTC | GNA | AF Amplifier | 234 | TI | CNA | IF Amplifier | IF Amplifier | 235 | TI | GNA | GPA | Converter | GT | 269 | GTC | GPA | RF Amplifier | 301 | TI | GPA | AF Amplifier | AF Amplifier | 302 | TI | GPA | AF Amplifier | AF Amplifier | 310 | TI | GPA | AF Amplifier | AF Amplifier | 310 | TI | GPA | AF Amplifier | AF Amplifier | | | | | | | | | | | | | | | | | | | | | | | | | | | | | | | | | | | | | | | | | | | | | | | | | | | | | | | | | | | | | | | | | | | | | | | | | | | | | | | | | | | | | | | | | | | | | | | | | | | | | | | | | | | | | | | | | | | | | | | | | | | | | | | | | | | | | | | | | | | | | | | | | | | | | | | | | | | | | | | | | | | | | | | | | | | | | | | | | | | | | | | | | | | | | | | | | | | | | | | | | | | | | | | | | | | | | | | | | | | | | | | | | | | | | | | | | | | | | | | | | | | | | | | | | | | | | | | | | | | | |
| 3N22 | WHI | GNG | RF Amplifier | RF Amplifier | 3N23 | BOG | GNG | RF Amplifier | RF Amplifier | 3N23A | BOG | GNG | RF Amplifier | RF Amplifier | 3N23B | BOG | GNG | RF Amplifier | RF Amplifier | 3N23C | BOG | GNG | RF Amplifier | RF Amplifier | 3N25 | TI | GPJ | VHF Amp | VHF Amp | 3N26 | TI | SNG | RF Amplifier | RF Amplifier | 3N27 | TI | SNG | RF Amplifier | RF Amplifier | 3N29 | GE | GNA | RF Amplifier | RF Amplifier | 3N30 | GE | GNA | RF Amplifier | RF Amplifier | 3N31 | GE | GNA | RF Amplifier | RF Amplifier | 3N32 | TI | SNG | RF Amplifier | RF Amplifier | 3N33 | TI | SNG | RF Amplifier | RF Amplifier | 3N34 | TI | SNG | RF Amplifier | RF Amplifier | 3N35 | TI | SNG | RF Amplifier | RF Amplifier | 3N36 | GE | GNG | RF Amplifier | RF Amplifier | 3N37 | GE | GNG | RF Amplifier | RF Amplifier | 4JD1B2 | GE | GPA | Switching | Switching | 4JD1B3 | GE | GPA | Switching | Switching | 4JD1B4 | GE | GPA | Switching | Switching | 4JD4A2 | GE | GNG | IF Amplifier | IF Amplifier | 4JD4A3 | GE | GNG | Switching | Switching | 4JD4A4 | GE | GNG | IF Amplifier | IF Amplifier | 4JD4A5 | GE | GNG | RF Amplifier | RF Amplifier | 5A | SPR | GC | Switching | Switching | 5B | CTP | SD | Photo Use | Photo Use | 5C | CTP | SD | Photo Use | Photo Use | 8D | SPR | GPA | AF Amplifier | AF Amplifier | 8E | SPR | GPA | AF Amplifier | AF Amplifier | 8F | SPR | GPA | AF Amplifier | AF Amplifier | 10A | CTP | SD | Photo Use | Photo Use | 10A | SPR | GPA | AF Amplifier | AF Amplifier | 10B | CTP | SD | Photo Use | Photo Use | 10B | SPR | GPA | AF Amplifier | AF Amplifier | 10C | SPR | GPA | AF Amplifier | AF Amplifier | 11A | CTP | SO | Photo Use | Photo Use | 11B | CTP | SD | Photo Use | Photo Use | ZJ | 12 | GE | SNG | AF Amplifier | CK | 13 | RK | GPA | RF Amplifier | ZJ | 13 | GE | GNG | AF Amplifier | MN | 13A | MOT | GPA | AF Amplifier | MN | 13B | MOT | GPA | AF Amplifier | MN | 13C | MOT | GPA | AF Amplifier | ZJ | 13 | GE | GNG | AF Amplifier | CK | 14 | RK | GPA | RF Amplifier | GT | 14 | GTC | GPA | AF Amplifier | RR | 14 | RR | GPA | AF Amplifier | ZJ | 14 | GE | SD | Switching | ZJ | 14H | GTC | GPA | AF Amplifier | OC | 16 | AMP | GPA | AF Power Amp | ZJ | 16 | CK | RR | AF Power Amp | CK | 17 | RR | RR | AF Power Amp | MN | 19 | MOT | GPA | AF Amplifier | GT | 20 | GTC | GPA | AF Amplifier | RR | 20 | RR | GPA | AF Amplifier | GT | 20H | GTC | GPA | AF Amplifier | MN | 21 | MOT | GPA | AF Power Amp | RR | 21 | RR | GPA | AF Amplifier | GT | 24 | GTC | GPA | AF Amplifier | MN | 24 | MOT | GPA | AF Power Amp | MN | 25 | MOT | GPA | AF Power Amp | CK | 26 | RK | MOT | Switching | MN | 26 | MOT | GPA | AF Power Amp | MN | 28 | MOT | GPA | AF Power Amp | MN | 29 | MOT | GPA | AF Power Amp | GT | 34 | GTC | GPA | AF Amplifier | RR | 34 | RR | GPA | AF Amplifier | T | 34A | NU | GPA | AF Amplifier | T | 34B | NU | GPA | AF Amplifier | T | 34C | NU | GPA | AF Amplifier | T | 34D | NU | GPA | AF Amplifier | T | 34E | NU | GPA | AF Amplifier | T | 34F | NU | GPA | AF Amplifier | GT | 34HV | GTC | GPA | Switching | GT | 34S | GTC | GPA | Detector | GT | 38 | GTC | GPA | AF Amplifier | RR | 38 | RR | GPA | AF Amplifier | OC | 44 | AMP | GPA | RF Amplifier | OC | 45 | AMP | GPA | RF Amplifier | OC | 50 | AMP | GC | Oscillator | OC | 51 | AMP | GC | Switching | OC | 65 | AMP | GC | AF Amplifier | CT | 66 | GTC | GPA | Photo Use | OC | 66 | AMP | GPA | AF Amplifier | RR | 66 | RR | SD | AF Amplifier | OC | 70 | AMP | GPA | AF Amplifier | OC | 71 | AMP | GPA | RF Amplifier | OC | 72 | AMP | GMA | AF Amplifier | ZJ | 72 | GE | GNG | VHF Amplifier | OC | 73 | AMP | GPA | AF Amplifier | ZJ | 73 | GE | GNG | AF Amplifier | GT | 74 | GTC | GPA | AF Amplifier | GT | 75 | GTC | GPA | AF Amplifier | OC | 76 | AMP | GPA | Switching | GT | 81 | GTC | GPA | AF Amplifier | GT | 81H | GTC | GPA | AF Amplifier | GT | 81HS | GTC | GPA | AF Amplifier | GT | 82 | GTC | GPA | Switching | GT | 83 | GTC | GPA | Switching | GT | 87 | GTC | GPA | Switching | GT | 88 | GTC | GPA | Switching | DR | 100 | TS | GPA | AF Amplifier | DR | 101 | TS | GPA | AF Amplifier | DR | 102 | TS | GPA | AF Amplifier | GT | 109 | GTC | GPA | AF Amplifier | GT | 122 | GTC | GPA | Switching | GT | 123 | GTC | GPA | Switching | RR | 125 | RR | GPA | AF Amplifier | DR | 126 | TS | GPA | AF Amplifier | DR | 128 | TS | GPA | AF Amplifier | DR | 129 | TS | GPA | General Use | DR | 130 | TS | GPA | General Use | DR | 131 | TS | GPA | General Use | DR | 132 | TS | GPA | General Use | DR | 139 | TS | GPA | General Use | DR | 147 | TS | GPA | AF Power Amp | GT | 153 | GT | GPA | Switching | DR | 154 | TS | GPA | General Use | DR | 155 | TS | GPA | General Use | TS | 161 | TS | GMA | AF Amplifier | TS | 162 | TS | GMA | General Use | TS | 163 | TS | GPA | AF Amplifier | TS | 164 | TS | GPA | AF Amplifier | TS | 165 | TS | GPA | AF Amplifier | TS | 166 | TS | GPA | AF Amplifier | GT | 167 | GTC | GPA | Switching | TS | 176 | TS | GPA | AF Power Amp | 200 | TI | GNG | GPA | General Use | 201 | TI | GNG | GPA | General Use | 202 | TI | GNG | GPA | General Use | 206 | TI | GNG | GPA | AF Amplifier | 207 | TI | GNG | GPA | AF Amplifier | 208 | TI | GNG | GPA | AF Amplifier | GT | 210 | GTC | GPA | Switching | 210 | TI | GNG | GPA | AF Amplifier | 220 | TI | GNG | GPA | AF Amplifier | 221 | TI | GNG | GPA | IF Amplifier | GT | 222 | GTC | GPA | General Use | 222 | TI | GNG | GPA | IF Amplifier | 223 | TI | GNG | GPA | Converter | 224 | TI | GNG | GPA | Detector | 225 | TI | GNG | GPA | IF Amplifier | 227 | TI | GNG | GPA | IF Amplifier | 228 | TI | GNG | GPA | Detector | GT | 229 | GTC | GNA | AF Amplifier | 234 | TI | CNA | IF Amplifier | IF Amplifier | 235 | TI | GNA | GPA | Converter | GT | 269 | GTC | GPA | RF Amplifier | 301 | TI | GPA | AF Amplifier | AF Amplifier | 302 | TI | GPA | AF Amplifier | AF Amplifier | 310 | TI | GPA | AF Amplifier | AF Amplifier | 310 | TI | GPA | AF Amplifier | AF Amplifier | | | | | | | | | | | | | | | | | | | | | | | | | | | | | | | | | | | | | | | | | | | | | | | | | | | | | | | | | | | | | | | | | | | | | | | | | | | | | | | | | | | | | | | | | | | | | | | | | | | | | | | | | | | | | | | | | | | | | | | | | | | | | | | | | | | | | | | | | | | | | | | | | | | | | | | | | | | | | | | | | | | | | | | | | | | | | | | | | | | | | | | | | | | | | | | | | | | | | | | | | | | | | | | | | | | | | | | | | | | | | | | | | | | | | | | | | | | | | | | | | | | | | | | | | | | | | | | | | | | | | | | | | |
| 3N23 | BOG | GNG | RF Amplifier | RF Amplifier | 3N23A | BOG | GNG | RF Amplifier | RF Amplifier | 3N23B | BOG | GNG | RF Amplifier | RF Amplifier | 3N23C | BOG | GNG | RF Amplifier | RF Amplifier | 3N25 | TI | GPJ | VHF Amp | VHF Amp | 3N26 | TI | SNG | RF Amplifier | RF Amplifier | 3N27 | TI | SNG | RF Amplifier | RF Amplifier | 3N29 | GE | GNA | RF Amplifier | RF Amplifier | 3N30 | GE | GNA | RF Amplifier | RF Amplifier | 3N31 | GE | GNA | RF Amplifier | RF Amplifier | 3N32 | TI | SNG | RF Amplifier | RF Amplifier | 3N33 | TI | SNG | RF Amplifier | RF Amplifier | 3N34 | TI | SNG | RF Amplifier | RF Amplifier | 3N35 | TI | SNG | RF Amplifier | RF Amplifier | 3N36 | GE | GNG | RF Amplifier | RF Amplifier | 3N37 | GE | GNG | RF Amplifier | RF Amplifier | 4JD1B2 | GE | GPA | Switching | Switching | 4JD1B3 | GE | GPA | Switching | Switching | 4JD1B4 | GE | GPA | Switching | Switching | 4JD4A2 | GE | GNG | IF Amplifier | IF Amplifier | 4JD4A3 | GE | GNG | Switching | Switching | 4JD4A4 | GE | GNG | IF Amplifier | IF Amplifier | 4JD4A5 | GE | GNG | RF Amplifier | RF Amplifier | 5A | SPR | GC | Switching | Switching | 5B | CTP | SD | Photo Use | Photo Use | 5C | CTP | SD | Photo Use | Photo Use | 8D | SPR | GPA | AF Amplifier | AF Amplifier | 8E | SPR | GPA | AF Amplifier | AF Amplifier | 8F | SPR | GPA | AF Amplifier | AF Amplifier | 10A | CTP | SD | Photo Use | Photo Use | 10A | SPR | GPA | AF Amplifier | AF Amplifier | 10B | CTP | SD | Photo Use | Photo Use | 10B | SPR | GPA | AF Amplifier | AF Amplifier | 10C | SPR | GPA | AF Amplifier | AF Amplifier | 11A | CTP | SO | Photo Use | Photo Use | 11B | CTP | SD | Photo Use | Photo Use | ZJ | 12 | GE | SNG | AF Amplifier | CK | 13 | RK | GPA | RF Amplifier | ZJ | 13 | GE | GNG | AF Amplifier | MN | 13A | MOT | GPA | AF Amplifier | MN | 13B | MOT | GPA | AF Amplifier | MN | 13C | MOT | GPA | AF Amplifier | ZJ | 13 | GE | GNG | AF Amplifier | CK | 14 | RK | GPA | RF Amplifier | GT | 14 | GTC | GPA | AF Amplifier | RR | 14 | RR | GPA | AF Amplifier | ZJ | 14 | GE | SD | Switching | ZJ | 14H | GTC | GPA | AF Amplifier | OC | 16 | AMP | GPA | AF Power Amp | ZJ | 16 | CK | RR | AF Power Amp | CK | 17 | RR | RR | AF Power Amp | MN | 19 | MOT | GPA | AF Amplifier | GT | 20 | GTC | GPA | AF Amplifier | RR | 20 | RR | GPA | AF Amplifier | GT | 20H | GTC | GPA | AF Amplifier | MN | 21 | MOT | GPA | AF Power Amp | RR | 21 | RR | GPA | AF Amplifier | GT | 24 | GTC | GPA | AF Amplifier | MN | 24 | MOT | GPA | AF Power Amp | MN | 25 | MOT | GPA | AF Power Amp | CK | 26 | RK | MOT | Switching | MN | 26 | MOT | GPA | AF Power Amp | MN | 28 | MOT | GPA | AF Power Amp | MN | 29 | MOT | GPA | AF Power Amp | GT | 34 | GTC | GPA | AF Amplifier | RR | 34 | RR | GPA | AF Amplifier | T | 34A | NU | GPA | AF Amplifier | T | 34B | NU | GPA | AF Amplifier | T | 34C | NU | GPA | AF Amplifier | T | 34D | NU | GPA | AF Amplifier | T | 34E | NU | GPA | AF Amplifier | T | 34F | NU | GPA | AF Amplifier | GT | 34HV | GTC | GPA | Switching | GT | 34S | GTC | GPA | Detector | GT | 38 | GTC | GPA | AF Amplifier | RR | 38 | RR | GPA | AF Amplifier | OC | 44 | AMP | GPA | RF Amplifier | OC | 45 | AMP | GPA | RF Amplifier | OC | 50 | AMP | GC | Oscillator | OC | 51 | AMP | GC | Switching | OC | 65 | AMP | GC | AF Amplifier | CT | 66 | GTC | GPA | Photo Use | OC | 66 | AMP | GPA | AF Amplifier | RR | 66 | RR | SD | AF Amplifier | OC | 70 | AMP | GPA | AF Amplifier | OC | 71 | AMP | GPA | RF Amplifier | OC | 72 | AMP | GMA | AF Amplifier | ZJ | 72 | GE | GNG | VHF Amplifier | OC | 73 | AMP | GPA | AF Amplifier | ZJ | 73 | GE | GNG | AF Amplifier | GT | 74 | GTC | GPA | AF Amplifier | GT | 75 | GTC | GPA | AF Amplifier | OC | 76 | AMP | GPA | Switching | GT | 81 | GTC | GPA | AF Amplifier | GT | 81H | GTC | GPA | AF Amplifier | GT | 81HS | GTC | GPA | AF Amplifier | GT | 82 | GTC | GPA | Switching | GT | 83 | GTC | GPA | Switching | GT | 87 | GTC | GPA | Switching | GT | 88 | GTC | GPA | Switching | DR | 100 | TS | GPA | AF Amplifier | DR | 101 | TS | GPA | AF Amplifier | DR | 102 | TS | GPA | AF Amplifier | GT | 109 | GTC | GPA | AF Amplifier | GT | 122 | GTC | GPA | Switching | GT | 123 | GTC | GPA | Switching | RR | 125 | RR | GPA | AF Amplifier | DR | 126 | TS | GPA | AF Amplifier | DR | 128 | TS | GPA | AF Amplifier | DR | 129 | TS | GPA | General Use | DR | 130 | TS | GPA | General Use | DR | 131 | TS | GPA | General Use | DR | 132 | TS | GPA | General Use | DR | 139 | TS | GPA | General Use | DR | 147 | TS | GPA | AF Power Amp | GT | 153 | GT | GPA | Switching | DR | 154 | TS | GPA | General Use | DR | 155 | TS | GPA | General Use | TS | 161 | TS | GMA | AF Amplifier | TS | 162 | TS | GMA | General Use | TS | 163 | TS | GPA | AF Amplifier | TS | 164 | TS | GPA | AF Amplifier | TS | 165 | TS | GPA | AF Amplifier | TS | 166 | TS | GPA | AF Amplifier | GT | 167 | GTC | GPA | Switching | TS | 176 | TS | GPA | AF Power Amp | 200 | TI | GNG | GPA | General Use | 201 | TI | GNG | GPA | General Use | 202 | TI | GNG | GPA | General Use | 206 | TI | GNG | GPA | AF Amplifier | 207 | TI | GNG | GPA | AF Amplifier | 208 | TI | GNG | GPA | AF Amplifier | GT | 210 | GTC | GPA | Switching | 210 | TI | GNG | GPA | AF Amplifier | 220 | TI | GNG | GPA | AF Amplifier | 221 | TI | GNG | GPA | IF Amplifier | GT | 222 | GTC | GPA | General Use | 222 | TI | GNG | GPA | IF Amplifier | 223 | TI | GNG | GPA | Converter | 224 | TI | GNG | GPA | Detector | 225 | TI | GNG | GPA | IF Amplifier | 227 | TI | GNG | GPA | IF Amplifier | 228 | TI | GNG | GPA | Detector | GT | 229 | GTC | GNA | AF Amplifier | 234 | TI | CNA | IF Amplifier | IF Amplifier | 235 | TI | GNA | GPA | Converter | GT | 269 | GTC | GPA | RF Amplifier | 301 | TI | GPA | AF Amplifier | AF Amplifier | 302 | TI | GPA | AF Amplifier | AF Amplifier | 310 | TI | GPA | AF Amplifier | AF Amplifier | 310 | TI | GPA | AF Amplifier | AF Amplifier | | | | | | | | | | | | | | | | | | | | | | | | | | | | | | | | | | | | | | | | | | | | | | | | | | | | | | | | | | | | | | | | | | | | | | | | | | | | | | | | | | | | | | | | | | | | | | | | | | | | | | | | | | | | | | | | | | | | | | | | | | | | | | | | | | | | | | | | | | | | | | | | | | | | | | | | | | | | | | | | | | | | | | | | | | | | | | | | | | | | | | | | | | | | | | | | | | | | | | | | | | | | | | | | | | | | | | | | | | | | | | | | | | | | | | | | | | | | | | | | | | | | | | | | | | | | | | | | | | | | | | | | | | | | | | |
| 3N23A | BOG | GNG | RF Amplifier | RF Amplifier | 3N23B | BOG | GNG | RF Amplifier | RF Amplifier | 3N23C | BOG | GNG | RF Amplifier | RF Amplifier | 3N25 | TI | GPJ | VHF Amp | VHF Amp | 3N26 | TI | SNG | RF Amplifier | RF Amplifier | 3N27 | TI | SNG | RF Amplifier | RF Amplifier | 3N29 | GE | GNA | RF Amplifier | RF Amplifier | 3N30 | GE | GNA | RF Amplifier | RF Amplifier | 3N31 | GE | GNA | RF Amplifier | RF Amplifier | 3N32 | TI | SNG | RF Amplifier | RF Amplifier | 3N33 | TI | SNG | RF Amplifier | RF Amplifier | 3N34 | TI | SNG | RF Amplifier | RF Amplifier | 3N35 | TI | SNG | RF Amplifier | RF Amplifier | 3N36 | GE | GNG | RF Amplifier | RF Amplifier | 3N37 | GE | GNG | RF Amplifier | RF Amplifier | 4JD1B2 | GE | GPA | Switching | Switching | 4JD1B3 | GE | GPA | Switching | Switching | 4JD1B4 | GE | GPA | Switching | Switching | 4JD4A2 | GE | GNG | IF Amplifier | IF Amplifier | 4JD4A3 | GE | GNG | Switching | Switching | 4JD4A4 | GE | GNG | IF Amplifier | IF Amplifier | 4JD4A5 | GE | GNG | RF Amplifier | RF Amplifier | 5A | SPR | GC | Switching | Switching | 5B | CTP | SD | Photo Use | Photo Use | 5C | CTP | SD | Photo Use | Photo Use | 8D | SPR | GPA | AF Amplifier | AF Amplifier | 8E | SPR | GPA | AF Amplifier | AF Amplifier | 8F | SPR | GPA | AF Amplifier | AF Amplifier | 10A | CTP | SD | Photo Use | Photo Use | 10A | SPR | GPA | AF Amplifier | AF Amplifier | 10B | CTP | SD | Photo Use | Photo Use | 10B | SPR | GPA | AF Amplifier | AF Amplifier | 10C | SPR | GPA | AF Amplifier | AF Amplifier | 11A | CTP | SO | Photo Use | Photo Use | 11B | CTP | SD | Photo Use | Photo Use | ZJ | 12 | GE | SNG | AF Amplifier | CK | 13 | RK | GPA | RF Amplifier | ZJ | 13 | GE | GNG | AF Amplifier | MN | 13A | MOT | GPA | AF Amplifier | MN | 13B | MOT | GPA | AF Amplifier | MN | 13C | MOT | GPA | AF Amplifier | ZJ | 13 | GE | GNG | AF Amplifier | CK | 14 | RK | GPA | RF Amplifier | GT | 14 | GTC | GPA | AF Amplifier | RR | 14 | RR | GPA | AF Amplifier | ZJ | 14 | GE | SD | Switching | ZJ | 14H | GTC | GPA | AF Amplifier | OC | 16 | AMP | GPA | AF Power Amp | ZJ | 16 | CK | RR | AF Power Amp | CK | 17 | RR | RR | AF Power Amp | MN | 19 | MOT | GPA | AF Amplifier | GT | 20 | GTC | GPA | AF Amplifier | RR | 20 | RR | GPA | AF Amplifier | GT | 20H | GTC | GPA | AF Amplifier | MN | 21 | MOT | GPA | AF Power Amp | RR | 21 | RR | GPA | AF Amplifier | GT | 24 | GTC | GPA | AF Amplifier | MN | 24 | MOT | GPA | AF Power Amp | MN | 25 | MOT | GPA | AF Power Amp | CK | 26 | RK | MOT | Switching | MN | 26 | MOT | GPA | AF Power Amp | MN | 28 | MOT | GPA | AF Power Amp | MN | 29 | MOT | GPA | AF Power Amp | GT | 34 | GTC | GPA | AF Amplifier | RR | 34 | RR | GPA | AF Amplifier | T | 34A | NU | GPA | AF Amplifier | T | 34B | NU | GPA | AF Amplifier | T | 34C | NU | GPA | AF Amplifier | T | 34D | NU | GPA | AF Amplifier | T | 34E | NU | GPA | AF Amplifier | T | 34F | NU | GPA | AF Amplifier | GT | 34HV | GTC | GPA | Switching | GT | 34S | GTC | GPA | Detector | GT | 38 | GTC | GPA | AF Amplifier | RR | 38 | RR | GPA | AF Amplifier | OC | 44 | AMP | GPA | RF Amplifier | OC | 45 | AMP | GPA | RF Amplifier | OC | 50 | AMP | GC | Oscillator | OC | 51 | AMP | GC | Switching | OC | 65 | AMP | GC | AF Amplifier | CT | 66 | GTC | GPA | Photo Use | OC | 66 | AMP | GPA | AF Amplifier | RR | 66 | RR | SD | AF Amplifier | OC | 70 | AMP | GPA | AF Amplifier | OC | 71 | AMP | GPA | RF Amplifier | OC | 72 | AMP | GMA | AF Amplifier | ZJ | 72 | GE | GNG | VHF Amplifier | OC | 73 | AMP | GPA | AF Amplifier | ZJ | 73 | GE | GNG | AF Amplifier | GT | 74 | GTC | GPA | AF Amplifier | GT | 75 | GTC | GPA | AF Amplifier | OC | 76 | AMP | GPA | Switching | GT | 81 | GTC | GPA | AF Amplifier | GT | 81H | GTC | GPA | AF Amplifier | GT | 81HS | GTC | GPA | AF Amplifier | GT | 82 | GTC | GPA | Switching | GT | 83 | GTC | GPA | Switching | GT | 87 | GTC | GPA | Switching | GT | 88 | GTC | GPA | Switching | DR | 100 | TS | GPA | AF Amplifier | DR | 101 | TS | GPA | AF Amplifier | DR | 102 | TS | GPA | AF Amplifier | GT | 109 | GTC | GPA | AF Amplifier | GT | 122 | GTC | GPA | Switching | GT | 123 | GTC | GPA | Switching | RR | 125 | RR | GPA | AF Amplifier | DR | 126 | TS | GPA | AF Amplifier | DR | 128 | TS | GPA | AF Amplifier | DR | 129 | TS | GPA | General Use | DR | 130 | TS | GPA | General Use | DR | 131 | TS | GPA | General Use | DR | 132 | TS | GPA | General Use | DR | 139 | TS | GPA | General Use | DR | 147 | TS | GPA | AF Power Amp | GT | 153 | GT | GPA | Switching | DR | 154 | TS | GPA | General Use | DR | 155 | TS | GPA | General Use | TS | 161 | TS | GMA | AF Amplifier | TS | 162 | TS | GMA | General Use | TS | 163 | TS | GPA | AF Amplifier | TS | 164 | TS | GPA | AF Amplifier | TS | 165 | TS | GPA | AF Amplifier | TS | 166 | TS | GPA | AF Amplifier | GT | 167 | GTC | GPA | Switching | TS | 176 | TS | GPA | AF Power Amp | 200 | TI | GNG | GPA | General Use | 201 | TI | GNG | GPA | General Use | 202 | TI | GNG | GPA | General Use | 206 | TI | GNG | GPA | AF Amplifier | 207 | TI | GNG | GPA | AF Amplifier | 208 | TI | GNG | GPA | AF Amplifier | GT | 210 | GTC | GPA | Switching | 210 | TI | GNG | GPA | AF Amplifier | 220 | TI | GNG | GPA | AF Amplifier | 221 | TI | GNG | GPA | IF Amplifier | GT | 222 | GTC | GPA | General Use | 222 | TI | GNG | GPA | IF Amplifier | 223 | TI | GNG | GPA | Converter | 224 | TI | GNG | GPA | Detector | 225 | TI | GNG | GPA | IF Amplifier | 227 | TI | GNG | GPA | IF Amplifier | 228 | TI | GNG | GPA | Detector | GT | 229 | GTC | GNA | AF Amplifier | 234 | TI | CNA | IF Amplifier | IF Amplifier | 235 | TI | GNA | GPA | Converter | GT | 269 | GTC | GPA | RF Amplifier | 301 | TI | GPA | AF Amplifier | AF Amplifier | 302 | TI | GPA | AF Amplifier | AF Amplifier | 310 | TI | GPA | AF Amplifier | AF Amplifier | 310 | TI | GPA | AF Amplifier | AF Amplifier | | | | | | | | | | | | | | | | | | | | | | | | | | | | | | | | | | | | | | | | | | | | | | | | | | | | | | | | | | | | | | | | | | | | | | | | | | | | | | | | | | | | | | | | | | | | | | | | | | | | | | | | | | | | | | | | | | | | | | | | | | | | | | | | | | | | | | | | | | | | | | | | | | | | | | | | | | | | | | | | | | | | | | | | | | | | | | | | | | | | | | | | | | | | | | | | | | | | | | | | | | | | | | | | | | | | | | | | | | | | | | | | | | | | | | | | | | | | | | | | | | | | | | | | | | | | | | | | | | | | | | | | | | | | | | | | | | | |
| 3N23B | BOG | GNG | RF Amplifier | RF Amplifier | 3N23C | BOG | GNG | RF Amplifier | RF Amplifier | 3N25 | TI | GPJ | VHF Amp | VHF Amp | 3N26 | TI | SNG | RF Amplifier | RF Amplifier | 3N27 | TI | SNG | RF Amplifier | RF Amplifier | 3N29 | GE | GNA | RF Amplifier | RF Amplifier | 3N30 | GE | GNA | RF Amplifier | RF Amplifier | 3N31 | GE | GNA | RF Amplifier | RF Amplifier | 3N32 | TI | SNG | RF Amplifier | RF Amplifier | 3N33 | TI | SNG | RF Amplifier | RF Amplifier | 3N34 | TI | SNG | RF Amplifier | RF Amplifier | 3N35 | TI | SNG | RF Amplifier | RF Amplifier | 3N36 | GE | GNG | RF Amplifier | RF Amplifier | 3N37 | GE | GNG | RF Amplifier | RF Amplifier | 4JD1B2 | GE | GPA | Switching | Switching | 4JD1B3 | GE | GPA | Switching | Switching | 4JD1B4 | GE | GPA | Switching | Switching | 4JD4A2 | GE | GNG | IF Amplifier | IF Amplifier | 4JD4A3 | GE | GNG | Switching | Switching | 4JD4A4 | GE | GNG | IF Amplifier | IF Amplifier | 4JD4A5 | GE | GNG | RF Amplifier | RF Amplifier | 5A | SPR | GC | Switching | Switching | 5B | CTP | SD | Photo Use | Photo Use | 5C | CTP | SD | Photo Use | Photo Use | 8D | SPR | GPA | AF Amplifier | AF Amplifier | 8E | SPR | GPA | AF Amplifier | AF Amplifier | 8F | SPR | GPA | AF Amplifier | AF Amplifier | 10A | CTP | SD | Photo Use | Photo Use | 10A | SPR | GPA | AF Amplifier | AF Amplifier | 10B | CTP | SD | Photo Use | Photo Use | 10B | SPR | GPA | AF Amplifier | AF Amplifier | 10C | SPR | GPA | AF Amplifier | AF Amplifier | 11A | CTP | SO | Photo Use | Photo Use | 11B | CTP | SD | Photo Use | Photo Use | ZJ | 12 | GE | SNG | AF Amplifier | CK | 13 | RK | GPA | RF Amplifier | ZJ | 13 | GE | GNG | AF Amplifier | MN | 13A | MOT | GPA | AF Amplifier | MN | 13B | MOT | GPA | AF Amplifier | MN | 13C | MOT | GPA | AF Amplifier | ZJ | 13 | GE | GNG | AF Amplifier | CK | 14 | RK | GPA | RF Amplifier | GT | 14 | GTC | GPA | AF Amplifier | RR | 14 | RR | GPA | AF Amplifier | ZJ | 14 | GE | SD | Switching | ZJ | 14H | GTC | GPA | AF Amplifier | OC | 16 | AMP | GPA | AF Power Amp | ZJ | 16 | CK | RR | AF Power Amp | CK | 17 | RR | RR | AF Power Amp | MN | 19 | MOT | GPA | AF Amplifier | GT | 20 | GTC | GPA | AF Amplifier | RR | 20 | RR | GPA | AF Amplifier | GT | 20H | GTC | GPA | AF Amplifier | MN | 21 | MOT | GPA | AF Power Amp | RR | 21 | RR | GPA | AF Amplifier | GT | 24 | GTC | GPA | AF Amplifier | MN | 24 | MOT | GPA | AF Power Amp | MN | 25 | MOT | GPA | AF Power Amp | CK | 26 | RK | MOT | Switching | MN | 26 | MOT | GPA | AF Power Amp | MN | 28 | MOT | GPA | AF Power Amp | MN | 29 | MOT | GPA | AF Power Amp | GT | 34 | GTC | GPA | AF Amplifier | RR | 34 | RR | GPA | AF Amplifier | T | 34A | NU | GPA | AF Amplifier | T | 34B | NU | GPA | AF Amplifier | T | 34C | NU | GPA | AF Amplifier | T | 34D | NU | GPA | AF Amplifier | T | 34E | NU | GPA | AF Amplifier | T | 34F | NU | GPA | AF Amplifier | GT | 34HV | GTC | GPA | Switching | GT | 34S | GTC | GPA | Detector | GT | 38 | GTC | GPA | AF Amplifier | RR | 38 | RR | GPA | AF Amplifier | OC | 44 | AMP | GPA | RF Amplifier | OC | 45 | AMP | GPA | RF Amplifier | OC | 50 | AMP | GC | Oscillator | OC | 51 | AMP | GC | Switching | OC | 65 | AMP | GC | AF Amplifier | CT | 66 | GTC | GPA | Photo Use | OC | 66 | AMP | GPA | AF Amplifier | RR | 66 | RR | SD | AF Amplifier | OC | 70 | AMP | GPA | AF Amplifier | OC | 71 | AMP | GPA | RF Amplifier | OC | 72 | AMP | GMA | AF Amplifier | ZJ | 72 | GE | GNG | VHF Amplifier | OC | 73 | AMP | GPA | AF Amplifier | ZJ | 73 | GE | GNG | AF Amplifier | GT | 74 | GTC | GPA | AF Amplifier | GT | 75 | GTC | GPA | AF Amplifier | OC | 76 | AMP | GPA | Switching | GT | 81 | GTC | GPA | AF Amplifier | GT | 81H | GTC | GPA | AF Amplifier | GT | 81HS | GTC | GPA | AF Amplifier | GT | 82 | GTC | GPA | Switching | GT | 83 | GTC | GPA | Switching | GT | 87 | GTC | GPA | Switching | GT | 88 | GTC | GPA | Switching | DR | 100 | TS | GPA | AF Amplifier | DR | 101 | TS | GPA | AF Amplifier | DR | 102 | TS | GPA | AF Amplifier | GT | 109 | GTC | GPA | AF Amplifier | GT | 122 | GTC | GPA | Switching | GT | 123 | GTC | GPA | Switching | RR | 125 | RR | GPA | AF Amplifier | DR | 126 | TS | GPA | AF Amplifier | DR | 128 | TS | GPA | AF Amplifier | DR | 129 | TS | GPA | General Use | DR | 130 | TS | GPA | General Use | DR | 131 | TS | GPA | General Use | DR | 132 | TS | GPA | General Use | DR | 139 | TS | GPA | General Use | DR | 147 | TS | GPA | AF Power Amp | GT | 153 | GT | GPA | Switching | DR | 154 | TS | GPA | General Use | DR | 155 | TS | GPA | General Use | TS | 161 | TS | GMA | AF Amplifier | TS | 162 | TS | GMA | General Use | TS | 163 | TS | GPA | AF Amplifier | TS | 164 | TS | GPA | AF Amplifier | TS | 165 | TS | GPA | AF Amplifier | TS | 166 | TS | GPA | AF Amplifier | GT | 167 | GTC | GPA | Switching | TS | 176 | TS | GPA | AF Power Amp | 200 | TI | GNG | GPA | General Use | 201 | TI | GNG | GPA | General Use | 202 | TI | GNG | GPA | General Use | 206 | TI | GNG | GPA | AF Amplifier | 207 | TI | GNG | GPA | AF Amplifier | 208 | TI | GNG | GPA | AF Amplifier | GT | 210 | GTC | GPA | Switching | 210 | TI | GNG | GPA | AF Amplifier | 220 | TI | GNG | GPA | AF Amplifier | 221 | TI | GNG | GPA | IF Amplifier | GT | 222 | GTC | GPA | General Use | 222 | TI | GNG | GPA | IF Amplifier | 223 | TI | GNG | GPA | Converter | 224 | TI | GNG | GPA | Detector | 225 | TI | GNG | GPA | IF Amplifier | 227 | TI | GNG | GPA | IF Amplifier | 228 | TI | GNG | GPA | Detector | GT | 229 | GTC | GNA | AF Amplifier | 234 | TI | CNA | IF Amplifier | IF Amplifier | 235 | TI | GNA | GPA | Converter | GT | 269 | GTC | GPA | RF Amplifier | 301 | TI | GPA | AF Amplifier | AF Amplifier | 302 | TI | GPA | AF Amplifier | AF Amplifier | 310 | TI | GPA | AF Amplifier | AF Amplifier | 310 | TI | GPA | AF Amplifier | AF Amplifier | | | | | | | | | | | | | | | | | | | | | | | | | | | | | | | | | | | | | | | | | | | | | | | | | | | | | | | | | | | | | | | | | | | | | | | | | | | | | | | | | | | | | | | | | | | | | | | | | | | | | | | | | | | | | | | | | | | | | | | | | | | | | | | | | | | | | | | | | | | | | | | | | | | | | | | | | | | | | | | | | | | | | | | | | | | | | | | | | | | | | | | | | | | | | | | | | | | | | | | | | | | | | | | | | | | | | | | | | | | | | | | | | | | | | | | | | | | | | | | | | | | | | | | | | | | | | | | | | | | | | | | | | | | | | | | | | | | | | | | | |
| 3N23C | BOG | GNG | RF Amplifier | RF Amplifier | 3N25 | TI | GPJ | VHF Amp | VHF Amp | 3N26 | TI | SNG | RF Amplifier | RF Amplifier | 3N27 | TI | SNG | RF Amplifier | RF Amplifier | 3N29 | GE | GNA | RF Amplifier | RF Amplifier | 3N30 | GE | GNA | RF Amplifier | RF Amplifier | 3N31 | GE | GNA | RF Amplifier | RF Amplifier | 3N32 | TI | SNG | RF Amplifier | RF Amplifier | 3N33 | TI | SNG | RF Amplifier | RF Amplifier | 3N34 | TI | SNG | RF Amplifier | RF Amplifier | 3N35 | TI | SNG | RF Amplifier | RF Amplifier | 3N36 | GE | GNG | RF Amplifier | RF Amplifier | 3N37 | GE | GNG | RF Amplifier | RF Amplifier | 4JD1B2 | GE | GPA | Switching | Switching | 4JD1B3 | GE | GPA | Switching | Switching | 4JD1B4 | GE | GPA | Switching | Switching | 4JD4A2 | GE | GNG | IF Amplifier | IF Amplifier | 4JD4A3 | GE | GNG | Switching | Switching | 4JD4A4 | GE | GNG | IF Amplifier | IF Amplifier | 4JD4A5 | GE | GNG | RF Amplifier | RF Amplifier | 5A | SPR | GC | Switching | Switching | 5B | CTP | SD | Photo Use | Photo Use | 5C | CTP | SD | Photo Use | Photo Use | 8D | SPR | GPA | AF Amplifier | AF Amplifier | 8E | SPR | GPA | AF Amplifier | AF Amplifier | 8F | SPR | GPA | AF Amplifier | AF Amplifier | 10A | CTP | SD | Photo Use | Photo Use | 10A | SPR | GPA | AF Amplifier | AF Amplifier | 10B | CTP | SD | Photo Use | Photo Use | 10B | SPR | GPA | AF Amplifier | AF Amplifier | 10C | SPR | GPA | AF Amplifier | AF Amplifier | 11A | CTP | SO | Photo Use | Photo Use | 11B | CTP | SD | Photo Use | Photo Use | ZJ | 12 | GE | SNG | AF Amplifier | CK | 13 | RK | GPA | RF Amplifier | ZJ | 13 | GE | GNG | AF Amplifier | MN | 13A | MOT | GPA | AF Amplifier | MN | 13B | MOT | GPA | AF Amplifier | MN | 13C | MOT | GPA | AF Amplifier | ZJ | 13 | GE | GNG | AF Amplifier | CK | 14 | RK | GPA | RF Amplifier | GT | 14 | GTC | GPA | AF Amplifier | RR | 14 | RR | GPA | AF Amplifier | ZJ | 14 | GE | SD | Switching | ZJ | 14H | GTC | GPA | AF Amplifier | OC | 16 | AMP | GPA | AF Power Amp | ZJ | 16 | CK | RR | AF Power Amp | CK | 17 | RR | RR | AF Power Amp | MN | 19 | MOT | GPA | AF Amplifier | GT | 20 | GTC | GPA | AF Amplifier | RR | 20 | RR | GPA | AF Amplifier | GT | 20H | GTC | GPA | AF Amplifier | MN | 21 | MOT | GPA | AF Power Amp | RR | 21 | RR | GPA | AF Amplifier | GT | 24 | GTC | GPA | AF Amplifier | MN | 24 | MOT | GPA | AF Power Amp | MN | 25 | MOT | GPA | AF Power Amp | CK | 26 | RK | MOT | Switching | MN | 26 | MOT | GPA | AF Power Amp | MN | 28 | MOT | GPA | AF Power Amp | MN | 29 | MOT | GPA | AF Power Amp | GT | 34 | GTC | GPA | AF Amplifier | RR | 34 | RR | GPA | AF Amplifier | T | 34A | NU | GPA | AF Amplifier | T | 34B | NU | GPA | AF Amplifier | T | 34C | NU | GPA | AF Amplifier | T | 34D | NU | GPA | AF Amplifier | T | 34E | NU | GPA | AF Amplifier | T | 34F | NU | GPA | AF Amplifier | GT | 34HV | GTC | GPA | Switching | GT | 34S | GTC | GPA | Detector | GT | 38 | GTC | GPA | AF Amplifier | RR | 38 | RR | GPA | AF Amplifier | OC | 44 | AMP | GPA | RF Amplifier | OC | 45 | AMP | GPA | RF Amplifier | OC | 50 | AMP | GC | Oscillator | OC | 51 | AMP | GC | Switching | OC | 65 | AMP | GC | AF Amplifier | CT | 66 | GTC | GPA | Photo Use | OC | 66 | AMP | GPA | AF Amplifier | RR | 66 | RR | SD | AF Amplifier | OC | 70 | AMP | GPA | AF Amplifier | OC | 71 | AMP | GPA | RF Amplifier | OC | 72 | AMP | GMA | AF Amplifier | ZJ | 72 | GE | GNG | VHF Amplifier | OC | 73 | AMP | GPA | AF Amplifier | ZJ | 73 | GE | GNG | AF Amplifier | GT | 74 | GTC | GPA | AF Amplifier | GT | 75 | GTC | GPA | AF Amplifier | OC | 76 | AMP | GPA | Switching | GT | 81 | GTC | GPA | AF Amplifier | GT | 81H | GTC | GPA | AF Amplifier | GT | 81HS | GTC | GPA | AF Amplifier | GT | 82 | GTC | GPA | Switching | GT | 83 | GTC | GPA | Switching | GT | 87 | GTC | GPA | Switching | GT | 88 | GTC | GPA | Switching | DR | 100 | TS | GPA | AF Amplifier | DR | 101 | TS | GPA | AF Amplifier | DR | 102 | TS | GPA | AF Amplifier | GT | 109 | GTC | GPA | AF Amplifier | GT | 122 | GTC | GPA | Switching | GT | 123 | GTC | GPA | Switching | RR | 125 | RR | GPA | AF Amplifier | DR | 126 | TS | GPA | AF Amplifier | DR | 128 | TS | GPA | AF Amplifier | DR | 129 | TS | GPA | General Use | DR | 130 | TS | GPA | General Use | DR | 131 | TS | GPA | General Use | DR | 132 | TS | GPA | General Use | DR | 139 | TS | GPA | General Use | DR | 147 | TS | GPA | AF Power Amp | GT | 153 | GT | GPA | Switching | DR | 154 | TS | GPA | General Use | DR | 155 | TS | GPA | General Use | TS | 161 | TS | GMA | AF Amplifier | TS | 162 | TS | GMA | General Use | TS | 163 | TS | GPA | AF Amplifier | TS | 164 | TS | GPA | AF Amplifier | TS | 165 | TS | GPA | AF Amplifier | TS | 166 | TS | GPA | AF Amplifier | GT | 167 | GTC | GPA | Switching | TS | 176 | TS | GPA | AF Power Amp | 200 | TI | GNG | GPA | General Use | 201 | TI | GNG | GPA | General Use | 202 | TI | GNG | GPA | General Use | 206 | TI | GNG | GPA | AF Amplifier | 207 | TI | GNG | GPA | AF Amplifier | 208 | TI | GNG | GPA | AF Amplifier | GT | 210 | GTC | GPA | Switching | 210 | TI | GNG | GPA | AF Amplifier | 220 | TI | GNG | GPA | AF Amplifier | 221 | TI | GNG | GPA | IF Amplifier | GT | 222 | GTC | GPA | General Use | 222 | TI | GNG | GPA | IF Amplifier | 223 | TI | GNG | GPA | Converter | 224 | TI | GNG | GPA | Detector | 225 | TI | GNG | GPA | IF Amplifier | 227 | TI | GNG | GPA | IF Amplifier | 228 | TI | GNG | GPA | Detector | GT | 229 | GTC | GNA | AF Amplifier | 234 | TI | CNA | IF Amplifier | IF Amplifier | 235 | TI | GNA | GPA | Converter | GT | 269 | GTC | GPA | RF Amplifier | 301 | TI | GPA | AF Amplifier | AF Amplifier | 302 | TI | GPA | AF Amplifier | AF Amplifier | 310 | TI | GPA | AF Amplifier | AF Amplifier | 310 | TI | GPA | AF Amplifier | AF Amplifier | | | | | | | | | | | | | | | | | | | | | | | | | | | | | | | | | | | | | | | | | | | | | | | | | | | | | | | | | | | | | | | | | | | | | | | | | | | | | | | | | | | | | | | | | | | | | | | | | | | | | | | | | | | | | | | | | | | | | | | | | | | | | | | | | | | | | | | | | | | | | | | | | | | | | | | | | | | | | | | | | | | | | | | | | | | | | | | | | | | | | | | | | | | | | | | | | | | | | | | | | | | | | | | | | | | | | | | | | | | | | | | | | | | | | | | | | | | | | | | | | | | | | | | | | | | | | | | | | | | | | | | | | | | | | | | | | | | | | | | | | | | | | |
| 3N25 | TI | GPJ | VHF Amp | VHF Amp | 3N26 | TI | SNG | RF Amplifier | RF Amplifier | 3N27 | TI | SNG | RF Amplifier | RF Amplifier | 3N29 | GE | GNA | RF Amplifier | RF Amplifier | 3N30 | GE | GNA | RF Amplifier | RF Amplifier | 3N31 | GE | GNA | RF Amplifier | RF Amplifier | 3N32 | TI | SNG | RF Amplifier | RF Amplifier | 3N33 | TI | SNG | RF Amplifier | RF Amplifier | 3N34 | TI | SNG | RF Amplifier | RF Amplifier | 3N35 | TI | SNG | RF Amplifier | RF Amplifier | 3N36 | GE | GNG | RF Amplifier | RF Amplifier | 3N37 | GE | GNG | RF Amplifier | RF Amplifier | 4JD1B2 | GE | GPA | Switching | Switching | 4JD1B3 | GE | GPA | Switching | Switching | 4JD1B4 | GE | GPA | Switching | Switching | 4JD4A2 | GE | GNG | IF Amplifier | IF Amplifier | 4JD4A3 | GE | GNG | Switching | Switching | 4JD4A4 | GE | GNG | IF Amplifier | IF Amplifier | 4JD4A5 | GE | GNG | RF Amplifier | RF Amplifier | 5A | SPR | GC | Switching | Switching | 5B | CTP | SD | Photo Use | Photo Use | 5C | CTP | SD | Photo Use | Photo Use | 8D | SPR | GPA | AF Amplifier | AF Amplifier | 8E | SPR | GPA | AF Amplifier | AF Amplifier | 8F | SPR | GPA | AF Amplifier | AF Amplifier | 10A | CTP | SD | Photo Use | Photo Use | 10A | SPR | GPA | AF Amplifier | AF Amplifier | 10B | CTP | SD | Photo Use | Photo Use | 10B | SPR | GPA | AF Amplifier | AF Amplifier | 10C | SPR | GPA | AF Amplifier | AF Amplifier | 11A | CTP | SO | Photo Use | Photo Use | 11B | CTP | SD | Photo Use | Photo Use | ZJ | 12 | GE | SNG | AF Amplifier | CK | 13 | RK | GPA | RF Amplifier | ZJ | 13 | GE | GNG | AF Amplifier | MN | 13A | MOT | GPA | AF Amplifier | MN | 13B | MOT | GPA | AF Amplifier | MN | 13C | MOT | GPA | AF Amplifier | ZJ | 13 | GE | GNG | AF Amplifier | CK | 14 | RK | GPA | RF Amplifier | GT | 14 | GTC | GPA | AF Amplifier | RR | 14 | RR | GPA | AF Amplifier | ZJ | 14 | GE | SD | Switching | ZJ | 14H | GTC | GPA | AF Amplifier | OC | 16 | AMP | GPA | AF Power Amp | ZJ | 16 | CK | RR | AF Power Amp | CK | 17 | RR | RR | AF Power Amp | MN | 19 | MOT | GPA | AF Amplifier | GT | 20 | GTC | GPA | AF Amplifier | RR | 20 | RR | GPA | AF Amplifier | GT | 20H | GTC | GPA | AF Amplifier | MN | 21 | MOT | GPA | AF Power Amp | RR | 21 | RR | GPA | AF Amplifier | GT | 24 | GTC | GPA | AF Amplifier | MN | 24 | MOT | GPA | AF Power Amp | MN | 25 | MOT | GPA | AF Power Amp | CK | 26 | RK | MOT | Switching | MN | 26 | MOT | GPA | AF Power Amp | MN | 28 | MOT | GPA | AF Power Amp | MN | 29 | MOT | GPA | AF Power Amp | GT | 34 | GTC | GPA | AF Amplifier | RR | 34 | RR | GPA | AF Amplifier | T | 34A | NU | GPA | AF Amplifier | T | 34B | NU | GPA | AF Amplifier | T | 34C | NU | GPA | AF Amplifier | T | 34D | NU | GPA | AF Amplifier | T | 34E | NU | GPA | AF Amplifier | T | 34F | NU | GPA | AF Amplifier | GT | 34HV | GTC | GPA | Switching | GT | 34S | GTC | GPA | Detector | GT | 38 | GTC | GPA | AF Amplifier | RR | 38 | RR | GPA | AF Amplifier | OC | 44 | AMP | GPA | RF Amplifier | OC | 45 | AMP | GPA | RF Amplifier | OC | 50 | AMP | GC | Oscillator | OC | 51 | AMP | GC | Switching | OC | 65 | AMP | GC | AF Amplifier | CT | 66 | GTC | GPA | Photo Use | OC | 66 | AMP | GPA | AF Amplifier | RR | 66 | RR | SD | AF Amplifier | OC | 70 | AMP | GPA | AF Amplifier | OC | 71 | AMP | GPA | RF Amplifier | OC | 72 | AMP | GMA | AF Amplifier | ZJ | 72 | GE | GNG | VHF Amplifier | OC | 73 | AMP | GPA | AF Amplifier | ZJ | 73 | GE | GNG | AF Amplifier | GT | 74 | GTC | GPA | AF Amplifier | GT | 75 | GTC | GPA | AF Amplifier | OC | 76 | AMP | GPA | Switching | GT | 81 | GTC | GPA | AF Amplifier | GT | 81H | GTC | GPA | AF Amplifier | GT | 81HS | GTC | GPA | AF Amplifier | GT | 82 | GTC | GPA | Switching | GT | 83 | GTC | GPA | Switching | GT | 87 | GTC | GPA | Switching | GT | 88 | GTC | GPA | Switching | DR | 100 | TS | GPA | AF Amplifier | DR | 101 | TS | GPA | AF Amplifier | DR | 102 | TS | GPA | AF Amplifier | GT | 109 | GTC | GPA | AF Amplifier | GT | 122 | GTC | GPA | Switching | GT | 123 | GTC | GPA | Switching | RR | 125 | RR | GPA | AF Amplifier | DR | 126 | TS | GPA | AF Amplifier | DR | 128 | TS | GPA | AF Amplifier | DR | 129 | TS | GPA | General Use | DR | 130 | TS | GPA | General Use | DR | 131 | TS | GPA | General Use | DR | 132 | TS | GPA | General Use | DR | 139 | TS | GPA | General Use | DR | 147 | TS | GPA | AF Power Amp | GT | 153 | GT | GPA | Switching | DR | 154 | TS | GPA | General Use | DR | 155 | TS | GPA | General Use | TS | 161 | TS | GMA | AF Amplifier | TS | 162 | TS | GMA | General Use | TS | 163 | TS | GPA | AF Amplifier | TS | 164 | TS | GPA | AF Amplifier | TS | 165 | TS | GPA | AF Amplifier | TS | 166 | TS | GPA | AF Amplifier | GT | 167 | GTC | GPA | Switching | TS | 176 | TS | GPA | AF Power Amp | 200 | TI | GNG | GPA | General Use | 201 | TI | GNG | GPA | General Use | 202 | TI | GNG | GPA | General Use | 206 | TI | GNG | GPA | AF Amplifier | 207 | TI | GNG | GPA | AF Amplifier | 208 | TI | GNG | GPA | AF Amplifier | GT | 210 | GTC | GPA | Switching | 210 | TI | GNG | GPA | AF Amplifier | 220 | TI | GNG | GPA | AF Amplifier | 221 | TI | GNG | GPA | IF Amplifier | GT | 222 | GTC | GPA | General Use | 222 | TI | GNG | GPA | IF Amplifier | 223 | TI | GNG | GPA | Converter | 224 | TI | GNG | GPA | Detector | 225 | TI | GNG | GPA | IF Amplifier | 227 | TI | GNG | GPA | IF Amplifier | 228 | TI | GNG | GPA | Detector | GT | 229 | GTC | GNA | AF Amplifier | 234 | TI | CNA | IF Amplifier | IF Amplifier | 235 | TI | GNA | GPA | Converter | GT | 269 | GTC | GPA | RF Amplifier | 301 | TI | GPA | AF Amplifier | AF Amplifier | 302 | TI | GPA | AF Amplifier | AF Amplifier | 310 | TI | GPA | AF Amplifier | AF Amplifier | 310 | TI | GPA | AF Amplifier | AF Amplifier | | | | | | | | | | | | | | | | | | | | | | | | | | | | | | | | | | | | | | | | | | | | | | | | | | | | | | | | | | | | | | | | | | | | | | | | | | | | | | | | | | | | | | | | | | | | | | | | | | | | | | | | | | | | | | | | | | | | | | | | | | | | | | | | | | | | | | | | | | | | | | | | | | | | | | | | | | | | | | | | | | | | | | | | | | | | | | | | | | | | | | | | | | | | | | | | | | | | | | | | | | | | | | | | | | | | | | | | | | | | | | | | | | | | | | | | | | | | | | | | | | | | | | | | | | | | | | | | | | | | | | | | | | | | | | | | | | | | | | | | | | | | | | | | | | |
| 3N26 | TI | SNG | RF Amplifier | RF Amplifier | 3N27 | TI | SNG | RF Amplifier | RF Amplifier | 3N29 | GE | GNA | RF Amplifier | RF Amplifier | 3N30 | GE | GNA | RF Amplifier | RF Amplifier | 3N31 | GE | GNA | RF Amplifier | RF Amplifier | 3N32 | TI | SNG | RF Amplifier | RF Amplifier | 3N33 | TI | SNG | RF Amplifier | RF Amplifier | 3N34 | TI | SNG | RF Amplifier | RF Amplifier | 3N35 | TI | SNG | RF Amplifier | RF Amplifier | 3N36 | GE | GNG | RF Amplifier | RF Amplifier | 3N37 | GE | GNG | RF Amplifier | RF Amplifier | 4JD1B2 | GE | GPA | Switching | Switching | 4JD1B3 | GE | GPA | Switching | Switching | 4JD1B4 | GE | GPA | Switching | Switching | 4JD4A2 | GE | GNG | IF Amplifier | IF Amplifier | 4JD4A3 | GE | GNG | Switching | Switching | 4JD4A4 | GE | GNG | IF Amplifier | IF Amplifier | 4JD4A5 | GE | GNG | RF Amplifier | RF Amplifier | 5A | SPR | GC | Switching | Switching | 5B | CTP | SD | Photo Use | Photo Use | 5C | CTP | SD | Photo Use | Photo Use | 8D | SPR | GPA | AF Amplifier | AF Amplifier | 8E | SPR | GPA | AF Amplifier | AF Amplifier | 8F | SPR | GPA | AF Amplifier | AF Amplifier | 10A | CTP | SD | Photo Use | Photo Use | 10A | SPR | GPA | AF Amplifier | AF Amplifier | 10B | CTP | SD | Photo Use | Photo Use | 10B | SPR | GPA | AF Amplifier | AF Amplifier | 10C | SPR | GPA | AF Amplifier | AF Amplifier | 11A | CTP | SO | Photo Use | Photo Use | 11B | CTP | SD | Photo Use | Photo Use | ZJ | 12 | GE | SNG | AF Amplifier | CK | 13 | RK | GPA | RF Amplifier | ZJ | 13 | GE | GNG | AF Amplifier | MN | 13A | MOT | GPA | AF Amplifier | MN | 13B | MOT | GPA | AF Amplifier | MN | 13C | MOT | GPA | AF Amplifier | ZJ | 13 | GE | GNG | AF Amplifier | CK | 14 | RK | GPA | RF Amplifier | GT | 14 | GTC | GPA | AF Amplifier | RR | 14 | RR | GPA | AF Amplifier | ZJ | 14 | GE | SD | Switching | ZJ | 14H | GTC | GPA | AF Amplifier | OC | 16 | AMP | GPA | AF Power Amp | ZJ | 16 | CK | RR | AF Power Amp | CK | 17 | RR | RR | AF Power Amp | MN | 19 | MOT | GPA | AF Amplifier | GT | 20 | GTC | GPA | AF Amplifier | RR | 20 | RR | GPA | AF Amplifier | GT | 20H | GTC | GPA | AF Amplifier | MN | 21 | MOT | GPA | AF Power Amp | RR | 21 | RR | GPA | AF Amplifier | GT | 24 | GTC | GPA | AF Amplifier | MN | 24 | MOT | GPA | AF Power Amp | MN | 25 | MOT | GPA | AF Power Amp | CK | 26 | RK | MOT | Switching | MN | 26 | MOT | GPA | AF Power Amp | MN | 28 | MOT | GPA | AF Power Amp | MN | 29 | MOT | GPA | AF Power Amp | GT | 34 | GTC | GPA | AF Amplifier | RR | 34 | RR | GPA | AF Amplifier | T | 34A | NU | GPA | AF Amplifier | T | 34B | NU | GPA | AF Amplifier | T | 34C | NU | GPA | AF Amplifier | T | 34D | NU | GPA | AF Amplifier | T | 34E | NU | GPA | AF Amplifier | T | 34F | NU | GPA | AF Amplifier | GT | 34HV | GTC | GPA | Switching | GT | 34S | GTC | GPA | Detector | GT | 38 | GTC | GPA | AF Amplifier | RR | 38 | RR | GPA | AF Amplifier | OC | 44 | AMP | GPA | RF Amplifier | OC | 45 | AMP | GPA | RF Amplifier | OC | 50 | AMP | GC | Oscillator | OC | 51 | AMP | GC | Switching | OC | 65 | AMP | GC | AF Amplifier | CT | 66 | GTC | GPA | Photo Use | OC | 66 | AMP | GPA | AF Amplifier | RR | 66 | RR | SD | AF Amplifier | OC | 70 | AMP | GPA | AF Amplifier | OC | 71 | AMP | GPA | RF Amplifier | OC | 72 | AMP | GMA | AF Amplifier | ZJ | 72 | GE | GNG | VHF Amplifier | OC | 73 | AMP | GPA | AF Amplifier | ZJ | 73 | GE | GNG | AF Amplifier | GT | 74 | GTC | GPA | AF Amplifier | GT | 75 | GTC | GPA | AF Amplifier | OC | 76 | AMP | GPA | Switching | GT | 81 | GTC | GPA | AF Amplifier | GT | 81H | GTC | GPA | AF Amplifier | GT | 81HS | GTC | GPA | AF Amplifier | GT | 82 | GTC | GPA | Switching | GT | 83 | GTC | GPA | Switching | GT | 87 | GTC | GPA | Switching | GT | 88 | GTC | GPA | Switching | DR | 100 | TS | GPA | AF Amplifier | DR | 101 | TS | GPA | AF Amplifier | DR | 102 | TS | GPA | AF Amplifier | GT | 109 | GTC | GPA | AF Amplifier | GT | 122 | GTC | GPA | Switching | GT | 123 | GTC | GPA | Switching | RR | 125 | RR | GPA | AF Amplifier | DR | 126 | TS | GPA | AF Amplifier | DR | 128 | TS | GPA | AF Amplifier | DR | 129 | TS | GPA | General Use | DR | 130 | TS | GPA | General Use | DR | 131 | TS | GPA | General Use | DR | 132 | TS | GPA | General Use | DR | 139 | TS | GPA | General Use | DR | 147 | TS | GPA | AF Power Amp | GT | 153 | GT | GPA | Switching | DR | 154 | TS | GPA | General Use | DR | 155 | TS | GPA | General Use | TS | 161 | TS | GMA | AF Amplifier | TS | 162 | TS | GMA | General Use | TS | 163 | TS | GPA | AF Amplifier | TS | 164 | TS | GPA | AF Amplifier | TS | 165 | TS | GPA | AF Amplifier | TS | 166 | TS | GPA | AF Amplifier | GT | 167 | GTC | GPA | Switching | TS | 176 | TS | GPA | AF Power Amp | 200 | TI | GNG | GPA | General Use | 201 | TI | GNG | GPA | General Use | 202 | TI | GNG | GPA | General Use | 206 | TI | GNG | GPA | AF Amplifier | 207 | TI | GNG | GPA | AF Amplifier | 208 | TI | GNG | GPA | AF Amplifier | GT | 210 | GTC | GPA | Switching | 210 | TI | GNG | GPA | AF Amplifier | 220 | TI | GNG | GPA | AF Amplifier | 221 | TI | GNG | GPA | IF Amplifier | GT | 222 | GTC | GPA | General Use | 222 | TI | GNG | GPA | IF Amplifier | 223 | TI | GNG | GPA | Converter | 224 | TI | GNG | GPA | Detector | 225 | TI | GNG | GPA | IF Amplifier | 227 | TI | GNG | GPA | IF Amplifier | 228 | TI | GNG | GPA | Detector | GT | 229 | GTC | GNA | AF Amplifier | 234 | TI | CNA | IF Amplifier | IF Amplifier | 235 | TI | GNA | GPA | Converter | GT | 269 | GTC | GPA | RF Amplifier | 301 | TI | GPA | AF Amplifier | AF Amplifier | 302 | TI | GPA | AF Amplifier | AF Amplifier | 310 | TI | GPA | AF Amplifier | AF Amplifier | 310 | TI | GPA | AF Amplifier | AF Amplifier | | | | | | | | | | | | | | | | | | | | | | | | | | | | | | | | | | | | | | | | | | | | | | | | | | | | | | | | | | | | | | | | | | | | | | | | | | | | | | | | | | | | | | | | | | | | | | | | | | | | | | | | | | | | | | | | | | | | | | | | | | | | | | | | | | | | | | | | | | | | | | | | | | | | | | | | | | | | | | | | | | | | | | | | | | | | | | | | | | | | | | | | | | | | | | | | | | | | | | | | | | | | | | | | | | | | | | | | | | | | | | | | | | | | | | | | | | | | | | | | | | | | | | | | | | | | | | | | | | | | | | | | | | | | | | | | | | | | | | | | | | | | | | | | | | | | | | | |
| 3N27 | TI | SNG | RF Amplifier | RF Amplifier | 3N29 | GE | GNA | RF Amplifier | RF Amplifier | 3N30 | GE | GNA | RF Amplifier | RF Amplifier | 3N31 | GE | GNA | RF Amplifier | RF Amplifier | 3N32 | TI | SNG | RF Amplifier | RF Amplifier | 3N33 | TI | SNG | RF Amplifier | RF Amplifier | 3N34 | TI | SNG | RF Amplifier | RF Amplifier | 3N35 | TI | SNG | RF Amplifier | RF Amplifier | 3N36 | GE | GNG | RF Amplifier | RF Amplifier | 3N37 | GE | GNG | RF Amplifier | RF Amplifier | 4JD1B2 | GE | GPA | Switching | Switching | 4JD1B3 | GE | GPA | Switching | Switching | 4JD1B4 | GE | GPA | Switching | Switching | 4JD4A2 | GE | GNG | IF Amplifier | IF Amplifier | 4JD4A3 | GE | GNG | Switching | Switching | 4JD4A4 | GE | GNG | IF Amplifier | IF Amplifier | 4JD4A5 | GE | GNG | RF Amplifier | RF Amplifier | 5A | SPR | GC | Switching | Switching | 5B | CTP | SD | Photo Use | Photo Use | 5C | CTP | SD | Photo Use | Photo Use | 8D | SPR | GPA | AF Amplifier | AF Amplifier | 8E | SPR | GPA | AF Amplifier | AF Amplifier | 8F | SPR | GPA | AF Amplifier | AF Amplifier | 10A | CTP | SD | Photo Use | Photo Use | 10A | SPR | GPA | AF Amplifier | AF Amplifier | 10B | CTP | SD | Photo Use | Photo Use | 10B | SPR | GPA | AF Amplifier | AF Amplifier | 10C | SPR | GPA | AF Amplifier | AF Amplifier | 11A | CTP | SO | Photo Use | Photo Use | 11B | CTP | SD | Photo Use | Photo Use | ZJ | 12 | GE | SNG | AF Amplifier | CK | 13 | RK | GPA | RF Amplifier | ZJ | 13 | GE | GNG | AF Amplifier | MN | 13A | MOT | GPA | AF Amplifier | MN | 13B | MOT | GPA | AF Amplifier | MN | 13C | MOT | GPA | AF Amplifier | ZJ | 13 | GE | GNG | AF Amplifier | CK | 14 | RK | GPA | RF Amplifier | GT | 14 | GTC | GPA | AF Amplifier | RR | 14 | RR | GPA | AF Amplifier | ZJ | 14 | GE | SD | Switching | ZJ | 14H | GTC | GPA | AF Amplifier | OC | 16 | AMP | GPA | AF Power Amp | ZJ | 16 | CK | RR | AF Power Amp | CK | 17 | RR | RR | AF Power Amp | MN | 19 | MOT | GPA | AF Amplifier | GT | 20 | GTC | GPA | AF Amplifier | RR | 20 | RR | GPA | AF Amplifier | GT | 20H | GTC | GPA | AF Amplifier | MN | 21 | MOT | GPA | AF Power Amp | RR | 21 | RR | GPA | AF Amplifier | GT | 24 | GTC | GPA | AF Amplifier | MN | 24 | MOT | GPA | AF Power Amp | MN | 25 | MOT | GPA | AF Power Amp | CK | 26 | RK | MOT | Switching | MN | 26 | MOT | GPA | AF Power Amp | MN | 28 | MOT | GPA | AF Power Amp | MN | 29 | MOT | GPA | AF Power Amp | GT | 34 | GTC | GPA | AF Amplifier | RR | 34 | RR | GPA | AF Amplifier | T | 34A | NU | GPA | AF Amplifier | T | 34B | NU | GPA | AF Amplifier | T | 34C | NU | GPA | AF Amplifier | T | 34D | NU | GPA | AF Amplifier | T | 34E | NU | GPA | AF Amplifier | T | 34F | NU | GPA | AF Amplifier | GT | 34HV | GTC | GPA | Switching | GT | 34S | GTC | GPA | Detector | GT | 38 | GTC | GPA | AF Amplifier | RR | 38 | RR | GPA | AF Amplifier | OC | 44 | AMP | GPA | RF Amplifier | OC | 45 | AMP | GPA | RF Amplifier | OC | 50 | AMP | GC | Oscillator | OC | 51 | AMP | GC | Switching | OC | 65 | AMP | GC | AF Amplifier | CT | 66 | GTC | GPA | Photo Use | OC | 66 | AMP | GPA | AF Amplifier | RR | 66 | RR | SD | AF Amplifier | OC | 70 | AMP | GPA | AF Amplifier | OC | 71 | AMP | GPA | RF Amplifier | OC | 72 | AMP | GMA | AF Amplifier | ZJ | 72 | GE | GNG | VHF Amplifier | OC | 73 | AMP | GPA | AF Amplifier | ZJ | 73 | GE | GNG | AF Amplifier | GT | 74 | GTC | GPA | AF Amplifier | GT | 75 | GTC | GPA | AF Amplifier | OC | 76 | AMP | GPA | Switching | GT | 81 | GTC | GPA | AF Amplifier | GT | 81H | GTC | GPA | AF Amplifier | GT | 81HS | GTC | GPA | AF Amplifier | GT | 82 | GTC | GPA | Switching | GT | 83 | GTC | GPA | Switching | GT | 87 | GTC | GPA | Switching | GT | 88 | GTC | GPA | Switching | DR | 100 | TS | GPA | AF Amplifier | DR | 101 | TS | GPA | AF Amplifier | DR | 102 | TS | GPA | AF Amplifier | GT | 109 | GTC | GPA | AF Amplifier | GT | 122 | GTC | GPA | Switching | GT | 123 | GTC | GPA | Switching | RR | 125 | RR | GPA | AF Amplifier | DR | 126 | TS | GPA | AF Amplifier | DR | 128 | TS | GPA | AF Amplifier | DR | 129 | TS | GPA | General Use | DR | 130 | TS | GPA | General Use | DR | 131 | TS | GPA | General Use | DR | 132 | TS | GPA | General Use | DR | 139 | TS | GPA | General Use | DR | 147 | TS | GPA | AF Power Amp | GT | 153 | GT | GPA | Switching | DR | 154 | TS | GPA | General Use | DR | 155 | TS | GPA | General Use | TS | 161 | TS | GMA | AF Amplifier | TS | 162 | TS | GMA | General Use | TS | 163 | TS | GPA | AF Amplifier | TS | 164 | TS | GPA | AF Amplifier | TS | 165 | TS | GPA | AF Amplifier | TS | 166 | TS | GPA | AF Amplifier | GT | 167 | GTC | GPA | Switching | TS | 176 | TS | GPA | AF Power Amp | 200 | TI | GNG | GPA | General Use | 201 | TI | GNG | GPA | General Use | 202 | TI | GNG | GPA | General Use | 206 | TI | GNG | GPA | AF Amplifier | 207 | TI | GNG | GPA | AF Amplifier | 208 | TI | GNG | GPA | AF Amplifier | GT | 210 | GTC | GPA | Switching | 210 | TI | GNG | GPA | AF Amplifier | 220 | TI | GNG | GPA | AF Amplifier | 221 | TI | GNG | GPA | IF Amplifier | GT | 222 | GTC | GPA | General Use | 222 | TI | GNG | GPA | IF Amplifier | 223 | TI | GNG | GPA | Converter | 224 | TI | GNG | GPA | Detector | 225 | TI | GNG | GPA | IF Amplifier | 227 | TI | GNG | GPA | IF Amplifier | 228 | TI | GNG | GPA | Detector | GT | 229 | GTC | GNA | AF Amplifier | 234 | TI | CNA | IF Amplifier | IF Amplifier | 235 | TI | GNA | GPA | Converter | GT | 269 | GTC | GPA | RF Amplifier | 301 | TI | GPA | AF Amplifier | AF Amplifier | 302 | TI | GPA | AF Amplifier | AF Amplifier | 310 | TI | GPA | AF Amplifier | AF Amplifier | 310 | TI | GPA | AF Amplifier | AF Amplifier | | | | | | | | | | | | | | | | | | | | | | | | | | | | | | | | | | | | | | | | | | | | | | | | | | | | | | | | | | | | | | | | | | | | | | | | | | | | | | | | | | | | | | | | | | | | | | | | | | | | | | | | | | | | | | | | | | | | | | | | | | | | | | | | | | | | | | | | | | | | | | | | | | | | | | | | | | | | | | | | | | | | | | | | | | | | | | | | | | | | | | | | | | | | | | | | | | | | | | | | | | | | | | | | | | | | | | | | | | | | | | | | | | | | | | | | | | | | | | | | | | | | | | | | | | | | | | | | | | | | | | | | | | | | | | | | | | | | | | | | | | | | | | | | | | | | | | | | | | | | |
| 3N29 | GE | GNA | RF Amplifier | RF Amplifier | 3N30 | GE | GNA | RF Amplifier | RF Amplifier | 3N31 | GE | GNA | RF Amplifier | RF Amplifier | 3N32 | TI | SNG | RF Amplifier | RF Amplifier | 3N33 | TI | SNG | RF Amplifier | RF Amplifier | 3N34 | TI | SNG | RF Amplifier | RF Amplifier | 3N35 | TI | SNG | RF Amplifier | RF Amplifier | 3N36 | GE | GNG | RF Amplifier | RF Amplifier | 3N37 | GE | GNG | RF Amplifier | RF Amplifier | 4JD1B2 | GE | GPA | Switching | Switching | 4JD1B3 | GE | GPA | Switching | Switching | 4JD1B4 | GE | GPA | Switching | Switching | 4JD4A2 | GE | GNG | IF Amplifier | IF Amplifier | 4JD4A3 | GE | GNG | Switching | Switching | 4JD4A4 | GE | GNG | IF Amplifier | IF Amplifier | 4JD4A5 | GE | GNG | RF Amplifier | RF Amplifier | 5A | SPR | GC | Switching | Switching | 5B | CTP | SD | Photo Use | Photo Use | 5C | CTP | SD | Photo Use | Photo Use | 8D | SPR | GPA | AF Amplifier | AF Amplifier | 8E | SPR | GPA | AF Amplifier | AF Amplifier | 8F | SPR | GPA | AF Amplifier | AF Amplifier | 10A | CTP | SD | Photo Use | Photo Use | 10A | SPR | GPA | AF Amplifier | AF Amplifier | 10B | CTP | SD | Photo Use | Photo Use | 10B | SPR | GPA | AF Amplifier | AF Amplifier | 10C | SPR | GPA | AF Amplifier | AF Amplifier | 11A | CTP | SO | Photo Use | Photo Use | 11B | CTP | SD | Photo Use | Photo Use | ZJ | 12 | GE | SNG | AF Amplifier | CK | 13 | RK | GPA | RF Amplifier | ZJ | 13 | GE | GNG | AF Amplifier | MN | 13A | MOT | GPA | AF Amplifier | MN | 13B | MOT | GPA | AF Amplifier | MN | 13C | MOT | GPA | AF Amplifier | ZJ | 13 | GE | GNG | AF Amplifier | CK | 14 | RK | GPA | RF Amplifier | GT | 14 | GTC | GPA | AF Amplifier | RR | 14 | RR | GPA | AF Amplifier | ZJ | 14 | GE | SD | Switching | ZJ | 14H | GTC | GPA | AF Amplifier | OC | 16 | AMP | GPA | AF Power Amp | ZJ | 16 | CK | RR | AF Power Amp | CK | 17 | RR | RR | AF Power Amp | MN | 19 | MOT | GPA | AF Amplifier | GT | 20 | GTC | GPA | AF Amplifier | RR | 20 | RR | GPA | AF Amplifier | GT | 20H | GTC | GPA | AF Amplifier | MN | 21 | MOT | GPA | AF Power Amp | RR | 21 | RR | GPA | AF Amplifier | GT | 24 | GTC | GPA | AF Amplifier | MN | 24 | MOT | GPA | AF Power Amp | MN | 25 | MOT | GPA | AF Power Amp | CK | 26 | RK | MOT | Switching | MN | 26 | MOT | GPA | AF Power Amp | MN | 28 | MOT | GPA | AF Power Amp | MN | 29 | MOT | GPA | AF Power Amp | GT | 34 | GTC | GPA | AF Amplifier | RR | 34 | RR | GPA | AF Amplifier | T | 34A | NU | GPA | AF Amplifier | T | 34B | NU | GPA | AF Amplifier | T | 34C | NU | GPA | AF Amplifier | T | 34D | NU | GPA | AF Amplifier | T | 34E | NU | GPA | AF Amplifier | T | 34F | NU | GPA | AF Amplifier | GT | 34HV | GTC | GPA | Switching | GT | 34S | GTC | GPA | Detector | GT | 38 | GTC | GPA | AF Amplifier | RR | 38 | RR | GPA | AF Amplifier | OC | 44 | AMP | GPA | RF Amplifier | OC | 45 | AMP | GPA | RF Amplifier | OC | 50 | AMP | GC | Oscillator | OC | 51 | AMP | GC | Switching | OC | 65 | AMP | GC | AF Amplifier | CT | 66 | GTC | GPA | Photo Use | OC | 66 | AMP | GPA | AF Amplifier | RR | 66 | RR | SD | AF Amplifier | OC | 70 | AMP | GPA | AF Amplifier | OC | 71 | AMP | GPA | RF Amplifier | OC | 72 | AMP | GMA | AF Amplifier | ZJ | 72 | GE | GNG | VHF Amplifier | OC | 73 | AMP | GPA | AF Amplifier | ZJ | 73 | GE | GNG | AF Amplifier | GT | 74 | GTC | GPA | AF Amplifier | GT | 75 | GTC | GPA | AF Amplifier | OC | 76 | AMP | GPA | Switching | GT | 81 | GTC | GPA | AF Amplifier | GT | 81H | GTC | GPA | AF Amplifier | GT | 81HS | GTC | GPA | AF Amplifier | GT | 82 | GTC | GPA | Switching | GT | 83 | GTC | GPA | Switching | GT | 87 | GTC | GPA | Switching | GT | 88 | GTC | GPA | Switching | DR | 100 | TS | GPA | AF Amplifier | DR | 101 | TS | GPA | AF Amplifier | DR | 102 | TS | GPA | AF Amplifier | GT | 109 | GTC | GPA | AF Amplifier | GT | 122 | GTC | GPA | Switching | GT | 123 | GTC | GPA | Switching | RR | 125 | RR | GPA | AF Amplifier | DR | 126 | TS | GPA | AF Amplifier | DR | 128 | TS | GPA | AF Amplifier | DR | 129 | TS | GPA | General Use | DR | 130 | TS | GPA | General Use | DR | 131 | TS | GPA | General Use | DR | 132 | TS | GPA | General Use | DR | 139 | TS | GPA | General Use | DR | 147 | TS | GPA | AF Power Amp | GT | 153 | GT | GPA | Switching | DR | 154 | TS | GPA | General Use | DR | 155 | TS | GPA | General Use | TS | 161 | TS | GMA | AF Amplifier | TS | 162 | TS | GMA | General Use | TS | 163 | TS | GPA | AF Amplifier | TS | 164 | TS | GPA | AF Amplifier | TS | 165 | TS | GPA | AF Amplifier | TS | 166 | TS | GPA | AF Amplifier | GT | 167 | GTC | GPA | Switching | TS | 176 | TS | GPA | AF Power Amp | 200 | TI | GNG | GPA | General Use | 201 | TI | GNG | GPA | General Use | 202 | TI | GNG | GPA | General Use | 206 | TI | GNG | GPA | AF Amplifier | 207 | TI | GNG | GPA | AF Amplifier | 208 | TI | GNG | GPA | AF Amplifier | GT | 210 | GTC | GPA | Switching | 210 | TI | GNG | GPA | AF Amplifier | 220 | TI | GNG | GPA | AF Amplifier | 221 | TI | GNG | GPA | IF Amplifier | GT | 222 | GTC | GPA | General Use | 222 | TI | GNG | GPA | IF Amplifier | 223 | TI | GNG | GPA | Converter | 224 | TI | GNG | GPA | Detector | 225 | TI | GNG | GPA | IF Amplifier | 227 | TI | GNG | GPA | IF Amplifier | 228 | TI | GNG | GPA | Detector | GT | 229 | GTC | GNA | AF Amplifier | 234 | TI | CNA | IF Amplifier | IF Amplifier | 235 | TI | GNA | GPA | Converter | GT | 269 | GTC | GPA | RF Amplifier | 301 | TI | GPA | AF Amplifier | AF Amplifier | 302 | TI | GPA | AF Amplifier | AF Amplifier | 310 | TI | GPA | AF Amplifier | AF Amplifier | 310 | TI | GPA | AF Amplifier | AF Amplifier | | | | | | | | | | | | | | | | | | | | | | | | | | | | | | | | | | | | | | | | | | | | | | | | | | | | | | | | | | | | | | | | | | | | | | | | | | | | | | | | | | | | | | | | | | | | | | | | | | | | | | | | | | | | | | | | | | | | | | | | | | | | | | | | | | | | | | | | | | | | | | | | | | | | | | | | | | | | | | | | | | | | | | | | | | | | | | | | | | | | | | | | | | | | | | | | | | | | | | | | | | | | | | | | | | | | | | | | | | | | | | | | | | | | | | | | | | | | | | | | | | | | | | | | | | | | | | | | | | | | | | | | | | | | | | | | | | | | | | | | | | | | | | | | | | | | | | | | | | | | | | | | | |
| 3N30 | GE | GNA | RF Amplifier | RF Amplifier | 3N31 | GE | GNA | RF Amplifier | RF Amplifier | 3N32 | TI | SNG | RF Amplifier | RF Amplifier | 3N33 | TI | SNG | RF Amplifier | RF Amplifier | 3N34 | TI | SNG | RF Amplifier | RF Amplifier | 3N35 | TI | SNG | RF Amplifier | RF Amplifier | 3N36 | GE | GNG | RF Amplifier | RF Amplifier | 3N37 | GE | GNG | RF Amplifier | RF Amplifier | 4JD1B2 | GE | GPA | Switching | Switching | 4JD1B3 | GE | GPA | Switching | Switching | 4JD1B4 | GE | GPA | Switching | Switching | 4JD4A2 | GE | GNG | IF Amplifier | IF Amplifier | 4JD4A3 | GE | GNG | Switching | Switching | 4JD4A4 | GE | GNG | IF Amplifier | IF Amplifier | 4JD4A5 | GE | GNG | RF Amplifier | RF Amplifier | 5A | SPR | GC | Switching | Switching | 5B | CTP | SD | Photo Use | Photo Use | 5C | CTP | SD | Photo Use | Photo Use | 8D | SPR | GPA | AF Amplifier | AF Amplifier | 8E | SPR | GPA | AF Amplifier | AF Amplifier | 8F | SPR | GPA | AF Amplifier | AF Amplifier | 10A | CTP | SD | Photo Use | Photo Use | 10A | SPR | GPA | AF Amplifier | AF Amplifier | 10B | CTP | SD | Photo Use | Photo Use | 10B | SPR | GPA | AF Amplifier | AF Amplifier | 10C | SPR | GPA | AF Amplifier | AF Amplifier | 11A | CTP | SO | Photo Use | Photo Use | 11B | CTP | SD | Photo Use | Photo Use | ZJ | 12 | GE | SNG | AF Amplifier | CK | 13 | RK | GPA | RF Amplifier | ZJ | 13 | GE | GNG | AF Amplifier | MN | 13A | MOT | GPA | AF Amplifier | MN | 13B | MOT | GPA | AF Amplifier | MN | 13C | MOT | GPA | AF Amplifier | ZJ | 13 | GE | GNG | AF Amplifier | CK | 14 | RK | GPA | RF Amplifier | GT | 14 | GTC | GPA | AF Amplifier | RR | 14 | RR | GPA | AF Amplifier | ZJ | 14 | GE | SD | Switching | ZJ | 14H | GTC | GPA | AF Amplifier | OC | 16 | AMP | GPA | AF Power Amp | ZJ | 16 | CK | RR | AF Power Amp | CK | 17 | RR | RR | AF Power Amp | MN | 19 | MOT | GPA | AF Amplifier | GT | 20 | GTC | GPA | AF Amplifier | RR | 20 | RR | GPA | AF Amplifier | GT | 20H | GTC | GPA | AF Amplifier | MN | 21 | MOT | GPA | AF Power Amp | RR | 21 | RR | GPA | AF Amplifier | GT | 24 | GTC | GPA | AF Amplifier | MN | 24 | MOT | GPA | AF Power Amp | MN | 25 | MOT | GPA | AF Power Amp | CK | 26 | RK | MOT | Switching | MN | 26 | MOT | GPA | AF Power Amp | MN | 28 | MOT | GPA | AF Power Amp | MN | 29 | MOT | GPA | AF Power Amp | GT | 34 | GTC | GPA | AF Amplifier | RR | 34 | RR | GPA | AF Amplifier | T | 34A | NU | GPA | AF Amplifier | T | 34B | NU | GPA | AF Amplifier | T | 34C | NU | GPA | AF Amplifier | T | 34D | NU | GPA | AF Amplifier | T | 34E | NU | GPA | AF Amplifier | T | 34F | NU | GPA | AF Amplifier | GT | 34HV | GTC | GPA | Switching | GT | 34S | GTC | GPA | Detector | GT | 38 | GTC | GPA | AF Amplifier | RR | 38 | RR | GPA | AF Amplifier | OC | 44 | AMP | GPA | RF Amplifier | OC | 45 | AMP | GPA | RF Amplifier | OC | 50 | AMP | GC | Oscillator | OC | 51 | AMP | GC | Switching | OC | 65 | AMP | GC | AF Amplifier | CT | 66 | GTC | GPA | Photo Use | OC | 66 | AMP | GPA | AF Amplifier | RR | 66 | RR | SD | AF Amplifier | OC | 70 | AMP | GPA | AF Amplifier | OC | 71 | AMP | GPA | RF Amplifier | OC | 72 | AMP | GMA | AF Amplifier | ZJ | 72 | GE | GNG | VHF Amplifier | OC | 73 | AMP | GPA | AF Amplifier | ZJ | 73 | GE | GNG | AF Amplifier | GT | 74 | GTC | GPA | AF Amplifier | GT | 75 | GTC | GPA | AF Amplifier | OC | 76 | AMP | GPA | Switching | GT | 81 | GTC | GPA | AF Amplifier | GT | 81H | GTC | GPA | AF Amplifier | GT | 81HS | GTC | GPA | AF Amplifier | GT | 82 | GTC | GPA | Switching | GT | 83 | GTC | GPA | Switching | GT | 87 | GTC | GPA | Switching | GT | 88 | GTC | GPA | Switching | DR | 100 | TS | GPA | AF Amplifier | DR | 101 | TS | GPA | AF Amplifier | DR | 102 | TS | GPA | AF Amplifier | GT | 109 | GTC | GPA | AF Amplifier | GT | 122 | GTC | GPA | Switching | GT | 123 | GTC | GPA | Switching | RR | 125 | RR | GPA | AF Amplifier | DR | 126 | TS | GPA | AF Amplifier | DR | 128 | TS | GPA | AF Amplifier | DR | 129 | TS | GPA | General Use | DR | 130 | TS | GPA | General Use | DR | 131 | TS | GPA | General Use | DR | 132 | TS | GPA | General Use | DR | 139 | TS | GPA | General Use | DR | 147 | TS | GPA | AF Power Amp | GT | 153 | GT | GPA | Switching | DR | 154 | TS | GPA | General Use | DR | 155 | TS | GPA | General Use | TS | 161 | TS | GMA | AF Amplifier | TS | 162 | TS | GMA | General Use | TS | 163 | TS | GPA | AF Amplifier | TS | 164 | TS | GPA | AF Amplifier | TS | 165 | TS | GPA | AF Amplifier | TS | 166 | TS | GPA | AF Amplifier | GT | 167 | GTC | GPA | Switching | TS | 176 | TS | GPA | AF Power Amp | 200 | TI | GNG | GPA | General Use | 201 | TI | GNG | GPA | General Use | 202 | TI | GNG | GPA | General Use | 206 | TI | GNG | GPA | AF Amplifier | 207 | TI | GNG | GPA | AF Amplifier | 208 | TI | GNG | GPA | AF Amplifier | GT | 210 | GTC | GPA | Switching | 210 | TI | GNG | GPA | AF Amplifier | 220 | TI | GNG | GPA | AF Amplifier | 221 | TI | GNG | GPA | IF Amplifier | GT | 222 | GTC | GPA | General Use | 222 | TI | GNG | GPA | IF Amplifier | 223 | TI | GNG | GPA | Converter | 224 | TI | GNG | GPA | Detector | 225 | TI | GNG | GPA | IF Amplifier | 227 | TI | GNG | GPA | IF Amplifier | 228 | TI | GNG | GPA | Detector | GT | 229 | GTC | GNA | AF Amplifier | 234 | TI | CNA | IF Amplifier | IF Amplifier | 235 | TI | GNA | GPA | Converter | GT | 269 | GTC | GPA | RF Amplifier | 301 | TI | GPA | AF Amplifier | AF Amplifier | 302 | TI | GPA | AF Amplifier | AF Amplifier | 310 | TI | GPA | AF Amplifier | AF Amplifier | 310 | TI | GPA | AF Amplifier | AF Amplifier | | | | | | | | | | | | | | | | | | | | | | | | | | | | | | | | | | | | | | | | | | | | | | | | | | | | | | | | | | | | | | | | | | | | | | | | | | | | | | | | | | | | | | | | | | | | | | | | | | | | | | | | | | | | | | | | | | | | | | | | | | | | | | | | | | | | | | | | | | | | | | | | | | | | | | | | | | | | | | | | | | | | | | | | | | | | | | | | | | | | | | | | | | | | | | | | | | | | | | | | | | | | | | | | | | | | | | | | | | | | | | | | | | | | | | | | | | | | | | | | | | | | | | | | | | | | | | | | | | | | | | | | | | | | | | | | | | | | | | | | | | | | | | | | | | | | | | | | | | | | | | | | | | | | | | |
| 3N31 | GE | GNA | RF Amplifier | RF Amplifier | 3N32 | TI | SNG | RF Amplifier | RF Amplifier | 3N33 | TI | SNG | RF Amplifier | RF Amplifier | 3N34 | TI | SNG | RF Amplifier | RF Amplifier | 3N35 | TI | SNG | RF Amplifier | RF Amplifier | 3N36 | GE | GNG | RF Amplifier | RF Amplifier | 3N37 | GE | GNG | RF Amplifier | RF Amplifier | 4JD1B2 | GE | GPA | Switching | Switching | 4JD1B3 | GE | GPA | Switching | Switching | 4JD1B4 | GE | GPA | Switching | Switching | 4JD4A2 | GE | GNG | IF Amplifier | IF Amplifier | 4JD4A3 | GE | GNG | Switching | Switching | 4JD4A4 | GE | GNG | IF Amplifier | IF Amplifier | 4JD4A5 | GE | GNG | RF Amplifier | RF Amplifier | 5A | SPR | GC | Switching | Switching | 5B | CTP | SD | Photo Use | Photo Use | 5C | CTP | SD | Photo Use | Photo Use | 8D | SPR | GPA | AF Amplifier | AF Amplifier | 8E | SPR | GPA | AF Amplifier | AF Amplifier | 8F | SPR | GPA | AF Amplifier | AF Amplifier | 10A | CTP | SD | Photo Use | Photo Use | 10A | SPR | GPA | AF Amplifier | AF Amplifier | 10B | CTP | SD | Photo Use | Photo Use | 10B | SPR | GPA | AF Amplifier | AF Amplifier | 10C | SPR | GPA | AF Amplifier | AF Amplifier | 11A | CTP | SO | Photo Use | Photo Use | 11B | CTP | SD | Photo Use | Photo Use | ZJ | 12 | GE | SNG | AF Amplifier | CK | 13 | RK | GPA | RF Amplifier | ZJ | 13 | GE | GNG | AF Amplifier | MN | 13A | MOT | GPA | AF Amplifier | MN | 13B | MOT | GPA | AF Amplifier | MN | 13C | MOT | GPA | AF Amplifier | ZJ | 13 | GE | GNG | AF Amplifier | CK | 14 | RK | GPA | RF Amplifier | GT | 14 | GTC | GPA | AF Amplifier | RR | 14 | RR | GPA | AF Amplifier | ZJ | 14 | GE | SD | Switching | ZJ | 14H | GTC | GPA | AF Amplifier | OC | 16 | AMP | GPA | AF Power Amp | ZJ | 16 | CK | RR | AF Power Amp | CK | 17 | RR | RR | AF Power Amp | MN | 19 | MOT | GPA | AF Amplifier | GT | 20 | GTC | GPA | AF Amplifier | RR | 20 | RR | GPA | AF Amplifier | GT | 20H | GTC | GPA | AF Amplifier | MN | 21 | MOT | GPA | AF Power Amp | RR | 21 | RR | GPA | AF Amplifier | GT | 24 | GTC | GPA | AF Amplifier | MN | 24 | MOT | GPA | AF Power Amp | MN | 25 | MOT | GPA | AF Power Amp | CK | 26 | RK | MOT | Switching | MN | 26 | MOT | GPA | AF Power Amp | MN | 28 | MOT | GPA | AF Power Amp | MN | 29 | MOT | GPA | AF Power Amp | GT | 34 | GTC | GPA | AF Amplifier | RR | 34 | RR | GPA | AF Amplifier | T | 34A | NU | GPA | AF Amplifier | T | 34B | NU | GPA | AF Amplifier | T | 34C | NU | GPA | AF Amplifier | T | 34D | NU | GPA | AF Amplifier | T | 34E | NU | GPA | AF Amplifier | T | 34F | NU | GPA | AF Amplifier | GT | 34HV | GTC | GPA | Switching | GT | 34S | GTC | GPA | Detector | GT | 38 | GTC | GPA | AF Amplifier | RR | 38 | RR | GPA | AF Amplifier | OC | 44 | AMP | GPA | RF Amplifier | OC | 45 | AMP | GPA | RF Amplifier | OC | 50 | AMP | GC | Oscillator | OC | 51 | AMP | GC | Switching | OC | 65 | AMP | GC | AF Amplifier | CT | 66 | GTC | GPA | Photo Use | OC | 66 | AMP | GPA | AF Amplifier | RR | 66 | RR | SD | AF Amplifier | OC | 70 | AMP | GPA | AF Amplifier | OC | 71 | AMP | GPA | RF Amplifier | OC | 72 | AMP | GMA | AF Amplifier | ZJ | 72 | GE | GNG | VHF Amplifier | OC | 73 | AMP | GPA | AF Amplifier | ZJ | 73 | GE | GNG | AF Amplifier | GT | 74 | GTC | GPA | AF Amplifier | GT | 75 | GTC | GPA | AF Amplifier | OC | 76 | AMP | GPA | Switching | GT | 81 | GTC | GPA | AF Amplifier | GT | 81H | GTC | GPA | AF Amplifier | GT | 81HS | GTC | GPA | AF Amplifier | GT | 82 | GTC | GPA | Switching | GT | 83 | GTC | GPA | Switching | GT | 87 | GTC | GPA | Switching | GT | 88 | GTC | GPA | Switching | DR | 100 | TS | GPA | AF Amplifier | DR | 101 | TS | GPA | AF Amplifier | DR | 102 | TS | GPA | AF Amplifier | GT | 109 | GTC | GPA | AF Amplifier | GT | 122 | GTC | GPA | Switching | GT | 123 | GTC | GPA | Switching | RR | 125 | RR | GPA | AF Amplifier | DR | 126 | TS | GPA | AF Amplifier | DR | 128 | TS | GPA | AF Amplifier | DR | 129 | TS | GPA | General Use | DR | 130 | TS | GPA | General Use | DR | 131 | TS | GPA | General Use | DR | 132 | TS | GPA | General Use | DR | 139 | TS | GPA | General Use | DR | 147 | TS | GPA | AF Power Amp | GT | 153 | GT | GPA | Switching | DR | 154 | TS | GPA | General Use | DR | 155 | TS | GPA | General Use | TS | 161 | TS | GMA | AF Amplifier | TS | 162 | TS | GMA | General Use | TS | 163 | TS | GPA | AF Amplifier | TS | 164 | TS | GPA | AF Amplifier | TS | 165 | TS | GPA | AF Amplifier | TS | 166 | TS | GPA | AF Amplifier | GT | 167 | GTC | GPA | Switching | TS | 176 | TS | GPA | AF Power Amp | 200 | TI | GNG | GPA | General Use | 201 | TI | GNG | GPA | General Use | 202 | TI | GNG | GPA | General Use | 206 | TI | GNG | GPA | AF Amplifier | 207 | TI | GNG | GPA | AF Amplifier | 208 | TI | GNG | GPA | AF Amplifier | GT | 210 | GTC | GPA | Switching | 210 | TI | GNG | GPA | AF Amplifier | 220 | TI | GNG | GPA | AF Amplifier | 221 | TI | GNG | GPA | IF Amplifier | GT | 222 | GTC | GPA | General Use | 222 | TI | GNG | GPA | IF Amplifier | 223 | TI | GNG | GPA | Converter | 224 | TI | GNG | GPA | Detector | 225 | TI | GNG | GPA | IF Amplifier | 227 | TI | GNG | GPA | IF Amplifier | 228 | TI | GNG | GPA | Detector | GT | 229 | GTC | GNA | AF Amplifier | 234 | TI | CNA | IF Amplifier | IF Amplifier | 235 | TI | GNA | GPA | Converter | GT | 269 | GTC | GPA | RF Amplifier | 301 | TI | GPA | AF Amplifier | AF Amplifier | 302 | TI | GPA | AF Amplifier | AF Amplifier | 310 | TI | GPA | AF Amplifier | AF Amplifier | 310 | TI | GPA | AF Amplifier | AF Amplifier | | | | | | | | | | | | | | | | | | | | | | | | | | | | | | | | | | | | | | | | | | | | | | | | | | | | | | | | | | | | | | | | | | | | | | | | | | | | | | | | | | | | | | | | | | | | | | | | | | | | | | | | | | | | | | | | | | | | | | | | | | | | | | | | | | | | | | | | | | | | | | | | | | | | | | | | | | | | | | | | | | | | | | | | | | | | | | | | | | | | | | | | | | | | | | | | | | | | | | | | | | | | | | | | | | | | | | | | | | | | | | | | | | | | | | | | | | | | | | | | | | | | | | | | | | | | | | | | | | | | | | | | | | | | | | | | | | | | | | | | | | | | | | | | | | | | | | | | | | | | | | | | | | | | | | | | | | | |
| 3N32 | TI | SNG | RF Amplifier | RF Amplifier | 3N33 | TI | SNG | RF Amplifier | RF Amplifier | 3N34 | TI | SNG | RF Amplifier | RF Amplifier | 3N35 | TI | SNG | RF Amplifier | RF Amplifier | 3N36 | GE | GNG | RF Amplifier | RF Amplifier | 3N37 | GE | GNG | RF Amplifier | RF Amplifier | 4JD1B2 | GE | GPA | Switching | Switching | 4JD1B3 | GE | GPA | Switching | Switching | 4JD1B4 | GE | GPA | Switching | Switching | 4JD4A2 | GE | GNG | IF Amplifier | IF Amplifier | 4JD4A3 | GE | GNG | Switching | Switching | 4JD4A4 | GE | GNG | IF Amplifier | IF Amplifier | 4JD4A5 | GE | GNG | RF Amplifier | RF Amplifier | 5A | SPR | GC | Switching | Switching | 5B | CTP | SD | Photo Use | Photo Use | 5C | CTP | SD | Photo Use | Photo Use | 8D | SPR | GPA | AF Amplifier | AF Amplifier | 8E | SPR | GPA | AF Amplifier | AF Amplifier | 8F | SPR | GPA | AF Amplifier | AF Amplifier | 10A | CTP | SD | Photo Use | Photo Use | 10A | SPR | GPA | AF Amplifier | AF Amplifier | 10B | CTP | SD | Photo Use | Photo Use | 10B | SPR | GPA | AF Amplifier | AF Amplifier | 10C | SPR | GPA | AF Amplifier | AF Amplifier | 11A | CTP | SO | Photo Use | Photo Use | 11B | CTP | SD | Photo Use | Photo Use | ZJ | 12 | GE | SNG | AF Amplifier | CK | 13 | RK | GPA | RF Amplifier | ZJ | 13 | GE | GNG | AF Amplifier | MN | 13A | MOT | GPA | AF Amplifier | MN | 13B | MOT | GPA | AF Amplifier | MN | 13C | MOT | GPA | AF Amplifier | ZJ | 13 | GE | GNG | AF Amplifier | CK | 14 | RK | GPA | RF Amplifier | GT | 14 | GTC | GPA | AF Amplifier | RR | 14 | RR | GPA | AF Amplifier | ZJ | 14 | GE | SD | Switching | ZJ | 14H | GTC | GPA | AF Amplifier | OC | 16 | AMP | GPA | AF Power Amp | ZJ | 16 | CK | RR | AF Power Amp | CK | 17 | RR | RR | AF Power Amp | MN | 19 | MOT | GPA | AF Amplifier | GT | 20 | GTC | GPA | AF Amplifier | RR | 20 | RR | GPA | AF Amplifier | GT | 20H | GTC | GPA | AF Amplifier | MN | 21 | MOT | GPA | AF Power Amp | RR | 21 | RR | GPA | AF Amplifier | GT | 24 | GTC | GPA | AF Amplifier | MN | 24 | MOT | GPA | AF Power Amp | MN | 25 | MOT | GPA | AF Power Amp | CK | 26 | RK | MOT | Switching | MN | 26 | MOT | GPA | AF Power Amp | MN | 28 | MOT | GPA | AF Power Amp | MN | 29 | MOT | GPA | AF Power Amp | GT | 34 | GTC | GPA | AF Amplifier | RR | 34 | RR | GPA | AF Amplifier | T | 34A | NU | GPA | AF Amplifier | T | 34B | NU | GPA | AF Amplifier | T | 34C | NU | GPA | AF Amplifier | T | 34D | NU | GPA | AF Amplifier | T | 34E | NU | GPA | AF Amplifier | T | 34F | NU | GPA | AF Amplifier | GT | 34HV | GTC | GPA | Switching | GT | 34S | GTC | GPA | Detector | GT | 38 | GTC | GPA | AF Amplifier | RR | 38 | RR | GPA | AF Amplifier | OC | 44 | AMP | GPA | RF Amplifier | OC | 45 | AMP | GPA | RF Amplifier | OC | 50 | AMP | GC | Oscillator | OC | 51 | AMP | GC | Switching | OC | 65 | AMP | GC | AF Amplifier | CT | 66 | GTC | GPA | Photo Use | OC | 66 | AMP | GPA | AF Amplifier | RR | 66 | RR | SD | AF Amplifier | OC | 70 | AMP | GPA | AF Amplifier | OC | 71 | AMP | GPA | RF Amplifier | OC | 72 | AMP | GMA | AF Amplifier | ZJ | 72 | GE | GNG | VHF Amplifier | OC | 73 | AMP | GPA | AF Amplifier | ZJ | 73 | GE | GNG | AF Amplifier | GT | 74 | GTC | GPA | AF Amplifier | GT | 75 | GTC | GPA | AF Amplifier | OC | 76 | AMP | GPA | Switching | GT | 81 | GTC | GPA | AF Amplifier | GT | 81H | GTC | GPA | AF Amplifier | GT | 81HS | GTC | GPA | AF Amplifier | GT | 82 | GTC | GPA | Switching | GT | 83 | GTC | GPA | Switching | GT | 87 | GTC | GPA | Switching | GT | 88 | GTC | GPA | Switching | DR | 100 | TS | GPA | AF Amplifier | DR | 101 | TS | GPA | AF Amplifier | DR | 102 | TS | GPA | AF Amplifier | GT | 109 | GTC | GPA | AF Amplifier | GT | 122 | GTC | GPA | Switching | GT | 123 | GTC | GPA | Switching | RR | 125 | RR | GPA | AF Amplifier | DR | 126 | TS | GPA | AF Amplifier | DR | 128 | TS | GPA | AF Amplifier | DR | 129 | TS | GPA | General Use | DR | 130 | TS | GPA | General Use | DR | 131 | TS | GPA | General Use | DR | 132 | TS | GPA | General Use | DR | 139 | TS | GPA | General Use | DR | 147 | TS | GPA | AF Power Amp | GT | 153 | GT | GPA | Switching | DR | 154 | TS | GPA | General Use | DR | 155 | TS | GPA | General Use | TS | 161 | TS | GMA | AF Amplifier | TS | 162 | TS | GMA | General Use | TS | 163 | TS | GPA | AF Amplifier | TS | 164 | TS | GPA | AF Amplifier | TS | 165 | TS | GPA | AF Amplifier | TS | 166 | TS | GPA | AF Amplifier | GT | 167 | GTC | GPA | Switching | TS | 176 | TS | GPA | AF Power Amp | 200 | TI | GNG | GPA | General Use | 201 | TI | GNG | GPA | General Use | 202 | TI | GNG | GPA | General Use | 206 | TI | GNG | GPA | AF Amplifier | 207 | TI | GNG | GPA | AF Amplifier | 208 | TI | GNG | GPA | AF Amplifier | GT | 210 | GTC | GPA | Switching | 210 | TI | GNG | GPA | AF Amplifier | 220 | TI | GNG | GPA | AF Amplifier | 221 | TI | GNG | GPA | IF Amplifier | GT | 222 | GTC | GPA | General Use | 222 | TI | GNG | GPA | IF Amplifier | 223 | TI | GNG | GPA | Converter | 224 | TI | GNG | GPA | Detector | 225 | TI | GNG | GPA | IF Amplifier | 227 | TI | GNG | GPA | IF Amplifier | 228 | TI | GNG | GPA | Detector | GT | 229 | GTC | GNA | AF Amplifier | 234 | TI | CNA | IF Amplifier | IF Amplifier | 235 | TI | GNA | GPA | Converter | GT | 269 | GTC | GPA | RF Amplifier | 301 | TI | GPA | AF Amplifier | AF Amplifier | 302 | TI | GPA | AF Amplifier | AF Amplifier | 310 | TI | GPA | AF Amplifier | AF Amplifier | 310 | TI | GPA | AF Amplifier | AF Amplifier | | | | | | | | | | | | | | | | | | | | | | | | | | | | | | | | | | | | | | | | | | | | | | | | | | | | | | | | | | | | | | | | | | | | | | | | | | | | | | | | | | | | | | | | | | | | | | | | | | | | | | | | | | | | | | | | | | | | | | | | | | | | | | | | | | | | | | | | | | | | | | | | | | | | | | | | | | | | | | | | | | | | | | | | | | | | | | | | | | | | | | | | | | | | | | | | | | | | | | | | | | | | | | | | | | | | | | | | | | | | | | | | | | | | | | | | | | | | | | | | | | | | | | | | | | | | | | | | | | | | | | | | | | | | | | | | | | | | | | | | | | | | | | | | | | | | | | | | | | | | | | | | | | | | | | | | | | | | | | | | |
| 3N33 | TI | SNG | RF Amplifier | RF Amplifier | 3N34 | TI | SNG | RF Amplifier | RF Amplifier | 3N35 | TI | SNG | RF Amplifier | RF Amplifier | 3N36 | GE | GNG | RF Amplifier | RF Amplifier | 3N37 | GE | GNG | RF Amplifier | RF Amplifier | 4JD1B2 | GE | GPA | Switching | Switching | 4JD1B3 | GE | GPA | Switching | Switching | 4JD1B4 | GE | GPA | Switching | Switching | 4JD4A2 | GE | GNG | IF Amplifier | IF Amplifier | 4JD4A3 | GE | GNG | Switching | Switching | 4JD4A4 | GE | GNG | IF Amplifier | IF Amplifier | 4JD4A5 | GE | GNG | RF Amplifier | RF Amplifier | 5A | SPR | GC | Switching | Switching | 5B | CTP | SD | Photo Use | Photo Use | 5C | CTP | SD | Photo Use | Photo Use | 8D | SPR | GPA | AF Amplifier | AF Amplifier | 8E | SPR | GPA | AF Amplifier | AF Amplifier | 8F | SPR | GPA | AF Amplifier | AF Amplifier | 10A | CTP | SD | Photo Use | Photo Use | 10A | SPR | GPA | AF Amplifier | AF Amplifier | 10B | CTP | SD | Photo Use | Photo Use | 10B | SPR | GPA | AF Amplifier | AF Amplifier | 10C | SPR | GPA | AF Amplifier | AF Amplifier | 11A | CTP | SO | Photo Use | Photo Use | 11B | CTP | SD | Photo Use | Photo Use | ZJ | 12 | GE | SNG | AF Amplifier | CK | 13 | RK | GPA | RF Amplifier | ZJ | 13 | GE | GNG | AF Amplifier | MN | 13A | MOT | GPA | AF Amplifier | MN | 13B | MOT | GPA | AF Amplifier | MN | 13C | MOT | GPA | AF Amplifier | ZJ | 13 | GE | GNG | AF Amplifier | CK | 14 | RK | GPA | RF Amplifier | GT | 14 | GTC | GPA | AF Amplifier | RR | 14 | RR | GPA | AF Amplifier | ZJ | 14 | GE | SD | Switching | ZJ | 14H | GTC | GPA | AF Amplifier | OC | 16 | AMP | GPA | AF Power Amp | ZJ | 16 | CK | RR | AF Power Amp | CK | 17 | RR | RR | AF Power Amp | MN | 19 | MOT | GPA | AF Amplifier | GT | 20 | GTC | GPA | AF Amplifier | RR | 20 | RR | GPA | AF Amplifier | GT | 20H | GTC | GPA | AF Amplifier | MN | 21 | MOT | GPA | AF Power Amp | RR | 21 | RR | GPA | AF Amplifier | GT | 24 | GTC | GPA | AF Amplifier | MN | 24 | MOT | GPA | AF Power Amp | MN | 25 | MOT | GPA | AF Power Amp | CK | 26 | RK | MOT | Switching | MN | 26 | MOT | GPA | AF Power Amp | MN | 28 | MOT | GPA | AF Power Amp | MN | 29 | MOT | GPA | AF Power Amp | GT | 34 | GTC | GPA | AF Amplifier | RR | 34 | RR | GPA | AF Amplifier | T | 34A | NU | GPA | AF Amplifier | T | 34B | NU | GPA | AF Amplifier | T | 34C | NU | GPA | AF Amplifier | T | 34D | NU | GPA | AF Amplifier | T | 34E | NU | GPA | AF Amplifier | T | 34F | NU | GPA | AF Amplifier | GT | 34HV | GTC | GPA | Switching | GT | 34S | GTC | GPA | Detector | GT | 38 | GTC | GPA | AF Amplifier | RR | 38 | RR | GPA | AF Amplifier | OC | 44 | AMP | GPA | RF Amplifier | OC | 45 | AMP | GPA | RF Amplifier | OC | 50 | AMP | GC | Oscillator | OC | 51 | AMP | GC | Switching | OC | 65 | AMP | GC | AF Amplifier | CT | 66 | GTC | GPA | Photo Use | OC | 66 | AMP | GPA | AF Amplifier | RR | 66 | RR | SD | AF Amplifier | OC | 70 | AMP | GPA | AF Amplifier | OC | 71 | AMP | GPA | RF Amplifier | OC | 72 | AMP | GMA | AF Amplifier | ZJ | 72 | GE | GNG | VHF Amplifier | OC | 73 | AMP | GPA | AF Amplifier | ZJ | 73 | GE | GNG | AF Amplifier | GT | 74 | GTC | GPA | AF Amplifier | GT | 75 | GTC | GPA | AF Amplifier | OC | 76 | AMP | GPA | Switching | GT | 81 | GTC | GPA | AF Amplifier | GT | 81H | GTC | GPA | AF Amplifier | GT | 81HS | GTC | GPA | AF Amplifier | GT | 82 | GTC | GPA | Switching | GT | 83 | GTC | GPA | Switching | GT | 87 | GTC | GPA | Switching | GT | 88 | GTC | GPA | Switching | DR | 100 | TS | GPA | AF Amplifier | DR | 101 | TS | GPA | AF Amplifier | DR | 102 | TS | GPA | AF Amplifier | GT | 109 | GTC | GPA | AF Amplifier | GT | 122 | GTC | GPA | Switching | GT | 123 | GTC | GPA | Switching | RR | 125 | RR | GPA | AF Amplifier | DR | 126 | TS | GPA | AF Amplifier | DR | 128 | TS | GPA | AF Amplifier | DR | 129 | TS | GPA | General Use | DR | 130 | TS | GPA | General Use | DR | 131 | TS | GPA | General Use | DR | 132 | TS | GPA | General Use | DR | 139 | TS | GPA | General Use | DR | 147 | TS | GPA | AF Power Amp | GT | 153 | GT | GPA | Switching | DR | 154 | TS | GPA | General Use | DR | 155 | TS | GPA | General Use | TS | 161 | TS | GMA | AF Amplifier | TS | 162 | TS | GMA | General Use | TS | 163 | TS | GPA | AF Amplifier | TS | 164 | TS | GPA | AF Amplifier | TS | 165 | TS | GPA | AF Amplifier | TS | 166 | TS | GPA | AF Amplifier | GT | 167 | GTC | GPA | Switching | TS | 176 | TS | GPA | AF Power Amp | 200 | TI | GNG | GPA | General Use | 201 | TI | GNG | GPA | General Use | 202 | TI | GNG | GPA | General Use | 206 | TI | GNG | GPA | AF Amplifier | 207 | TI | GNG | GPA | AF Amplifier | 208 | TI | GNG | GPA | AF Amplifier | GT | 210 | GTC | GPA | Switching | 210 | TI | GNG | GPA | AF Amplifier | 220 | TI | GNG | GPA | AF Amplifier | 221 | TI | GNG | GPA | IF Amplifier | GT | 222 | GTC | GPA | General Use | 222 | TI | GNG | GPA | IF Amplifier | 223 | TI | GNG | GPA | Converter | 224 | TI | GNG | GPA | Detector | 225 | TI | GNG | GPA | IF Amplifier | 227 | TI | GNG | GPA | IF Amplifier | 228 | TI | GNG | GPA | Detector | GT | 229 | GTC | GNA | AF Amplifier | 234 | TI | CNA | IF Amplifier | IF Amplifier | 235 | TI | GNA | GPA | Converter | GT | 269 | GTC | GPA | RF Amplifier | 301 | TI | GPA | AF Amplifier | AF Amplifier | 302 | TI | GPA | AF Amplifier | AF Amplifier | 310 | TI | GPA | AF Amplifier | AF Amplifier | 310 | TI | GPA | AF Amplifier | AF Amplifier | | | | | | | | | | | | | | | | | | | | | | | | | | | | | | | | | | | | | | | | | | | | | | | | | | | | | | | | | | | | | | | | | | | | | | | | | | | | | | | | | | | | | | | | | | | | | | | | | | | | | | | | | | | | | | | | | | | | | | | | | | | | | | | | | | | | | | | | | | | | | | | | | | | | | | | | | | | | | | | | | | | | | | | | | | | | | | | | | | | | | | | | | | | | | | | | | | | | | | | | | | | | | | | | | | | | | | | | | | | | | | | | | | | | | | | | | | | | | | | | | | | | | | | | | | | | | | | | | | | | | | | | | | | | | | | | | | | | | | | | | | | | | | | | | | | | | | | | | | | | | | | | | | | | | | | | | | | | | | | | | | | | | |
| 3N34 | TI | SNG | RF Amplifier | RF Amplifier | 3N35 | TI | SNG | RF Amplifier | RF Amplifier | 3N36 | GE | GNG | RF Amplifier | RF Amplifier | 3N37 | GE | GNG | RF Amplifier | RF Amplifier | 4JD1B2 | GE | GPA | Switching | Switching | 4JD1B3 | GE | GPA | Switching | Switching | 4JD1B4 | GE | GPA | Switching | Switching | 4JD4A2 | GE | GNG | IF Amplifier | IF Amplifier | 4JD4A3 | GE | GNG | Switching | Switching | 4JD4A4 | GE | GNG | IF Amplifier | IF Amplifier | 4JD4A5 | GE | GNG | RF Amplifier | RF Amplifier | 5A | SPR | GC | Switching | Switching | 5B | CTP | SD | Photo Use | Photo Use | 5C | CTP | SD | Photo Use | Photo Use | 8D | SPR | GPA | AF Amplifier | AF Amplifier | 8E | SPR | GPA | AF Amplifier | AF Amplifier | 8F | SPR | GPA | AF Amplifier | AF Amplifier | 10A | CTP | SD | Photo Use | Photo Use | 10A | SPR | GPA | AF Amplifier | AF Amplifier | 10B | CTP | SD | Photo Use | Photo Use | 10B | SPR | GPA | AF Amplifier | AF Amplifier | 10C | SPR | GPA | AF Amplifier | AF Amplifier | 11A | CTP | SO | Photo Use | Photo Use | 11B | CTP | SD | Photo Use | Photo Use | ZJ | 12 | GE | SNG | AF Amplifier | CK | 13 | RK | GPA | RF Amplifier | ZJ | 13 | GE | GNG | AF Amplifier | MN | 13A | MOT | GPA | AF Amplifier | MN | 13B | MOT | GPA | AF Amplifier | MN | 13C | MOT | GPA | AF Amplifier | ZJ | 13 | GE | GNG | AF Amplifier | CK | 14 | RK | GPA | RF Amplifier | GT | 14 | GTC | GPA | AF Amplifier | RR | 14 | RR | GPA | AF Amplifier | ZJ | 14 | GE | SD | Switching | ZJ | 14H | GTC | GPA | AF Amplifier | OC | 16 | AMP | GPA | AF Power Amp | ZJ | 16 | CK | RR | AF Power Amp | CK | 17 | RR | RR | AF Power Amp | MN | 19 | MOT | GPA | AF Amplifier | GT | 20 | GTC | GPA | AF Amplifier | RR | 20 | RR | GPA | AF Amplifier | GT | 20H | GTC | GPA | AF Amplifier | MN | 21 | MOT | GPA | AF Power Amp | RR | 21 | RR | GPA | AF Amplifier | GT | 24 | GTC | GPA | AF Amplifier | MN | 24 | MOT | GPA | AF Power Amp | MN | 25 | MOT | GPA | AF Power Amp | CK | 26 | RK | MOT | Switching | MN | 26 | MOT | GPA | AF Power Amp | MN | 28 | MOT | GPA | AF Power Amp | MN | 29 | MOT | GPA | AF Power Amp | GT | 34 | GTC | GPA | AF Amplifier | RR | 34 | RR | GPA | AF Amplifier | T | 34A | NU | GPA | AF Amplifier | T | 34B | NU | GPA | AF Amplifier | T | 34C | NU | GPA | AF Amplifier | T | 34D | NU | GPA | AF Amplifier | T | 34E | NU | GPA | AF Amplifier | T | 34F | NU | GPA | AF Amplifier | GT | 34HV | GTC | GPA | Switching | GT | 34S | GTC | GPA | Detector | GT | 38 | GTC | GPA | AF Amplifier | RR | 38 | RR | GPA | AF Amplifier | OC | 44 | AMP | GPA | RF Amplifier | OC | 45 | AMP | GPA | RF Amplifier | OC | 50 | AMP | GC | Oscillator | OC | 51 | AMP | GC | Switching | OC | 65 | AMP | GC | AF Amplifier | CT | 66 | GTC | GPA | Photo Use | OC | 66 | AMP | GPA | AF Amplifier | RR | 66 | RR | SD | AF Amplifier | OC | 70 | AMP | GPA | AF Amplifier | OC | 71 | AMP | GPA | RF Amplifier | OC | 72 | AMP | GMA | AF Amplifier | ZJ | 72 | GE | GNG | VHF Amplifier | OC | 73 | AMP | GPA | AF Amplifier | ZJ | 73 | GE | GNG | AF Amplifier | GT | 74 | GTC | GPA | AF Amplifier | GT | 75 | GTC | GPA | AF Amplifier | OC | 76 | AMP | GPA | Switching | GT | 81 | GTC | GPA | AF Amplifier | GT | 81H | GTC | GPA | AF Amplifier | GT | 81HS | GTC | GPA | AF Amplifier | GT | 82 | GTC | GPA | Switching | GT | 83 | GTC | GPA | Switching | GT | 87 | GTC | GPA | Switching | GT | 88 | GTC | GPA | Switching | DR | 100 | TS | GPA | AF Amplifier | DR | 101 | TS | GPA | AF Amplifier | DR | 102 | TS | GPA | AF Amplifier | GT | 109 | GTC | GPA | AF Amplifier | GT | 122 | GTC | GPA | Switching | GT | 123 | GTC | GPA | Switching | RR | 125 | RR | GPA | AF Amplifier | DR | 126 | TS | GPA | AF Amplifier | DR | 128 | TS | GPA | AF Amplifier | DR | 129 | TS | GPA | General Use | DR | 130 | TS | GPA | General Use | DR | 131 | TS | GPA | General Use | DR | 132 | TS | GPA | General Use | DR | 139 | TS | GPA | General Use | DR | 147 | TS | GPA | AF Power Amp | GT | 153 | GT | GPA | Switching | DR | 154 | TS | GPA | General Use | DR | 155 | TS | GPA | General Use | TS | 161 | TS | GMA | AF Amplifier | TS | 162 | TS | GMA | General Use | TS | 163 | TS | GPA | AF Amplifier | TS | 164 | TS | GPA | AF Amplifier | TS | 165 | TS | GPA | AF Amplifier | TS | 166 | TS | GPA | AF Amplifier | GT | 167 | GTC | GPA | Switching | TS | 176 | TS | GPA | AF Power Amp | 200 | TI | GNG | GPA | General Use | 201 | TI | GNG | GPA | General Use | 202 | TI | GNG | GPA | General Use | 206 | TI | GNG | GPA | AF Amplifier | 207 | TI | GNG | GPA | AF Amplifier | 208 | TI | GNG | GPA | AF Amplifier | GT | 210 | GTC | GPA | Switching | 210 | TI | GNG | GPA | AF Amplifier | 220 | TI | GNG | GPA | AF Amplifier | 221 | TI | GNG | GPA | IF Amplifier | GT | 222 | GTC | GPA | General Use | 222 | TI | GNG | GPA | IF Amplifier | 223 | TI | GNG | GPA | Converter | 224 | TI | GNG | GPA | Detector | 225 | TI | GNG | GPA | IF Amplifier | 227 | TI | GNG | GPA | IF Amplifier | 228 | TI | GNG | GPA | Detector | GT | 229 | GTC | GNA | AF Amplifier | 234 | TI | CNA | IF Amplifier | IF Amplifier | 235 | TI | GNA | GPA | Converter | GT | 269 | GTC | GPA | RF Amplifier | 301 | TI | GPA | AF Amplifier | AF Amplifier | 302 | TI | GPA | AF Amplifier | AF Amplifier | 310 | TI | GPA | AF Amplifier | AF Amplifier | 310 | TI | GPA | AF Amplifier | AF Amplifier | | | | | | | | | | | | | | | | | | | | | | | | | | | | | | | | | | | | | | | | | | | | | | | | | | | | | | | | | | | | | | | | | | | | | | | | | | | | | | | | | | | | | | | | | | | | | | | | | | | | | | | | | | | | | | | | | | | | | | | | | | | | | | | | | | | | | | | | | | | | | | | | | | | | | | | | | | | | | | | | | | | | | | | | | | | | | | | | | | | | | | | | | | | | | | | | | | | | | | | | | | | | | | | | | | | | | | | | | | | | | | | | | | | | | | | | | | | | | | | | | | | | | | | | | | | | | | | | | | | | | | | | | | | | | | | | | | | | | | | | | | | | | | | | | | | | | | | | | | | | | | | | | | | | | | | | | | | | | | | | | | | | | | | | | | |
| 3N35 | TI | SNG | RF Amplifier | RF Amplifier | 3N36 | GE | GNG | RF Amplifier | RF Amplifier | 3N37 | GE | GNG | RF Amplifier | RF Amplifier | 4JD1B2 | GE | GPA | Switching | Switching | 4JD1B3 | GE | GPA | Switching | Switching | 4JD1B4 | GE | GPA | Switching | Switching | 4JD4A2 | GE | GNG | IF Amplifier | IF Amplifier | 4JD4A3 | GE | GNG | Switching | Switching | 4JD4A4 | GE | GNG | IF Amplifier | IF Amplifier | 4JD4A5 | GE | GNG | RF Amplifier | RF Amplifier | 5A | SPR | GC | Switching | Switching | 5B | CTP | SD | Photo Use | Photo Use | 5C | CTP | SD | Photo Use | Photo Use | 8D | SPR | GPA | AF Amplifier | AF Amplifier | 8E | SPR | GPA | AF Amplifier | AF Amplifier | 8F | SPR | GPA | AF Amplifier | AF Amplifier | 10A | CTP | SD | Photo Use | Photo Use | 10A | SPR | GPA | AF Amplifier | AF Amplifier | 10B | CTP | SD | Photo Use | Photo Use | 10B | SPR | GPA | AF Amplifier | AF Amplifier | 10C | SPR | GPA | AF Amplifier | AF Amplifier | 11A | CTP | SO | Photo Use | Photo Use | 11B | CTP | SD | Photo Use | Photo Use | ZJ | 12 | GE | SNG | AF Amplifier | CK | 13 | RK | GPA | RF Amplifier | ZJ | 13 | GE | GNG | AF Amplifier | MN | 13A | MOT | GPA | AF Amplifier | MN | 13B | MOT | GPA | AF Amplifier | MN | 13C | MOT | GPA | AF Amplifier | ZJ | 13 | GE | GNG | AF Amplifier | CK | 14 | RK | GPA | RF Amplifier | GT | 14 | GTC | GPA | AF Amplifier | RR | 14 | RR | GPA | AF Amplifier | ZJ | 14 | GE | SD | Switching | ZJ | 14H | GTC | GPA | AF Amplifier | OC | 16 | AMP | GPA | AF Power Amp | ZJ | 16 | CK | RR | AF Power Amp | CK | 17 | RR | RR | AF Power Amp | MN | 19 | MOT | GPA | AF Amplifier | GT | 20 | GTC | GPA | AF Amplifier | RR | 20 | RR | GPA | AF Amplifier | GT | 20H | GTC | GPA | AF Amplifier | MN | 21 | MOT | GPA | AF Power Amp | RR | 21 | RR | GPA | AF Amplifier | GT | 24 | GTC | GPA | AF Amplifier | MN | 24 | MOT | GPA | AF Power Amp | MN | 25 | MOT | GPA | AF Power Amp | CK | 26 | RK | MOT | Switching | MN | 26 | MOT | GPA | AF Power Amp | MN | 28 | MOT | GPA | AF Power Amp | MN | 29 | MOT | GPA | AF Power Amp | GT | 34 | GTC | GPA | AF Amplifier | RR | 34 | RR | GPA | AF Amplifier | T | 34A | NU | GPA | AF Amplifier | T | 34B | NU | GPA | AF Amplifier | T | 34C | NU | GPA | AF Amplifier | T | 34D | NU | GPA | AF Amplifier | T | 34E | NU | GPA | AF Amplifier | T | 34F | NU | GPA | AF Amplifier | GT | 34HV | GTC | GPA | Switching | GT | 34S | GTC | GPA | Detector | GT | 38 | GTC | GPA | AF Amplifier | RR | 38 | RR | GPA | AF Amplifier | OC | 44 | AMP | GPA | RF Amplifier | OC | 45 | AMP | GPA | RF Amplifier | OC | 50 | AMP | GC | Oscillator | OC | 51 | AMP | GC | Switching | OC | 65 | AMP | GC | AF Amplifier | CT | 66 | GTC | GPA | Photo Use | OC | 66 | AMP | GPA | AF Amplifier | RR | 66 | RR | SD | AF Amplifier | OC | 70 | AMP | GPA | AF Amplifier | OC | 71 | AMP | GPA | RF Amplifier | OC | 72 | AMP | GMA | AF Amplifier | ZJ | 72 | GE | GNG | VHF Amplifier | OC | 73 | AMP | GPA | AF Amplifier | ZJ | 73 | GE | GNG | AF Amplifier | GT | 74 | GTC | GPA | AF Amplifier | GT | 75 | GTC | GPA | AF Amplifier | OC | 76 | AMP | GPA | Switching | GT | 81 | GTC | GPA | AF Amplifier | GT | 81H | GTC | GPA | AF Amplifier | GT | 81HS | GTC | GPA | AF Amplifier | GT | 82 | GTC | GPA | Switching | GT | 83 | GTC | GPA | Switching | GT | 87 | GTC | GPA | Switching | GT | 88 | GTC | GPA | Switching | DR | 100 | TS | GPA | AF Amplifier | DR | 101 | TS | GPA | AF Amplifier | DR | 102 | TS | GPA | AF Amplifier | GT | 109 | GTC | GPA | AF Amplifier | GT | 122 | GTC | GPA | Switching | GT | 123 | GTC | GPA | Switching | RR | 125 | RR | GPA | AF Amplifier | DR | 126 | TS | GPA | AF Amplifier | DR | 128 | TS | GPA | AF Amplifier | DR | 129 | TS | GPA | General Use | DR | 130 | TS | GPA | General Use | DR | 131 | TS | GPA | General Use | DR | 132 | TS | GPA | General Use | DR | 139 | TS | GPA | General Use | DR | 147 | TS | GPA | AF Power Amp | GT | 153 | GT | GPA | Switching | DR | 154 | TS | GPA | General Use | DR | 155 | TS | GPA | General Use | TS | 161 | TS | GMA | AF Amplifier | TS | 162 | TS | GMA | General Use | TS | 163 | TS | GPA | AF Amplifier | TS | 164 | TS | GPA | AF Amplifier | TS | 165 | TS | GPA | AF Amplifier | TS | 166 | TS | GPA | AF Amplifier | GT | 167 | GTC | GPA | Switching | TS | 176 | TS | GPA | AF Power Amp | 200 | TI | GNG | GPA | General Use | 201 | TI | GNG | GPA | General Use | 202 | TI | GNG | GPA | General Use | 206 | TI | GNG | GPA | AF Amplifier | 207 | TI | GNG | GPA | AF Amplifier | 208 | TI | GNG | GPA | AF Amplifier | GT | 210 | GTC | GPA | Switching | 210 | TI | GNG | GPA | AF Amplifier | 220 | TI | GNG | GPA | AF Amplifier | 221 | TI | GNG | GPA | IF Amplifier | GT | 222 | GTC | GPA | General Use | 222 | TI | GNG | GPA | IF Amplifier | 223 | TI | GNG | GPA | Converter | 224 | TI | GNG | GPA | Detector | 225 | TI | GNG | GPA | IF Amplifier | 227 | TI | GNG | GPA | IF Amplifier | 228 | TI | GNG | GPA | Detector | GT | 229 | GTC | GNA | AF Amplifier | 234 | TI | CNA | IF Amplifier | IF Amplifier | 235 | TI | GNA | GPA | Converter | GT | 269 | GTC | GPA | RF Amplifier | 301 | TI | GPA | AF Amplifier | AF Amplifier | 302 | TI | GPA | AF Amplifier | AF Amplifier | 310 | TI | GPA | AF Amplifier | AF Amplifier | 310 | TI | GPA | AF Amplifier | AF Amplifier | | | | | | | | | | | | | | | | | | | | | | | | | | | | | | | | | | | | | | | | | | | | | | | | | | | | | | | | | | | | | | | | | | | | | | | | | | | | | | | | | | | | | | | | | | | | | | | | | | | | | | | | | | | | | | | | | | | | | | | | | | | | | | | | | | | | | | | | | | | | | | | | | | | | | | | | | | | | | | | | | | | | | | | | | | | | | | | | | | | | | | | | | | | | | | | | | | | | | | | | | | | | | | | | | | | | | | | | | | | | | | | | | | | | | | | | | | | | | | | | | | | | | | | | | | | | | | | | | | | | | | | | | | | | | | | | | | | | | | | | | | | | | | | | | | | | | | | | | | | | | | | | | | | | | | | | | | | | | | | | | | | | | | | | | | | | | | | |
| 3N36 | GE | GNG | RF Amplifier | RF Amplifier | 3N37 | GE | GNG | RF Amplifier | RF Amplifier | 4JD1B2 | GE | GPA | Switching | Switching | 4JD1B3 | GE | GPA | Switching | Switching | 4JD1B4 | GE | GPA | Switching | Switching | 4JD4A2 | GE | GNG | IF Amplifier | IF Amplifier | 4JD4A3 | GE | GNG | Switching | Switching | 4JD4A4 | GE | GNG | IF Amplifier | IF Amplifier | 4JD4A5 | GE | GNG | RF Amplifier | RF Amplifier | 5A | SPR | GC | Switching | Switching | 5B | CTP | SD | Photo Use | Photo Use | 5C | CTP | SD | Photo Use | Photo Use | 8D | SPR | GPA | AF Amplifier | AF Amplifier | 8E | SPR | GPA | AF Amplifier | AF Amplifier | 8F | SPR | GPA | AF Amplifier | AF Amplifier | 10A | CTP | SD | Photo Use | Photo Use | 10A | SPR | GPA | AF Amplifier | AF Amplifier | 10B | CTP | SD | Photo Use | Photo Use | 10B | SPR | GPA | AF Amplifier | AF Amplifier | 10C | SPR | GPA | AF Amplifier | AF Amplifier | 11A | CTP | SO | Photo Use | Photo Use | 11B | CTP | SD | Photo Use | Photo Use | ZJ | 12 | GE | SNG | AF Amplifier | CK | 13 | RK | GPA | RF Amplifier | ZJ | 13 | GE | GNG | AF Amplifier | MN | 13A | MOT | GPA | AF Amplifier | MN | 13B | MOT | GPA | AF Amplifier | MN | 13C | MOT | GPA | AF Amplifier | ZJ | 13 | GE | GNG | AF Amplifier | CK | 14 | RK | GPA | RF Amplifier | GT | 14 | GTC | GPA | AF Amplifier | RR | 14 | RR | GPA | AF Amplifier | ZJ | 14 | GE | SD | Switching | ZJ | 14H | GTC | GPA | AF Amplifier | OC | 16 | AMP | GPA | AF Power Amp | ZJ | 16 | CK | RR | AF Power Amp | CK | 17 | RR | RR | AF Power Amp | MN | 19 | MOT | GPA | AF Amplifier | GT | 20 | GTC | GPA | AF Amplifier | RR | 20 | RR | GPA | AF Amplifier | GT | 20H | GTC | GPA | AF Amplifier | MN | 21 | MOT | GPA | AF Power Amp | RR | 21 | RR | GPA | AF Amplifier | GT | 24 | GTC | GPA | AF Amplifier | MN | 24 | MOT | GPA | AF Power Amp | MN | 25 | MOT | GPA | AF Power Amp | CK | 26 | RK | MOT | Switching | MN | 26 | MOT | GPA | AF Power Amp | MN | 28 | MOT | GPA | AF Power Amp | MN | 29 | MOT | GPA | AF Power Amp | GT | 34 | GTC | GPA | AF Amplifier | RR | 34 | RR | GPA | AF Amplifier | T | 34A | NU | GPA | AF Amplifier | T | 34B | NU | GPA | AF Amplifier | T | 34C | NU | GPA | AF Amplifier | T | 34D | NU | GPA | AF Amplifier | T | 34E | NU | GPA | AF Amplifier | T | 34F | NU | GPA | AF Amplifier | GT | 34HV | GTC | GPA | Switching | GT | 34S | GTC | GPA | Detector | GT | 38 | GTC | GPA | AF Amplifier | RR | 38 | RR | GPA | AF Amplifier | OC | 44 | AMP | GPA | RF Amplifier | OC | 45 | AMP | GPA | RF Amplifier | OC | 50 | AMP | GC | Oscillator | OC | 51 | AMP | GC | Switching | OC | 65 | AMP | GC | AF Amplifier | CT | 66 | GTC | GPA | Photo Use | OC | 66 | AMP | GPA | AF Amplifier | RR | 66 | RR | SD | AF Amplifier | OC | 70 | AMP | GPA | AF Amplifier | OC | 71 | AMP | GPA | RF Amplifier | OC | 72 | AMP | GMA | AF Amplifier | ZJ | 72 | GE | GNG | VHF Amplifier | OC | 73 | AMP | GPA | AF Amplifier | ZJ | 73 | GE | GNG | AF Amplifier | GT | 74 | GTC | GPA | AF Amplifier | GT | 75 | GTC | GPA | AF Amplifier | OC | 76 | AMP | GPA | Switching | GT | 81 | GTC | GPA | AF Amplifier | GT | 81H | GTC | GPA | AF Amplifier | GT | 81HS | GTC | GPA | AF Amplifier | GT | 82 | GTC | GPA | Switching | GT | 83 | GTC | GPA | Switching | GT | 87 | GTC | GPA | Switching | GT | 88 | GTC | GPA | Switching | DR | 100 | TS | GPA | AF Amplifier | DR | 101 | TS | GPA | AF Amplifier | DR | 102 | TS | GPA | AF Amplifier | GT | 109 | GTC | GPA | AF Amplifier | GT | 122 | GTC | GPA | Switching | GT | 123 | GTC | GPA | Switching | RR | 125 | RR | GPA | AF Amplifier | DR | 126 | TS | GPA | AF Amplifier | DR | 128 | TS | GPA | AF Amplifier | DR | 129 | TS | GPA | General Use | DR | 130 | TS | GPA | General Use | DR | 131 | TS | GPA | General Use | DR | 132 | TS | GPA | General Use | DR | 139 | TS | GPA | General Use | DR | 147 | TS | GPA | AF Power Amp | GT | 153 | GT | GPA | Switching | DR | 154 | TS | GPA | General Use | DR | 155 | TS | GPA | General Use | TS | 161 | TS | GMA | AF Amplifier | TS | 162 | TS | GMA | General Use | TS | 163 | TS | GPA | AF Amplifier | TS | 164 | TS | GPA | AF Amplifier | TS | 165 | TS | GPA | AF Amplifier | TS | 166 | TS | GPA | AF Amplifier | GT | 167 | GTC | GPA | Switching | TS | 176 | TS | GPA | AF Power Amp | 200 | TI | GNG | GPA | General Use | 201 | TI | GNG | GPA | General Use | 202 | TI | GNG | GPA | General Use | 206 | TI | GNG | GPA | AF Amplifier | 207 | TI | GNG | GPA | AF Amplifier | 208 | TI | GNG | GPA | AF Amplifier | GT | 210 | GTC | GPA | Switching | 210 | TI | GNG | GPA | AF Amplifier | 220 | TI | GNG | GPA | AF Amplifier | 221 | TI | GNG | GPA | IF Amplifier | GT | 222 | GTC | GPA | General Use | 222 | TI | GNG | GPA | IF Amplifier | 223 | TI | GNG | GPA | Converter | 224 | TI | GNG | GPA | Detector | 225 | TI | GNG | GPA | IF Amplifier | 227 | TI | GNG | GPA | IF Amplifier | 228 | TI | GNG | GPA | Detector | GT | 229 | GTC | GNA | AF Amplifier | 234 | TI | CNA | IF Amplifier | IF Amplifier | 235 | TI | GNA | GPA | Converter | GT | 269 | GTC | GPA | RF Amplifier | 301 | TI | GPA | AF Amplifier | AF Amplifier | 302 | TI | GPA | AF Amplifier | AF Amplifier | 310 | TI | GPA | AF Amplifier | AF Amplifier | 310 | TI | GPA | AF Amplifier | AF Amplifier | | | | | | | | | | | | | | | | | | | | | | | | | | | | | | | | | | | | | | | | | | | | | | | | | | | | | | | | | | | | | | | | | | | | | | | | | | | | | | | | | | | | | | | | | | | | | | | | | | | | | | | | | | | | | | | | | | | | | | | | | | | | | | | | | | | | | | | | | | | | | | | | | | | | | | | | | | | | | | | | | | | | | | | | | | | | | | | | | | | | | | | | | | | | | | | | | | | | | | | | | | | | | | | | | | | | | | | | | | | | | | | | | | | | | | | | | | | | | | | | | | | | | | | | | | | | | | | | | | | | | | | | | | | | | | | | | | | | | | | | | | | | | | | | | | | | | | | | | | | | | | | | | | | | | | | | | | | | | | | | | | | | | | | | | | | | | | | | | | | | |
| 3N37 | GE | GNG | RF Amplifier | RF Amplifier | 4JD1B2 | GE | GPA | Switching | Switching | 4JD1B3 | GE | GPA | Switching | Switching | 4JD1B4 | GE | GPA | Switching | Switching | 4JD4A2 | GE | GNG | IF Amplifier | IF Amplifier | 4JD4A3 | GE | GNG | Switching | Switching | 4JD4A4 | GE | GNG | IF Amplifier | IF Amplifier | 4JD4A5 | GE | GNG | RF Amplifier | RF Amplifier | 5A | SPR | GC | Switching | Switching | 5B | CTP | SD | Photo Use | Photo Use | 5C | CTP | SD | Photo Use | Photo Use | 8D | SPR | GPA | AF Amplifier | AF Amplifier | 8E | SPR | GPA | AF Amplifier | AF Amplifier | 8F | SPR | GPA | AF Amplifier | AF Amplifier | 10A | CTP | SD | Photo Use | Photo Use | 10A | SPR | GPA | AF Amplifier | AF Amplifier | 10B | CTP | SD | Photo Use | Photo Use | 10B | SPR | GPA | AF Amplifier | AF Amplifier | 10C | SPR | GPA | AF Amplifier | AF Amplifier | 11A | CTP | SO | Photo Use | Photo Use | 11B | CTP | SD | Photo Use | Photo Use | ZJ | 12 | GE | SNG | AF Amplifier | CK | 13 | RK | GPA | RF Amplifier | ZJ | 13 | GE | GNG | AF Amplifier | MN | 13A | MOT | GPA | AF Amplifier | MN | 13B | MOT | GPA | AF Amplifier | MN | 13C | MOT | GPA | AF Amplifier | ZJ | 13 | GE | GNG | AF Amplifier | CK | 14 | RK | GPA | RF Amplifier | GT | 14 | GTC | GPA | AF Amplifier | RR | 14 | RR | GPA | AF Amplifier | ZJ | 14 | GE | SD | Switching | ZJ | 14H | GTC | GPA | AF Amplifier | OC | 16 | AMP | GPA | AF Power Amp | ZJ | 16 | CK | RR | AF Power Amp | CK | 17 | RR | RR | AF Power Amp | MN | 19 | MOT | GPA | AF Amplifier | GT | 20 | GTC | GPA | AF Amplifier | RR | 20 | RR | GPA | AF Amplifier | GT | 20H | GTC | GPA | AF Amplifier | MN | 21 | MOT | GPA | AF Power Amp | RR | 21 | RR | GPA | AF Amplifier | GT | 24 | GTC | GPA | AF Amplifier | MN | 24 | MOT | GPA | AF Power Amp | MN | 25 | MOT | GPA | AF Power Amp | CK | 26 | RK | MOT | Switching | MN | 26 | MOT | GPA | AF Power Amp | MN | 28 | MOT | GPA | AF Power Amp | MN | 29 | MOT | GPA | AF Power Amp | GT | 34 | GTC | GPA | AF Amplifier | RR | 34 | RR | GPA | AF Amplifier | T | 34A | NU | GPA | AF Amplifier | T | 34B | NU | GPA | AF Amplifier | T | 34C | NU | GPA | AF Amplifier | T | 34D | NU | GPA | AF Amplifier | T | 34E | NU | GPA | AF Amplifier | T | 34F | NU | GPA | AF Amplifier | GT | 34HV | GTC | GPA | Switching | GT | 34S | GTC | GPA | Detector | GT | 38 | GTC | GPA | AF Amplifier | RR | 38 | RR | GPA | AF Amplifier | OC | 44 | AMP | GPA | RF Amplifier | OC | 45 | AMP | GPA | RF Amplifier | OC | 50 | AMP | GC | Oscillator | OC | 51 | AMP | GC | Switching | OC | 65 | AMP | GC | AF Amplifier | CT | 66 | GTC | GPA | Photo Use | OC | 66 | AMP | GPA | AF Amplifier | RR | 66 | RR | SD | AF Amplifier | OC | 70 | AMP | GPA | AF Amplifier | OC | 71 | AMP | GPA | RF Amplifier | OC | 72 | AMP | GMA | AF Amplifier | ZJ | 72 | GE | GNG | VHF Amplifier | OC | 73 | AMP | GPA | AF Amplifier | ZJ | 73 | GE | GNG | AF Amplifier | GT | 74 | GTC | GPA | AF Amplifier | GT | 75 | GTC | GPA | AF Amplifier | OC | 76 | AMP | GPA | Switching | GT | 81 | GTC | GPA | AF Amplifier | GT | 81H | GTC | GPA | AF Amplifier | GT | 81HS | GTC | GPA | AF Amplifier | GT | 82 | GTC | GPA | Switching | GT | 83 | GTC | GPA | Switching | GT | 87 | GTC | GPA | Switching | GT | 88 | GTC | GPA | Switching | DR | 100 | TS | GPA | AF Amplifier | DR | 101 | TS | GPA | AF Amplifier | DR | 102 | TS | GPA | AF Amplifier | GT | 109 | GTC | GPA | AF Amplifier | GT | 122 | GTC | GPA | Switching | GT | 123 | GTC | GPA | Switching | RR | 125 | RR | GPA | AF Amplifier | DR | 126 | TS | GPA | AF Amplifier | DR | 128 | TS | GPA | AF Amplifier | DR | 129 | TS | GPA | General Use | DR | 130 | TS | GPA | General Use | DR | 131 | TS | GPA | General Use | DR | 132 | TS | GPA | General Use | DR | 139 | TS | GPA | General Use | DR | 147 | TS | GPA | AF Power Amp | GT | 153 | GT | GPA | Switching | DR | 154 | TS | GPA | General Use | DR | 155 | TS | GPA | General Use | TS | 161 | TS | GMA | AF Amplifier | TS | 162 | TS | GMA | General Use | TS | 163 | TS | GPA | AF Amplifier | TS | 164 | TS | GPA | AF Amplifier | TS | 165 | TS | GPA | AF Amplifier | TS | 166 | TS | GPA | AF Amplifier | GT | 167 | GTC | GPA | Switching | TS | 176 | TS | GPA | AF Power Amp | 200 | TI | GNG | GPA | General Use | 201 | TI | GNG | GPA | General Use | 202 | TI | GNG | GPA | General Use | 206 | TI | GNG | GPA | AF Amplifier | 207 | TI | GNG | GPA | AF Amplifier | 208 | TI | GNG | GPA | AF Amplifier | GT | 210 | GTC | GPA | Switching | 210 | TI | GNG | GPA | AF Amplifier | 220 | TI | GNG | GPA | AF Amplifier | 221 | TI | GNG | GPA | IF Amplifier | GT | 222 | GTC | GPA | General Use | 222 | TI | GNG | GPA | IF Amplifier | 223 | TI | GNG | GPA | Converter | 224 | TI | GNG | GPA | Detector | 225 | TI | GNG | GPA | IF Amplifier | 227 | TI | GNG | GPA | IF Amplifier | 228 | TI | GNG | GPA | Detector | GT | 229 | GTC | GNA | AF Amplifier | 234 | TI | CNA | IF Amplifier | IF Amplifier | 235 | TI | GNA | GPA | Converter | GT | 269 | GTC | GPA | RF Amplifier | 301 | TI | GPA | AF Amplifier | AF Amplifier | 302 | TI | GPA | AF Amplifier | AF Amplifier | 310 | TI | GPA | AF Amplifier | AF Amplifier | 310 | TI | GPA | AF Amplifier | AF Amplifier | | | | | | | | | | | | | | | | | | | | | | | | | | | | | | | | | | | | | | | | | | | | | | | | | | | | | | | | | | | | | | | | | | | | | | | | | | | | | | | | | | | | | | | | | | | | | | | | | | | | | | | | | | | | | | | | | | | | | | | | | | | | | | | | | | | | | | | | | | | | | | | | | | | | | | | | | | | | | | | | | | | | | | | | | | | | | | | | | | | | | | | | | | | | | | | | | | | | | | | | | | | | | | | | | | | | | | | | | | | | | | | | | | | | | | | | | | | | | | | | | | | | | | | | | | | | | | | | | | | | | | | | | | | | | | | | | | | | | | | | | | | | | | | | | | | | | | | | | | | | | | | | | | | | | | | | | | | | | | | | | | | | | | | | | | | | | | | | | | | | | | | | | |
| 4JD1B2 | GE | GPA | Switching | Switching | 4JD1B3 | GE | GPA | Switching | Switching | 4JD1B4 | GE | GPA | Switching | Switching | 4JD4A2 | GE | GNG | IF Amplifier | IF Amplifier | 4JD4A3 | GE | GNG | Switching | Switching | 4JD4A4 | GE | GNG | IF Amplifier | IF Amplifier | 4JD4A5 | GE | GNG | RF Amplifier | RF Amplifier | 5A | SPR | GC | Switching | Switching | 5B | CTP | SD | Photo Use | Photo Use | 5C | CTP | SD | Photo Use | Photo Use | 8D | SPR | GPA | AF Amplifier | AF Amplifier | 8E | SPR | GPA | AF Amplifier | AF Amplifier | 8F | SPR | GPA | AF Amplifier | AF Amplifier | 10A | CTP | SD | Photo Use | Photo Use | 10A | SPR | GPA | AF Amplifier | AF Amplifier | 10B | CTP | SD | Photo Use | Photo Use | 10B | SPR | GPA | AF Amplifier | AF Amplifier | 10C | SPR | GPA | AF Amplifier | AF Amplifier | 11A | CTP | SO | Photo Use | Photo Use | 11B | CTP | SD | Photo Use | Photo Use | ZJ | 12 | GE | SNG | AF Amplifier | CK | 13 | RK | GPA | RF Amplifier | ZJ | 13 | GE | GNG | AF Amplifier | MN | 13A | MOT | GPA | AF Amplifier | MN | 13B | MOT | GPA | AF Amplifier | MN | 13C | MOT | GPA | AF Amplifier | ZJ | 13 | GE | GNG | AF Amplifier | CK | 14 | RK | GPA | RF Amplifier | GT | 14 | GTC | GPA | AF Amplifier | RR | 14 | RR | GPA | AF Amplifier | ZJ | 14 | GE | SD | Switching | ZJ | 14H | GTC | GPA | AF Amplifier | OC | 16 | AMP | GPA | AF Power Amp | ZJ | 16 | CK | RR | AF Power Amp | CK | 17 | RR | RR | AF Power Amp | MN | 19 | MOT | GPA | AF Amplifier | GT | 20 | GTC | GPA | AF Amplifier | RR | 20 | RR | GPA | AF Amplifier | GT | 20H | GTC | GPA | AF Amplifier | MN | 21 | MOT | GPA | AF Power Amp | RR | 21 | RR | GPA | AF Amplifier | GT | 24 | GTC | GPA | AF Amplifier | MN | 24 | MOT | GPA | AF Power Amp | MN | 25 | MOT | GPA | AF Power Amp | CK | 26 | RK | MOT | Switching | MN | 26 | MOT | GPA | AF Power Amp | MN | 28 | MOT | GPA | AF Power Amp | MN | 29 | MOT | GPA | AF Power Amp | GT | 34 | GTC | GPA | AF Amplifier | RR | 34 | RR | GPA | AF Amplifier | T | 34A | NU | GPA | AF Amplifier | T | 34B | NU | GPA | AF Amplifier | T | 34C | NU | GPA | AF Amplifier | T | 34D | NU | GPA | AF Amplifier | T | 34E | NU | GPA | AF Amplifier | T | 34F | NU | GPA | AF Amplifier | GT | 34HV | GTC | GPA | Switching | GT | 34S | GTC | GPA | Detector | GT | 38 | GTC | GPA | AF Amplifier | RR | 38 | RR | GPA | AF Amplifier | OC | 44 | AMP | GPA | RF Amplifier | OC | 45 | AMP | GPA | RF Amplifier | OC | 50 | AMP | GC | Oscillator | OC | 51 | AMP | GC | Switching | OC | 65 | AMP | GC | AF Amplifier | CT | 66 | GTC | GPA | Photo Use | OC | 66 | AMP | GPA | AF Amplifier | RR | 66 | RR | SD | AF Amplifier | OC | 70 | AMP | GPA | AF Amplifier | OC | 71 | AMP | GPA | RF Amplifier | OC | 72 | AMP | GMA | AF Amplifier | ZJ | 72 | GE | GNG | VHF Amplifier | OC | 73 | AMP | GPA | AF Amplifier | ZJ | 73 | GE | GNG | AF Amplifier | GT | 74 | GTC | GPA | AF Amplifier | GT | 75 | GTC | GPA | AF Amplifier | OC | 76 | AMP | GPA | Switching | GT | 81 | GTC | GPA | AF Amplifier | GT | 81H | GTC | GPA | AF Amplifier | GT | 81HS | GTC | GPA | AF Amplifier | GT | 82 | GTC | GPA | Switching | GT | 83 | GTC | GPA | Switching | GT | 87 | GTC | GPA | Switching | GT | 88 | GTC | GPA | Switching | DR | 100 | TS | GPA | AF Amplifier | DR | 101 | TS | GPA | AF Amplifier | DR | 102 | TS | GPA | AF Amplifier | GT | 109 | GTC | GPA | AF Amplifier | GT | 122 | GTC | GPA | Switching | GT | 123 | GTC | GPA | Switching | RR | 125 | RR | GPA | AF Amplifier | DR | 126 | TS | GPA | AF Amplifier | DR | 128 | TS | GPA | AF Amplifier | DR | 129 | TS | GPA | General Use | DR | 130 | TS | GPA | General Use | DR | 131 | TS | GPA | General Use | DR | 132 | TS | GPA | General Use | DR | 139 | TS | GPA | General Use | DR | 147 | TS | GPA | AF Power Amp | GT | 153 | GT | GPA | Switching | DR | 154 | TS | GPA | General Use | DR | 155 | TS | GPA | General Use | TS | 161 | TS | GMA | AF Amplifier | TS | 162 | TS | GMA | General Use | TS | 163 | TS | GPA | AF Amplifier | TS | 164 | TS | GPA | AF Amplifier | TS | 165 | TS | GPA | AF Amplifier | TS | 166 | TS | GPA | AF Amplifier | GT | 167 | GTC | GPA | Switching | TS | 176 | TS | GPA | AF Power Amp | 200 | TI | GNG | GPA | General Use | 201 | TI | GNG | GPA | General Use | 202 | TI | GNG | GPA | General Use | 206 | TI | GNG | GPA | AF Amplifier | 207 | TI | GNG | GPA | AF Amplifier | 208 | TI | GNG | GPA | AF Amplifier | GT | 210 | GTC | GPA | Switching | 210 | TI | GNG | GPA | AF Amplifier | 220 | TI | GNG | GPA | AF Amplifier | 221 | TI | GNG | GPA | IF Amplifier | GT | 222 | GTC | GPA | General Use | 222 | TI | GNG | GPA | IF Amplifier | 223 | TI | GNG | GPA | Converter | 224 | TI | GNG | GPA | Detector | 225 | TI | GNG | GPA | IF Amplifier | 227 | TI | GNG | GPA | IF Amplifier | 228 | TI | GNG | GPA | Detector | GT | 229 | GTC | GNA | AF Amplifier | 234 | TI | CNA | IF Amplifier | IF Amplifier | 235 | TI | GNA | GPA | Converter | GT | 269 | GTC | GPA | RF Amplifier | 301 | TI | GPA | AF Amplifier | AF Amplifier | 302 | TI | GPA | AF Amplifier | AF Amplifier | 310 | TI | GPA | AF Amplifier | AF Amplifier | 310 | TI | GPA | AF Amplifier | AF Amplifier | | | | | | | | | | | | | | | | | | | | | | | | | | | | | | | | | | | | | | | | | | | | | | | | | | | | | | | | | | | | | | | | | | | | | | | | | | | | | | | | | | | | | | | | | | | | | | | | | | | | | | | | | | | | | | | | | | | | | | | | | | | | | | | | | | | | | | | | | | | | | | | | | | | | | | | | | | | | | | | | | | | | | | | | | | | | | | | | | | | | | | | | | | | | | | | | | | | | | | | | | | | | | | | | | | | | | | | | | | | | | | | | | | | | | | | | | | | | | | | | | | | | | | | | | | | | | | | | | | | | | | | | | | | | | | | | | | | | | | | | | | | | | | | | | | | | | | | | | | | | | | | | | | | | | | | | | | | | | | | | | | | | | | | | | | | | | | | | | | | | | | | | | | | | | | |
| 4JD1B3 | GE | GPA | Switching | Switching | 4JD1B4 | GE | GPA | Switching | Switching | 4JD4A2 | GE | GNG | IF Amplifier | IF Amplifier | 4JD4A3 | GE | GNG | Switching | Switching | 4JD4A4 | GE | GNG | IF Amplifier | IF Amplifier | 4JD4A5 | GE | GNG | RF Amplifier | RF Amplifier | 5A | SPR | GC | Switching | Switching | 5B | CTP | SD | Photo Use | Photo Use | 5C | CTP | SD | Photo Use | Photo Use | 8D | SPR | GPA | AF Amplifier | AF Amplifier | 8E | SPR | GPA | AF Amplifier | AF Amplifier | 8F | SPR | GPA | AF Amplifier | AF Amplifier | 10A | CTP | SD | Photo Use | Photo Use | 10A | SPR | GPA | AF Amplifier | AF Amplifier | 10B | CTP | SD | Photo Use | Photo Use | 10B | SPR | GPA | AF Amplifier | AF Amplifier | 10C | SPR | GPA | AF Amplifier | AF Amplifier | 11A | CTP | SO | Photo Use | Photo Use | 11B | CTP | SD | Photo Use | Photo Use | ZJ | 12 | GE | SNG | AF Amplifier | CK | 13 | RK | GPA | RF Amplifier | ZJ | 13 | GE | GNG | AF Amplifier | MN | 13A | MOT | GPA | AF Amplifier | MN | 13B | MOT | GPA | AF Amplifier | MN | 13C | MOT | GPA | AF Amplifier | ZJ | 13 | GE | GNG | AF Amplifier | CK | 14 | RK | GPA | RF Amplifier | GT | 14 | GTC | GPA | AF Amplifier | RR | 14 | RR | GPA | AF Amplifier | ZJ | 14 | GE | SD | Switching | ZJ | 14H | GTC | GPA | AF Amplifier | OC | 16 | AMP | GPA | AF Power Amp | ZJ | 16 | CK | RR | AF Power Amp | CK | 17 | RR | RR | AF Power Amp | MN | 19 | MOT | GPA | AF Amplifier | GT | 20 | GTC | GPA | AF Amplifier | RR | 20 | RR | GPA | AF Amplifier | GT | 20H | GTC | GPA | AF Amplifier | MN | 21 | MOT | GPA | AF Power Amp | RR | 21 | RR | GPA | AF Amplifier | GT | 24 | GTC | GPA | AF Amplifier | MN | 24 | MOT | GPA | AF Power Amp | MN | 25 | MOT | GPA | AF Power Amp | CK | 26 | RK | MOT | Switching | MN | 26 | MOT | GPA | AF Power Amp | MN | 28 | MOT | GPA | AF Power Amp | MN | 29 | MOT | GPA | AF Power Amp | GT | 34 | GTC | GPA | AF Amplifier | RR | 34 | RR | GPA | AF Amplifier | T | 34A | NU | GPA | AF Amplifier | T | 34B | NU | GPA | AF Amplifier | T | 34C | NU | GPA | AF Amplifier | T | 34D | NU | GPA | AF Amplifier | T | 34E | NU | GPA | AF Amplifier | T | 34F | NU | GPA | AF Amplifier | GT | 34HV | GTC | GPA | Switching | GT | 34S | GTC | GPA | Detector | GT | 38 | GTC | GPA | AF Amplifier | RR | 38 | RR | GPA | AF Amplifier | OC | 44 | AMP | GPA | RF Amplifier | OC | 45 | AMP | GPA | RF Amplifier | OC | 50 | AMP | GC | Oscillator | OC | 51 | AMP | GC | Switching | OC | 65 | AMP | GC | AF Amplifier | CT | 66 | GTC | GPA | Photo Use | OC | 66 | AMP | GPA | AF Amplifier | RR | 66 | RR | SD | AF Amplifier | OC | 70 | AMP | GPA | AF Amplifier | OC | 71 | AMP | GPA | RF Amplifier | OC | 72 | AMP | GMA | AF Amplifier | ZJ | 72 | GE | GNG | VHF Amplifier | OC | 73 | AMP | GPA | AF Amplifier | ZJ | 73 | GE | GNG | AF Amplifier | GT | 74 | GTC | GPA | AF Amplifier | GT | 75 | GTC | GPA | AF Amplifier | OC | 76 | AMP | GPA | Switching | GT | 81 | GTC | GPA | AF Amplifier | GT | 81H | GTC | GPA | AF Amplifier | GT | 81HS | GTC | GPA | AF Amplifier | GT | 82 | GTC | GPA | Switching | GT | 83 | GTC | GPA | Switching | GT | 87 | GTC | GPA | Switching | GT | 88 | GTC | GPA | Switching | DR | 100 | TS | GPA | AF Amplifier | DR | 101 | TS | GPA | AF Amplifier | DR | 102 | TS | GPA | AF Amplifier | GT | 109 | GTC | GPA | AF Amplifier | GT | 122 | GTC | GPA | Switching | GT | 123 | GTC | GPA | Switching | RR | 125 | RR | GPA | AF Amplifier | DR | 126 | TS | GPA | AF Amplifier | DR | 128 | TS | GPA | AF Amplifier | DR | 129 | TS | GPA | General Use | DR | 130 | TS | GPA | General Use | DR | 131 | TS | GPA | General Use | DR | 132 | TS | GPA | General Use | DR | 139 | TS | GPA | General Use | DR | 147 | TS | GPA | AF Power Amp | GT | 153 | GT | GPA | Switching | DR | 154 | TS | GPA | General Use | DR | 155 | TS | GPA | General Use | TS | 161 | TS | GMA | AF Amplifier | TS | 162 | TS | GMA | General Use | TS | 163 | TS | GPA | AF Amplifier | TS | 164 | TS | GPA | AF Amplifier | TS | 165 | TS | GPA | AF Amplifier | TS | 166 | TS | GPA | AF Amplifier | GT | 167 | GTC | GPA | Switching | TS | 176 | TS | GPA | AF Power Amp | 200 | TI | GNG | GPA | General Use | 201 | TI | GNG | GPA | General Use | 202 | TI | GNG | GPA | General Use | 206 | TI | GNG | GPA | AF Amplifier | 207 | TI | GNG | GPA | AF Amplifier | 208 | TI | GNG | GPA | AF Amplifier | GT | 210 | GTC | GPA | Switching | 210 | TI | GNG | GPA | AF Amplifier | 220 | TI | GNG | GPA | AF Amplifier | 221 | TI | GNG | GPA | IF Amplifier | GT | 222 | GTC | GPA | General Use | 222 | TI | GNG | GPA | IF Amplifier | 223 | TI | GNG | GPA | Converter | 224 | TI | GNG | GPA | Detector | 225 | TI | GNG | GPA | IF Amplifier | 227 | TI | GNG | GPA | IF Amplifier | 228 | TI | GNG | GPA | Detector | GT | 229 | GTC | GNA | AF Amplifier | 234 | TI | CNA | IF Amplifier | IF Amplifier | 235 | TI | GNA | GPA | Converter | GT | 269 | GTC | GPA | RF Amplifier | 301 | TI | GPA | AF Amplifier | AF Amplifier | 302 | TI | GPA | AF Amplifier | AF Amplifier | 310 | TI | GPA | AF Amplifier | AF Amplifier | 310 | TI | GPA | AF Amplifier | AF Amplifier | | | | | | | | | | | | | | | | | | | | | | | | | | | | | | | | | | | | | | | | | | | | | | | | | | | | | | | | | | | | | | | | | | | | | | | | | | | | | | | | | | | | | | | | | | | | | | | | | | | | | | | | | | | | | | | | | | | | | | | | | | | | | | | | | | | | | | | | | | | | | | | | | | | | | | | | | | | | | | | | | | | | | | | | | | | | | | | | | | | | | | | | | | | | | | | | | | | | | | | | | | | | | | | | | | | | | | | | | | | | | | | | | | | | | | | | | | | | | | | | | | | | | | | | | | | | | | | | | | | | | | | | | | | | | | | | | | | | | | | | | | | | | | | | | | | | | | | | | | | | | | | | | | | | | | | | | | | | | | | | | | | | | | | | | | | | | | | | | | | | | | | | | | | | | | | | | | | |
| 4JD1B4 | GE | GPA | Switching | Switching | 4JD4A2 | GE | GNG | IF Amplifier | IF Amplifier | 4JD4A3 | GE | GNG | Switching | Switching | 4JD4A4 | GE | GNG | IF Amplifier | IF Amplifier | 4JD4A5 | GE | GNG | RF Amplifier | RF Amplifier | 5A | SPR | GC | Switching | Switching | 5B | CTP | SD | Photo Use | Photo Use | 5C | CTP | SD | Photo Use | Photo Use | 8D | SPR | GPA | AF Amplifier | AF Amplifier | 8E | SPR | GPA | AF Amplifier | AF Amplifier | 8F | SPR | GPA | AF Amplifier | AF Amplifier | 10A | CTP | SD | Photo Use | Photo Use | 10A | SPR | GPA | AF Amplifier | AF Amplifier | 10B | CTP | SD | Photo Use | Photo Use | 10B | SPR | GPA | AF Amplifier | AF Amplifier | 10C | SPR | GPA | AF Amplifier | AF Amplifier | 11A | CTP | SO | Photo Use | Photo Use | 11B | CTP | SD | Photo Use | Photo Use | ZJ | 12 | GE | SNG | AF Amplifier | CK | 13 | RK | GPA | RF Amplifier | ZJ | 13 | GE | GNG | AF Amplifier | MN | 13A | MOT | GPA | AF Amplifier | MN | 13B | MOT | GPA | AF Amplifier | MN | 13C | MOT | GPA | AF Amplifier | ZJ | 13 | GE | GNG | AF Amplifier | CK | 14 | RK | GPA | RF Amplifier | GT | 14 | GTC | GPA | AF Amplifier | RR | 14 | RR | GPA | AF Amplifier | ZJ | 14 | GE | SD | Switching | ZJ | 14H | GTC | GPA | AF Amplifier | OC | 16 | AMP | GPA | AF Power Amp | ZJ | 16 | CK | RR | AF Power Amp | CK | 17 | RR | RR | AF Power Amp | MN | 19 | MOT | GPA | AF Amplifier | GT | 20 | GTC | GPA | AF Amplifier | RR | 20 | RR | GPA | AF Amplifier | GT | 20H | GTC | GPA | AF Amplifier | MN | 21 | MOT | GPA | AF Power Amp | RR | 21 | RR | GPA | AF Amplifier | GT | 24 | GTC | GPA | AF Amplifier | MN | 24 | MOT | GPA | AF Power Amp | MN | 25 | MOT | GPA | AF Power Amp | CK | 26 | RK | MOT | Switching | MN | 26 | MOT | GPA | AF Power Amp | MN | 28 | MOT | GPA | AF Power Amp | MN | 29 | MOT | GPA | AF Power Amp | GT | 34 | GTC | GPA | AF Amplifier | RR | 34 | RR | GPA | AF Amplifier | T | 34A | NU | GPA | AF Amplifier | T | 34B | NU | GPA | AF Amplifier | T | 34C | NU | GPA | AF Amplifier | T | 34D | NU | GPA | AF Amplifier | T | 34E | NU | GPA | AF Amplifier | T | 34F | NU | GPA | AF Amplifier | GT | 34HV | GTC | GPA | Switching | GT | 34S | GTC | GPA | Detector | GT | 38 | GTC | GPA | AF Amplifier | RR | 38 | RR | GPA | AF Amplifier | OC | 44 | AMP | GPA | RF Amplifier | OC | 45 | AMP | GPA | RF Amplifier | OC | 50 | AMP | GC | Oscillator | OC | 51 | AMP | GC | Switching | OC | 65 | AMP | GC | AF Amplifier | CT | 66 | GTC | GPA | Photo Use | OC | 66 | AMP | GPA | AF Amplifier | RR | 66 | RR | SD | AF Amplifier | OC | 70 | AMP | GPA | AF Amplifier | OC | 71 | AMP | GPA | RF Amplifier | OC | 72 | AMP | GMA | AF Amplifier | ZJ | 72 | GE | GNG | VHF Amplifier | OC | 73 | AMP | GPA | AF Amplifier | ZJ | 73 | GE | GNG | AF Amplifier | GT | 74 | GTC | GPA | AF Amplifier | GT | 75 | GTC | GPA | AF Amplifier | OC | 76 | AMP | GPA | Switching | GT | 81 | GTC | GPA | AF Amplifier | GT | 81H | GTC | GPA | AF Amplifier | GT | 81HS | GTC | GPA | AF Amplifier | GT | 82 | GTC | GPA | Switching | GT | 83 | GTC | GPA | Switching | GT | 87 | GTC | GPA | Switching | GT | 88 | GTC | GPA | Switching | DR | 100 | TS | GPA | AF Amplifier | DR | 101 | TS | GPA | AF Amplifier | DR | 102 | TS | GPA | AF Amplifier | GT | 109 | GTC | GPA | AF Amplifier | GT | 122 | GTC | GPA | Switching | GT | 123 | GTC | GPA | Switching | RR | 125 | RR | GPA | AF Amplifier | DR | 126 | TS | GPA | AF Amplifier | DR | 128 | TS | GPA | AF Amplifier | DR | 129 | TS | GPA | General Use | DR | 130 | TS | GPA | General Use | DR | 131 | TS | GPA | General Use | DR | 132 | TS | GPA | General Use | DR | 139 | TS | GPA | General Use | DR | 147 | TS | GPA | AF Power Amp | GT | 153 | GT | GPA | Switching | DR | 154 | TS | GPA | General Use | DR | 155 | TS | GPA | General Use | TS | 161 | TS | GMA | AF Amplifier | TS | 162 | TS | GMA | General Use | TS | 163 | TS | GPA | AF Amplifier | TS | 164 | TS | GPA | AF Amplifier | TS | 165 | TS | GPA | AF Amplifier | TS | 166 | TS | GPA | AF Amplifier | GT | 167 | GTC | GPA | Switching | TS | 176 | TS | GPA | AF Power Amp | 200 | TI | GNG | GPA | General Use | 201 | TI | GNG | GPA | General Use | 202 | TI | GNG | GPA | General Use | 206 | TI | GNG | GPA | AF Amplifier | 207 | TI | GNG | GPA | AF Amplifier | 208 | TI | GNG | GPA | AF Amplifier | GT | 210 | GTC | GPA | Switching | 210 | TI | GNG | GPA | AF Amplifier | 220 | TI | GNG | GPA | AF Amplifier | 221 | TI | GNG | GPA | IF Amplifier | GT | 222 | GTC | GPA | General Use | 222 | TI | GNG | GPA | IF Amplifier | 223 | TI | GNG | GPA | Converter | 224 | TI | GNG | GPA | Detector | 225 | TI | GNG | GPA | IF Amplifier | 227 | TI | GNG | GPA | IF Amplifier | 228 | TI | GNG | GPA | Detector | GT | 229 | GTC | GNA | AF Amplifier | 234 | TI | CNA | IF Amplifier | IF Amplifier | 235 | TI | GNA | GPA | Converter | GT | 269 | GTC | GPA | RF Amplifier | 301 | TI | GPA | AF Amplifier | AF Amplifier | 302 | TI | GPA | AF Amplifier | AF Amplifier | 310 | TI | GPA | AF Amplifier | AF Amplifier | 310 | TI | GPA | AF Amplifier | AF Amplifier | | | | | | | | | | | | | | | | | | | | | | | | | | | | | | | | | | | | | | | | | | | | | | | | | | | | | | | | | | | | | | | | | | | | | | | | | | | | | | | | | | | | | | | | | | | | | | | | | | | | | | | | | | | | | | | | | | | | | | | | | | | | | | | | | | | | | | | | | | | | | | | | | | | | | | | | | | | | | | | | | | | | | | | | | | | | | | | | | | | | | | | | | | | | | | | | | | | | | | | | | | | | | | | | | | | | | | | | | | | | | | | | | | | | | | | | | | | | | | | | | | | | | | | | | | | | | | | | | | | | | | | | | | | | | | | | | | | | | | | | | | | | | | | | | | | | | | | | | | | | | | | | | | | | | | | | | | | | | | | | | | | | | | | | | | | | | | | | | | | | | | | | | | | | | | | | | | | | | | | | |
| 4JD4A2 | GE | GNG | IF Amplifier | IF Amplifier | 4JD4A3 | GE | GNG | Switching | Switching | 4JD4A4 | GE | GNG | IF Amplifier | IF Amplifier | 4JD4A5 | GE | GNG | RF Amplifier | RF Amplifier | 5A | SPR | GC | Switching | Switching | 5B | CTP | SD | Photo Use | Photo Use | 5C | CTP | SD | Photo Use | Photo Use | 8D | SPR | GPA | AF Amplifier | AF Amplifier | 8E | SPR | GPA | AF Amplifier | AF Amplifier | 8F | SPR | GPA | AF Amplifier | AF Amplifier | 10A | CTP | SD | Photo Use | Photo Use | 10A | SPR | GPA | AF Amplifier | AF Amplifier | 10B | CTP | SD | Photo Use | Photo Use | 10B | SPR | GPA | AF Amplifier | AF Amplifier | 10C | SPR | GPA | AF Amplifier | AF Amplifier | 11A | CTP | SO | Photo Use | Photo Use | 11B | CTP | SD | Photo Use | Photo Use | ZJ | 12 | GE | SNG | AF Amplifier | CK | 13 | RK | GPA | RF Amplifier | ZJ | 13 | GE | GNG | AF Amplifier | MN | 13A | MOT | GPA | AF Amplifier | MN | 13B | MOT | GPA | AF Amplifier | MN | 13C | MOT | GPA | AF Amplifier | ZJ | 13 | GE | GNG | AF Amplifier | CK | 14 | RK | GPA | RF Amplifier | GT | 14 | GTC | GPA | AF Amplifier | RR | 14 | RR | GPA | AF Amplifier | ZJ | 14 | GE | SD | Switching | ZJ | 14H | GTC | GPA | AF Amplifier | OC | 16 | AMP | GPA | AF Power Amp | ZJ | 16 | CK | RR | AF Power Amp | CK | 17 | RR | RR | AF Power Amp | MN | 19 | MOT | GPA | AF Amplifier | GT | 20 | GTC | GPA | AF Amplifier | RR | 20 | RR | GPA | AF Amplifier | GT | 20H | GTC | GPA | AF Amplifier | MN | 21 | MOT | GPA | AF Power Amp | RR | 21 | RR | GPA | AF Amplifier | GT | 24 | GTC | GPA | AF Amplifier | MN | 24 | MOT | GPA | AF Power Amp | MN | 25 | MOT | GPA | AF Power Amp | CK | 26 | RK | MOT | Switching | MN | 26 | MOT | GPA | AF Power Amp | MN | 28 | MOT | GPA | AF Power Amp | MN | 29 | MOT | GPA | AF Power Amp | GT | 34 | GTC | GPA | AF Amplifier | RR | 34 | RR | GPA | AF Amplifier | T | 34A | NU | GPA | AF Amplifier | T | 34B | NU | GPA | AF Amplifier | T | 34C | NU | GPA | AF Amplifier | T | 34D | NU | GPA | AF Amplifier | T | 34E | NU | GPA | AF Amplifier | T | 34F | NU | GPA | AF Amplifier | GT | 34HV | GTC | GPA | Switching | GT | 34S | GTC | GPA | Detector | GT | 38 | GTC | GPA | AF Amplifier | RR | 38 | RR | GPA | AF Amplifier | OC | 44 | AMP | GPA | RF Amplifier | OC | 45 | AMP | GPA | RF Amplifier | OC | 50 | AMP | GC | Oscillator | OC | 51 | AMP | GC | Switching | OC | 65 | AMP | GC | AF Amplifier | CT | 66 | GTC | GPA | Photo Use | OC | 66 | AMP | GPA | AF Amplifier | RR | 66 | RR | SD | AF Amplifier | OC | 70 | AMP | GPA | AF Amplifier | OC | 71 | AMP | GPA | RF Amplifier | OC | 72 | AMP | GMA | AF Amplifier | ZJ | 72 | GE | GNG | VHF Amplifier | OC | 73 | AMP | GPA | AF Amplifier | ZJ | 73 | GE | GNG | AF Amplifier | GT | 74 | GTC | GPA | AF Amplifier | GT | 75 | GTC | GPA | AF Amplifier | OC | 76 | AMP | GPA | Switching | GT | 81 | GTC | GPA | AF Amplifier | GT | 81H | GTC | GPA | AF Amplifier | GT | 81HS | GTC | GPA | AF Amplifier | GT | 82 | GTC | GPA | Switching | GT | 83 | GTC | GPA | Switching | GT | 87 | GTC | GPA | Switching | GT | 88 | GTC | GPA | Switching | DR | 100 | TS | GPA | AF Amplifier | DR | 101 | TS | GPA | AF Amplifier | DR | 102 | TS | GPA | AF Amplifier | GT | 109 | GTC | GPA | AF Amplifier | GT | 122 | GTC | GPA | Switching | GT | 123 | GTC | GPA | Switching | RR | 125 | RR | GPA | AF Amplifier | DR | 126 | TS | GPA | AF Amplifier | DR | 128 | TS | GPA | AF Amplifier | DR | 129 | TS | GPA | General Use | DR | 130 | TS | GPA | General Use | DR | 131 | TS | GPA | General Use | DR | 132 | TS | GPA | General Use | DR | 139 | TS | GPA | General Use | DR | 147 | TS | GPA | AF Power Amp | GT | 153 | GT | GPA | Switching | DR | 154 | TS | GPA | General Use | DR | 155 | TS | GPA | General Use | TS | 161 | TS | GMA | AF Amplifier | TS | 162 | TS | GMA | General Use | TS | 163 | TS | GPA | AF Amplifier | TS | 164 | TS | GPA | AF Amplifier | TS | 165 | TS | GPA | AF Amplifier | TS | 166 | TS | GPA | AF Amplifier | GT | 167 | GTC | GPA | Switching | TS | 176 | TS | GPA | AF Power Amp | 200 | TI | GNG | GPA | General Use | 201 | TI | GNG | GPA | General Use | 202 | TI | GNG | GPA | General Use | 206 | TI | GNG | GPA | AF Amplifier | 207 | TI | GNG | GPA | AF Amplifier | 208 | TI | GNG | GPA | AF Amplifier | GT | 210 | GTC | GPA | Switching | 210 | TI | GNG | GPA | AF Amplifier | 220 | TI | GNG | GPA | AF Amplifier | 221 | TI | GNG | GPA | IF Amplifier | GT | 222 | GTC | GPA | General Use | 222 | TI | GNG | GPA | IF Amplifier | 223 | TI | GNG | GPA | Converter | 224 | TI | GNG | GPA | Detector | 225 | TI | GNG | GPA | IF Amplifier | 227 | TI | GNG | GPA | IF Amplifier | 228 | TI | GNG | GPA | Detector | GT | 229 | GTC | GNA | AF Amplifier | 234 | TI | CNA | IF Amplifier | IF Amplifier | 235 | TI | GNA | GPA | Converter | GT | 269 | GTC | GPA | RF Amplifier | 301 | TI | GPA | AF Amplifier | AF Amplifier | 302 | TI | GPA | AF Amplifier | AF Amplifier | 310 | TI | GPA | AF Amplifier | AF Amplifier | 310 | TI | GPA | AF Amplifier | AF Amplifier | | | | | | | | | | | | | | | | | | | | | | | | | | | | | | | | | | | | | | | | | | | | | | | | | | | | | | | | | | | | | | | | | | | | | | | | | | | | | | | | | | | | | | | | | | | | | | | | | | | | | | | | | | | | | | | | | | | | | | | | | | | | | | | | | | | | | | | | | | | | | | | | | | | | | | | | | | | | | | | | | | | | | | | | | | | | | | | | | | | | | | | | | | | | | | | | | | | | | | | | | | | | | | | | | | | | | | | | | | | | | | | | | | | | | | | | | | | | | | | | | | | | | | | | | | | | | | | | | | | | | | | | | | | | | | | | | | | | | | | | | | | | | | | | | | | | | | | | | | | | | | | | | | | | | | | | | | | | | | | | | | | | | | | | | | | | | | | | | | | | | | | | | | | | | | | | | | | | | | | | | | | | | |
| 4JD4A3 | GE | GNG | Switching | Switching | 4JD4A4 | GE | GNG | IF Amplifier | IF Amplifier | 4JD4A5 | GE | GNG | RF Amplifier | RF Amplifier | 5A | SPR | GC | Switching | Switching | 5B | CTP | SD | Photo Use | Photo Use | 5C | CTP | SD | Photo Use | Photo Use | 8D | SPR | GPA | AF Amplifier | AF Amplifier | 8E | SPR | GPA | AF Amplifier | AF Amplifier | 8F | SPR | GPA | AF Amplifier | AF Amplifier | 10A | CTP | SD | Photo Use | Photo Use | 10A | SPR | GPA | AF Amplifier | AF Amplifier | 10B | CTP | SD | Photo Use | Photo Use | 10B | SPR | GPA | AF Amplifier | AF Amplifier | 10C | SPR | GPA | AF Amplifier | AF Amplifier | 11A | CTP | SO | Photo Use | Photo Use | 11B | CTP | SD | Photo Use | Photo Use | ZJ | 12 | GE | SNG | AF Amplifier | CK | 13 | RK | GPA | RF Amplifier | ZJ | 13 | GE | GNG | AF Amplifier | MN | 13A | MOT | GPA | AF Amplifier | MN | 13B | MOT | GPA | AF Amplifier | MN | 13C | MOT | GPA | AF Amplifier | ZJ | 13 | GE | GNG | AF Amplifier | CK | 14 | RK | GPA | RF Amplifier | GT | 14 | GTC | GPA | AF Amplifier | RR | 14 | RR | GPA | AF Amplifier | ZJ | 14 | GE | SD | Switching | ZJ | 14H | GTC | GPA | AF Amplifier | OC | 16 | AMP | GPA | AF Power Amp | ZJ | 16 | CK | RR | AF Power Amp | CK | 17 | RR | RR | AF Power Amp | MN | 19 | MOT | GPA | AF Amplifier | GT | 20 | GTC | GPA | AF Amplifier | RR | 20 | RR | GPA | AF Amplifier | GT | 20H | GTC | GPA | AF Amplifier | MN | 21 | MOT | GPA | AF Power Amp | RR | 21 | RR | GPA | AF Amplifier | GT | 24 | GTC | GPA | AF Amplifier | MN | 24 | MOT | GPA | AF Power Amp | MN | 25 | MOT | GPA | AF Power Amp | CK | 26 | RK | MOT | Switching | MN | 26 | MOT | GPA | AF Power Amp | MN | 28 | MOT | GPA | AF Power Amp | MN | 29 | MOT | GPA | AF Power Amp | GT | 34 | GTC | GPA | AF Amplifier | RR | 34 | RR | GPA | AF Amplifier | T | 34A | NU | GPA | AF Amplifier | T | 34B | NU | GPA | AF Amplifier | T | 34C | NU | GPA | AF Amplifier | T | 34D | NU | GPA | AF Amplifier | T | 34E | NU | GPA | AF Amplifier | T | 34F | NU | GPA | AF Amplifier | GT | 34HV | GTC | GPA | Switching | GT | 34S | GTC | GPA | Detector | GT | 38 | GTC | GPA | AF Amplifier | RR | 38 | RR | GPA | AF Amplifier | OC | 44 | AMP | GPA | RF Amplifier | OC | 45 | AMP | GPA | RF Amplifier | OC | 50 | AMP | GC | Oscillator | OC | 51 | AMP | GC | Switching | OC | 65 | AMP | GC | AF Amplifier | CT | 66 | GTC | GPA | Photo Use | OC | 66 | AMP | GPA | AF Amplifier | RR | 66 | RR | SD | AF Amplifier | OC | 70 | AMP | GPA | AF Amplifier | OC | 71 | AMP | GPA | RF Amplifier | OC | 72 | AMP | GMA | AF Amplifier | ZJ | 72 | GE | GNG | VHF Amplifier | OC | 73 | AMP | GPA | AF Amplifier | ZJ | 73 | GE | GNG | AF Amplifier | GT | 74 | GTC | GPA | AF Amplifier | GT | 75 | GTC | GPA | AF Amplifier | OC | 76 | AMP | GPA | Switching | GT | 81 | GTC | GPA | AF Amplifier | GT | 81H | GTC | GPA | AF Amplifier | GT | 81HS | GTC | GPA | AF Amplifier | GT | 82 | GTC | GPA | Switching | GT | 83 | GTC | GPA | Switching | GT | 87 | GTC | GPA | Switching | GT | 88 | GTC | GPA | Switching | DR | 100 | TS | GPA | AF Amplifier | DR | 101 | TS | GPA | AF Amplifier | DR | 102 | TS | GPA | AF Amplifier | GT | 109 | GTC | GPA | AF Amplifier | GT | 122 | GTC | GPA | Switching | GT | 123 | GTC | GPA | Switching | RR | 125 | RR | GPA | AF Amplifier | DR | 126 | TS | GPA | AF Amplifier | DR | 128 | TS | GPA | AF Amplifier | DR | 129 | TS | GPA | General Use | DR | 130 | TS | GPA | General Use | DR | 131 | TS | GPA | General Use | DR | 132 | TS | GPA | General Use | DR | 139 | TS | GPA | General Use | DR | 147 | TS | GPA | AF Power Amp | GT | 153 | GT | GPA | Switching | DR | 154 | TS | GPA | General Use | DR | 155 | TS | GPA | General Use | TS | 161 | TS | GMA | AF Amplifier | TS | 162 | TS | GMA | General Use | TS | 163 | TS | GPA | AF Amplifier | TS | 164 | TS | GPA | AF Amplifier | TS | 165 | TS | GPA | AF Amplifier | TS | 166 | TS | GPA | AF Amplifier | GT | 167 | GTC | GPA | Switching | TS | 176 | TS | GPA | AF Power Amp | 200 | TI | GNG | GPA | General Use | 201 | TI | GNG | GPA | General Use | 202 | TI | GNG | GPA | General Use | 206 | TI | GNG | GPA | AF Amplifier | 207 | TI | GNG | GPA | AF Amplifier | 208 | TI | GNG | GPA | AF Amplifier | GT | 210 | GTC | GPA | Switching | 210 | TI | GNG | GPA | AF Amplifier | 220 | TI | GNG | GPA | AF Amplifier | 221 | TI | GNG | GPA | IF Amplifier | GT | 222 | GTC | GPA | General Use | 222 | TI | GNG | GPA | IF Amplifier | 223 | TI | GNG | GPA | Converter | 224 | TI | GNG | GPA | Detector | 225 | TI | GNG | GPA | IF Amplifier | 227 | TI | GNG | GPA | IF Amplifier | 228 | TI | GNG | GPA | Detector | GT | 229 | GTC | GNA | AF Amplifier | 234 | TI | CNA | IF Amplifier | IF Amplifier | 235 | TI | GNA | GPA | Converter | GT | 269 | GTC | GPA | RF Amplifier | 301 | TI | GPA | AF Amplifier | AF Amplifier | 302 | TI | GPA | AF Amplifier | AF Amplifier | 310 | TI | GPA | AF Amplifier | AF Amplifier | 310 | TI | GPA | AF Amplifier | AF Amplifier | | | | | | | | | | | | | | | | | | | | | | | | | | | | | | | | | | | | | | | | | | | | | | | | | | | | | | | | | | | | | | | | | | | | | | | | | | | | | | | | | | | | | | | | | | | | | | | | | | | | | | | | | | | | | | | | | | | | | | | | | | | | | | | | | | | | | | | | | | | | | | | | | | | | | | | | | | | | | | | | | | | | | | | | | | | | | | | | | | | | | | | | | | | | | | | | | | | | | | | | | | | | | | | | | | | | | | | | | | | | | | | | | | | | | | | | | | | | | | | | | | | | | | | | | | | | | | | | | | | | | | | | | | | | | | | | | | | | | | | | | | | | | | | | | | | | | | | | | | | | | | | | | | | | | | | | | | | | | | | | | | | | | | | | | | | | | | | | | | | | | | | | | | | | | | | | | | | | | | | | | | | | | | | | | | |
| 4JD4A4 | GE | GNG | IF Amplifier | IF Amplifier | 4JD4A5 | GE | GNG | RF Amplifier | RF Amplifier | 5A | SPR | GC | Switching | Switching | 5B | CTP | SD | Photo Use | Photo Use | 5C | CTP | SD | Photo Use | Photo Use | 8D | SPR | GPA | AF Amplifier | AF Amplifier | 8E | SPR | GPA | AF Amplifier | AF Amplifier | 8F | SPR | GPA | AF Amplifier | AF Amplifier | 10A | CTP | SD | Photo Use | Photo Use | 10A | SPR | GPA | AF Amplifier | AF Amplifier | 10B | CTP | SD | Photo Use | Photo Use | 10B | SPR | GPA | AF Amplifier | AF Amplifier | 10C | SPR | GPA | AF Amplifier | AF Amplifier | 11A | CTP | SO | Photo Use | Photo Use | 11B | CTP | SD | Photo Use | Photo Use | ZJ | 12 | GE | SNG | AF Amplifier | CK | 13 | RK | GPA | RF Amplifier | ZJ | 13 | GE | GNG | AF Amplifier | MN | 13A | MOT | GPA | AF Amplifier | MN | 13B | MOT | GPA | AF Amplifier | MN | 13C | MOT | GPA | AF Amplifier | ZJ | 13 | GE | GNG | AF Amplifier | CK | 14 | RK | GPA | RF Amplifier | GT | 14 | GTC | GPA | AF Amplifier | RR | 14 | RR | GPA | AF Amplifier | ZJ | 14 | GE | SD | Switching | ZJ | 14H | GTC | GPA | AF Amplifier | OC | 16 | AMP | GPA | AF Power Amp | ZJ | 16 | CK | RR | AF Power Amp | CK | 17 | RR | RR | AF Power Amp | MN | 19 | MOT | GPA | AF Amplifier | GT | 20 | GTC | GPA | AF Amplifier | RR | 20 | RR | GPA | AF Amplifier | GT | 20H | GTC | GPA | AF Amplifier | MN | 21 | MOT | GPA | AF Power Amp | RR | 21 | RR | GPA | AF Amplifier | GT | 24 | GTC | GPA | AF Amplifier | MN | 24 | MOT | GPA | AF Power Amp | MN | 25 | MOT | GPA | AF Power Amp | CK | 26 | RK | MOT | Switching | MN | 26 | MOT | GPA | AF Power Amp | MN | 28 | MOT | GPA | AF Power Amp | MN | 29 | MOT | GPA | AF Power Amp | GT | 34 | GTC | GPA | AF Amplifier | RR | 34 | RR | GPA | AF Amplifier | T | 34A | NU | GPA | AF Amplifier | T | 34B | NU | GPA | AF Amplifier | T | 34C | NU | GPA | AF Amplifier | T | 34D | NU | GPA | AF Amplifier | T | 34E | NU | GPA | AF Amplifier | T | 34F | NU | GPA | AF Amplifier | GT | 34HV | GTC | GPA | Switching | GT | 34S | GTC | GPA | Detector | GT | 38 | GTC | GPA | AF Amplifier | RR | 38 | RR | GPA | AF Amplifier | OC | 44 | AMP | GPA | RF Amplifier | OC | 45 | AMP | GPA | RF Amplifier | OC | 50 | AMP | GC | Oscillator | OC | 51 | AMP | GC | Switching | OC | 65 | AMP | GC | AF Amplifier | CT | 66 | GTC | GPA | Photo Use | OC | 66 | AMP | GPA | AF Amplifier | RR | 66 | RR | SD | AF Amplifier | OC | 70 | AMP | GPA | AF Amplifier | OC | 71 | AMP | GPA | RF Amplifier | OC | 72 | AMP | GMA | AF Amplifier | ZJ | 72 | GE | GNG | VHF Amplifier | OC | 73 | AMP | GPA | AF Amplifier | ZJ | 73 | GE | GNG | AF Amplifier | GT | 74 | GTC | GPA | AF Amplifier | GT | 75 | GTC | GPA | AF Amplifier | OC | 76 | AMP | GPA | Switching | GT | 81 | GTC | GPA | AF Amplifier | GT | 81H | GTC | GPA | AF Amplifier | GT | 81HS | GTC | GPA | AF Amplifier | GT | 82 | GTC | GPA | Switching | GT | 83 | GTC | GPA | Switching | GT | 87 | GTC | GPA | Switching | GT | 88 | GTC | GPA | Switching | DR | 100 | TS | GPA | AF Amplifier | DR | 101 | TS | GPA | AF Amplifier | DR | 102 | TS | GPA | AF Amplifier | GT | 109 | GTC | GPA | AF Amplifier | GT | 122 | GTC | GPA | Switching | GT | 123 | GTC | GPA | Switching | RR | 125 | RR | GPA | AF Amplifier | DR | 126 | TS | GPA | AF Amplifier | DR | 128 | TS | GPA | AF Amplifier | DR | 129 | TS | GPA | General Use | DR | 130 | TS | GPA | General Use | DR | 131 | TS | GPA | General Use | DR | 132 | TS | GPA | General Use | DR | 139 | TS | GPA | General Use | DR | 147 | TS | GPA | AF Power Amp | GT | 153 | GT | GPA | Switching | DR | 154 | TS | GPA | General Use | DR | 155 | TS | GPA | General Use | TS | 161 | TS | GMA | AF Amplifier | TS | 162 | TS | GMA | General Use | TS | 163 | TS | GPA | AF Amplifier | TS | 164 | TS | GPA | AF Amplifier | TS | 165 | TS | GPA | AF Amplifier | TS | 166 | TS | GPA | AF Amplifier | GT | 167 | GTC | GPA | Switching | TS | 176 | TS | GPA | AF Power Amp | 200 | TI | GNG | GPA | General Use | 201 | TI | GNG | GPA | General Use | 202 | TI | GNG | GPA | General Use | 206 | TI | GNG | GPA | AF Amplifier | 207 | TI | GNG | GPA | AF Amplifier | 208 | TI | GNG | GPA | AF Amplifier | GT | 210 | GTC | GPA | Switching | 210 | TI | GNG | GPA | AF Amplifier | 220 | TI | GNG | GPA | AF Amplifier | 221 | TI | GNG | GPA | IF Amplifier | GT | 222 | GTC | GPA | General Use | 222 | TI | GNG | GPA | IF Amplifier | 223 | TI | GNG | GPA | Converter | 224 | TI | GNG | GPA | Detector | 225 | TI | GNG | GPA | IF Amplifier | 227 | TI | GNG | GPA | IF Amplifier | 228 | TI | GNG | GPA | Detector | GT | 229 | GTC | GNA | AF Amplifier | 234 | TI | CNA | IF Amplifier | IF Amplifier | 235 | TI | GNA | GPA | Converter | GT | 269 | GTC | GPA | RF Amplifier | 301 | TI | GPA | AF Amplifier | AF Amplifier | 302 | TI | GPA | AF Amplifier | AF Amplifier | 310 | TI | GPA | AF Amplifier | AF Amplifier | 310 | TI | GPA | AF Amplifier | AF Amplifier | | | | | | | | | | | | | | | | | | | | | | | | | | | | | | | | | | | | | | | | | | | | | | | | | | | | | | | | | | | | | | | | | | | | | | | | | | | | | | | | | | | | | | | | | | | | | | | | | | | | | | | | | | | | | | | | | | | | | | | | | | | | | | | | | | | | | | | | | | | | | | | | | | | | | | | | | | | | | | | | | | | | | | | | | | | | | | | | | | | | | | | | | | | | | | | | | | | | | | | | | | | | | | | | | | | | | | | | | | | | | | | | | | | | | | | | | | | | | | | | | | | | | | | | | | | | | | | | | | | | | | | | | | | | | | | | | | | | | | | | | | | | | | | | | | | | | | | | | | | | | | | | | | | | | | | | | | | | | | | | | | | | | | | | | | | | | | | | | | | | | | | | | | | | | | | | | | | | | | | | | | | | | | | | | | | | | | | |
| 4JD4A5 | GE | GNG | RF Amplifier | RF Amplifier | 5A | SPR | GC | Switching | Switching | 5B | CTP | SD | Photo Use | Photo Use | 5C | CTP | SD | Photo Use | Photo Use | 8D | SPR | GPA | AF Amplifier | AF Amplifier | 8E | SPR | GPA | AF Amplifier | AF Amplifier | 8F | SPR | GPA | AF Amplifier | AF Amplifier | 10A | CTP | SD | Photo Use | Photo Use | 10A | SPR | GPA | AF Amplifier | AF Amplifier | 10B | CTP | SD | Photo Use | Photo Use | 10B | SPR | GPA | AF Amplifier | AF Amplifier | 10C | SPR | GPA | AF Amplifier | AF Amplifier | 11A | CTP | SO | Photo Use | Photo Use | 11B | CTP | SD | Photo Use | Photo Use | ZJ | 12 | GE | SNG | AF Amplifier | CK | 13 | RK | GPA | RF Amplifier | ZJ | 13 | GE | GNG | AF Amplifier | MN | 13A | MOT | GPA | AF Amplifier | MN | 13B | MOT | GPA | AF Amplifier | MN | 13C | MOT | GPA | AF Amplifier | ZJ | 13 | GE | GNG | AF Amplifier | CK | 14 | RK | GPA | RF Amplifier | GT | 14 | GTC | GPA | AF Amplifier | RR | 14 | RR | GPA | AF Amplifier | ZJ | 14 | GE | SD | Switching | ZJ | 14H | GTC | GPA | AF Amplifier | OC | 16 | AMP | GPA | AF Power Amp | ZJ | 16 | CK | RR | AF Power Amp | CK | 17 | RR | RR | AF Power Amp | MN | 19 | MOT | GPA | AF Amplifier | GT | 20 | GTC | GPA | AF Amplifier | RR | 20 | RR | GPA | AF Amplifier | GT | 20H | GTC | GPA | AF Amplifier | MN | 21 | MOT | GPA | AF Power Amp | RR | 21 | RR | GPA | AF Amplifier | GT | 24 | GTC | GPA | AF Amplifier | MN | 24 | MOT | GPA | AF Power Amp | MN | 25 | MOT | GPA | AF Power Amp | CK | 26 | RK | MOT | Switching | MN | 26 | MOT | GPA | AF Power Amp | MN | 28 | MOT | GPA | AF Power Amp | MN | 29 | MOT | GPA | AF Power Amp | GT | 34 | GTC | GPA | AF Amplifier | RR | 34 | RR | GPA | AF Amplifier | T | 34A | NU | GPA | AF Amplifier | T | 34B | NU | GPA | AF Amplifier | T | 34C | NU | GPA | AF Amplifier | T | 34D | NU | GPA | AF Amplifier | T | 34E | NU | GPA | AF Amplifier | T | 34F | NU | GPA | AF Amplifier | GT | 34HV | GTC | GPA | Switching | GT | 34S | GTC | GPA | Detector | GT | 38 | GTC | GPA | AF Amplifier | RR | 38 | RR | GPA | AF Amplifier | OC | 44 | AMP | GPA | RF Amplifier | OC | 45 | AMP | GPA | RF Amplifier | OC | 50 | AMP | GC | Oscillator | OC | 51 | AMP | GC | Switching | OC | 65 | AMP | GC | AF Amplifier | CT | 66 | GTC | GPA | Photo Use | OC | 66 | AMP | GPA | AF Amplifier | RR | 66 | RR | SD | AF Amplifier | OC | 70 | AMP | GPA | AF Amplifier | OC | 71 | AMP | GPA | RF Amplifier | OC | 72 | AMP | GMA | AF Amplifier | ZJ | 72 | GE | GNG | VHF Amplifier | OC | 73 | AMP | GPA | AF Amplifier | ZJ | 73 | GE | GNG | AF Amplifier | GT | 74 | GTC | GPA | AF Amplifier | GT | 75 | GTC | GPA | AF Amplifier | OC | 76 | AMP | GPA | Switching | GT | 81 | GTC | GPA | AF Amplifier | GT | 81H | GTC | GPA | AF Amplifier | GT | 81HS | GTC | GPA | AF Amplifier | GT | 82 | GTC | GPA | Switching | GT | 83 | GTC | GPA | Switching | GT | 87 | GTC | GPA | Switching | GT | 88 | GTC | GPA | Switching | DR | 100 | TS | GPA | AF Amplifier | DR | 101 | TS | GPA | AF Amplifier | DR | 102 | TS | GPA | AF Amplifier | GT | 109 | GTC | GPA | AF Amplifier | GT | 122 | GTC | GPA | Switching | GT | 123 | GTC | GPA | Switching | RR | 125 | RR | GPA | AF Amplifier | DR | 126 | TS | GPA | AF Amplifier | DR | 128 | TS | GPA | AF Amplifier | DR | 129 | TS | GPA | General Use | DR | 130 | TS | GPA | General Use | DR | 131 | TS | GPA | General Use | DR | 132 | TS | GPA | General Use | DR | 139 | TS | GPA | General Use | DR | 147 | TS | GPA | AF Power Amp | GT | 153 | GT | GPA | Switching | DR | 154 | TS | GPA | General Use | DR | 155 | TS | GPA | General Use | TS | 161 | TS | GMA | AF Amplifier | TS | 162 | TS | GMA | General Use | TS | 163 | TS | GPA | AF Amplifier | TS | 164 | TS | GPA | AF Amplifier | TS | 165 | TS | GPA | AF Amplifier | TS | 166 | TS | GPA | AF Amplifier | GT | 167 | GTC | GPA | Switching | TS | 176 | TS | GPA | AF Power Amp | 200 | TI | GNG | GPA | General Use | 201 | TI | GNG | GPA | General Use | 202 | TI | GNG | GPA | General Use | 206 | TI | GNG | GPA | AF Amplifier | 207 | TI | GNG | GPA | AF Amplifier | 208 | TI | GNG | GPA | AF Amplifier | GT | 210 | GTC | GPA | Switching | 210 | TI | GNG | GPA | AF Amplifier | 220 | TI | GNG | GPA | AF Amplifier | 221 | TI | GNG | GPA | IF Amplifier | GT | 222 | GTC | GPA | General Use | 222 | TI | GNG | GPA | IF Amplifier | 223 | TI | GNG | GPA | Converter | 224 | TI | GNG | GPA | Detector | 225 | TI | GNG | GPA | IF Amplifier | 227 | TI | GNG | GPA | IF Amplifier | 228 | TI | GNG | GPA | Detector | GT | 229 | GTC | GNA | AF Amplifier | 234 | TI | CNA | IF Amplifier | IF Amplifier | 235 | TI | GNA | GPA | Converter | GT | 269 | GTC | GPA | RF Amplifier | 301 | TI | GPA | AF Amplifier | AF Amplifier | 302 | TI | GPA | AF Amplifier | AF Amplifier | 310 | TI | GPA | AF Amplifier | AF Amplifier | 310 | TI | GPA | AF Amplifier | AF Amplifier | | | | | | | | | | | | | | | | | | | | | | | | | | | | | | | | | | | | | | | | | | | | | | | | | | | | | | | | | | | | | | | | | | | | | | | | | | | | | | | | | | | | | | | | | | | | | | | | | | | | | | | | | | | | | | | | | | | | | | | | | | | | | | | | | | | | | | | | | | | | | | | | | | | | | | | | | | | | | | | | | | | | | | | | | | | | | | | | | | | | | | | | | | | | | | | | | | | | | | | | | | | | | | | | | | | | | | | | | | | | | | | | | | | | | | | | | | | | | | | | | | | | | | | | | | | | | | | | | | | | | | | | | | | | | | | | | | | | | | | | | | | | | | | | | | | | | | | | | | | | | | | | | | | | | | | | | | | | | | | | | | | | | | | | | | | | | | | | | | | | | | | | | | | | | | | | | | | | | | | | | | | | | | | | | | | | | | | | | | | | |
| 5A | SPR | GC | Switching | Switching | 5B | CTP | SD | Photo Use | Photo Use | 5C | CTP | SD | Photo Use | Photo Use | 8D | SPR | GPA | AF Amplifier | AF Amplifier | 8E | SPR | GPA | AF Amplifier | AF Amplifier | 8F | SPR | GPA | AF Amplifier | AF Amplifier | 10A | CTP | SD | Photo Use | Photo Use | 10A | SPR | GPA | AF Amplifier | AF Amplifier | 10B | CTP | SD | Photo Use | Photo Use | 10B | SPR | GPA | AF Amplifier | AF Amplifier | 10C | SPR | GPA | AF Amplifier | AF Amplifier | 11A | CTP | SO | Photo Use | Photo Use | 11B | CTP | SD | Photo Use | Photo Use | ZJ | 12 | GE | SNG | AF Amplifier | CK | 13 | RK | GPA | RF Amplifier | ZJ | 13 | GE | GNG | AF Amplifier | MN | 13A | MOT | GPA | AF Amplifier | MN | 13B | MOT | GPA | AF Amplifier | MN | 13C | MOT | GPA | AF Amplifier | ZJ | 13 | GE | GNG | AF Amplifier | CK | 14 | RK | GPA | RF Amplifier | GT | 14 | GTC | GPA | AF Amplifier | RR | 14 | RR | GPA | AF Amplifier | ZJ | 14 | GE | SD | Switching | ZJ | 14H | GTC | GPA | AF Amplifier | OC | 16 | AMP | GPA | AF Power Amp | ZJ | 16 | CK | RR | AF Power Amp | CK | 17 | RR | RR | AF Power Amp | MN | 19 | MOT | GPA | AF Amplifier | GT | 20 | GTC | GPA | AF Amplifier | RR | 20 | RR | GPA | AF Amplifier | GT | 20H | GTC | GPA | AF Amplifier | MN | 21 | MOT | GPA | AF Power Amp | RR | 21 | RR | GPA | AF Amplifier | GT | 24 | GTC | GPA | AF Amplifier | MN | 24 | MOT | GPA | AF Power Amp | MN | 25 | MOT | GPA | AF Power Amp | CK | 26 | RK | MOT | Switching | MN | 26 | MOT | GPA | AF Power Amp | MN | 28 | MOT | GPA | AF Power Amp | MN | 29 | MOT | GPA | AF Power Amp | GT | 34 | GTC | GPA | AF Amplifier | RR | 34 | RR | GPA | AF Amplifier | T | 34A | NU | GPA | AF Amplifier | T | 34B | NU | GPA | AF Amplifier | T | 34C | NU | GPA | AF Amplifier | T | 34D | NU | GPA | AF Amplifier | T | 34E | NU | GPA | AF Amplifier | T | 34F | NU | GPA | AF Amplifier | GT | 34HV | GTC | GPA | Switching | GT | 34S | GTC | GPA | Detector | GT | 38 | GTC | GPA | AF Amplifier | RR | 38 | RR | GPA | AF Amplifier | OC | 44 | AMP | GPA | RF Amplifier | OC | 45 | AMP | GPA | RF Amplifier | OC | 50 | AMP | GC | Oscillator | OC | 51 | AMP | GC | Switching | OC | 65 | AMP | GC | AF Amplifier | CT | 66 | GTC | GPA | Photo Use | OC | 66 | AMP | GPA | AF Amplifier | RR | 66 | RR | SD | AF Amplifier | OC | 70 | AMP | GPA | AF Amplifier | OC | 71 | AMP | GPA | RF Amplifier | OC | 72 | AMP | GMA | AF Amplifier | ZJ | 72 | GE | GNG | VHF Amplifier | OC | 73 | AMP | GPA | AF Amplifier | ZJ | 73 | GE | GNG | AF Amplifier | GT | 74 | GTC | GPA | AF Amplifier | GT | 75 | GTC | GPA | AF Amplifier | OC | 76 | AMP | GPA | Switching | GT | 81 | GTC | GPA | AF Amplifier | GT | 81H | GTC | GPA | AF Amplifier | GT | 81HS | GTC | GPA | AF Amplifier | GT | 82 | GTC | GPA | Switching | GT | 83 | GTC | GPA | Switching | GT | 87 | GTC | GPA | Switching | GT | 88 | GTC | GPA | Switching | DR | 100 | TS | GPA | AF Amplifier | DR | 101 | TS | GPA | AF Amplifier | DR | 102 | TS | GPA | AF Amplifier | GT | 109 | GTC | GPA | AF Amplifier | GT | 122 | GTC | GPA | Switching | GT | 123 | GTC | GPA | Switching | RR | 125 | RR | GPA | AF Amplifier | DR | 126 | TS | GPA | AF Amplifier | DR | 128 | TS | GPA | AF Amplifier | DR | 129 | TS | GPA | General Use | DR | 130 | TS | GPA | General Use | DR | 131 | TS | GPA | General Use | DR | 132 | TS | GPA | General Use | DR | 139 | TS | GPA | General Use | DR | 147 | TS | GPA | AF Power Amp | GT | 153 | GT | GPA | Switching | DR | 154 | TS | GPA | General Use | DR | 155 | TS | GPA | General Use | TS | 161 | TS | GMA | AF Amplifier | TS | 162 | TS | GMA | General Use | TS | 163 | TS | GPA | AF Amplifier | TS | 164 | TS | GPA | AF Amplifier | TS | 165 | TS | GPA | AF Amplifier | TS | 166 | TS | GPA | AF Amplifier | GT | 167 | GTC | GPA | Switching | TS | 176 | TS | GPA | AF Power Amp | 200 | TI | GNG | GPA | General Use | 201 | TI | GNG | GPA | General Use | 202 | TI | GNG | GPA | General Use | 206 | TI | GNG | GPA | AF Amplifier | 207 | TI | GNG | GPA | AF Amplifier | 208 | TI | GNG | GPA | AF Amplifier | GT | 210 | GTC | GPA | Switching | 210 | TI | GNG | GPA | AF Amplifier | 220 | TI | GNG | GPA | AF Amplifier | 221 | TI | GNG | GPA | IF Amplifier | GT | 222 | GTC | GPA | General Use | 222 | TI | GNG | GPA | IF Amplifier | 223 | TI | GNG | GPA | Converter | 224 | TI | GNG | GPA | Detector | 225 | TI | GNG | GPA | IF Amplifier | 227 | TI | GNG | GPA | IF Amplifier | 228 | TI | GNG | GPA | Detector | GT | 229 | GTC | GNA | AF Amplifier | 234 | TI | CNA | IF Amplifier | IF Amplifier | 235 | TI | GNA | GPA | Converter | GT | 269 | GTC | GPA | RF Amplifier | 301 | TI | GPA | AF Amplifier | AF Amplifier | 302 | TI | GPA | AF Amplifier | AF Amplifier | 310 | TI | GPA | AF Amplifier | AF Amplifier | 310 | TI | GPA | AF Amplifier | AF Amplifier | | | | | | | | | | | | | | | | | | | | | | | | | | | | | | | | | | | | | | | | | | | | | | | | | | | | | | | | | | | | | | | | | | | | | | | | | | | | | | | | | | | | | | | | | | | | | | | | | | | | | | | | | | | | | | | | | | | | | | | | | | | | | | | | | | | | | | | | | | | | | | | | | | | | | | | | | | | | | | | | | | | | | | | | | | | | | | | | | | | | | | | | | | | | | | | | | | | | | | | | | | | | | | | | | | | | | | | | | | | | | | | | | | | | | | | | | | | | | | | | | | | | | | | | | | | | | | | | | | | | | | | | | | | | | | | | | | | | | | | | | | | | | | | | | | | | | | | | | | | | | | | | | | | | | | | | | | | | | | | | | | | | | | | | | | | | | | | | | | | | | | | | | | | | | | | | | | | | | | | | | | | | | | | | | | | | | | | | | | | | | | | | | |
| 5B | CTP | SD | Photo Use | Photo Use | 5C | CTP | SD | Photo Use | Photo Use | 8D | SPR | GPA | AF Amplifier | AF Amplifier | 8E | SPR | GPA | AF Amplifier | AF Amplifier | 8F | SPR | GPA | AF Amplifier | AF Amplifier | 10A | CTP | SD | Photo Use | Photo Use | 10A | SPR | GPA | AF Amplifier | AF Amplifier | 10B | CTP | SD | Photo Use | Photo Use | 10B | SPR | GPA | AF Amplifier | AF Amplifier | 10C | SPR | GPA | AF Amplifier | AF Amplifier | 11A | CTP | SO | Photo Use | Photo Use | 11B | CTP | SD | Photo Use | Photo Use | ZJ | 12 | GE | SNG | AF Amplifier | CK | 13 | RK | GPA | RF Amplifier | ZJ | 13 | GE | GNG | AF Amplifier | MN | 13A | MOT | GPA | AF Amplifier | MN | 13B | MOT | GPA | AF Amplifier | MN | 13C | MOT | GPA | AF Amplifier | ZJ | 13 | GE | GNG | AF Amplifier | CK | 14 | RK | GPA | RF Amplifier | GT | 14 | GTC | GPA | AF Amplifier | RR | 14 | RR | GPA | AF Amplifier | ZJ | 14 | GE | SD | Switching | ZJ | 14H | GTC | GPA | AF Amplifier | OC | 16 | AMP | GPA | AF Power Amp | ZJ | 16 | CK | RR | AF Power Amp | CK | 17 | RR | RR | AF Power Amp | MN | 19 | MOT | GPA | AF Amplifier | GT | 20 | GTC | GPA | AF Amplifier | RR | 20 | RR | GPA | AF Amplifier | GT | 20H | GTC | GPA | AF Amplifier | MN | 21 | MOT | GPA | AF Power Amp | RR | 21 | RR | GPA | AF Amplifier | GT | 24 | GTC | GPA | AF Amplifier | MN | 24 | MOT | GPA | AF Power Amp | MN | 25 | MOT | GPA | AF Power Amp | CK | 26 | RK | MOT | Switching | MN | 26 | MOT | GPA | AF Power Amp | MN | 28 | MOT | GPA | AF Power Amp | MN | 29 | MOT | GPA | AF Power Amp | GT | 34 | GTC | GPA | AF Amplifier | RR | 34 | RR | GPA | AF Amplifier | T | 34A | NU | GPA | AF Amplifier | T | 34B | NU | GPA | AF Amplifier | T | 34C | NU | GPA | AF Amplifier | T | 34D | NU | GPA | AF Amplifier | T | 34E | NU | GPA | AF Amplifier | T | 34F | NU | GPA | AF Amplifier | GT | 34HV | GTC | GPA | Switching | GT | 34S | GTC | GPA | Detector | GT | 38 | GTC | GPA | AF Amplifier | RR | 38 | RR | GPA | AF Amplifier | OC | 44 | AMP | GPA | RF Amplifier | OC | 45 | AMP | GPA | RF Amplifier | OC | 50 | AMP | GC | Oscillator | OC | 51 | AMP | GC | Switching | OC | 65 | AMP | GC | AF Amplifier | CT | 66 | GTC | GPA | Photo Use | OC | 66 | AMP | GPA | AF Amplifier | RR | 66 | RR | SD | AF Amplifier | OC | 70 | AMP | GPA | AF Amplifier | OC | 71 | AMP | GPA | RF Amplifier | OC | 72 | AMP | GMA | AF Amplifier | ZJ | 72 | GE | GNG | VHF Amplifier | OC | 73 | AMP | GPA | AF Amplifier | ZJ | 73 | GE | GNG | AF Amplifier | GT | 74 | GTC | GPA | AF Amplifier | GT | 75 | GTC | GPA | AF Amplifier | OC | 76 | AMP | GPA | Switching | GT | 81 | GTC | GPA | AF Amplifier | GT | 81H | GTC | GPA | AF Amplifier | GT | 81HS | GTC | GPA | AF Amplifier | GT | 82 | GTC | GPA | Switching | GT | 83 | GTC | GPA | Switching | GT | 87 | GTC | GPA | Switching | GT | 88 | GTC | GPA | Switching | DR | 100 | TS | GPA | AF Amplifier | DR | 101 | TS | GPA | AF Amplifier | DR | 102 | TS | GPA | AF Amplifier | GT | 109 | GTC | GPA | AF Amplifier | GT | 122 | GTC | GPA | Switching | GT | 123 | GTC | GPA | Switching | RR | 125 | RR | GPA | AF Amplifier | DR | 126 | TS | GPA | AF Amplifier | DR | 128 | TS | GPA | AF Amplifier | DR | 129 | TS | GPA | General Use | DR | 130 | TS | GPA | General Use | DR | 131 | TS | GPA | General Use | DR | 132 | TS | GPA | General Use | DR | 139 | TS | GPA | General Use | DR | 147 | TS | GPA | AF Power Amp | GT | 153 | GT | GPA | Switching | DR | 154 | TS | GPA | General Use | DR | 155 | TS | GPA | General Use | TS | 161 | TS | GMA | AF Amplifier | TS | 162 | TS | GMA | General Use | TS | 163 | TS | GPA | AF Amplifier | TS | 164 | TS | GPA | AF Amplifier | TS | 165 | TS | GPA | AF Amplifier | TS | 166 | TS | GPA | AF Amplifier | GT | 167 | GTC | GPA | Switching | TS | 176 | TS | GPA | AF Power Amp | 200 | TI | GNG | GPA | General Use | 201 | TI | GNG | GPA | General Use | 202 | TI | GNG | GPA | General Use | 206 | TI | GNG | GPA | AF Amplifier | 207 | TI | GNG | GPA | AF Amplifier | 208 | TI | GNG | GPA | AF Amplifier | GT | 210 | GTC | GPA | Switching | 210 | TI | GNG | GPA | AF Amplifier | 220 | TI | GNG | GPA | AF Amplifier | 221 | TI | GNG | GPA | IF Amplifier | GT | 222 | GTC | GPA | General Use | 222 | TI | GNG | GPA | IF Amplifier | 223 | TI | GNG | GPA | Converter | 224 | TI | GNG | GPA | Detector | 225 | TI | GNG | GPA | IF Amplifier | 227 | TI | GNG | GPA | IF Amplifier | 228 | TI | GNG | GPA | Detector | GT | 229 | GTC | GNA | AF Amplifier | 234 | TI | CNA | IF Amplifier | IF Amplifier | 235 | TI | GNA | GPA | Converter | GT | 269 | GTC | GPA | RF Amplifier | 301 | TI | GPA | AF Amplifier | AF Amplifier | 302 | TI | GPA | AF Amplifier | AF Amplifier | 310 | TI | GPA | AF Amplifier | AF Amplifier | 310 | TI | GPA | AF Amplifier | AF Amplifier | | | | | | | | | | | | | | | | | | | | | | | | | | | | | | | | | | | | | | | | | | | | | | | | | | | | | | | | | | | | | | | | | | | | | | | | | | | | | | | | | | | | | | | | | | | | | | | | | | | | | | | | | | | | | | | | | | | | | | | | | | | | | | | | | | | | | | | | | | | | | | | | | | | | | | | | | | | | | | | | | | | | | | | | | | | | | | | | | | | | | | | | | | | | | | | | | | | | | | | | | | | | | | | | | | | | | | | | | | | | | | | | | | | | | | | | | | | | | | | | | | | | | | | | | | | | | | | | | | | | | | | | | | | | | | | | | | | | | | | | | | | | | | | | | | | | | | | | | | | | | | | | | | | | | | | | | | | | | | | | | | | | | | | | | | | | | | | | | | | | | | | | | | | | | | | | | | | | | | | | | | | | | | | | | | | | | | | | | | | | | | | | | | | | | | |
| 5C | CTP | SD | Photo Use | Photo Use | 8D | SPR | GPA | AF Amplifier | AF Amplifier | 8E | SPR | GPA | AF Amplifier | AF Amplifier | 8F | SPR | GPA | AF Amplifier | AF Amplifier | 10A | CTP | SD | Photo Use | Photo Use | 10A | SPR | GPA | AF Amplifier | AF Amplifier | 10B | CTP | SD | Photo Use | Photo Use | 10B | SPR | GPA | AF Amplifier | AF Amplifier | 10C | SPR | GPA | AF Amplifier | AF Amplifier | 11A | CTP | SO | Photo Use | Photo Use | 11B | CTP | SD | Photo Use | Photo Use | ZJ | 12 | GE | SNG | AF Amplifier | CK | 13 | RK | GPA | RF Amplifier | ZJ | 13 | GE | GNG | AF Amplifier | MN | 13A | MOT | GPA | AF Amplifier | MN | 13B | MOT | GPA | AF Amplifier | MN | 13C | MOT | GPA | AF Amplifier | ZJ | 13 | GE | GNG | AF Amplifier | CK | 14 | RK | GPA | RF Amplifier | GT | 14 | GTC | GPA | AF Amplifier | RR | 14 | RR | GPA | AF Amplifier | ZJ | 14 | GE | SD | Switching | ZJ | 14H | GTC | GPA | AF Amplifier | OC | 16 | AMP | GPA | AF Power Amp | ZJ | 16 | CK | RR | AF Power Amp | CK | 17 | RR | RR | AF Power Amp | MN | 19 | MOT | GPA | AF Amplifier | GT | 20 | GTC | GPA | AF Amplifier | RR | 20 | RR | GPA | AF Amplifier | GT | 20H | GTC | GPA | AF Amplifier | MN | 21 | MOT | GPA | AF Power Amp | RR | 21 | RR | GPA | AF Amplifier | GT | 24 | GTC | GPA | AF Amplifier | MN | 24 | MOT | GPA | AF Power Amp | MN | 25 | MOT | GPA | AF Power Amp | CK | 26 | RK | MOT | Switching | MN | 26 | MOT | GPA | AF Power Amp | MN | 28 | MOT | GPA | AF Power Amp | MN | 29 | MOT | GPA | AF Power Amp | GT | 34 | GTC | GPA | AF Amplifier | RR | 34 | RR | GPA | AF Amplifier | T | 34A | NU | GPA | AF Amplifier | T | 34B | NU | GPA | AF Amplifier | T | 34C | NU | GPA | AF Amplifier | T | 34D | NU | GPA | AF Amplifier | T | 34E | NU | GPA | AF Amplifier | T | 34F | NU | GPA | AF Amplifier | GT | 34HV | GTC | GPA | Switching | GT | 34S | GTC | GPA | Detector | GT | 38 | GTC | GPA | AF Amplifier | RR | 38 | RR | GPA | AF Amplifier | OC | 44 | AMP | GPA | RF Amplifier | OC | 45 | AMP | GPA | RF Amplifier | OC | 50 | AMP | GC | Oscillator | OC | 51 | AMP | GC | Switching | OC | 65 | AMP | GC | AF Amplifier | CT | 66 | GTC | GPA | Photo Use | OC | 66 | AMP | GPA | AF Amplifier | RR | 66 | RR | SD | AF Amplifier | OC | 70 | AMP | GPA | AF Amplifier | OC | 71 | AMP | GPA | RF Amplifier | OC | 72 | AMP | GMA | AF Amplifier | ZJ | 72 | GE | GNG | VHF Amplifier | OC | 73 | AMP | GPA | AF Amplifier | ZJ | 73 | GE | GNG | AF Amplifier | GT | 74 | GTC | GPA | AF Amplifier | GT | 75 | GTC | GPA | AF Amplifier | OC | 76 | AMP | GPA | Switching | GT | 81 | GTC | GPA | AF Amplifier | GT | 81H | GTC | GPA | AF Amplifier | GT | 81HS | GTC | GPA | AF Amplifier | GT | 82 | GTC | GPA | Switching | GT | 83 | GTC | GPA | Switching | GT | 87 | GTC | GPA | Switching | GT | 88 | GTC | GPA | Switching | DR | 100 | TS | GPA | AF Amplifier | DR | 101 | TS | GPA | AF Amplifier | DR | 102 | TS | GPA | AF Amplifier | GT | 109 | GTC | GPA | AF Amplifier | GT | 122 | GTC | GPA | Switching | GT | 123 | GTC | GPA | Switching | RR | 125 | RR | GPA | AF Amplifier | DR | 126 | TS | GPA | AF Amplifier | DR | 128 | TS | GPA | AF Amplifier | DR | 129 | TS | GPA | General Use | DR | 130 | TS | GPA | General Use | DR | 131 | TS | GPA | General Use | DR | 132 | TS | GPA | General Use | DR | 139 | TS | GPA | General Use | DR | 147 | TS | GPA | AF Power Amp | GT | 153 | GT | GPA | Switching | DR | 154 | TS | GPA | General Use | DR | 155 | TS | GPA | General Use | TS | 161 | TS | GMA | AF Amplifier | TS | 162 | TS | GMA | General Use | TS | 163 | TS | GPA | AF Amplifier | TS | 164 | TS | GPA | AF Amplifier | TS | 165 | TS | GPA | AF Amplifier | TS | 166 | TS | GPA | AF Amplifier | GT | 167 | GTC | GPA | Switching | TS | 176 | TS | GPA | AF Power Amp | 200 | TI | GNG | GPA | General Use | 201 | TI | GNG | GPA | General Use | 202 | TI | GNG | GPA | General Use | 206 | TI | GNG | GPA | AF Amplifier | 207 | TI | GNG | GPA | AF Amplifier | 208 | TI | GNG | GPA | AF Amplifier | GT | 210 | GTC | GPA | Switching | 210 | TI | GNG | GPA | AF Amplifier | 220 | TI | GNG | GPA | AF Amplifier | 221 | TI | GNG | GPA | IF Amplifier | GT | 222 | GTC | GPA | General Use | 222 | TI | GNG | GPA | IF Amplifier | 223 | TI | GNG | GPA | Converter | 224 | TI | GNG | GPA | Detector | 225 | TI | GNG | GPA | IF Amplifier | 227 | TI | GNG | GPA | IF Amplifier | 228 | TI | GNG | GPA | Detector | GT | 229 | GTC | GNA | AF Amplifier | 234 | TI | CNA | IF Amplifier | IF Amplifier | 235 | TI | GNA | GPA | Converter | GT | 269 | GTC | GPA | RF Amplifier | 301 | TI | GPA | AF Amplifier | AF Amplifier | 302 | TI | GPA | AF Amplifier | AF Amplifier | 310 | TI | GPA | AF Amplifier | AF Amplifier | 310 | TI | GPA | AF Amplifier | AF Amplifier | | | | | | | | | | | | | | | | | | | | | | | | | | | | | | | | | | | | | | | | | | | | | | | | | | | | | | | | | | | | | | | | | | | | | | | | | | | | | | | | | | | | | | | | | | | | | | | | | | | | | | | | | | | | | | | | | | | | | | | | | | | | | | | | | | | | | | | | | | | | | | | | | | | | | | | | | | | | | | | | | | | | | | | | | | | | | | | | | | | | | | | | | | | | | | | | | | | | | | | | | | | | | | | | | | | | | | | | | | | | | | | | | | | | | | | | | | | | | | | | | | | | | | | | | | | | | | | | | | | | | | | | | | | | | | | | | | | | | | | | | | | | | | | | | | | | | | | | | | | | | | | | | | | | | | | | | | | | | | | | | | | | | | | | | | | | | | | | | | | | | | | | | | | | | | | | | | | | | | | | | | | | | | | | | | | | | | | | | | | | | | | | | | | | | | | | | | | |
| 8D | SPR | GPA | AF Amplifier | AF Amplifier | 8E | SPR | GPA | AF Amplifier | AF Amplifier | 8F | SPR | GPA | AF Amplifier | AF Amplifier | 10A | CTP | SD | Photo Use | Photo Use | 10A | SPR | GPA | AF Amplifier | AF Amplifier | 10B | CTP | SD | Photo Use | Photo Use | 10B | SPR | GPA | AF Amplifier | AF Amplifier | 10C | SPR | GPA | AF Amplifier | AF Amplifier | 11A | CTP | SO | Photo Use | Photo Use | 11B | CTP | SD | Photo Use | Photo Use | ZJ | 12 | GE | SNG | AF Amplifier | CK | 13 | RK | GPA | RF Amplifier | ZJ | 13 | GE | GNG | AF Amplifier | MN | 13A | MOT | GPA | AF Amplifier | MN | 13B | MOT | GPA | AF Amplifier | MN | 13C | MOT | GPA | AF Amplifier | ZJ | 13 | GE | GNG | AF Amplifier | CK | 14 | RK | GPA | RF Amplifier | GT | 14 | GTC | GPA | AF Amplifier | RR | 14 | RR | GPA | AF Amplifier | ZJ | 14 | GE | SD | Switching | ZJ | 14H | GTC | GPA | AF Amplifier | OC | 16 | AMP | GPA | AF Power Amp | ZJ | 16 | CK | RR | AF Power Amp | CK | 17 | RR | RR | AF Power Amp | MN | 19 | MOT | GPA | AF Amplifier | GT | 20 | GTC | GPA | AF Amplifier | RR | 20 | RR | GPA | AF Amplifier | GT | 20H | GTC | GPA | AF Amplifier | MN | 21 | MOT | GPA | AF Power Amp | RR | 21 | RR | GPA | AF Amplifier | GT | 24 | GTC | GPA | AF Amplifier | MN | 24 | MOT | GPA | AF Power Amp | MN | 25 | MOT | GPA | AF Power Amp | CK | 26 | RK | MOT | Switching | MN | 26 | MOT | GPA | AF Power Amp | MN | 28 | MOT | GPA | AF Power Amp | MN | 29 | MOT | GPA | AF Power Amp | GT | 34 | GTC | GPA | AF Amplifier | RR | 34 | RR | GPA | AF Amplifier | T | 34A | NU | GPA | AF Amplifier | T | 34B | NU | GPA | AF Amplifier | T | 34C | NU | GPA | AF Amplifier | T | 34D | NU | GPA | AF Amplifier | T | 34E | NU | GPA | AF Amplifier | T | 34F | NU | GPA | AF Amplifier | GT | 34HV | GTC | GPA | Switching | GT | 34S | GTC | GPA | Detector | GT | 38 | GTC | GPA | AF Amplifier | RR | 38 | RR | GPA | AF Amplifier | OC | 44 | AMP | GPA | RF Amplifier | OC | 45 | AMP | GPA | RF Amplifier | OC | 50 | AMP | GC | Oscillator | OC | 51 | AMP | GC | Switching | OC | 65 | AMP | GC | AF Amplifier | CT | 66 | GTC | GPA | Photo Use | OC | 66 | AMP | GPA | AF Amplifier | RR | 66 | RR | SD | AF Amplifier | OC | 70 | AMP | GPA | AF Amplifier | OC | 71 | AMP | GPA | RF Amplifier | OC | 72 | AMP | GMA | AF Amplifier | ZJ | 72 | GE | GNG | VHF Amplifier | OC | 73 | AMP | GPA | AF Amplifier | ZJ | 73 | GE | GNG | AF Amplifier | GT | 74 | GTC | GPA | AF Amplifier | GT | 75 | GTC | GPA | AF Amplifier | OC | 76 | AMP | GPA | Switching | GT | 81 | GTC | GPA | AF Amplifier | GT | 81H | GTC | GPA | AF Amplifier | GT | 81HS | GTC | GPA | AF Amplifier | GT | 82 | GTC | GPA | Switching | GT | 83 | GTC | GPA | Switching | GT | 87 | GTC | GPA | Switching | GT | 88 | GTC | GPA | Switching | DR | 100 | TS | GPA | AF Amplifier | DR | 101 | TS | GPA | AF Amplifier | DR | 102 | TS | GPA | AF Amplifier | GT | 109 | GTC | GPA | AF Amplifier | GT | 122 | GTC | GPA | Switching | GT | 123 | GTC | GPA | Switching | RR | 125 | RR | GPA | AF Amplifier | DR | 126 | TS | GPA | AF Amplifier | DR | 128 | TS | GPA | AF Amplifier | DR | 129 | TS | GPA | General Use | DR | 130 | TS | GPA | General Use | DR | 131 | TS | GPA | General Use | DR | 132 | TS | GPA | General Use | DR | 139 | TS | GPA | General Use | DR | 147 | TS | GPA | AF Power Amp | GT | 153 | GT | GPA | Switching | DR | 154 | TS | GPA | General Use | DR | 155 | TS | GPA | General Use | TS | 161 | TS | GMA | AF Amplifier | TS | 162 | TS | GMA | General Use | TS | 163 | TS | GPA | AF Amplifier | TS | 164 | TS | GPA | AF Amplifier | TS | 165 | TS | GPA | AF Amplifier | TS | 166 | TS | GPA | AF Amplifier | GT | 167 | GTC | GPA | Switching | TS | 176 | TS | GPA | AF Power Amp | 200 | TI | GNG | GPA | General Use | 201 | TI | GNG | GPA | General Use | 202 | TI | GNG | GPA | General Use | 206 | TI | GNG | GPA | AF Amplifier | 207 | TI | GNG | GPA | AF Amplifier | 208 | TI | GNG | GPA | AF Amplifier | GT | 210 | GTC | GPA | Switching | 210 | TI | GNG | GPA | AF Amplifier | 220 | TI | GNG | GPA | AF Amplifier | 221 | TI | GNG | GPA | IF Amplifier | GT | 222 | GTC | GPA | General Use | 222 | TI | GNG | GPA | IF Amplifier | 223 | TI | GNG | GPA | Converter | 224 | TI | GNG | GPA | Detector | 225 | TI | GNG | GPA | IF Amplifier | 227 | TI | GNG | GPA | IF Amplifier | 228 | TI | GNG | GPA | Detector | GT | 229 | GTC | GNA | AF Amplifier | 234 | TI | CNA | IF Amplifier | IF Amplifier | 235 | TI | GNA | GPA | Converter | GT | 269 | GTC | GPA | RF Amplifier | 301 | TI | GPA | AF Amplifier | AF Amplifier | 302 | TI | GPA | AF Amplifier | AF Amplifier | 310 | TI | GPA | AF Amplifier | AF Amplifier | 310 | TI | GPA | AF Amplifier | AF Amplifier | | | | | | | | | | | | | | | | | | | | | | | | | | | | | | | | | | | | | | | | | | | | | | | | | | | | | | | | | | | | | | | | | | | | | | | | | | | | | | | | | | | | | | | | | | | | | | | | | | | | | | | | | | | | | | | | | | | | | | | | | | | | | | | | | | | | | | | | | | | | | | | | | | | | | | | | | | | | | | | | | | | | | | | | | | | | | | | | | | | | | | | | | | | | | | | | | | | | | | | | | | | | | | | | | | | | | | | | | | | | | | | | | | | | | | | | | | | | | | | | | | | | | | | | | | | | | | | | | | | | | | | | | | | | | | | | | | | | | | | | | | | | | | | | | | | | | | | | | | | | | | | | | | | | | | | | | | | | | | | | | | | | | | | | | | | | | | | | | | | | | | | | | | | | | | | | | | | | | | | | | | | | | | | | | | | | | | | | | | | | | | | | | | | | | | | | | | | | | | | | |
| 8E | SPR | GPA | AF Amplifier | AF Amplifier | 8F | SPR | GPA | AF Amplifier | AF Amplifier | 10A | CTP | SD | Photo Use | Photo Use | 10A | SPR | GPA | AF Amplifier | AF Amplifier | 10B | CTP | SD | Photo Use | Photo Use | 10B | SPR | GPA | AF Amplifier | AF Amplifier | 10C | SPR | GPA | AF Amplifier | AF Amplifier | 11A | CTP | SO | Photo Use | Photo Use | 11B | CTP | SD | Photo Use | Photo Use | ZJ | 12 | GE | SNG | AF Amplifier | CK | 13 | RK | GPA | RF Amplifier | ZJ | 13 | GE | GNG | AF Amplifier | MN | 13A | MOT | GPA | AF Amplifier | MN | 13B | MOT | GPA | AF Amplifier | MN | 13C | MOT | GPA | AF Amplifier | ZJ | 13 | GE | GNG | AF Amplifier | CK | 14 | RK | GPA | RF Amplifier | GT | 14 | GTC | GPA | AF Amplifier | RR | 14 | RR | GPA | AF Amplifier | ZJ | 14 | GE | SD | Switching | ZJ | 14H | GTC | GPA | AF Amplifier | OC | 16 | AMP | GPA | AF Power Amp | ZJ | 16 | CK | RR | AF Power Amp | CK | 17 | RR | RR | AF Power Amp | MN | 19 | MOT | GPA | AF Amplifier | GT | 20 | GTC | GPA | AF Amplifier | RR | 20 | RR | GPA | AF Amplifier | GT | 20H | GTC | GPA | AF Amplifier | MN | 21 | MOT | GPA | AF Power Amp | RR | 21 | RR | GPA | AF Amplifier | GT | 24 | GTC | GPA | AF Amplifier | MN | 24 | MOT | GPA | AF Power Amp | MN | 25 | MOT | GPA | AF Power Amp | CK | 26 | RK | MOT | Switching | MN | 26 | MOT | GPA | AF Power Amp | MN | 28 | MOT | GPA | AF Power Amp | MN | 29 | MOT | GPA | AF Power Amp | GT | 34 | GTC | GPA | AF Amplifier | RR | 34 | RR | GPA | AF Amplifier | T | 34A | NU | GPA | AF Amplifier | T | 34B | NU | GPA | AF Amplifier | T | 34C | NU | GPA | AF Amplifier | T | 34D | NU | GPA | AF Amplifier | T | 34E | NU | GPA | AF Amplifier | T | 34F | NU | GPA | AF Amplifier | GT | 34HV | GTC | GPA | Switching | GT | 34S | GTC | GPA | Detector | GT | 38 | GTC | GPA | AF Amplifier | RR | 38 | RR | GPA | AF Amplifier | OC | 44 | AMP | GPA | RF Amplifier | OC | 45 | AMP | GPA | RF Amplifier | OC | 50 | AMP | GC | Oscillator | OC | 51 | AMP | GC | Switching | OC | 65 | AMP | GC | AF Amplifier | CT | 66 | GTC | GPA | Photo Use | OC | 66 | AMP | GPA | AF Amplifier | RR | 66 | RR | SD | AF Amplifier | OC | 70 | AMP | GPA | AF Amplifier | OC | 71 | AMP | GPA | RF Amplifier | OC | 72 | AMP | GMA | AF Amplifier | ZJ | 72 | GE | GNG | VHF Amplifier | OC | 73 | AMP | GPA | AF Amplifier | ZJ | 73 | GE | GNG | AF Amplifier | GT | 74 | GTC | GPA | AF Amplifier | GT | 75 | GTC | GPA | AF Amplifier | OC | 76 | AMP | GPA | Switching | GT | 81 | GTC | GPA | AF Amplifier | GT | 81H | GTC | GPA | AF Amplifier | GT | 81HS | GTC | GPA | AF Amplifier | GT | 82 | GTC | GPA | Switching | GT | 83 | GTC | GPA | Switching | GT | 87 | GTC | GPA | Switching | GT | 88 | GTC | GPA | Switching | DR | 100 | TS | GPA | AF Amplifier | DR | 101 | TS | GPA | AF Amplifier | DR | 102 | TS | GPA | AF Amplifier | GT | 109 | GTC | GPA | AF Amplifier | GT | 122 | GTC | GPA | Switching | GT | 123 | GTC | GPA | Switching | RR | 125 | RR | GPA | AF Amplifier | DR | 126 | TS | GPA | AF Amplifier | DR | 128 | TS | GPA | AF Amplifier | DR | 129 | TS | GPA | General Use | DR | 130 | TS | GPA | General Use | DR | 131 | TS | GPA | General Use | DR | 132 | TS | GPA | General Use | DR | 139 | TS | GPA | General Use | DR | 147 | TS | GPA | AF Power Amp | GT | 153 | GT | GPA | Switching | DR | 154 | TS | GPA | General Use | DR | 155 | TS | GPA | General Use | TS | 161 | TS | GMA | AF Amplifier | TS | 162 | TS | GMA | General Use | TS | 163 | TS | GPA | AF Amplifier | TS | 164 | TS | GPA | AF Amplifier | TS | 165 | TS | GPA | AF Amplifier | TS | 166 | TS | GPA | AF Amplifier | GT | 167 | GTC | GPA | Switching | TS | 176 | TS | GPA | AF Power Amp | 200 | TI | GNG | GPA | General Use | 201 | TI | GNG | GPA | General Use | 202 | TI | GNG | GPA | General Use | 206 | TI | GNG | GPA | AF Amplifier | 207 | TI | GNG | GPA | AF Amplifier | 208 | TI | GNG | GPA | AF Amplifier | GT | 210 | GTC | GPA | Switching | 210 | TI | GNG | GPA | AF Amplifier | 220 | TI | GNG | GPA | AF Amplifier | 221 | TI | GNG | GPA | IF Amplifier | GT | 222 | GTC | GPA | General Use | 222 | TI | GNG | GPA | IF Amplifier | 223 | TI | GNG | GPA | Converter | 224 | TI | GNG | GPA | Detector | 225 | TI | GNG | GPA | IF Amplifier | 227 | TI | GNG | GPA | IF Amplifier | 228 | TI | GNG | GPA | Detector | GT | 229 | GTC | GNA | AF Amplifier | 234 | TI | CNA | IF Amplifier | IF Amplifier | 235 | TI | GNA | GPA | Converter | GT | 269 | GTC | GPA | RF Amplifier | 301 | TI | GPA | AF Amplifier | AF Amplifier | 302 | TI | GPA | AF Amplifier | AF Amplifier | 310 | TI | GPA | AF Amplifier | AF Amplifier | 310 | TI | GPA | AF Amplifier | AF Amplifier | | | | | | | | | | | | | | | | | | | | | | | | | | | | | | | | | | | | | | | | | | | | | | | | | | | | | | | | | | | | | | | | | | | | | | | | | | | | | | | | | | | | | | | | | | | | | | | | | | | | | | | | | | | | | | | | | | | | | | | | | | | | | | | | | | | | | | | | | | | | | | | | | | | | | | | | | | | | | | | | | | | | | | | | | | | | | | | | | | | | | | | | | | | | | | | | | | | | | | | | | | | | | | | | | | | | | | | | | | | | | | | | | | | | | | | | | | | | | | | | | | | | | | | | | | | | | | | | | | | | | | | | | | | | | | | | | | | | | | | | | | | | | | | | | | | | | | | | | | | | | | | | | | | | | | | | | | | | | | | | | | | | | | | | | | | | | | | | | | | | | | | | | | | | | | | | | | | | | | | | | | | | | | | | | | | | | | | | | | | | | | | | | | | | | | | | | | | | | | | | | | | | | |
| 8F | SPR | GPA | AF Amplifier | AF Amplifier | 10A | CTP | SD | Photo Use | Photo Use | 10A | SPR | GPA | AF Amplifier | AF Amplifier | 10B | CTP | SD | Photo Use | Photo Use | 10B | SPR | GPA | AF Amplifier | AF Amplifier | 10C | SPR | GPA | AF Amplifier | AF Amplifier | 11A | CTP | SO | Photo Use | Photo Use | 11B | CTP | SD | Photo Use | Photo Use | ZJ | 12 | GE | SNG | AF Amplifier | CK | 13 | RK | GPA | RF Amplifier | ZJ | 13 | GE | GNG | AF Amplifier | MN | 13A | MOT | GPA | AF Amplifier | MN | 13B | MOT | GPA | AF Amplifier | MN | 13C | MOT | GPA | AF Amplifier | ZJ | 13 | GE | GNG | AF Amplifier | CK | 14 | RK | GPA | RF Amplifier | GT | 14 | GTC | GPA | AF Amplifier | RR | 14 | RR | GPA | AF Amplifier | ZJ | 14 | GE | SD | Switching | ZJ | 14H | GTC | GPA | AF Amplifier | OC | 16 | AMP | GPA | AF Power Amp | ZJ | 16 | CK | RR | AF Power Amp | CK | 17 | RR | RR | AF Power Amp | MN | 19 | MOT | GPA | AF Amplifier | GT | 20 | GTC | GPA | AF Amplifier | RR | 20 | RR | GPA | AF Amplifier | GT | 20H | GTC | GPA | AF Amplifier | MN | 21 | MOT | GPA | AF Power Amp | RR | 21 | RR | GPA | AF Amplifier | GT | 24 | GTC | GPA | AF Amplifier | MN | 24 | MOT | GPA | AF Power Amp | MN | 25 | MOT | GPA | AF Power Amp | CK | 26 | RK | MOT | Switching | MN | 26 | MOT | GPA | AF Power Amp | MN | 28 | MOT | GPA | AF Power Amp | MN | 29 | MOT | GPA | AF Power Amp | GT | 34 | GTC | GPA | AF Amplifier | RR | 34 | RR | GPA | AF Amplifier | T | 34A | NU | GPA | AF Amplifier | T | 34B | NU | GPA | AF Amplifier | T | 34C | NU | GPA | AF Amplifier | T | 34D | NU | GPA | AF Amplifier | T | 34E | NU | GPA | AF Amplifier | T | 34F | NU | GPA | AF Amplifier | GT | 34HV | GTC | GPA | Switching | GT | 34S | GTC | GPA | Detector | GT | 38 | GTC | GPA | AF Amplifier | RR | 38 | RR | GPA | AF Amplifier | OC | 44 | AMP | GPA | RF Amplifier | OC | 45 | AMP | GPA | RF Amplifier | OC | 50 | AMP | GC | Oscillator | OC | 51 | AMP | GC | Switching | OC | 65 | AMP | GC | AF Amplifier | CT | 66 | GTC | GPA | Photo Use | OC | 66 | AMP | GPA | AF Amplifier | RR | 66 | RR | SD | AF Amplifier | OC | 70 | AMP | GPA | AF Amplifier | OC | 71 | AMP | GPA | RF Amplifier | OC | 72 | AMP | GMA | AF Amplifier | ZJ | 72 | GE | GNG | VHF Amplifier | OC | 73 | AMP | GPA | AF Amplifier | ZJ | 73 | GE | GNG | AF Amplifier | GT | 74 | GTC | GPA | AF Amplifier | GT | 75 | GTC | GPA | AF Amplifier | OC | 76 | AMP | GPA | Switching | GT | 81 | GTC | GPA | AF Amplifier | GT | 81H | GTC | GPA | AF Amplifier | GT | 81HS | GTC | GPA | AF Amplifier | GT | 82 | GTC | GPA | Switching | GT | 83 | GTC | GPA | Switching | GT | 87 | GTC | GPA | Switching | GT | 88 | GTC | GPA | Switching | DR | 100 | TS | GPA | AF Amplifier | DR | 101 | TS | GPA | AF Amplifier | DR | 102 | TS | GPA | AF Amplifier | GT | 109 | GTC | GPA | AF Amplifier | GT | 122 | GTC | GPA | Switching | GT | 123 | GTC | GPA | Switching | RR | 125 | RR | GPA | AF Amplifier | DR | 126 | TS | GPA | AF Amplifier | DR | 128 | TS | GPA | AF Amplifier | DR | 129 | TS | GPA | General Use | DR | 130 | TS | GPA | General Use | DR | 131 | TS | GPA | General Use | DR | 132 | TS | GPA | General Use | DR | 139 | TS | GPA | General Use | DR | 147 | TS | GPA | AF Power Amp | GT | 153 | GT | GPA | Switching | DR | 154 | TS | GPA | General Use | DR | 155 | TS | GPA | General Use | TS | 161 | TS | GMA | AF Amplifier | TS | 162 | TS | GMA | General Use | TS | 163 | TS | GPA | AF Amplifier | TS | 164 | TS | GPA | AF Amplifier | TS | 165 | TS | GPA | AF Amplifier | TS | 166 | TS | GPA | AF Amplifier | GT | 167 | GTC | GPA | Switching | TS | 176 | TS | GPA | AF Power Amp | 200 | TI | GNG | GPA | General Use | 201 | TI | GNG | GPA | General Use | 202 | TI | GNG | GPA | General Use | 206 | TI | GNG | GPA | AF Amplifier | 207 | TI | GNG | GPA | AF Amplifier | 208 | TI | GNG | GPA | AF Amplifier | GT | 210 | GTC | GPA | Switching | 210 | TI | GNG | GPA | AF Amplifier | 220 | TI | GNG | GPA | AF Amplifier | 221 | TI | GNG | GPA | IF Amplifier | GT | 222 | GTC | GPA | General Use | 222 | TI | GNG | GPA | IF Amplifier | 223 | TI | GNG | GPA | Converter | 224 | TI | GNG | GPA | Detector | 225 | TI | GNG | GPA | IF Amplifier | 227 | TI | GNG | GPA | IF Amplifier | 228 | TI | GNG | GPA | Detector | GT | 229 | GTC | GNA | AF Amplifier | 234 | TI | CNA | IF Amplifier | IF Amplifier | 235 | TI | GNA | GPA | Converter | GT | 269 | GTC | GPA | RF Amplifier | 301 | TI | GPA | AF Amplifier | AF Amplifier | 302 | TI | GPA | AF Amplifier | AF Amplifier | 310 | TI | GPA | AF Amplifier | AF Amplifier | 310 | TI | GPA | AF Amplifier | AF Amplifier | | | | | | | | | | | | | | | | | | | | | | | | | | | | | | | | | | | | | | | | | | | | | | | | | | | | | | | | | | | | | | | | | | | | | | | | | | | | | | | | | | | | | | | | | | | | | | | | | | | | | | | | | | | | | | | | | | | | | | | | | | | | | | | | | | | | | | | | | | | | | | | | | | | | | | | | | | | | | | | | | | | | | | | | | | | | | | | | | | | | | | | | | | | | | | | | | | | | | | | | | | | | | | | | | | | | | | | | | | | | | | | | | | | | | | | | | | | | | | | | | | | | | | | | | | | | | | | | | | | | | | | | | | | | | | | | | | | | | | | | | | | | | | | | | | | | | | | | | | | | | | | | | | | | | | | | | | | | | | | | | | | | | | | | | | | | | | | | | | | | | | | | | | | | | | | | | | | | | | | | | | | | | | | | | | | | | | | | | | | | | | | | | | | | | | | | | | | | | | | | | | | | | | | | | | |
| 10A | CTP | SD | Photo Use | Photo Use | 10A | SPR | GPA | AF Amplifier | AF Amplifier | 10B | CTP | SD | Photo Use | Photo Use | 10B | SPR | GPA | AF Amplifier | AF Amplifier | 10C | SPR | GPA | AF Amplifier | AF Amplifier | 11A | CTP | SO | Photo Use | Photo Use | 11B | CTP | SD | Photo Use | Photo Use | ZJ | 12 | GE | SNG | AF Amplifier | CK | 13 | RK | GPA | RF Amplifier | ZJ | 13 | GE | GNG | AF Amplifier | MN | 13A | MOT | GPA | AF Amplifier | MN | 13B | MOT | GPA | AF Amplifier | MN | 13C | MOT | GPA | AF Amplifier | ZJ | 13 | GE | GNG | AF Amplifier | CK | 14 | RK | GPA | RF Amplifier | GT | 14 | GTC | GPA | AF Amplifier | RR | 14 | RR | GPA | AF Amplifier | ZJ | 14 | GE | SD | Switching | ZJ | 14H | GTC | GPA | AF Amplifier | OC | 16 | AMP | GPA | AF Power Amp | ZJ | 16 | CK | RR | AF Power Amp | CK | 17 | RR | RR | AF Power Amp | MN | 19 | MOT | GPA | AF Amplifier | GT | 20 | GTC | GPA | AF Amplifier | RR | 20 | RR | GPA | AF Amplifier | GT | 20H | GTC | GPA | AF Amplifier | MN | 21 | MOT | GPA | AF Power Amp | RR | 21 | RR | GPA | AF Amplifier | GT | 24 | GTC | GPA | AF Amplifier | MN | 24 | MOT | GPA | AF Power Amp | MN | 25 | MOT | GPA | AF Power Amp | CK | 26 | RK | MOT | Switching | MN | 26 | MOT | GPA | AF Power Amp | MN | 28 | MOT | GPA | AF Power Amp | MN | 29 | MOT | GPA | AF Power Amp | GT | 34 | GTC | GPA | AF Amplifier | RR | 34 | RR | GPA | AF Amplifier | T | 34A | NU | GPA | AF Amplifier | T | 34B | NU | GPA | AF Amplifier | T | 34C | NU | GPA | AF Amplifier | T | 34D | NU | GPA | AF Amplifier | T | 34E | NU | GPA | AF Amplifier | T | 34F | NU | GPA | AF Amplifier | GT | 34HV | GTC | GPA | Switching | GT | 34S | GTC | GPA | Detector | GT | 38 | GTC | GPA | AF Amplifier | RR | 38 | RR | GPA | AF Amplifier | OC | 44 | AMP | GPA | RF Amplifier | OC | 45 | AMP | GPA | RF Amplifier | OC | 50 | AMP | GC | Oscillator | OC | 51 | AMP | GC | Switching | OC | 65 | AMP | GC | AF Amplifier | CT | 66 | GTC | GPA | Photo Use | OC | 66 | AMP | GPA | AF Amplifier | RR | 66 | RR | SD | AF Amplifier | OC | 70 | AMP | GPA | AF Amplifier | OC | 71 | AMP | GPA | RF Amplifier | OC | 72 | AMP | GMA | AF Amplifier | ZJ | 72 | GE | GNG | VHF Amplifier | OC | 73 | AMP | GPA | AF Amplifier | ZJ | 73 | GE | GNG | AF Amplifier | GT | 74 | GTC | GPA | AF Amplifier | GT | 75 | GTC | GPA | AF Amplifier | OC | 76 | AMP | GPA | Switching | GT | 81 | GTC | GPA | AF Amplifier | GT | 81H | GTC | GPA | AF Amplifier | GT | 81HS | GTC | GPA | AF Amplifier | GT | 82 | GTC | GPA | Switching | GT | 83 | GTC | GPA | Switching | GT | 87 | GTC | GPA | Switching | GT | 88 | GTC | GPA | Switching | DR | 100 | TS | GPA | AF Amplifier | DR | 101 | TS | GPA | AF Amplifier | DR | 102 | TS | GPA | AF Amplifier | GT | 109 | GTC | GPA | AF Amplifier | GT | 122 | GTC | GPA | Switching | GT | 123 | GTC | GPA | Switching | RR | 125 | RR | GPA | AF Amplifier | DR | 126 | TS | GPA | AF Amplifier | DR | 128 | TS | GPA | AF Amplifier | DR | 129 | TS | GPA | General Use | DR | 130 | TS | GPA | General Use | DR | 131 | TS | GPA | General Use | DR | 132 | TS | GPA | General Use | DR | 139 | TS | GPA | General Use | DR | 147 | TS | GPA | AF Power Amp | GT | 153 | GT | GPA | Switching | DR | 154 | TS | GPA | General Use | DR | 155 | TS | GPA | General Use | TS | 161 | TS | GMA | AF Amplifier | TS | 162 | TS | GMA | General Use | TS | 163 | TS | GPA | AF Amplifier | TS | 164 | TS | GPA | AF Amplifier | TS | 165 | TS | GPA | AF Amplifier | TS | 166 | TS | GPA | AF Amplifier | GT | 167 | GTC | GPA | Switching | TS | 176 | TS | GPA | AF Power Amp | 200 | TI | GNG | GPA | General Use | 201 | TI | GNG | GPA | General Use | 202 | TI | GNG | GPA | General Use | 206 | TI | GNG | GPA | AF Amplifier | 207 | TI | GNG | GPA | AF Amplifier | 208 | TI | GNG | GPA | AF Amplifier | GT | 210 | GTC | GPA | Switching | 210 | TI | GNG | GPA | AF Amplifier | 220 | TI | GNG | GPA | AF Amplifier | 221 | TI | GNG | GPA | IF Amplifier | GT | 222 | GTC | GPA | General Use | 222 | TI | GNG | GPA | IF Amplifier | 223 | TI | GNG | GPA | Converter | 224 | TI | GNG | GPA | Detector | 225 | TI | GNG | GPA | IF Amplifier | 227 | TI | GNG | GPA | IF Amplifier | 228 | TI | GNG | GPA | Detector | GT | 229 | GTC | GNA | AF Amplifier | 234 | TI | CNA | IF Amplifier | IF Amplifier | 235 | TI | GNA | GPA | Converter | GT | 269 | GTC | GPA | RF Amplifier | 301 | TI | GPA | AF Amplifier | AF Amplifier | 302 | TI | GPA | AF Amplifier | AF Amplifier | 310 | TI | GPA | AF Amplifier | AF Amplifier | 310 | TI | GPA | AF Amplifier | AF Amplifier | | | | | | | | | | | | | | | | | | | | | | | | | | | | | | | | | | | | | | | | | | | | | | | | | | | | | | | | | | | | | | | | | | | | | | | | | | | | | | | | | | | | | | | | | | | | | | | | | | | | | | | | | | | | | | | | | | | | | | | | | | | | | | | | | | | | | | | | | | | | | | | | | | | | | | | | | | | | | | | | | | | | | | | | | | | | | | | | | | | | | | | | | | | | | | | | | | | | | | | | | | | | | | | | | | | | | | | | | | | | | | | | | | | | | | | | | | | | | | | | | | | | | | | | | | | | | | | | | | | | | | | | | | | | | | | | | | | | | | | | | | | | | | | | | | | | | | | | | | | | | | | | | | | | | | | | | | | | | | | | | | | | | | | | | | | | | | | | | | | | | | | | | | | | | | | | | | | | | | | | | | | | | | | | | | | | | | | | | | | | | | | | | | | | | | | | | | | | | | | | | | | | | | | | | | | | | | | |
| 10A | SPR | GPA | AF Amplifier | AF Amplifier | 10B | CTP | SD | Photo Use | Photo Use | 10B | SPR | GPA | AF Amplifier | AF Amplifier | 10C | SPR | GPA | AF Amplifier | AF Amplifier | 11A | CTP | SO | Photo Use | Photo Use | 11B | CTP | SD | Photo Use | Photo Use | ZJ | 12 | GE | SNG | AF Amplifier | CK | 13 | RK | GPA | RF Amplifier | ZJ | 13 | GE | GNG | AF Amplifier | MN | 13A | MOT | GPA | AF Amplifier | MN | 13B | MOT | GPA | AF Amplifier | MN | 13C | MOT | GPA | AF Amplifier | ZJ | 13 | GE | GNG | AF Amplifier | CK | 14 | RK | GPA | RF Amplifier | GT | 14 | GTC | GPA | AF Amplifier | RR | 14 | RR | GPA | AF Amplifier | ZJ | 14 | GE | SD | Switching | ZJ | 14H | GTC | GPA | AF Amplifier | OC | 16 | AMP | GPA | AF Power Amp | ZJ | 16 | CK | RR | AF Power Amp | CK | 17 | RR | RR | AF Power Amp | MN | 19 | MOT | GPA | AF Amplifier | GT | 20 | GTC | GPA | AF Amplifier | RR | 20 | RR | GPA | AF Amplifier | GT | 20H | GTC | GPA | AF Amplifier | MN | 21 | MOT | GPA | AF Power Amp | RR | 21 | RR | GPA | AF Amplifier | GT | 24 | GTC | GPA | AF Amplifier | MN | 24 | MOT | GPA | AF Power Amp | MN | 25 | MOT | GPA | AF Power Amp | CK | 26 | RK | MOT | Switching | MN | 26 | MOT | GPA | AF Power Amp | MN | 28 | MOT | GPA | AF Power Amp | MN | 29 | MOT | GPA | AF Power Amp | GT | 34 | GTC | GPA | AF Amplifier | RR | 34 | RR | GPA | AF Amplifier | T | 34A | NU | GPA | AF Amplifier | T | 34B | NU | GPA | AF Amplifier | T | 34C | NU | GPA | AF Amplifier | T | 34D | NU | GPA | AF Amplifier | T | 34E | NU | GPA | AF Amplifier | T | 34F | NU | GPA | AF Amplifier | GT | 34HV | GTC | GPA | Switching | GT | 34S | GTC | GPA | Detector | GT | 38 | GTC | GPA | AF Amplifier | RR | 38 | RR | GPA | AF Amplifier | OC | 44 | AMP | GPA | RF Amplifier | OC | 45 | AMP | GPA | RF Amplifier | OC | 50 | AMP | GC | Oscillator | OC | 51 | AMP | GC | Switching | OC | 65 | AMP | GC | AF Amplifier | CT | 66 | GTC | GPA | Photo Use | OC | 66 | AMP | GPA | AF Amplifier | RR | 66 | RR | SD | AF Amplifier | OC | 70 | AMP | GPA | AF Amplifier | OC | 71 | AMP | GPA | RF Amplifier | OC | 72 | AMP | GMA | AF Amplifier | ZJ | 72 | GE | GNG | VHF Amplifier | OC | 73 | AMP | GPA | AF Amplifier | ZJ | 73 | GE | GNG | AF Amplifier | GT | 74 | GTC | GPA | AF Amplifier | GT | 75 | GTC | GPA | AF Amplifier | OC | 76 | AMP | GPA | Switching | GT | 81 | GTC | GPA | AF Amplifier | GT | 81H | GTC | GPA | AF Amplifier | GT | 81HS | GTC | GPA | AF Amplifier | GT | 82 | GTC | GPA | Switching | GT | 83 | GTC | GPA | Switching | GT | 87 | GTC | GPA | Switching | GT | 88 | GTC | GPA | Switching | DR | 100 | TS | GPA | AF Amplifier | DR | 101 | TS | GPA | AF Amplifier | DR | 102 | TS | GPA | AF Amplifier | GT | 109 | GTC | GPA | AF Amplifier | GT | 122 | GTC | GPA | Switching | GT | 123 | GTC | GPA | Switching | RR | 125 | RR | GPA | AF Amplifier | DR | 126 | TS | GPA | AF Amplifier | DR | 128 | TS | GPA | AF Amplifier | DR | 129 | TS | GPA | General Use | DR | 130 | TS | GPA | General Use | DR | 131 | TS | GPA | General Use | DR | 132 | TS | GPA | General Use | DR | 139 | TS | GPA | General Use | DR | 147 | TS | GPA | AF Power Amp | GT | 153 | GT | GPA | Switching | DR | 154 | TS | GPA | General Use | DR | 155 | TS | GPA | General Use | TS | 161 | TS | GMA | AF Amplifier | TS | 162 | TS | GMA | General Use | TS | 163 | TS | GPA | AF Amplifier | TS | 164 | TS | GPA | AF Amplifier | TS | 165 | TS | GPA | AF Amplifier | TS | 166 | TS | GPA | AF Amplifier | GT | 167 | GTC | GPA | Switching | TS | 176 | TS | GPA | AF Power Amp | 200 | TI | GNG | GPA | General Use | 201 | TI | GNG | GPA | General Use | 202 | TI | GNG | GPA | General Use | 206 | TI | GNG | GPA | AF Amplifier | 207 | TI | GNG | GPA | AF Amplifier | 208 | TI | GNG | GPA | AF Amplifier | GT | 210 | GTC | GPA | Switching | 210 | TI | GNG | GPA | AF Amplifier | 220 | TI | GNG | GPA | AF Amplifier | 221 | TI | GNG | GPA | IF Amplifier | GT | 222 | GTC | GPA | General Use | 222 | TI | GNG | GPA | IF Amplifier | 223 | TI | GNG | GPA | Converter | 224 | TI | GNG | GPA | Detector | 225 | TI | GNG | GPA | IF Amplifier | 227 | TI | GNG | GPA | IF Amplifier | 228 | TI | GNG | GPA | Detector | GT | 229 | GTC | GNA | AF Amplifier | 234 | TI | CNA | IF Amplifier | IF Amplifier | 235 | TI | GNA | GPA | Converter | GT | 269 | GTC | GPA | RF Amplifier | 301 | TI | GPA | AF Amplifier | AF Amplifier | 302 | TI | GPA | AF Amplifier | AF Amplifier | 310 | TI | GPA | AF Amplifier | AF Amplifier | 310 | TI | GPA | AF Amplifier | AF Amplifier | | | | | | | | | | | | | | | | | | | | | | | | | | | | | | | | | | | | | | | | | | | | | | | | | | | | | | | | | | | | | | | | | | | | | | | | | | | | | | | | | | | | | | | | | | | | | | | | | | | | | | | | | | | | | | | | | | | | | | | | | | | | | | | | | | | | | | | | | | | | | | | | | | | | | | | | | | | | | | | | | | | | | | | | | | | | | | | | | | | | | | | | | | | | | | | | | | | | | | | | | | | | | | | | | | | | | | | | | | | | | | | | | | | | | | | | | | | | | | | | | | | | | | | | | | | | | | | | | | | | | | | | | | | | | | | | | | | | | | | | | | | | | | | | | | | | | | | | | | | | | | | | | | | | | | | | | | | | | | | | | | | | | | | | | | | | | | | | | | | | | | | | | | | | | | | | | | | | | | | | | | | | | | | | | | | | | | | | | | | | | | | | | | | | | | | | | | | | | | | | | | | | | | | | | | | | | | | | | | | | |
| 10B | CTP | SD | Photo Use | Photo Use | 10B | SPR | GPA | AF Amplifier | AF Amplifier | 10C | SPR | GPA | AF Amplifier | AF Amplifier | 11A | CTP | SO | Photo Use | Photo Use | 11B | CTP | SD | Photo Use | Photo Use | ZJ | 12 | GE | SNG | AF Amplifier | CK | 13 | RK | GPA | RF Amplifier | ZJ | 13 | GE | GNG | AF Amplifier | MN | 13A | MOT | GPA | AF Amplifier | MN | 13B | MOT | GPA | AF Amplifier | MN | 13C | MOT | GPA | AF Amplifier | ZJ | 13 | GE | GNG | AF Amplifier | CK | 14 | RK | GPA | RF Amplifier | GT | 14 | GTC | GPA | AF Amplifier | RR | 14 | RR | GPA | AF Amplifier | ZJ | 14 | GE | SD | Switching | ZJ | 14H | GTC | GPA | AF Amplifier | OC | 16 | AMP | GPA | AF Power Amp | ZJ | 16 | CK | RR | AF Power Amp | CK | 17 | RR | RR | AF Power Amp | MN | 19 | MOT | GPA | AF Amplifier | GT | 20 | GTC | GPA | AF Amplifier | RR | 20 | RR | GPA | AF Amplifier | GT | 20H | GTC | GPA | AF Amplifier | MN | 21 | MOT | GPA | AF Power Amp | RR | 21 | RR | GPA | AF Amplifier | GT | 24 | GTC | GPA | AF Amplifier | MN | 24 | MOT | GPA | AF Power Amp | MN | 25 | MOT | GPA | AF Power Amp | CK | 26 | RK | MOT | Switching | MN | 26 | MOT | GPA | AF Power Amp | MN | 28 | MOT | GPA | AF Power Amp | MN | 29 | MOT | GPA | AF Power Amp | GT | 34 | GTC | GPA | AF Amplifier | RR | 34 | RR | GPA | AF Amplifier | T | 34A | NU | GPA | AF Amplifier | T | 34B | NU | GPA | AF Amplifier | T | 34C | NU | GPA | AF Amplifier | T | 34D | NU | GPA | AF Amplifier | T | 34E | NU | GPA | AF Amplifier | T | 34F | NU | GPA | AF Amplifier | GT | 34HV | GTC | GPA | Switching | GT | 34S | GTC | GPA | Detector | GT | 38 | GTC | GPA | AF Amplifier | RR | 38 | RR | GPA | AF Amplifier | OC | 44 | AMP | GPA | RF Amplifier | OC | 45 | AMP | GPA | RF Amplifier | OC | 50 | AMP | GC | Oscillator | OC | 51 | AMP | GC | Switching | OC | 65 | AMP | GC | AF Amplifier | CT | 66 | GTC | GPA | Photo Use | OC | 66 | AMP | GPA | AF Amplifier | RR | 66 | RR | SD | AF Amplifier | OC | 70 | AMP | GPA | AF Amplifier | OC | 71 | AMP | GPA | RF Amplifier | OC | 72 | AMP | GMA | AF Amplifier | ZJ | 72 | GE | GNG | VHF Amplifier | OC | 73 | AMP | GPA | AF Amplifier | ZJ | 73 | GE | GNG | AF Amplifier | GT | 74 | GTC | GPA | AF Amplifier | GT | 75 | GTC | GPA | AF Amplifier | OC | 76 | AMP | GPA | Switching | GT | 81 | GTC | GPA | AF Amplifier | GT | 81H | GTC | GPA | AF Amplifier | GT | 81HS | GTC | GPA | AF Amplifier | GT | 82 | GTC | GPA | Switching | GT | 83 | GTC | GPA | Switching | GT | 87 | GTC | GPA | Switching | GT | 88 | GTC | GPA | Switching | DR | 100 | TS | GPA | AF Amplifier | DR | 101 | TS | GPA | AF Amplifier | DR | 102 | TS | GPA | AF Amplifier | GT | 109 | GTC | GPA | AF Amplifier | GT | 122 | GTC | GPA | Switching | GT | 123 | GTC | GPA | Switching | RR | 125 | RR | GPA | AF Amplifier | DR | 126 | TS | GPA | AF Amplifier | DR | 128 | TS | GPA | AF Amplifier | DR | 129 | TS | GPA | General Use | DR | 130 | TS | GPA | General Use | DR | 131 | TS | GPA | General Use | DR | 132 | TS | GPA | General Use | DR | 139 | TS | GPA | General Use | DR | 147 | TS | GPA | AF Power Amp | GT | 153 | GT | GPA | Switching | DR | 154 | TS | GPA | General Use | DR | 155 | TS | GPA | General Use | TS | 161 | TS | GMA | AF Amplifier | TS | 162 | TS | GMA | General Use | TS | 163 | TS | GPA | AF Amplifier | TS | 164 | TS | GPA | AF Amplifier | TS | 165 | TS | GPA | AF Amplifier | TS | 166 | TS | GPA | AF Amplifier | GT | 167 | GTC | GPA | Switching | TS | 176 | TS | GPA | AF Power Amp | 200 | TI | GNG | GPA | General Use | 201 | TI | GNG | GPA | General Use | 202 | TI | GNG | GPA | General Use | 206 | TI | GNG | GPA | AF Amplifier | 207 | TI | GNG | GPA | AF Amplifier | 208 | TI | GNG | GPA | AF Amplifier | GT | 210 | GTC | GPA | Switching | 210 | TI | GNG | GPA | AF Amplifier | 220 | TI | GNG | GPA | AF Amplifier | 221 | TI | GNG | GPA | IF Amplifier | GT | 222 | GTC | GPA | General Use | 222 | TI | GNG | GPA | IF Amplifier | 223 | TI | GNG | GPA | Converter | 224 | TI | GNG | GPA | Detector | 225 | TI | GNG | GPA | IF Amplifier | 227 | TI | GNG | GPA | IF Amplifier | 228 | TI | GNG | GPA | Detector | GT | 229 | GTC | GNA | AF Amplifier | 234 | TI | CNA | IF Amplifier | IF Amplifier | 235 | TI | GNA | GPA | Converter | GT | 269 | GTC | GPA | RF Amplifier | 301 | TI | GPA | AF Amplifier | AF Amplifier | 302 | TI | GPA | AF Amplifier | AF Amplifier | 310 | TI | GPA | AF Amplifier | AF Amplifier | 310 | TI | GPA | AF Amplifier | AF Amplifier | | | | | | | | | | | | | | | | | | | | | | | | | | | | | | | | | | | | | | | | | | | | | | | | | | | | | | | | | | | | | | | | | | | | | | | | | | | | | | | | | | | | | | | | | | | | | | | | | | | | | | | | | | | | | | | | | | | | | | | | | | | | | | | | | | | | | | | | | | | | | | | | | | | | | | | | | | | | | | | | | | | | | | | | | | | | | | | | | | | | | | | | | | | | | | | | | | | | | | | | | | | | | | | | | | | | | | | | | | | | | | | | | | | | | | | | | | | | | | | | | | | | | | | | | | | | | | | | | | | | | | | | | | | | | | | | | | | | | | | | | | | | | | | | | | | | | | | | | | | | | | | | | | | | | | | | | | | | | | | | | | | | | | | | | | | | | | | | | | | | | | | | | | | | | | | | | | | | | | | | | | | | | | | | | | | | | | | | | | | | | | | | | | | | | | | | | | | | | | | | | | | | | | | | | | | | | | | | | | | | | | | | | |
| 10B | SPR | GPA | AF Amplifier | AF Amplifier | 10C | SPR | GPA | AF Amplifier | AF Amplifier | 11A | CTP | SO | Photo Use | Photo Use | 11B | CTP | SD | Photo Use | Photo Use | ZJ | 12 | GE | SNG | AF Amplifier | CK | 13 | RK | GPA | RF Amplifier | ZJ | 13 | GE | GNG | AF Amplifier | MN | 13A | MOT | GPA | AF Amplifier | MN | 13B | MOT | GPA | AF Amplifier | MN | 13C | MOT | GPA | AF Amplifier | ZJ | 13 | GE | GNG | AF Amplifier | CK | 14 | RK | GPA | RF Amplifier | GT | 14 | GTC | GPA | AF Amplifier | RR | 14 | RR | GPA | AF Amplifier | ZJ | 14 | GE | SD | Switching | ZJ | 14H | GTC | GPA | AF Amplifier | OC | 16 | AMP | GPA | AF Power Amp | ZJ | 16 | CK | RR | AF Power Amp | CK | 17 | RR | RR | AF Power Amp | MN | 19 | MOT | GPA | AF Amplifier | GT | 20 | GTC | GPA | AF Amplifier | RR | 20 | RR | GPA | AF Amplifier | GT | 20H | GTC | GPA | AF Amplifier | MN | 21 | MOT | GPA | AF Power Amp | RR | 21 | RR | GPA | AF Amplifier | GT | 24 | GTC | GPA | AF Amplifier | MN | 24 | MOT | GPA | AF Power Amp | MN | 25 | MOT | GPA | AF Power Amp | CK | 26 | RK | MOT | Switching | MN | 26 | MOT | GPA | AF Power Amp | MN | 28 | MOT | GPA | AF Power Amp | MN | 29 | MOT | GPA | AF Power Amp | GT | 34 | GTC | GPA | AF Amplifier | RR | 34 | RR | GPA | AF Amplifier | T | 34A | NU | GPA | AF Amplifier | T | 34B | NU | GPA | AF Amplifier | T | 34C | NU | GPA | AF Amplifier | T | 34D | NU | GPA | AF Amplifier | T | 34E | NU | GPA | AF Amplifier | T | 34F | NU | GPA | AF Amplifier | GT | 34HV | GTC | GPA | Switching | GT | 34S | GTC | GPA | Detector | GT | 38 | GTC | GPA | AF Amplifier | RR | 38 | RR | GPA | AF Amplifier | OC | 44 | AMP | GPA | RF Amplifier | OC | 45 | AMP | GPA | RF Amplifier | OC | 50 | AMP | GC | Oscillator | OC | 51 | AMP | GC | Switching | OC | 65 | AMP | GC | AF Amplifier | CT | 66 | GTC | GPA | Photo Use | OC | 66 | AMP | GPA | AF Amplifier | RR | 66 | RR | SD | AF Amplifier | OC | 70 | AMP | GPA | AF Amplifier | OC | 71 | AMP | GPA | RF Amplifier | OC | 72 | AMP | GMA | AF Amplifier | ZJ | 72 | GE | GNG | VHF Amplifier | OC | 73 | AMP | GPA | AF Amplifier | ZJ | 73 | GE | GNG | AF Amplifier | GT | 74 | GTC | GPA | AF Amplifier | GT | 75 | GTC | GPA | AF Amplifier | OC | 76 | AMP | GPA | Switching | GT | 81 | GTC | GPA | AF Amplifier | GT | 81H | GTC | GPA | AF Amplifier | GT | 81HS | GTC | GPA | AF Amplifier | GT | 82 | GTC | GPA | Switching | GT | 83 | GTC | GPA | Switching | GT | 87 | GTC | GPA | Switching | GT | 88 | GTC | GPA | Switching | DR | 100 | TS | GPA | AF Amplifier | DR | 101 | TS | GPA | AF Amplifier | DR | 102 | TS | GPA | AF Amplifier | GT | 109 | GTC | GPA | AF Amplifier | GT | 122 | GTC | GPA | Switching | GT | 123 | GTC | GPA | Switching | RR | 125 | RR | GPA | AF Amplifier | DR | 126 | TS | GPA | AF Amplifier | DR | 128 | TS | GPA | AF Amplifier | DR | 129 | TS | GPA | General Use | DR | 130 | TS | GPA | General Use | DR | 131 | TS | GPA | General Use | DR | 132 | TS | GPA | General Use | DR | 139 | TS | GPA | General Use | DR | 147 | TS | GPA | AF Power Amp | GT | 153 | GT | GPA | Switching | DR | 154 | TS | GPA | General Use | DR | 155 | TS | GPA | General Use | TS | 161 | TS | GMA | AF Amplifier | TS | 162 | TS | GMA | General Use | TS | 163 | TS | GPA | AF Amplifier | TS | 164 | TS | GPA | AF Amplifier | TS | 165 | TS | GPA | AF Amplifier | TS | 166 | TS | GPA | AF Amplifier | GT | 167 | GTC | GPA | Switching | TS | 176 | TS | GPA | AF Power Amp | 200 | TI | GNG | GPA | General Use | 201 | TI | GNG | GPA | General Use | 202 | TI | GNG | GPA | General Use | 206 | TI | GNG | GPA | AF Amplifier | 207 | TI | GNG | GPA | AF Amplifier | 208 | TI | GNG | GPA | AF Amplifier | GT | 210 | GTC | GPA | Switching | 210 | TI | GNG | GPA | AF Amplifier | 220 | TI | GNG | GPA | AF Amplifier | 221 | TI | GNG | GPA | IF Amplifier | GT | 222 | GTC | GPA | General Use | 222 | TI | GNG | GPA | IF Amplifier | 223 | TI | GNG | GPA | Converter | 224 | TI | GNG | GPA | Detector | 225 | TI | GNG | GPA | IF Amplifier | 227 | TI | GNG | GPA | IF Amplifier | 228 | TI | GNG | GPA | Detector | GT | 229 | GTC | GNA | AF Amplifier | 234 | TI | CNA | IF Amplifier | IF Amplifier | 235 | TI | GNA | GPA | Converter | GT | 269 | GTC | GPA | RF Amplifier | 301 | TI | GPA | AF Amplifier | AF Amplifier | 302 | TI | GPA | AF Amplifier | AF Amplifier | 310 | TI | GPA | AF Amplifier | AF Amplifier | 310 | TI | GPA | AF Amplifier | AF Amplifier | | | | | | | | | | | | | | | | | | | | | | | | | | | | | | | | | | | | | | | | | | | | | | | | | | | | | | | | | | | | | | | | | | | | | | | | | | | | | | | | | | | | | | | | | | | | | | | | | | | | | | | | | | | | | | | | | | | | | | | | | | | | | | | | | | | | | | | | | | | | | | | | | | | | | | | | | | | | | | | | | | | | | | | | | | | | | | | | | | | | | | | | | | | | | | | | | | | | | | | | | | | | | | | | | | | | | | | | | | | | | | | | | | | | | | | | | | | | | | | | | | | | | | | | | | | | | | | | | | | | | | | | | | | | | | | | | | | | | | | | | | | | | | | | | | | | | | | | | | | | | | | | | | | | | | | | | | | | | | | | | | | | | | | | | | | | | | | | | | | | | | | | | | | | | | | | | | | | | | | | | | | | | | | | | | | | | | | | | | | | | | | | | | | | | | | | | | | | | | | | | | | | | | | | | | | | | | | | | | | | | | | | | | | | | | |
| 10C | SPR | GPA | AF Amplifier | AF Amplifier | 11A | CTP | SO | Photo Use | Photo Use | 11B | CTP | SD | Photo Use | Photo Use | ZJ | 12 | GE | SNG | AF Amplifier | CK | 13 | RK | GPA | RF Amplifier | ZJ | 13 | GE | GNG | AF Amplifier | MN | 13A | MOT | GPA | AF Amplifier | MN | 13B | MOT | GPA | AF Amplifier | MN | 13C | MOT | GPA | AF Amplifier | ZJ | 13 | GE | GNG | AF Amplifier | CK | 14 | RK | GPA | RF Amplifier | GT | 14 | GTC | GPA | AF Amplifier | RR | 14 | RR | GPA | AF Amplifier | ZJ | 14 | GE | SD | Switching | ZJ | 14H | GTC | GPA | AF Amplifier | OC | 16 | AMP | GPA | AF Power Amp | ZJ | 16 | CK | RR | AF Power Amp | CK | 17 | RR | RR | AF Power Amp | MN | 19 | MOT | GPA | AF Amplifier | GT | 20 | GTC | GPA | AF Amplifier | RR | 20 | RR | GPA | AF Amplifier | GT | 20H | GTC | GPA | AF Amplifier | MN | 21 | MOT | GPA | AF Power Amp | RR | 21 | RR | GPA | AF Amplifier | GT | 24 | GTC | GPA | AF Amplifier | MN | 24 | MOT | GPA | AF Power Amp | MN | 25 | MOT | GPA | AF Power Amp | CK | 26 | RK | MOT | Switching | MN | 26 | MOT | GPA | AF Power Amp | MN | 28 | MOT | GPA | AF Power Amp | MN | 29 | MOT | GPA | AF Power Amp | GT | 34 | GTC | GPA | AF Amplifier | RR | 34 | RR | GPA | AF Amplifier | T | 34A | NU | GPA | AF Amplifier | T | 34B | NU | GPA | AF Amplifier | T | 34C | NU | GPA | AF Amplifier | T | 34D | NU | GPA | AF Amplifier | T | 34E | NU | GPA | AF Amplifier | T | 34F | NU | GPA | AF Amplifier | GT | 34HV | GTC | GPA | Switching | GT | 34S | GTC | GPA | Detector | GT | 38 | GTC | GPA | AF Amplifier | RR | 38 | RR | GPA | AF Amplifier | OC | 44 | AMP | GPA | RF Amplifier | OC | 45 | AMP | GPA | RF Amplifier | OC | 50 | AMP | GC | Oscillator | OC | 51 | AMP | GC | Switching | OC | 65 | AMP | GC | AF Amplifier | CT | 66 | GTC | GPA | Photo Use | OC | 66 | AMP | GPA | AF Amplifier | RR | 66 | RR | SD | AF Amplifier | OC | 70 | AMP | GPA | AF Amplifier | OC | 71 | AMP | GPA | RF Amplifier | OC | 72 | AMP | GMA | AF Amplifier | ZJ | 72 | GE | GNG | VHF Amplifier | OC | 73 | AMP | GPA | AF Amplifier | ZJ | 73 | GE | GNG | AF Amplifier | GT | 74 | GTC | GPA | AF Amplifier | GT | 75 | GTC | GPA | AF Amplifier | OC | 76 | AMP | GPA | Switching | GT | 81 | GTC | GPA | AF Amplifier | GT | 81H | GTC | GPA | AF Amplifier | GT | 81HS | GTC | GPA | AF Amplifier | GT | 82 | GTC | GPA | Switching | GT | 83 | GTC | GPA | Switching | GT | 87 | GTC | GPA | Switching | GT | 88 | GTC | GPA | Switching | DR | 100 | TS | GPA | AF Amplifier | DR | 101 | TS | GPA | AF Amplifier | DR | 102 | TS | GPA | AF Amplifier | GT | 109 | GTC | GPA | AF Amplifier | GT | 122 | GTC | GPA | Switching | GT | 123 | GTC | GPA | Switching | RR | 125 | RR | GPA | AF Amplifier | DR | 126 | TS | GPA | AF Amplifier | DR | 128 | TS | GPA | AF Amplifier | DR | 129 | TS | GPA | General Use | DR | 130 | TS | GPA | General Use | DR | 131 | TS | GPA | General Use | DR | 132 | TS | GPA | General Use | DR | 139 | TS | GPA | General Use | DR | 147 | TS | GPA | AF Power Amp | GT | 153 | GT | GPA | Switching | DR | 154 | TS | GPA | General Use | DR | 155 | TS | GPA | General Use | TS | 161 | TS | GMA | AF Amplifier | TS | 162 | TS | GMA | General Use | TS | 163 | TS | GPA | AF Amplifier | TS | 164 | TS | GPA | AF Amplifier | TS | 165 | TS | GPA | AF Amplifier | TS | 166 | TS | GPA | AF Amplifier | GT | 167 | GTC | GPA | Switching | TS | 176 | TS | GPA | AF Power Amp | 200 | TI | GNG | GPA | General Use | 201 | TI | GNG | GPA | General Use | 202 | TI | GNG | GPA | General Use | 206 | TI | GNG | GPA | AF Amplifier | 207 | TI | GNG | GPA | AF Amplifier | 208 | TI | GNG | GPA | AF Amplifier | GT | 210 | GTC | GPA | Switching | 210 | TI | GNG | GPA | AF Amplifier | 220 | TI | GNG | GPA | AF Amplifier | 221 | TI | GNG | GPA | IF Amplifier | GT | 222 | GTC | GPA | General Use | 222 | TI | GNG | GPA | IF Amplifier | 223 | TI | GNG | GPA | Converter | 224 | TI | GNG | GPA | Detector | 225 | TI | GNG | GPA | IF Amplifier | 227 | TI | GNG | GPA | IF Amplifier | 228 | TI | GNG | GPA | Detector | GT | 229 | GTC | GNA | AF Amplifier | 234 | TI | CNA | IF Amplifier | IF Amplifier | 235 | TI | GNA | GPA | Converter | GT | 269 | GTC | GPA | RF Amplifier | 301 | TI | GPA | AF Amplifier | AF Amplifier | 302 | TI | GPA | AF Amplifier | AF Amplifier | 310 | TI | GPA | AF Amplifier | AF Amplifier | 310 | TI | GPA | AF Amplifier | AF Amplifier | | | | | | | | | | | | | | | | | | | | | | | | | | | | | | | | | | | | | | | | | | | | | | | | | | | | | | | | | | | | | | | | | | | | | | | | | | | | | | | | | | | | | | | | | | | | | | | | | | | | | | | | | | | | | | | | | | | | | | | | | | | | | | | | | | | | | | | | | | | | | | | | | | | | | | | | | | | | | | | | | | | | | | | | | | | | | | | | | | | | | | | | | | | | | | | | | | | | | | | | | | | | | | | | | | | | | | | | | | | | | | | | | | | | | | | | | | | | | | | | | | | | | | | | | | | | | | | | | | | | | | | | | | | | | | | | | | | | | | | | | | | | | | | | | | | | | | | | | | | | | | | | | | | | | | | | | | | | | | | | | | | | | | | | | | | | | | | | | | | | | | | | | | | | | | | | | | | | | | | | | | | | | | | | | | | | | | | | | | | | | | | | | | | | | | | | | | | | | | | | | | | | | | | | | | | | | | | | | | | | | | | | | | | | | | | | | | | |
| 11A | CTP | SO | Photo Use | Photo Use | 11B | CTP | SD | Photo Use | Photo Use | ZJ | 12 | GE | SNG | AF Amplifier | CK | 13 | RK | GPA | RF Amplifier | ZJ | 13 | GE | GNG | AF Amplifier | MN | 13A | MOT | GPA | AF Amplifier | MN | 13B | MOT | GPA | AF Amplifier | MN | 13C | MOT | GPA | AF Amplifier | ZJ | 13 | GE | GNG | AF Amplifier | CK | 14 | RK | GPA | RF Amplifier | GT | 14 | GTC | GPA | AF Amplifier | RR | 14 | RR | GPA | AF Amplifier | ZJ | 14 | GE | SD | Switching | ZJ | 14H | GTC | GPA | AF Amplifier | OC | 16 | AMP | GPA | AF Power Amp | ZJ | 16 | CK | RR | AF Power Amp | CK | 17 | RR | RR | AF Power Amp | MN | 19 | MOT | GPA | AF Amplifier | GT | 20 | GTC | GPA | AF Amplifier | RR | 20 | RR | GPA | AF Amplifier | GT | 20H | GTC | GPA | AF Amplifier | MN | 21 | MOT | GPA | AF Power Amp | RR | 21 | RR | GPA | AF Amplifier | GT | 24 | GTC | GPA | AF Amplifier | MN | 24 | MOT | GPA | AF Power Amp | MN | 25 | MOT | GPA | AF Power Amp | CK | 26 | RK | MOT | Switching | MN | 26 | MOT | GPA | AF Power Amp | MN | 28 | MOT | GPA | AF Power Amp | MN | 29 | MOT | GPA | AF Power Amp | GT | 34 | GTC | GPA | AF Amplifier | RR | 34 | RR | GPA | AF Amplifier | T | 34A | NU | GPA | AF Amplifier | T | 34B | NU | GPA | AF Amplifier | T | 34C | NU | GPA | AF Amplifier | T | 34D | NU | GPA | AF Amplifier | T | 34E | NU | GPA | AF Amplifier | T | 34F | NU | GPA | AF Amplifier | GT | 34HV | GTC | GPA | Switching | GT | 34S | GTC | GPA | Detector | GT | 38 | GTC | GPA | AF Amplifier | RR | 38 | RR | GPA | AF Amplifier | OC | 44 | AMP | GPA | RF Amplifier | OC | 45 | AMP | GPA | RF Amplifier | OC | 50 | AMP | GC | Oscillator | OC | 51 | AMP | GC | Switching | OC | 65 | AMP | GC | AF Amplifier | CT | 66 | GTC | GPA | Photo Use | OC | 66 | AMP | GPA | AF Amplifier | RR | 66 | RR | SD | AF Amplifier | OC | 70 | AMP | GPA | AF Amplifier | OC | 71 | AMP | GPA | RF Amplifier | OC | 72 | AMP | GMA | AF Amplifier | ZJ | 72 | GE | GNG | VHF Amplifier | OC | 73 | AMP | GPA | AF Amplifier | ZJ | 73 | GE | GNG | AF Amplifier | GT | 74 | GTC | GPA | AF Amplifier | GT | 75 | GTC | GPA | AF Amplifier | OC | 76 | AMP | GPA | Switching | GT | 81 | GTC | GPA | AF Amplifier | GT | 81H | GTC | GPA | AF Amplifier | GT | 81HS | GTC | GPA | AF Amplifier | GT | 82 | GTC | GPA | Switching | GT | 83 | GTC | GPA | Switching | GT | 87 | GTC | GPA | Switching | GT | 88 | GTC | GPA | Switching | DR | 100 | TS | GPA | AF Amplifier | DR | 101 | TS | GPA | AF Amplifier | DR | 102 | TS | GPA | AF Amplifier | GT | 109 | GTC | GPA | AF Amplifier | GT | 122 | GTC | GPA | Switching | GT | 123 | GTC | GPA | Switching | RR | 125 | RR | GPA | AF Amplifier | DR | 126 | TS | GPA | AF Amplifier | DR | 128 | TS | GPA | AF Amplifier | DR | 129 | TS | GPA | General Use | DR | 130 | TS | GPA | General Use | DR | 131 | TS | GPA | General Use | DR | 132 | TS | GPA | General Use | DR | 139 | TS | GPA | General Use | DR | 147 | TS | GPA | AF Power Amp | GT | 153 | GT | GPA | Switching | DR | 154 | TS | GPA | General Use | DR | 155 | TS | GPA | General Use | TS | 161 | TS | GMA | AF Amplifier | TS | 162 | TS | GMA | General Use | TS | 163 | TS | GPA | AF Amplifier | TS | 164 | TS | GPA | AF Amplifier | TS | 165 | TS | GPA | AF Amplifier | TS | 166 | TS | GPA | AF Amplifier | GT | 167 | GTC | GPA | Switching | TS | 176 | TS | GPA | AF Power Amp | 200 | TI | GNG | GPA | General Use | 201 | TI | GNG | GPA | General Use | 202 | TI | GNG | GPA | General Use | 206 | TI | GNG | GPA | AF Amplifier | 207 | TI | GNG | GPA | AF Amplifier | 208 | TI | GNG | GPA | AF Amplifier | GT | 210 | GTC | GPA | Switching | 210 | TI | GNG | GPA | AF Amplifier | 220 | TI | GNG | GPA | AF Amplifier | 221 | TI | GNG | GPA | IF Amplifier | GT | 222 | GTC | GPA | General Use | 222 | TI | GNG | GPA | IF Amplifier | 223 | TI | GNG | GPA | Converter | 224 | TI | GNG | GPA | Detector | 225 | TI | GNG | GPA | IF Amplifier | 227 | TI | GNG | GPA | IF Amplifier | 228 | TI | GNG | GPA | Detector | GT | 229 | GTC | GNA | AF Amplifier | 234 | TI | CNA | IF Amplifier | IF Amplifier | 235 | TI | GNA | GPA | Converter | GT | 269 | GTC | GPA | RF Amplifier | 301 | TI | GPA | AF Amplifier | AF Amplifier | 302 | TI | GPA | AF Amplifier | AF Amplifier | 310 | TI | GPA | AF Amplifier | AF Amplifier | 310 | TI | GPA | AF Amplifier | AF Amplifier | | | | | | | | | | | | | | | | | | | | | | | | | | | | | | | | | | | | | | | | | | | | | | | | | | | | | | | | | | | | | | | | | | | | | | | | | | | | | | | | | | | | | | | | | | | | | | | | | | | | | | | | | | | | | | | | | | | | | | | | | | | | | | | | | | | | | | | | | | | | | | | | | | | | | | | | | | | | | | | | | | | | | | | | | | | | | | | | | | | | | | | | | | | | | | | | | | | | | | | | | | | | | | | | | | | | | | | | | | | | | | | | | | | | | | | | | | | | | | | | | | | | | | | | | | | | | | | | | | | | | | | | | | | | | | | | | | | | | | | | | | | | | | | | | | | | | | | | | | | | | | | | | | | | | | | | | | | | | | | | | | | | | | | | | | | | | | | | | | | | | | | | | | | | | | | | | | | | | | | | | | | | | | | | | | | | | | | | | | | | | | | | | | | | | | | | | | | | | | | | | | | | | | | | | | | | | | | | | | | | | | | | | | | | | | | | | | | | | | | | |
| 11B | CTP | SD | Photo Use | Photo Use | ZJ | 12 | GE | SNG | AF Amplifier | CK | 13 | RK | GPA | RF Amplifier | ZJ | 13 | GE | GNG | AF Amplifier | MN | 13A | MOT | GPA | AF Amplifier | MN | 13B | MOT | GPA | AF Amplifier | MN | 13C | MOT | GPA | AF Amplifier | ZJ | 13 | GE | GNG | AF Amplifier | CK | 14 | RK | GPA | RF Amplifier | GT | 14 | GTC | GPA | AF Amplifier | RR | 14 | RR | GPA | AF Amplifier | ZJ | 14 | GE | SD | Switching | ZJ | 14H | GTC | GPA | AF Amplifier | OC | 16 | AMP | GPA | AF Power Amp | ZJ | 16 | CK | RR | AF Power Amp | CK | 17 | RR | RR | AF Power Amp | MN | 19 | MOT | GPA | AF Amplifier | GT | 20 | GTC | GPA | AF Amplifier | RR | 20 | RR | GPA | AF Amplifier | GT | 20H | GTC | GPA | AF Amplifier | MN | 21 | MOT | GPA | AF Power Amp | RR | 21 | RR | GPA | AF Amplifier | GT | 24 | GTC | GPA | AF Amplifier | MN | 24 | MOT | GPA | AF Power Amp | MN | 25 | MOT | GPA | AF Power Amp | CK | 26 | RK | MOT | Switching | MN | 26 | MOT | GPA | AF Power Amp | MN | 28 | MOT | GPA | AF Power Amp | MN | 29 | MOT | GPA | AF Power Amp | GT | 34 | GTC | GPA | AF Amplifier | RR | 34 | RR | GPA | AF Amplifier | T | 34A | NU | GPA | AF Amplifier | T | 34B | NU | GPA | AF Amplifier | T | 34C | NU | GPA | AF Amplifier | T | 34D | NU | GPA | AF Amplifier | T | 34E | NU | GPA | AF Amplifier | T | 34F | NU | GPA | AF Amplifier | GT | 34HV | GTC | GPA | Switching | GT | 34S | GTC | GPA | Detector | GT | 38 | GTC | GPA | AF Amplifier | RR | 38 | RR | GPA | AF Amplifier | OC | 44 | AMP | GPA | RF Amplifier | OC | 45 | AMP | GPA | RF Amplifier | OC | 50 | AMP | GC | Oscillator | OC | 51 | AMP | GC | Switching | OC | 65 | AMP | GC | AF Amplifier | CT | 66 | GTC | GPA | Photo Use | OC | 66 | AMP | GPA | AF Amplifier | RR | 66 | RR | SD | AF Amplifier | OC | 70 | AMP | GPA | AF Amplifier | OC | 71 | AMP | GPA | RF Amplifier | OC | 72 | AMP | GMA | AF Amplifier | ZJ | 72 | GE | GNG | VHF Amplifier | OC | 73 | AMP | GPA | AF Amplifier | ZJ | 73 | GE | GNG | AF Amplifier | GT | 74 | GTC | GPA | AF Amplifier | GT | 75 | GTC | GPA | AF Amplifier | OC | 76 | AMP | GPA | Switching | GT | 81 | GTC | GPA | AF Amplifier | GT | 81H | GTC | GPA | AF Amplifier | GT | 81HS | GTC | GPA | AF Amplifier | GT | 82 | GTC | GPA | Switching | GT | 83 | GTC | GPA | Switching | GT | 87 | GTC | GPA | Switching | GT | 88 | GTC | GPA | Switching | DR | 100 | TS | GPA | AF Amplifier | DR | 101 | TS | GPA | AF Amplifier | DR | 102 | TS | GPA | AF Amplifier | GT | 109 | GTC | GPA | AF Amplifier | GT | 122 | GTC | GPA | Switching | GT | 123 | GTC | GPA | Switching | RR | 125 | RR | GPA | AF Amplifier | DR | 126 | TS | GPA | AF Amplifier | DR | 128 | TS | GPA | AF Amplifier | DR | 129 | TS | GPA | General Use | DR | 130 | TS | GPA | General Use | DR | 131 | TS | GPA | General Use | DR | 132 | TS | GPA | General Use | DR | 139 | TS | GPA | General Use | DR | 147 | TS | GPA | AF Power Amp | GT | 153 | GT | GPA | Switching | DR | 154 | TS | GPA | General Use | DR | 155 | TS | GPA | General Use | TS | 161 | TS | GMA | AF Amplifier | TS | 162 | TS | GMA | General Use | TS | 163 | TS | GPA | AF Amplifier | TS | 164 | TS | GPA | AF Amplifier | TS | 165 | TS | GPA | AF Amplifier | TS | 166 | TS | GPA | AF Amplifier | GT | 167 | GTC | GPA | Switching | TS | 176 | TS | GPA | AF Power Amp | 200 | TI | GNG | GPA | General Use | 201 | TI | GNG | GPA | General Use | 202 | TI | GNG | GPA | General Use | 206 | TI | GNG | GPA | AF Amplifier | 207 | TI | GNG | GPA | AF Amplifier | 208 | TI | GNG | GPA | AF Amplifier | GT | 210 | GTC | GPA | Switching | 210 | TI | GNG | GPA | AF Amplifier | 220 | TI | GNG | GPA | AF Amplifier | 221 | TI | GNG | GPA | IF Amplifier | GT | 222 | GTC | GPA | General Use | 222 | TI | GNG | GPA | IF Amplifier | 223 | TI | GNG | GPA | Converter | 224 | TI | GNG | GPA | Detector | 225 | TI | GNG | GPA | IF Amplifier | 227 | TI | GNG | GPA | IF Amplifier | 228 | TI | GNG | GPA | Detector | GT | 229 | GTC | GNA | AF Amplifier | 234 | TI | CNA | IF Amplifier | IF Amplifier | 235 | TI | GNA | GPA | Converter | GT | 269 | GTC | GPA | RF Amplifier | 301 | TI | GPA | AF Amplifier | AF Amplifier | 302 | TI | GPA | AF Amplifier | AF Amplifier | 310 | TI | GPA | AF Amplifier | AF Amplifier | 310 | TI | GPA | AF Amplifier | AF Amplifier | | | | | | | | | | | | | | | | | | | | | | | | | | | | | | | | | | | | | | | | | | | | | | | | | | | | | | | | | | | | | | | | | | | | | | | | | | | | | | | | | | | | | | | | | | | | | | | | | | | | | | | | | | | | | | | | | | | | | | | | | | | | | | | | | | | | | | | | | | | | | | | | | | | | | | | | | | | | | | | | | | | | | | | | | | | | | | | | | | | | | | | | | | | | | | | | | | | | | | | | | | | | | | | | | | | | | | | | | | | | | | | | | | | | | | | | | | | | | | | | | | | | | | | | | | | | | | | | | | | | | | | | | | | | | | | | | | | | | | | | | | | | | | | | | | | | | | | | | | | | | | | | | | | | | | | | | | | | | | | | | | | | | | | | | | | | | | | | | | | | | | | | | | | | | | | | | | | | | | | | | | | | | | | | | | | | | | | | | | | | | | | | | | | | | | | | | | | | | | | | | | | | | | | | | | | | | | | | | | | | | | | | | | | | | | | | | | | | | | | | | | | | | |
| ZJ | 12 | GE | SNG | AF Amplifier | CK | 13 | RK | GPA | RF Amplifier | ZJ | 13 | GE | GNG | AF Amplifier | MN | 13A | MOT | GPA | AF Amplifier | MN | 13B | MOT | GPA | AF Amplifier | MN | 13C | MOT | GPA | AF Amplifier | ZJ | 13 | GE | GNG | AF Amplifier | CK | 14 | RK | GPA | RF Amplifier | GT | 14 | GTC | GPA | AF Amplifier | RR | 14 | RR | GPA | AF Amplifier | ZJ | 14 | GE | SD | Switching | ZJ | 14H | GTC | GPA | AF Amplifier | OC | 16 | AMP | GPA | AF Power Amp | ZJ | 16 | CK | RR | AF Power Amp | CK | 17 | RR | RR | AF Power Amp | MN | 19 | MOT | GPA | AF Amplifier | GT | 20 | GTC | GPA | AF Amplifier | RR | 20 | RR | GPA | AF Amplifier | GT | 20H | GTC | GPA | AF Amplifier | MN | 21 | MOT | GPA | AF Power Amp | RR | 21 | RR | GPA | AF Amplifier | GT | 24 | GTC | GPA | AF Amplifier | MN | 24 | MOT | GPA | AF Power Amp | MN | 25 | MOT | GPA | AF Power Amp | CK | 26 | RK | MOT | Switching | MN | 26 | MOT | GPA | AF Power Amp | MN | 28 | MOT | GPA | AF Power Amp | MN | 29 | MOT | GPA | AF Power Amp | GT | 34 | GTC | GPA | AF Amplifier | RR | 34 | RR | GPA | AF Amplifier | T | 34A | NU | GPA | AF Amplifier | T | 34B | NU | GPA | AF Amplifier | T | 34C | NU | GPA | AF Amplifier | T | 34D | NU | GPA | AF Amplifier | T | 34E | NU | GPA | AF Amplifier | T | 34F | NU | GPA | AF Amplifier | GT | 34HV | GTC | GPA | Switching | GT | 34S | GTC | GPA | Detector | GT | 38 | GTC | GPA | AF Amplifier | RR | 38 | RR | GPA | AF Amplifier | OC | 44 | AMP | GPA | RF Amplifier | OC | 45 | AMP | GPA | RF Amplifier | OC | 50 | AMP | GC | Oscillator | OC | 51 | AMP | GC | Switching | OC | 65 | AMP | GC | AF Amplifier | CT | 66 | GTC | GPA | Photo Use | OC | 66 | AMP | GPA | AF Amplifier | RR | 66 | RR | SD | AF Amplifier | OC | 70 | AMP | GPA | AF Amplifier | OC | 71 | AMP | GPA | RF Amplifier | OC | 72 | AMP | GMA | AF Amplifier | ZJ | 72 | GE | GNG | VHF Amplifier | OC | 73 | AMP | GPA | AF Amplifier | ZJ | 73 | GE | GNG | AF Amplifier | GT | 74 | GTC | GPA | AF Amplifier | GT | 75 | GTC | GPA | AF Amplifier | OC | 76 | AMP | GPA | Switching | GT | 81 | GTC | GPA | AF Amplifier | GT | 81H | GTC | GPA | AF Amplifier | GT | 81HS | GTC | GPA | AF Amplifier | GT | 82 | GTC | GPA | Switching | GT | 83 | GTC | GPA | Switching | GT | 87 | GTC | GPA | Switching | GT | 88 | GTC | GPA | Switching | DR | 100 | TS | GPA | AF Amplifier | DR | 101 | TS | GPA | AF Amplifier | DR | 102 | TS | GPA | AF Amplifier | GT | 109 | GTC | GPA | AF Amplifier | GT | 122 | GTC | GPA | Switching | GT | 123 | GTC | GPA | Switching | RR | 125 | RR | GPA | AF Amplifier | DR | 126 | TS | GPA | AF Amplifier | DR | 128 | TS | GPA | AF Amplifier | DR | 129 | TS | GPA | General Use | DR | 130 | TS | GPA | General Use | DR | 131 | TS | GPA | General Use | DR | 132 | TS | GPA | General Use | DR | 139 | TS | GPA | General Use | DR | 147 | TS | GPA | AF Power Amp | GT | 153 | GT | GPA | Switching | DR | 154 | TS | GPA | General Use | DR | 155 | TS | GPA | General Use | TS | 161 | TS | GMA | AF Amplifier | TS | 162 | TS | GMA | General Use | TS | 163 | TS | GPA | AF Amplifier | TS | 164 | TS | GPA | AF Amplifier | TS | 165 | TS | GPA | AF Amplifier | TS | 166 | TS | GPA | AF Amplifier | GT | 167 | GTC | GPA | Switching | TS | 176 | TS | GPA | AF Power Amp | 200 | TI | GNG | GPA | General Use | 201 | TI | GNG | GPA | General Use | 202 | TI | GNG | GPA | General Use | 206 | TI | GNG | GPA | AF Amplifier | 207 | TI | GNG | GPA | AF Amplifier | 208 | TI | GNG | GPA | AF Amplifier | GT | 210 | GTC | GPA | Switching | 210 | TI | GNG | GPA | AF Amplifier | 220 | TI | GNG | GPA | AF Amplifier | 221 | TI | GNG | GPA | IF Amplifier | GT | 222 | GTC | GPA | General Use | 222 | TI | GNG | GPA | IF Amplifier | 223 | TI | GNG | GPA | Converter | 224 | TI | GNG | GPA | Detector | 225 | TI | GNG | GPA | IF Amplifier | 227 | TI | GNG | GPA | IF Amplifier | 228 | TI | GNG | GPA | Detector | GT | 229 | GTC | GNA | AF Amplifier | 234 | TI | CNA | IF Amplifier | IF Amplifier | 235 | TI | GNA | GPA | Converter | GT | 269 | GTC | GPA | RF Amplifier | 301 | TI | GPA | AF Amplifier | AF Amplifier | 302 | TI | GPA | AF Amplifier | AF Amplifier | 310 | TI | GPA | AF Amplifier | AF Amplifier | 310 | TI | GPA | AF Amplifier | AF Amplifier | | | | | | | | | | | | | | | | | | | | | | | | | | | | | | | | | | | | | | | | | | | | | | | | | | | | | | | | | | | | | | | | | | | | | | | | | | | | | | | | | | | | | | | | | | | | | | | | | | | | | | | | | | | | | | | | | | | | | | | | | | | | | | | | | | | | | | | | | | | | | | | | | | | | | | | | | | | | | | | | | | | | | | | | | | | | | | | | | | | | | | | | | | | | | | | | | | | | | | | | | | | | | | | | | | | | | | | | | | | | | | | | | | | | | | | | | | | | | | | | | | | | | | | | | | | | | | | | | | | | | | | | | | | | | | | | | | | | | | | | | | | | | | | | | | | | | | | | | | | | | | | | | | | | | | | | | | | | | | | | | | | | | | | | | | | | | | | | | | | | | | | | | | | | | | | | | | | | | | | | | | | | | | | | | | | | | | | | | | | | | | | | | | | | | | | | | | | | | | | | | | | | | | | | | | | | | | | | | | | | | | | | | | | | | | | | | | | | | | | | | | | | | | | | | | |
| CK | 13 | RK | GPA | RF Amplifier | ZJ | 13 | GE | GNG | AF Amplifier | MN | 13A | MOT | GPA | AF Amplifier | MN | 13B | MOT | GPA | AF Amplifier | MN | 13C | MOT | GPA | AF Amplifier | ZJ | 13 | GE | GNG | AF Amplifier | CK | 14 | RK | GPA | RF Amplifier | GT | 14 | GTC | GPA | AF Amplifier | RR | 14 | RR | GPA | AF Amplifier | ZJ | 14 | GE | SD | Switching | ZJ | 14H | GTC | GPA | AF Amplifier | OC | 16 | AMP | GPA | AF Power Amp | ZJ | 16 | CK | RR | AF Power Amp | CK | 17 | RR | RR | AF Power Amp | MN | 19 | MOT | GPA | AF Amplifier | GT | 20 | GTC | GPA | AF Amplifier | RR | 20 | RR | GPA | AF Amplifier | GT | 20H | GTC | GPA | AF Amplifier | MN | 21 | MOT | GPA | AF Power Amp | RR | 21 | RR | GPA | AF Amplifier | GT | 24 | GTC | GPA | AF Amplifier | MN | 24 | MOT | GPA | AF Power Amp | MN | 25 | MOT | GPA | AF Power Amp | CK | 26 | RK | MOT | Switching | MN | 26 | MOT | GPA | AF Power Amp | MN | 28 | MOT | GPA | AF Power Amp | MN | 29 | MOT | GPA | AF Power Amp | GT | 34 | GTC | GPA | AF Amplifier | RR | 34 | RR | GPA | AF Amplifier | T | 34A | NU | GPA | AF Amplifier | T | 34B | NU | GPA | AF Amplifier | T | 34C | NU | GPA | AF Amplifier | T | 34D | NU | GPA | AF Amplifier | T | 34E | NU | GPA | AF Amplifier | T | 34F | NU | GPA | AF Amplifier | GT | 34HV | GTC | GPA | Switching | GT | 34S | GTC | GPA | Detector | GT | 38 | GTC | GPA | AF Amplifier | RR | 38 | RR | GPA | AF Amplifier | OC | 44 | AMP | GPA | RF Amplifier | OC | 45 | AMP | GPA | RF Amplifier | OC | 50 | AMP | GC | Oscillator | OC | 51 | AMP | GC | Switching | OC | 65 | AMP | GC | AF Amplifier | CT | 66 | GTC | GPA | Photo Use | OC | 66 | AMP | GPA | AF Amplifier | RR | 66 | RR | SD | AF Amplifier | OC | 70 | AMP | GPA | AF Amplifier | OC | 71 | AMP | GPA | RF Amplifier | OC | 72 | AMP | GMA | AF Amplifier | ZJ | 72 | GE | GNG | VHF Amplifier | OC | 73 | AMP | GPA | AF Amplifier | ZJ | 73 | GE | GNG | AF Amplifier | GT | 74 | GTC | GPA | AF Amplifier | GT | 75 | GTC | GPA | AF Amplifier | OC | 76 | AMP | GPA | Switching | GT | 81 | GTC | GPA | AF Amplifier | GT | 81H | GTC | GPA | AF Amplifier | GT | 81HS | GTC | GPA | AF Amplifier | GT | 82 | GTC | GPA | Switching | GT | 83 | GTC | GPA | Switching | GT | 87 | GTC | GPA | Switching | GT | 88 | GTC | GPA | Switching | DR | 100 | TS | GPA | AF Amplifier | DR | 101 | TS | GPA | AF Amplifier | DR | 102 | TS | GPA | AF Amplifier | GT | 109 | GTC | GPA | AF Amplifier | GT | 122 | GTC | GPA | Switching | GT | 123 | GTC | GPA | Switching | RR | 125 | RR | GPA | AF Amplifier | DR | 126 | TS | GPA | AF Amplifier | DR | 128 | TS | GPA | AF Amplifier | DR | 129 | TS | GPA | General Use | DR | 130 | TS | GPA | General Use | DR | 131 | TS | GPA | General Use | DR | 132 | TS | GPA | General Use | DR | 139 | TS | GPA | General Use | DR | 147 | TS | GPA | AF Power Amp | GT | 153 | GT | GPA | Switching | DR | 154 | TS | GPA | General Use | DR | 155 | TS | GPA | General Use | TS | 161 | TS | GMA | AF Amplifier | TS | 162 | TS | GMA | General Use | TS | 163 | TS | GPA | AF Amplifier | TS | 164 | TS | GPA | AF Amplifier | TS | 165 | TS | GPA | AF Amplifier | TS | 166 | TS | GPA | AF Amplifier | GT | 167 | GTC | GPA | Switching | TS | 176 | TS | GPA | AF Power Amp | 200 | TI | GNG | GPA | General Use | 201 | TI | GNG | GPA | General Use | 202 | TI | GNG | GPA | General Use | 206 | TI | GNG | GPA | AF Amplifier | 207 | TI | GNG | GPA | AF Amplifier | 208 | TI | GNG | GPA | AF Amplifier | GT | 210 | GTC | GPA | Switching | 210 | TI | GNG | GPA | AF Amplifier | 220 | TI | GNG | GPA | AF Amplifier | 221 | TI | GNG | GPA | IF Amplifier | GT | 222 | GTC | GPA | General Use | 222 | TI | GNG | GPA | IF Amplifier | 223 | TI | GNG | GPA | Converter | 224 | TI | GNG | GPA | Detector | 225 | TI | GNG | GPA | IF Amplifier | 227 | TI | GNG | GPA | IF Amplifier | 228 | TI | GNG | GPA | Detector | GT | 229 | GTC | GNA | AF Amplifier | 234 | TI | CNA | IF Amplifier | IF Amplifier | 235 | TI | GNA | GPA | Converter | GT | 269 | GTC | GPA | RF Amplifier | 301 | TI | GPA | AF Amplifier | AF Amplifier | 302 | TI | GPA | AF Amplifier | AF Amplifier | 310 | TI | GPA | AF Amplifier | AF Amplifier | 310 | TI | GPA | AF Amplifier | AF Amplifier | | | | | | | | | | | | | | | | | | | | | | | | | | | | | | | | | | | | | | | | | | | | | | | | | | | | | | | | | | | | | | | | | | | | | | | | | | | | | | | | | | | | | | | | | | | | | | | | | | | | | | | | | | | | | | | | | | | | | | | | | | | | | | | | | | | | | | | | | | | | | | | | | | | | | | | | | | | | | | | | | | | | | | | | | | | | | | | | | | | | | | | | | | | | | | | | | | | | | | | | | | | | | | | | | | | | | | | | | | | | | | | | | | | | | | | | | | | | | | | | | | | | | | | | | | | | | | | | | | | | | | | | | | | | | | | | | | | | | | | | | | | | | | | | | | | | | | | | | | | | | | | | | | | | | | | | | | | | | | | | | | | | | | | | | | | | | | | | | | | | | | | | | | | | | | | | | | | | | | | | | | | | | | | | | | | | | | | | | | | | | | | | | | | | | | | | | | | | | | | | | | | | | | | | | | | | | | | | | | | | | | | | | | | | | | | | | | | | | | | | | | | | | | | | | | | | | | | |
| ZJ | 13 | GE | GNG | AF Amplifier | MN | 13A | MOT | GPA | AF Amplifier | MN | 13B | MOT | GPA | AF Amplifier | MN | 13C | MOT | GPA | AF Amplifier | ZJ | 13 | GE | GNG | AF Amplifier | CK | 14 | RK | GPA | RF Amplifier | GT | 14 | GTC | GPA | AF Amplifier | RR | 14 | RR | GPA | AF Amplifier | ZJ | 14 | GE | SD | Switching | ZJ | 14H | GTC | GPA | AF Amplifier | OC | 16 | AMP | GPA | AF Power Amp | ZJ | 16 | CK | RR | AF Power Amp | CK | 17 | RR | RR | AF Power Amp | MN | 19 | MOT | GPA | AF Amplifier | GT | 20 | GTC | GPA | AF Amplifier | RR | 20 | RR | GPA | AF Amplifier | GT | 20H | GTC | GPA | AF Amplifier | MN | 21 | MOT | GPA | AF Power Amp | RR | 21 | RR | GPA | AF Amplifier | GT | 24 | GTC | GPA | AF Amplifier | MN | 24 | MOT | GPA | AF Power Amp | MN | 25 | MOT | GPA | AF Power Amp | CK | 26 | RK | MOT | Switching | MN | 26 | MOT | GPA | AF Power Amp | MN | 28 | MOT | GPA | AF Power Amp | MN | 29 | MOT | GPA | AF Power Amp | GT | 34 | GTC | GPA | AF Amplifier | RR | 34 | RR | GPA | AF Amplifier | T | 34A | NU | GPA | AF Amplifier | T | 34B | NU | GPA | AF Amplifier | T | 34C | NU | GPA | AF Amplifier | T | 34D | NU | GPA | AF Amplifier | T | 34E | NU | GPA | AF Amplifier | T | 34F | NU | GPA | AF Amplifier | GT | 34HV | GTC | GPA | Switching | GT | 34S | GTC | GPA | Detector | GT | 38 | GTC | GPA | AF Amplifier | RR | 38 | RR | GPA | AF Amplifier | OC | 44 | AMP | GPA | RF Amplifier | OC | 45 | AMP | GPA | RF Amplifier | OC | 50 | AMP | GC | Oscillator | OC | 51 | AMP | GC | Switching | OC | 65 | AMP | GC | AF Amplifier | CT | 66 | GTC | GPA | Photo Use | OC | 66 | AMP | GPA | AF Amplifier | RR | 66 | RR | SD | AF Amplifier | OC | 70 | AMP | GPA | AF Amplifier | OC | 71 | AMP | GPA | RF Amplifier | OC | 72 | AMP | GMA | AF Amplifier | ZJ | 72 | GE | GNG | VHF Amplifier | OC | 73 | AMP | GPA | AF Amplifier | ZJ | 73 | GE | GNG | AF Amplifier | GT | 74 | GTC | GPA | AF Amplifier | GT | 75 | GTC | GPA | AF Amplifier | OC | 76 | AMP | GPA | Switching | GT | 81 | GTC | GPA | AF Amplifier | GT | 81H | GTC | GPA | AF Amplifier | GT | 81HS | GTC | GPA | AF Amplifier | GT | 82 | GTC | GPA | Switching | GT | 83 | GTC | GPA | Switching | GT | 87 | GTC | GPA | Switching | GT | 88 | GTC | GPA | Switching | DR | 100 | TS | GPA | AF Amplifier | DR | 101 | TS | GPA | AF Amplifier | DR | 102 | TS | GPA | AF Amplifier | GT | 109 | GTC | GPA | AF Amplifier | GT | 122 | GTC | GPA | Switching | GT | 123 | GTC | GPA | Switching | RR | 125 | RR | GPA | AF Amplifier | DR | 126 | TS | GPA | AF Amplifier | DR | 128 | TS | GPA | AF Amplifier | DR | 129 | TS | GPA | General Use | DR | 130 | TS | GPA | General Use | DR | 131 | TS | GPA | General Use | DR | 132 | TS | GPA | General Use | DR | 139 | TS | GPA | General Use | DR | 147 | TS | GPA | AF Power Amp | GT | 153 | GT | GPA | Switching | DR | 154 | TS | GPA | General Use | DR | 155 | TS | GPA | General Use | TS | 161 | TS | GMA | AF Amplifier | TS | 162 | TS | GMA | General Use | TS | 163 | TS | GPA | AF Amplifier | TS | 164 | TS | GPA | AF Amplifier | TS | 165 | TS | GPA | AF Amplifier | TS | 166 | TS | GPA | AF Amplifier | GT | 167 | GTC | GPA | Switching | TS | 176 | TS | GPA | AF Power Amp | 200 | TI | GNG | GPA | General Use | 201 | TI | GNG | GPA | General Use | 202 | TI | GNG | GPA | General Use | 206 | TI | GNG | GPA | AF Amplifier | 207 | TI | GNG | GPA | AF Amplifier | 208 | TI | GNG | GPA | AF Amplifier | GT | 210 | GTC | GPA | Switching | 210 | TI | GNG | GPA | AF Amplifier | 220 | TI | GNG | GPA | AF Amplifier | 221 | TI | GNG | GPA | IF Amplifier | GT | 222 | GTC | GPA | General Use | 222 | TI | GNG | GPA | IF Amplifier | 223 | TI | GNG | GPA | Converter | 224 | TI | GNG | GPA | Detector | 225 | TI | GNG | GPA | IF Amplifier | 227 | TI | GNG | GPA | IF Amplifier | 228 | TI | GNG | GPA | Detector | GT | 229 | GTC | GNA | AF Amplifier | 234 | TI | CNA | IF Amplifier | IF Amplifier | 235 | TI | GNA | GPA | Converter | GT | 269 | GTC | GPA | RF Amplifier | 301 | TI | GPA | AF Amplifier | AF Amplifier | 302 | TI | GPA | AF Amplifier | AF Amplifier | 310 | TI | GPA | AF Amplifier | AF Amplifier | 310 | TI | GPA | AF Amplifier | AF Amplifier | | | | | | | | | | | | | | | | | | | | | | | | | | | | | | | | | | | | | | | | | | | | | | | | | | | | | | | | | | | | | | | | | | | | | | | | | | | | | | | | | | | | | | | | | | | | | | | | | | | | | | | | | | | | | | | | | | | | | | | | | | | | | | | | | | | | | | | | | | | | | | | | | | | | | | | | | | | | | | | | | | | | | | | | | | | | | | | | | | | | | | | | | | | | | | | | | | | | | | | | | | | | | | | | | | | | | | | | | | | | | | | | | | | | | | | | | | | | | | | | | | | | | | | | | | | | | | | | | | | | | | | | | | | | | | | | | | | | | | | | | | | | | | | | | | | | | | | | | | | | | | | | | | | | | | | | | | | | | | | | | | | | | | | | | | | | | | | | | | | | | | | | | | | | | | | | | | | | | | | | | | | | | | | | | | | | | | | | | | | | | | | | | | | | | | | | | | | | | | | | | | | | | | | | | | | | | | | | | | | | | | | | | | | | | | | | | | | | | | | | | | | | | | | | | | | | | | | | | | | | |
| MN | 13A | MOT | GPA | AF Amplifier | MN | 13B | MOT | GPA | AF Amplifier | MN | 13C | MOT | GPA | AF Amplifier | ZJ | 13 | GE | GNG | AF Amplifier | CK | 14 | RK | GPA | RF Amplifier | GT | 14 | GTC | GPA | AF Amplifier | RR | 14 | RR | GPA | AF Amplifier | ZJ | 14 | GE | SD | Switching | ZJ | 14H | GTC | GPA | AF Amplifier | OC | 16 | AMP | GPA | AF Power Amp | ZJ | 16 | CK | RR | AF Power Amp | CK | 17 | RR | RR | AF Power Amp | MN | 19 | MOT | GPA | AF Amplifier | GT | 20 | GTC | GPA | AF Amplifier | RR | 20 | RR | GPA | AF Amplifier | GT | 20H | GTC | GPA | AF Amplifier | MN | 21 | MOT | GPA | AF Power Amp | RR | 21 | RR | GPA | AF Amplifier | GT | 24 | GTC | GPA | AF Amplifier | MN | 24 | MOT | GPA | AF Power Amp | MN | 25 | MOT | GPA | AF Power Amp | CK | 26 | RK | MOT | Switching | MN | 26 | MOT | GPA | AF Power Amp | MN | 28 | MOT | GPA | AF Power Amp | MN | 29 | MOT | GPA | AF Power Amp | GT | 34 | GTC | GPA | AF Amplifier | RR | 34 | RR | GPA | AF Amplifier | T | 34A | NU | GPA | AF Amplifier | T | 34B | NU | GPA | AF Amplifier | T | 34C | NU | GPA | AF Amplifier | T | 34D | NU | GPA | AF Amplifier | T | 34E | NU | GPA | AF Amplifier | T | 34F | NU | GPA | AF Amplifier | GT | 34HV | GTC | GPA | Switching | GT | 34S | GTC | GPA | Detector | GT | 38 | GTC | GPA | AF Amplifier | RR | 38 | RR | GPA | AF Amplifier | OC | 44 | AMP | GPA | RF Amplifier | OC | 45 | AMP | GPA | RF Amplifier | OC | 50 | AMP | GC | Oscillator | OC | 51 | AMP | GC | Switching | OC | 65 | AMP | GC | AF Amplifier | CT | 66 | GTC | GPA | Photo Use | OC | 66 | AMP | GPA | AF Amplifier | RR | 66 | RR | SD | AF Amplifier | OC | 70 | AMP | GPA | AF Amplifier | OC | 71 | AMP | GPA | RF Amplifier | OC | 72 | AMP | GMA | AF Amplifier | ZJ | 72 | GE | GNG | VHF Amplifier | OC | 73 | AMP | GPA | AF Amplifier | ZJ | 73 | GE | GNG | AF Amplifier | GT | 74 | GTC | GPA | AF Amplifier | GT | 75 | GTC | GPA | AF Amplifier | OC | 76 | AMP | GPA | Switching | GT | 81 | GTC | GPA | AF Amplifier | GT | 81H | GTC | GPA | AF Amplifier | GT | 81HS | GTC | GPA | AF Amplifier | GT | 82 | GTC | GPA | Switching | GT | 83 | GTC | GPA | Switching | GT | 87 | GTC | GPA | Switching | GT | 88 | GTC | GPA | Switching | DR | 100 | TS | GPA | AF Amplifier | DR | 101 | TS | GPA | AF Amplifier | DR | 102 | TS | GPA | AF Amplifier | GT | 109 | GTC | GPA | AF Amplifier | GT | 122 | GTC | GPA | Switching | GT | 123 | GTC | GPA | Switching | RR | 125 | RR | GPA | AF Amplifier | DR | 126 | TS | GPA | AF Amplifier | DR | 128 | TS | GPA | AF Amplifier | DR | 129 | TS | GPA | General Use | DR | 130 | TS | GPA | General Use | DR | 131 | TS | GPA | General Use | DR | 132 | TS | GPA | General Use | DR | 139 | TS | GPA | General Use | DR | 147 | TS | GPA | AF Power Amp | GT | 153 | GT | GPA | Switching | DR | 154 | TS | GPA | General Use | DR | 155 | TS | GPA | General Use | TS | 161 | TS | GMA | AF Amplifier | TS | 162 | TS | GMA | General Use | TS | 163 | TS | GPA | AF Amplifier | TS | 164 | TS | GPA | AF Amplifier | TS | 165 | TS | GPA | AF Amplifier | TS | 166 | TS | GPA | AF Amplifier | GT | 167 | GTC | GPA | Switching | TS | 176 | TS | GPA | AF Power Amp | 200 | TI | GNG | GPA | General Use | 201 | TI | GNG | GPA | General Use | 202 | TI | GNG | GPA | General Use | 206 | TI | GNG | GPA | AF Amplifier | 207 | TI | GNG | GPA | AF Amplifier | 208 | TI | GNG | GPA | AF Amplifier | GT | 210 | GTC | GPA | Switching | 210 | TI | GNG | GPA | AF Amplifier | 220 | TI | GNG | GPA | AF Amplifier | 221 | TI | GNG | GPA | IF Amplifier | GT | 222 | GTC | GPA | General Use | 222 | TI | GNG | GPA | IF Amplifier | 223 | TI | GNG | GPA | Converter | 224 | TI | GNG | GPA | Detector | 225 | TI | GNG | GPA | IF Amplifier | 227 | TI | GNG | GPA | IF Amplifier | 228 | TI | GNG | GPA | Detector | GT | 229 | GTC | GNA | AF Amplifier | 234 | TI | CNA | IF Amplifier | IF Amplifier | 235 | TI | GNA | GPA | Converter | GT | 269 | GTC | GPA | RF Amplifier | 301 | TI | GPA | AF Amplifier | AF Amplifier | 302 | TI | GPA | AF Amplifier | AF Amplifier | 310 | TI | GPA | AF Amplifier | AF Amplifier | 310 | TI | GPA | AF Amplifier | AF Amplifier | | | | | | | | | | | | | | | | | | | | | | | | | | | | | | | | | | | | | | | | | | | | | | | | | | | | | | | | | | | | | | | | | | | | | | | | | | | | | | | | | | | | | | | | | | | | | | | | | | | | | | | | | | | | | | | | | | | | | | | | | | | | | | | | | | | | | | | | | | | | | | | | | | | | | | | | | | | | | | | | | | | | | | | | | | | | | | | | | | | | | | | | | | | | | | | | | | | | | | | | | | | | | | | | | | | | | | | | | | | | | | | | | | | | | | | | | | | | | | | | | | | | | | | | | | | | | | | | | | | | | | | | | | | | | | | | | | | | | | | | | | | | | | | | | | | | | | | | | | | | | | | | | | | | | | | | | | | | | | | | | | | | | | | | | | | | | | | | | | | | | | | | | | | | | | | | | | | | | | | | | | | | | | | | | | | | | | | | | | | | | | | | | | | | | | | | | | | | | | | | | | | | | | | | | | | | | | | | | | | | | | | | | | | | | | | | | | | | | | | | | | | | | | | | | | | | | | | | | | | | | | | | | |
| MN | 13B | MOT | GPA | AF Amplifier | MN | 13C | MOT | GPA | AF Amplifier | ZJ | 13 | GE | GNG | AF Amplifier | CK | 14 | RK | GPA | RF Amplifier | GT | 14 | GTC | GPA | AF Amplifier | RR | 14 | RR | GPA | AF Amplifier | ZJ | 14 | GE | SD | Switching | ZJ | 14H | GTC | GPA | AF Amplifier | OC | 16 | AMP | GPA | AF Power Amp | ZJ | 16 | CK | RR | AF Power Amp | CK | 17 | RR | RR | AF Power Amp | MN | 19 | MOT | GPA | AF Amplifier | GT | 20 | GTC | GPA | AF Amplifier | RR | 20 | RR | GPA | AF Amplifier | GT | 20H | GTC | GPA | AF Amplifier | MN | 21 | MOT | GPA | AF Power Amp | RR | 21 | RR | GPA | AF Amplifier | GT | 24 | GTC | GPA | AF Amplifier | MN | 24 | MOT | GPA | AF Power Amp | MN | 25 | MOT | GPA | AF Power Amp | CK | 26 | RK | MOT | Switching | MN | 26 | MOT | GPA | AF Power Amp | MN | 28 | MOT | GPA | AF Power Amp | MN | 29 | MOT | GPA | AF Power Amp | GT | 34 | GTC | GPA | AF Amplifier | RR | 34 | RR | GPA | AF Amplifier | T | 34A | NU | GPA | AF Amplifier | T | 34B | NU | GPA | AF Amplifier | T | 34C | NU | GPA | AF Amplifier | T | 34D | NU | GPA | AF Amplifier | T | 34E | NU | GPA | AF Amplifier | T | 34F | NU | GPA | AF Amplifier | GT | 34HV | GTC | GPA | Switching | GT | 34S | GTC | GPA | Detector | GT | 38 | GTC | GPA | AF Amplifier | RR | 38 | RR | GPA | AF Amplifier | OC | 44 | AMP | GPA | RF Amplifier | OC | 45 | AMP | GPA | RF Amplifier | OC | 50 | AMP | GC | Oscillator | OC | 51 | AMP | GC | Switching | OC | 65 | AMP | GC | AF Amplifier | CT | 66 | GTC | GPA | Photo Use | OC | 66 | AMP | GPA | AF Amplifier | RR | 66 | RR | SD | AF Amplifier | OC | 70 | AMP | GPA | AF Amplifier | OC | 71 | AMP | GPA | RF Amplifier | OC | 72 | AMP | GMA | AF Amplifier | ZJ | 72 | GE | GNG | VHF Amplifier | OC | 73 | AMP | GPA | AF Amplifier | ZJ | 73 | GE | GNG | AF Amplifier | GT | 74 | GTC | GPA | AF Amplifier | GT | 75 | GTC | GPA | AF Amplifier | OC | 76 | AMP | GPA | Switching | GT | 81 | GTC | GPA | AF Amplifier | GT | 81H | GTC | GPA | AF Amplifier | GT | 81HS | GTC | GPA | AF Amplifier | GT | 82 | GTC | GPA | Switching | GT | 83 | GTC | GPA | Switching | GT | 87 | GTC | GPA | Switching | GT | 88 | GTC | GPA | Switching | DR | 100 | TS | GPA | AF Amplifier | DR | 101 | TS | GPA | AF Amplifier | DR | 102 | TS | GPA | AF Amplifier | GT | 109 | GTC | GPA | AF Amplifier | GT | 122 | GTC | GPA | Switching | GT | 123 | GTC | GPA | Switching | RR | 125 | RR | GPA | AF Amplifier | DR | 126 | TS | GPA | AF Amplifier | DR | 128 | TS | GPA | AF Amplifier | DR | 129 | TS | GPA | General Use | DR | 130 | TS | GPA | General Use | DR | 131 | TS | GPA | General Use | DR | 132 | TS | GPA | General Use | DR | 139 | TS | GPA | General Use | DR | 147 | TS | GPA | AF Power Amp | GT | 153 | GT | GPA | Switching | DR | 154 | TS | GPA | General Use | DR | 155 | TS | GPA | General Use | TS | 161 | TS | GMA | AF Amplifier | TS | 162 | TS | GMA | General Use | TS | 163 | TS | GPA | AF Amplifier | TS | 164 | TS | GPA | AF Amplifier | TS | 165 | TS | GPA | AF Amplifier | TS | 166 | TS | GPA | AF Amplifier | GT | 167 | GTC | GPA | Switching | TS | 176 | TS | GPA | AF Power Amp | 200 | TI | GNG | GPA | General Use | 201 | TI | GNG | GPA | General Use | 202 | TI | GNG | GPA | General Use | 206 | TI | GNG | GPA | AF Amplifier | 207 | TI | GNG | GPA | AF Amplifier | 208 | TI | GNG | GPA | AF Amplifier | GT | 210 | GTC | GPA | Switching | 210 | TI | GNG | GPA | AF Amplifier | 220 | TI | GNG | GPA | AF Amplifier | 221 | TI | GNG | GPA | IF Amplifier | GT | 222 | GTC | GPA | General Use | 222 | TI | GNG | GPA | IF Amplifier | 223 | TI | GNG | GPA | Converter | 224 | TI | GNG | GPA | Detector | 225 | TI | GNG | GPA | IF Amplifier | 227 | TI | GNG | GPA | IF Amplifier | 228 | TI | GNG | GPA | Detector | GT | 229 | GTC | GNA | AF Amplifier | 234 | TI | CNA | IF Amplifier | IF Amplifier | 235 | TI | GNA | GPA | Converter | GT | 269 | GTC | GPA | RF Amplifier | 301 | TI | GPA | AF Amplifier | AF Amplifier | 302 | TI | GPA | AF Amplifier | AF Amplifier | 310 | TI | GPA | AF Amplifier | AF Amplifier | 310 | TI | GPA | AF Amplifier | AF Amplifier | | | | | | | | | | | | | | | | | | | | | | | | | | | | | | | | | | | | | | | | | | | | | | | | | | | | | | | | | | | | | | | | | | | | | | | | | | | | | | | | | | | | | | | | | | | | | | | | | | | | | | | | | | | | | | | | | | | | | | | | | | | | | | | | | | | | | | | | | | | | | | | | | | | | | | | | | | | | | | | | | | | | | | | | | | | | | | | | | | | | | | | | | | | | | | | | | | | | | | | | | | | | | | | | | | | | | | | | | | | | | | | | | | | | | | | | | | | | | | | | | | | | | | | | | | | | | | | | | | | | | | | | | | | | | | | | | | | | | | | | | | | | | | | | | | | | | | | | | | | | | | | | | | | | | | | | | | | | | | | | | | | | | | | | | | | | | | | | | | | | | | | | | | | | | | | | | | | | | | | | | | | | | | | | | | | | | | | | | | | | | | | | | | | | | | | | | | | | | | | | | | | | | | | | | | | | | | | | | | | | | | | | | | | | | | | | | | | | | | | | | | | | | | | | | | | | | | | | | | | | | | | | | | | | | | |
| MN | 13C | MOT | GPA | AF Amplifier | ZJ | 13 | GE | GNG | AF Amplifier | CK | 14 | RK | GPA | RF Amplifier | GT | 14 | GTC | GPA | AF Amplifier | RR | 14 | RR | GPA | AF Amplifier | ZJ | 14 | GE | SD | Switching | ZJ | 14H | GTC | GPA | AF Amplifier | OC | 16 | AMP | GPA | AF Power Amp | ZJ | 16 | CK | RR | AF Power Amp | CK | 17 | RR | RR | AF Power Amp | MN | 19 | MOT | GPA | AF Amplifier | GT | 20 | GTC | GPA | AF Amplifier | RR | 20 | RR | GPA | AF Amplifier | GT | 20H | GTC | GPA | AF Amplifier | MN | 21 | MOT | GPA | AF Power Amp | RR | 21 | RR | GPA | AF Amplifier | GT | 24 | GTC | GPA | AF Amplifier | MN | 24 | MOT | GPA | AF Power Amp | MN | 25 | MOT | GPA | AF Power Amp | CK | 26 | RK | MOT | Switching | MN | 26 | MOT | GPA | AF Power Amp | MN | 28 | MOT | GPA | AF Power Amp | MN | 29 | MOT | GPA | AF Power Amp | GT | 34 | GTC | GPA | AF Amplifier | RR | 34 | RR | GPA | AF Amplifier | T | 34A | NU | GPA | AF Amplifier | T | 34B | NU | GPA | AF Amplifier | T | 34C | NU | GPA | AF Amplifier | T | 34D | NU | GPA | AF Amplifier | T | 34E | NU | GPA | AF Amplifier | T | 34F | NU | GPA | AF Amplifier | GT | 34HV | GTC | GPA | Switching | GT | 34S | GTC | GPA | Detector | GT | 38 | GTC | GPA | AF Amplifier | RR | 38 | RR | GPA | AF Amplifier | OC | 44 | AMP | GPA | RF Amplifier | OC | 45 | AMP | GPA | RF Amplifier | OC | 50 | AMP | GC | Oscillator | OC | 51 | AMP | GC | Switching | OC | 65 | AMP | GC | AF Amplifier | CT | 66 | GTC | GPA | Photo Use | OC | 66 | AMP | GPA | AF Amplifier | RR | 66 | RR | SD | AF Amplifier | OC | 70 | AMP | GPA | AF Amplifier | OC | 71 | AMP | GPA | RF Amplifier | OC | 72 | AMP | GMA | AF Amplifier | ZJ | 72 | GE | GNG | VHF Amplifier | OC | 73 | AMP | GPA | AF Amplifier | ZJ | 73 | GE | GNG | AF Amplifier | GT | 74 | GTC | GPA | AF Amplifier | GT | 75 | GTC | GPA | AF Amplifier | OC | 76 | AMP | GPA | Switching | GT | 81 | GTC | GPA | AF Amplifier | GT | 81H | GTC | GPA | AF Amplifier | GT | 81HS | GTC | GPA | AF Amplifier | GT | 82 | GTC | GPA | Switching | GT | 83 | GTC | GPA | Switching | GT | 87 | GTC | GPA | Switching | GT | 88 | GTC | GPA | Switching | DR | 100 | TS | GPA | AF Amplifier | DR | 101 | TS | GPA | AF Amplifier | DR | 102 | TS | GPA | AF Amplifier | GT | 109 | GTC | GPA | AF Amplifier | GT | 122 | GTC | GPA | Switching | GT | 123 | GTC | GPA | Switching | RR | 125 | RR | GPA | AF Amplifier | DR | 126 | TS | GPA | AF Amplifier | DR | 128 | TS | GPA | AF Amplifier | DR | 129 | TS | GPA | General Use | DR | 130 | TS | GPA | General Use | DR | 131 | TS | GPA | General Use | DR | 132 | TS | GPA | General Use | DR | 139 | TS | GPA | General Use | DR | 147 | TS | GPA | AF Power Amp | GT | 153 | GT | GPA | Switching | DR | 154 | TS | GPA | General Use | DR | 155 | TS | GPA | General Use | TS | 161 | TS | GMA | AF Amplifier | TS | 162 | TS | GMA | General Use | TS | 163 | TS | GPA | AF Amplifier | TS | 164 | TS | GPA | AF Amplifier | TS | 165 | TS | GPA | AF Amplifier | TS | 166 | TS | GPA | AF Amplifier | GT | 167 | GTC | GPA | Switching | TS | 176 | TS | GPA | AF Power Amp | 200 | TI | GNG | GPA | General Use | 201 | TI | GNG | GPA | General Use | 202 | TI | GNG | GPA | General Use | 206 | TI | GNG | GPA | AF Amplifier | 207 | TI | GNG | GPA | AF Amplifier | 208 | TI | GNG | GPA | AF Amplifier | GT | 210 | GTC | GPA | Switching | 210 | TI | GNG | GPA | AF Amplifier | 220 | TI | GNG | GPA | AF Amplifier | 221 | TI | GNG | GPA | IF Amplifier | GT | 222 | GTC | GPA | General Use | 222 | TI | GNG | GPA | IF Amplifier | 223 | TI | GNG | GPA | Converter | 224 | TI | GNG | GPA | Detector | 225 | TI | GNG | GPA | IF Amplifier | 227 | TI | GNG | GPA | IF Amplifier | 228 | TI | GNG | GPA | Detector | GT | 229 | GTC | GNA | AF Amplifier | 234 | TI | CNA | IF Amplifier | IF Amplifier | 235 | TI | GNA | GPA | Converter | GT | 269 | GTC | GPA | RF Amplifier | 301 | TI | GPA | AF Amplifier | AF Amplifier | 302 | TI | GPA | AF Amplifier | AF Amplifier | 310 | TI | GPA | AF Amplifier | AF Amplifier | 310 | TI | GPA | AF Amplifier | AF Amplifier | | | | | | | | | | | | | | | | | | | | | | | | | | | | | | | | | | | | | | | | | | | | | | | | | | | | | | | | | | | | | | | | | | | | | | | | | | | | | | | | | | | | | | | | | | | | | | | | | | | | | | | | | | | | | | | | | | | | | | | | | | | | | | | | | | | | | | | | | | | | | | | | | | | | | | | | | | | | | | | | | | | | | | | | | | | | | | | | | | | | | | | | | | | | | | | | | | | | | | | | | | | | | | | | | | | | | | | | | | | | | | | | | | | | | | | | | | | | | | | | | | | | | | | | | | | | | | | | | | | | | | | | | | | | | | | | | | | | | | | | | | | | | | | | | | | | | | | | | | | | | | | | | | | | | | | | | | | | | | | | | | | | | | | | | | | | | | | | | | | | | | | | | | | | | | | | | | | | | | | | | | | | | | | | | | | | | | | | | | | | | | | | | | | | | | | | | | | | | | | | | | | | | | | | | | | | | | | | | | | | | | | | | | | | | | | | | | | | | | | | | | | | | | | | | | | | | | | | | | | | | | | | | | | | | | | | | | | |
| ZJ | 13 | GE | GNG | AF Amplifier | CK | 14 | RK | GPA | RF Amplifier | GT | 14 | GTC | GPA | AF Amplifier | RR | 14 | RR | GPA | AF Amplifier | ZJ | 14 | GE | SD | Switching | ZJ | 14H | GTC | GPA | AF Amplifier | OC | 16 | AMP | GPA | AF Power Amp | ZJ | 16 | CK | RR | AF Power Amp | CK | 17 | RR | RR | AF Power Amp | MN | 19 | MOT | GPA | AF Amplifier | GT | 20 | GTC | GPA | AF Amplifier | RR | 20 | RR | GPA | AF Amplifier | GT | 20H | GTC | GPA | AF Amplifier | MN | 21 | MOT | GPA | AF Power Amp | RR | 21 | RR | GPA | AF Amplifier | GT | 24 | GTC | GPA | AF Amplifier | MN | 24 | MOT | GPA | AF Power Amp | MN | 25 | MOT | GPA | AF Power Amp | CK | 26 | RK | MOT | Switching | MN | 26 | MOT | GPA | AF Power Amp | MN | 28 | MOT | GPA | AF Power Amp | MN | 29 | MOT | GPA | AF Power Amp | GT | 34 | GTC | GPA | AF Amplifier | RR | 34 | RR | GPA | AF Amplifier | T | 34A | NU | GPA | AF Amplifier | T | 34B | NU | GPA | AF Amplifier | T | 34C | NU | GPA | AF Amplifier | T | 34D | NU | GPA | AF Amplifier | T | 34E | NU | GPA | AF Amplifier | T | 34F | NU | GPA | AF Amplifier | GT | 34HV | GTC | GPA | Switching | GT | 34S | GTC | GPA | Detector | GT | 38 | GTC | GPA | AF Amplifier | RR | 38 | RR | GPA | AF Amplifier | OC | 44 | AMP | GPA | RF Amplifier | OC | 45 | AMP | GPA | RF Amplifier | OC | 50 | AMP | GC | Oscillator | OC | 51 | AMP | GC | Switching | OC | 65 | AMP | GC | AF Amplifier | CT | 66 | GTC | GPA | Photo Use | OC | 66 | AMP | GPA | AF Amplifier | RR | 66 | RR | SD | AF Amplifier | OC | 70 | AMP | GPA | AF Amplifier | OC | 71 | AMP | GPA | RF Amplifier | OC | 72 | AMP | GMA | AF Amplifier | ZJ | 72 | GE | GNG | VHF Amplifier | OC | 73 | AMP | GPA | AF Amplifier | ZJ | 73 | GE | GNG | AF Amplifier | GT | 74 | GTC | GPA | AF Amplifier | GT | 75 | GTC | GPA | AF Amplifier | OC | 76 | AMP | GPA | Switching | GT | 81 | GTC | GPA | AF Amplifier | GT | 81H | GTC | GPA | AF Amplifier | GT | 81HS | GTC | GPA | AF Amplifier | GT | 82 | GTC | GPA | Switching | GT | 83 | GTC | GPA | Switching | GT | 87 | GTC | GPA | Switching | GT | 88 | GTC | GPA | Switching | DR | 100 | TS | GPA | AF Amplifier | DR | 101 | TS | GPA | AF Amplifier | DR | 102 | TS | GPA | AF Amplifier | GT | 109 | GTC | GPA | AF Amplifier | GT | 122 | GTC | GPA | Switching | GT | 123 | GTC | GPA | Switching | RR | 125 | RR | GPA | AF Amplifier | DR | 126 | TS | GPA | AF Amplifier | DR | 128 | TS | GPA | AF Amplifier | DR | 129 | TS | GPA | General Use | DR | 130 | TS | GPA | General Use | DR | 131 | TS | GPA | General Use | DR | 132 | TS | GPA | General Use | DR | 139 | TS | GPA | General Use | DR | 147 | TS | GPA | AF Power Amp | GT | 153 | GT | GPA | Switching | DR | 154 | TS | GPA | General Use | DR | 155 | TS | GPA | General Use | TS | 161 | TS | GMA | AF Amplifier | TS | 162 | TS | GMA | General Use | TS | 163 | TS | GPA | AF Amplifier | TS | 164 | TS | GPA | AF Amplifier | TS | 165 | TS | GPA | AF Amplifier | TS | 166 | TS | GPA | AF Amplifier | GT | 167 | GTC | GPA | Switching | TS | 176 | TS | GPA | AF Power Amp | 200 | TI | GNG | GPA | General Use | 201 | TI | GNG | GPA | General Use | 202 | TI | GNG | GPA | General Use | 206 | TI | GNG | GPA | AF Amplifier | 207 | TI | GNG | GPA | AF Amplifier | 208 | TI | GNG | GPA | AF Amplifier | GT | 210 | GTC | GPA | Switching | 210 | TI | GNG | GPA | AF Amplifier | 220 | TI | GNG | GPA | AF Amplifier | 221 | TI | GNG | GPA | IF Amplifier | GT | 222 | GTC | GPA | General Use | 222 | TI | GNG | GPA | IF Amplifier | 223 | TI | GNG | GPA | Converter | 224 | TI | GNG | GPA | Detector | 225 | TI | GNG | GPA | IF Amplifier | 227 | TI | GNG | GPA | IF Amplifier | 228 | TI | GNG | GPA | Detector | GT | 229 | GTC | GNA | AF Amplifier | 234 | TI | CNA | IF Amplifier | IF Amplifier | 235 | TI | GNA | GPA | Converter | GT | 269 | GTC | GPA | RF Amplifier | 301 | TI | GPA | AF Amplifier | AF Amplifier | 302 | TI | GPA | AF Amplifier | AF Amplifier | 310 | TI | GPA | AF Amplifier | AF Amplifier | 310 | TI | GPA | AF Amplifier | AF Amplifier | | | | | | | | | | | | | | | | | | | | | | | | | | | | | | | | | | | | | | | | | | | | | | | | | | | | | | | | | | | | | | | | | | | | | | | | | | | | | | | | | | | | | | | | | | | | | | | | | | | | | | | | | | | | | | | | | | | | | | | | | | | | | | | | | | | | | | | | | | | | | | | | | | | | | | | | | | | | | | | | | | | | | | | | | | | | | | | | | | | | | | | | | | | | | | | | | | | | | | | | | | | | | | | | | | | | | | | | | | | | | | | | | | | | | | | | | | | | | | | | | | | | | | | | | | | | | | | | | | | | | | | | | | | | | | | | | | | | | | | | | | | | | | | | | | | | | | | | | | | | | | | | | | | | | | | | | | | | | | | | | | | | | | | | | | | | | | | | | | | | | | | | | | | | | | | | | | | | | | | | | | | | | | | | | | | | | | | | | | | | | | | | | | | | | | | | | | | | | | | | | | | | | | | | | | | | | | | | | | | | | | | | | | | | | | | | | | | | | | | | | | | | | | | | | | | | | | | | | | | | | | | | | | | | | | | | | | | | | | | | |
| CK | 14 | RK | GPA | RF Amplifier | GT | 14 | GTC | GPA | AF Amplifier | RR | 14 | RR | GPA | AF Amplifier | ZJ | 14 | GE | SD | Switching | ZJ | 14H | GTC | GPA | AF Amplifier | OC | 16 | AMP | GPA | AF Power Amp | ZJ | 16 | CK | RR | AF Power Amp | CK | 17 | RR | RR | AF Power Amp | MN | 19 | MOT | GPA | AF Amplifier | GT | 20 | GTC | GPA | AF Amplifier | RR | 20 | RR | GPA | AF Amplifier | GT | 20H | GTC | GPA | AF Amplifier | MN | 21 | MOT | GPA | AF Power Amp | RR | 21 | RR | GPA | AF Amplifier | GT | 24 | GTC | GPA | AF Amplifier | MN | 24 | MOT | GPA | AF Power Amp | MN | 25 | MOT | GPA | AF Power Amp | CK | 26 | RK | MOT | Switching | MN | 26 | MOT | GPA | AF Power Amp | MN | 28 | MOT | GPA | AF Power Amp | MN | 29 | MOT | GPA | AF Power Amp | GT | 34 | GTC | GPA | AF Amplifier | RR | 34 | RR | GPA | AF Amplifier | T | 34A | NU | GPA | AF Amplifier | T | 34B | NU | GPA | AF Amplifier | T | 34C | NU | GPA | AF Amplifier | T | 34D | NU | GPA | AF Amplifier | T | 34E | NU | GPA | AF Amplifier | T | 34F | NU | GPA | AF Amplifier | GT | 34HV | GTC | GPA | Switching | GT | 34S | GTC | GPA | Detector | GT | 38 | GTC | GPA | AF Amplifier | RR | 38 | RR | GPA | AF Amplifier | OC | 44 | AMP | GPA | RF Amplifier | OC | 45 | AMP | GPA | RF Amplifier | OC | 50 | AMP | GC | Oscillator | OC | 51 | AMP | GC | Switching | OC | 65 | AMP | GC | AF Amplifier | CT | 66 | GTC | GPA | Photo Use | OC | 66 | AMP | GPA | AF Amplifier | RR | 66 | RR | SD | AF Amplifier | OC | 70 | AMP | GPA | AF Amplifier | OC | 71 | AMP | GPA | RF Amplifier | OC | 72 | AMP | GMA | AF Amplifier | ZJ | 72 | GE | GNG | VHF Amplifier | OC | 73 | AMP | GPA | AF Amplifier | ZJ | 73 | GE | GNG | AF Amplifier | GT | 74 | GTC | GPA | AF Amplifier | GT | 75 | GTC | GPA | AF Amplifier | OC | 76 | AMP | GPA | Switching | GT | 81 | GTC | GPA | AF Amplifier | GT | 81H | GTC | GPA | AF Amplifier | GT | 81HS | GTC | GPA | AF Amplifier | GT | 82 | GTC | GPA | Switching | GT | 83 | GTC | GPA | Switching | GT | 87 | GTC | GPA | Switching | GT | 88 | GTC | GPA | Switching | DR | 100 | TS | GPA | AF Amplifier | DR | 101 | TS | GPA | AF Amplifier | DR | 102 | TS | GPA | AF Amplifier | GT | 109 | GTC | GPA | AF Amplifier | GT | 122 | GTC | GPA | Switching | GT | 123 | GTC | GPA | Switching | RR | 125 | RR | GPA | AF Amplifier | DR | 126 | TS | GPA | AF Amplifier | DR | 128 | TS | GPA | AF Amplifier | DR | 129 | TS | GPA | General Use | DR | 130 | TS | GPA | General Use | DR | 131 | TS | GPA | General Use | DR | 132 | TS | GPA | General Use | DR | 139 | TS | GPA | General Use | DR | 147 | TS | GPA | AF Power Amp | GT | 153 | GT | GPA | Switching | DR | 154 | TS | GPA | General Use | DR | 155 | TS | GPA | General Use | TS | 161 | TS | GMA | AF Amplifier | TS | 162 | TS | GMA | General Use | TS | 163 | TS | GPA | AF Amplifier | TS | 164 | TS | GPA | AF Amplifier | TS | 165 | TS | GPA | AF Amplifier | TS | 166 | TS | GPA | AF Amplifier | GT | 167 | GTC | GPA | Switching | TS | 176 | TS | GPA | AF Power Amp | 200 | TI | GNG | GPA | General Use | 201 | TI | GNG | GPA | General Use | 202 | TI | GNG | GPA | General Use | 206 | TI | GNG | GPA | AF Amplifier | 207 | TI | GNG | GPA | AF Amplifier | 208 | TI | GNG | GPA | AF Amplifier | GT | 210 | GTC | GPA | Switching | 210 | TI | GNG | GPA | AF Amplifier | 220 | TI | GNG | GPA | AF Amplifier | 221 | TI | GNG | GPA | IF Amplifier | GT | 222 | GTC | GPA | General Use | 222 | TI | GNG | GPA | IF Amplifier | 223 | TI | GNG | GPA | Converter | 224 | TI | GNG | GPA | Detector | 225 | TI | GNG | GPA | IF Amplifier | 227 | TI | GNG | GPA | IF Amplifier | 228 | TI | GNG | GPA | Detector | GT | 229 | GTC | GNA | AF Amplifier | 234 | TI | CNA | IF Amplifier | IF Amplifier | 235 | TI | GNA | GPA | Converter | GT | 269 | GTC | GPA | RF Amplifier | 301 | TI | GPA | AF Amplifier | AF Amplifier | 302 | TI | GPA | AF Amplifier | AF Amplifier | 310 | TI | GPA | AF Amplifier | AF Amplifier | 310 | TI | GPA | AF Amplifier | AF Amplifier | | | | | | | | | | | | | | | | | | | | | | | | | | | | | | | | | | | | | | | | | | | | | | | | | | | | | | | | | | | | | | | | | | | | | | | | | | | | | | | | | | | | | | | | | | | | | | | | | | | | | | | | | | | | | | | | | | | | | | | | | | | | | | | | | | | | | | | | | | | | | | | | | | | | | | | | | | | | | | | | | | | | | | | | | | | | | | | | | | | | | | | | | | | | | | | | | | | | | | | | | | | | | | | | | | | | | | | | | | | | | | | | | | | | | | | | | | | | | | | | | | | | | | | | | | | | | | | | | | | | | | | | | | | | | | | | | | | | | | | | | | | | | | | | | | | | | | | | | | | | | | | | | | | | | | | | | | | | | | | | | | | | | | | | | | | | | | | | | | | | | | | | | | | | | | | | | | | | | | | | | | | | | | | | | | | | | | | | | | | | | | | | | | | | | | | | | | | | | | | | | | | | | | | | | | | | | | | | | | | | | | | | | | | | | | | | | | | | | | | | | | | | | | | | | | | | | | | | | | | | | | | | | | | | | | | | | | | | | | | | | | | | | |
| GT | 14 | GTC | GPA | AF Amplifier | RR | 14 | RR | GPA | AF Amplifier | ZJ | 14 | GE | SD | Switching | ZJ | 14H | GTC | GPA | AF Amplifier | OC | 16 | AMP | GPA | AF Power Amp | ZJ | 16 | CK | RR | AF Power Amp | CK | 17 | RR | RR | AF Power Amp | MN | 19 | MOT | GPA | AF Amplifier | GT | 20 | GTC | GPA | AF Amplifier | RR | 20 | RR | GPA | AF Amplifier | GT | 20H | GTC | GPA | AF Amplifier | MN | 21 | MOT | GPA | AF Power Amp | RR | 21 | RR | GPA | AF Amplifier | GT | 24 | GTC | GPA | AF Amplifier | MN | 24 | MOT | GPA | AF Power Amp | MN | 25 | MOT | GPA | AF Power Amp | CK | 26 | RK | MOT | Switching | MN | 26 | MOT | GPA | AF Power Amp | MN | 28 | MOT | GPA | AF Power Amp | MN | 29 | MOT | GPA | AF Power Amp | GT | 34 | GTC | GPA | AF Amplifier | RR | 34 | RR | GPA | AF Amplifier | T | 34A | NU | GPA | AF Amplifier | T | 34B | NU | GPA | AF Amplifier | T | 34C | NU | GPA | AF Amplifier | T | 34D | NU | GPA | AF Amplifier | T | 34E | NU | GPA | AF Amplifier | T | 34F | NU | GPA | AF Amplifier | GT | 34HV | GTC | GPA | Switching | GT | 34S | GTC | GPA | Detector | GT | 38 | GTC | GPA | AF Amplifier | RR | 38 | RR | GPA | AF Amplifier | OC | 44 | AMP | GPA | RF Amplifier | OC | 45 | AMP | GPA | RF Amplifier | OC | 50 | AMP | GC | Oscillator | OC | 51 | AMP | GC | Switching | OC | 65 | AMP | GC | AF Amplifier | CT | 66 | GTC | GPA | Photo Use | OC | 66 | AMP | GPA | AF Amplifier | RR | 66 | RR | SD | AF Amplifier | OC | 70 | AMP | GPA | AF Amplifier | OC | 71 | AMP | GPA | RF Amplifier | OC | 72 | AMP | GMA | AF Amplifier | ZJ | 72 | GE | GNG | VHF Amplifier | OC | 73 | AMP | GPA | AF Amplifier | ZJ | 73 | GE | GNG | AF Amplifier | GT | 74 | GTC | GPA | AF Amplifier | GT | 75 | GTC | GPA | AF Amplifier | OC | 76 | AMP | GPA | Switching | GT | 81 | GTC | GPA | AF Amplifier | GT | 81H | GTC | GPA | AF Amplifier | GT | 81HS | GTC | GPA | AF Amplifier | GT | 82 | GTC | GPA | Switching | GT | 83 | GTC | GPA | Switching | GT | 87 | GTC | GPA | Switching | GT | 88 | GTC | GPA | Switching | DR | 100 | TS | GPA | AF Amplifier | DR | 101 | TS | GPA | AF Amplifier | DR | 102 | TS | GPA | AF Amplifier | GT | 109 | GTC | GPA | AF Amplifier | GT | 122 | GTC | GPA | Switching | GT | 123 | GTC | GPA | Switching | RR | 125 | RR | GPA | AF Amplifier | DR | 126 | TS | GPA | AF Amplifier | DR | 128 | TS | GPA | AF Amplifier | DR | 129 | TS | GPA | General Use | DR | 130 | TS | GPA | General Use | DR | 131 | TS | GPA | General Use | DR | 132 | TS | GPA | General Use | DR | 139 | TS | GPA | General Use | DR | 147 | TS | GPA | AF Power Amp | GT | 153 | GT | GPA | Switching | DR | 154 | TS | GPA | General Use | DR | 155 | TS | GPA | General Use | TS | 161 | TS | GMA | AF Amplifier | TS | 162 | TS | GMA | General Use | TS | 163 | TS | GPA | AF Amplifier | TS | 164 | TS | GPA | AF Amplifier | TS | 165 | TS | GPA | AF Amplifier | TS | 166 | TS | GPA | AF Amplifier | GT | 167 | GTC | GPA | Switching | TS | 176 | TS | GPA | AF Power Amp | 200 | TI | GNG | GPA | General Use | 201 | TI | GNG | GPA | General Use | 202 | TI | GNG | GPA | General Use | 206 | TI | GNG | GPA | AF Amplifier | 207 | TI | GNG | GPA | AF Amplifier | 208 | TI | GNG | GPA | AF Amplifier | GT | 210 | GTC | GPA | Switching | 210 | TI | GNG | GPA | AF Amplifier | 220 | TI | GNG | GPA | AF Amplifier | 221 | TI | GNG | GPA | IF Amplifier | GT | 222 | GTC | GPA | General Use | 222 | TI | GNG | GPA | IF Amplifier | 223 | TI | GNG | GPA | Converter | 224 | TI | GNG | GPA | Detector | 225 | TI | GNG | GPA | IF Amplifier | 227 | TI | GNG | GPA | IF Amplifier | 228 | TI | GNG | GPA | Detector | GT | 229 | GTC | GNA | AF Amplifier | 234 | TI | CNA | IF Amplifier | IF Amplifier | 235 | TI | GNA | GPA | Converter | GT | 269 | GTC | GPA | RF Amplifier | 301 | TI | GPA | AF Amplifier | AF Amplifier | 302 | TI | GPA | AF Amplifier | AF Amplifier | 310 | TI | GPA | AF Amplifier | AF Amplifier | 310 | TI | GPA | AF Amplifier | AF Amplifier | | | | | | | | | | | | | | | | | | | | | | | | | | | | | | | | | | | | | | | | | | | | | | | | | | | | | | | | | | | | | | | | | | | | | | | | | | | | | | | | | | | | | | | | | | | | | | | | | | | | | | | | | | | | | | | | | | | | | | | | | | | | | | | | | | | | | | | | | | | | | | | | | | | | | | | | | | | | | | | | | | | | | | | | | | | | | | | | | | | | | | | | | | | | | | | | | | | | | | | | | | | | | | | | | | | | | | | | | | | | | | | | | | | | | | | | | | | | | | | | | | | | | | | | | | | | | | | | | | | | | | | | | | | | | | | | | | | | | | | | | | | | | | | | | | | | | | | | | | | | | | | | | | | | | | | | | | | | | | | | | | | | | | | | | | | | | | | | | | | | | | | | | | | | | | | | | | | | | | | | | | | | | | | | | | | | | | | | | | | | | | | | | | | | | | | | | | | | | | | | | | | | | | | | | | | | | | | | | | | | | | | | | | | | | | | | | | | | | | | | | | | | | | | | | | | | | | | | | | | | | | | | | | | | | | | | | | | | | | | | | | | | | | | | | | |
| RR | 14 | RR | GPA | AF Amplifier | ZJ | 14 | GE | SD | Switching | ZJ | 14H | GTC | GPA | AF Amplifier | OC | 16 | AMP | GPA | AF Power Amp | ZJ | 16 | CK | RR | AF Power Amp | CK | 17 | RR | RR | AF Power Amp | MN | 19 | MOT | GPA | AF Amplifier | GT | 20 | GTC | GPA | AF Amplifier | RR | 20 | RR | GPA | AF Amplifier | GT | 20H | GTC | GPA | AF Amplifier | MN | 21 | MOT | GPA | AF Power Amp | RR | 21 | RR | GPA | AF Amplifier | GT | 24 | GTC | GPA | AF Amplifier | MN | 24 | MOT | GPA | AF Power Amp | MN | 25 | MOT | GPA | AF Power Amp | CK | 26 | RK | MOT | Switching | MN | 26 | MOT | GPA | AF Power Amp | MN | 28 | MOT | GPA | AF Power Amp | MN | 29 | MOT | GPA | AF Power Amp | GT | 34 | GTC | GPA | AF Amplifier | RR | 34 | RR | GPA | AF Amplifier | T | 34A | NU | GPA | AF Amplifier | T | 34B | NU | GPA | AF Amplifier | T | 34C | NU | GPA | AF Amplifier | T | 34D | NU | GPA | AF Amplifier | T | 34E | NU | GPA | AF Amplifier | T | 34F | NU | GPA | AF Amplifier | GT | 34HV | GTC | GPA | Switching | GT | 34S | GTC | GPA | Detector | GT | 38 | GTC | GPA | AF Amplifier | RR | 38 | RR | GPA | AF Amplifier | OC | 44 | AMP | GPA | RF Amplifier | OC | 45 | AMP | GPA | RF Amplifier | OC | 50 | AMP | GC | Oscillator | OC | 51 | AMP | GC | Switching | OC | 65 | AMP | GC | AF Amplifier | CT | 66 | GTC | GPA | Photo Use | OC | 66 | AMP | GPA | AF Amplifier | RR | 66 | RR | SD | AF Amplifier | OC | 70 | AMP | GPA | AF Amplifier | OC | 71 | AMP | GPA | RF Amplifier | OC | 72 | AMP | GMA | AF Amplifier | ZJ | 72 | GE | GNG | VHF Amplifier | OC | 73 | AMP | GPA | AF Amplifier | ZJ | 73 | GE | GNG | AF Amplifier | GT | 74 | GTC | GPA | AF Amplifier | GT | 75 | GTC | GPA | AF Amplifier | OC | 76 | AMP | GPA | Switching | GT | 81 | GTC | GPA | AF Amplifier | GT | 81H | GTC | GPA | AF Amplifier | GT | 81HS | GTC | GPA | AF Amplifier | GT | 82 | GTC | GPA | Switching | GT | 83 | GTC | GPA | Switching | GT | 87 | GTC | GPA | Switching | GT | 88 | GTC | GPA | Switching | DR | 100 | TS | GPA | AF Amplifier | DR | 101 | TS | GPA | AF Amplifier | DR | 102 | TS | GPA | AF Amplifier | GT | 109 | GTC | GPA | AF Amplifier | GT | 122 | GTC | GPA | Switching | GT | 123 | GTC | GPA | Switching | RR | 125 | RR | GPA | AF Amplifier | DR | 126 | TS | GPA | AF Amplifier | DR | 128 | TS | GPA | AF Amplifier | DR | 129 | TS | GPA | General Use | DR | 130 | TS | GPA | General Use | DR | 131 | TS | GPA | General Use | DR | 132 | TS | GPA | General Use | DR | 139 | TS | GPA | General Use | DR | 147 | TS | GPA | AF Power Amp | GT | 153 | GT | GPA | Switching | DR | 154 | TS | GPA | General Use | DR | 155 | TS | GPA | General Use | TS | 161 | TS | GMA | AF Amplifier | TS | 162 | TS | GMA | General Use | TS | 163 | TS | GPA | AF Amplifier | TS | 164 | TS | GPA | AF Amplifier | TS | 165 | TS | GPA | AF Amplifier | TS | 166 | TS | GPA | AF Amplifier | GT | 167 | GTC | GPA | Switching | TS | 176 | TS | GPA | AF Power Amp | 200 | TI | GNG | GPA | General Use | 201 | TI | GNG | GPA | General Use | 202 | TI | GNG | GPA | General Use | 206 | TI | GNG | GPA | AF Amplifier | 207 | TI | GNG | GPA | AF Amplifier | 208 | TI | GNG | GPA | AF Amplifier | GT | 210 | GTC | GPA | Switching | 210 | TI | GNG | GPA | AF Amplifier | 220 | TI | GNG | GPA | AF Amplifier | 221 | TI | GNG | GPA | IF Amplifier | GT | 222 | GTC | GPA | General Use | 222 | TI | GNG | GPA | IF Amplifier | 223 | TI | GNG | GPA | Converter | 224 | TI | GNG | GPA | Detector | 225 | TI | GNG | GPA | IF Amplifier | 227 | TI | GNG | GPA | IF Amplifier | 228 | TI | GNG | GPA | Detector | GT | 229 | GTC | GNA | AF Amplifier | 234 | TI | CNA | IF Amplifier | IF Amplifier | 235 | TI | GNA | GPA | Converter | GT | 269 | GTC | GPA | RF Amplifier | 301 | TI | GPA | AF Amplifier | AF Amplifier | 302 | TI | GPA | AF Amplifier | AF Amplifier | 310 | TI | GPA | AF Amplifier | AF Amplifier | 310 | TI | GPA | AF Amplifier | AF Amplifier | | | | | | | | | | | | | | | | | | | | | | | | | | | | | | | | | | | | | | | | | | | | | | | | | | | | | | | | | | | | | | | | | | | | | | | | | | | | | | | | | | | | | | | | | | | | | | | | | | | | | | | | | | | | | | | | | | | | | | | | | | | | | | | | | | | | | | | | | | | | | | | | | | | | | | | | | | | | | | | | | | | | | | | | | | | | | | | | | | | | | | | | | | | | | | | | | | | | | | | | | | | | | | | | | | | | | | | | | | | | | | | | | | | | | | | | | | | | | | | | | | | | | | | | | | | | | | | | | | | | | | | | | | | | | | | | | | | | | | | | | | | | | | | | | | | | | | | | | | | | | | | | | | | | | | | | | | | | | | | | | | | | | | | | | | | | | | | | | | | | | | | | | | | | | | | | | | | | | | | | | | | | | | | | | | | | | | | | | | | | | | | | | | | | | | | | | | | | | | | | | | | | | | | | | | | | | | | | | | | | | | | | | | | | | | | | | | | | | | | | | | | | | | | | | | | | | | | | | | | | | | | | | | | | | | | | | | | | | | | | | | | | | | | | | | | | | | | |
| ZJ | 14 | GE | SD | Switching | ZJ | 14H | GTC | GPA | AF Amplifier | OC | 16 | AMP | GPA | AF Power Amp | ZJ | 16 | CK | RR | AF Power Amp | CK | 17 | RR | RR | AF Power Amp | MN | 19 | MOT | GPA | AF Amplifier | GT | 20 | GTC | GPA | AF Amplifier | RR | 20 | RR | GPA | AF Amplifier | GT | 20H | GTC | GPA | AF Amplifier | MN | 21 | MOT | GPA | AF Power Amp | RR | 21 | RR | GPA | AF Amplifier | GT | 24 | GTC | GPA | AF Amplifier | MN | 24 | MOT | GPA | AF Power Amp | MN | 25 | MOT | GPA | AF Power Amp | CK | 26 | RK | MOT | Switching | MN | 26 | MOT | GPA | AF Power Amp | MN | 28 | MOT | GPA | AF Power Amp | MN | 29 | MOT | GPA | AF Power Amp | GT | 34 | GTC | GPA | AF Amplifier | RR | 34 | RR | GPA | AF Amplifier | T | 34A | NU | GPA | AF Amplifier | T | 34B | NU | GPA | AF Amplifier | T | 34C | NU | GPA | AF Amplifier | T | 34D | NU | GPA | AF Amplifier | T | 34E | NU | GPA | AF Amplifier | T | 34F | NU | GPA | AF Amplifier | GT | 34HV | GTC | GPA | Switching | GT | 34S | GTC | GPA | Detector | GT | 38 | GTC | GPA | AF Amplifier | RR | 38 | RR | GPA | AF Amplifier | OC | 44 | AMP | GPA | RF Amplifier | OC | 45 | AMP | GPA | RF Amplifier | OC | 50 | AMP | GC | Oscillator | OC | 51 | AMP | GC | Switching | OC | 65 | AMP | GC | AF Amplifier | CT | 66 | GTC | GPA | Photo Use | OC | 66 | AMP | GPA | AF Amplifier | RR | 66 | RR | SD | AF Amplifier | OC | 70 | AMP | GPA | AF Amplifier | OC | 71 | AMP | GPA | RF Amplifier | OC | 72 | AMP | GMA | AF Amplifier | ZJ | 72 | GE | GNG | VHF Amplifier | OC | 73 | AMP | GPA | AF Amplifier | ZJ | 73 | GE | GNG | AF Amplifier | GT | 74 | GTC | GPA | AF Amplifier | GT | 75 | GTC | GPA | AF Amplifier | OC | 76 | AMP | GPA | Switching | GT | 81 | GTC | GPA | AF Amplifier | GT | 81H | GTC | GPA | AF Amplifier | GT | 81HS | GTC | GPA | AF Amplifier | GT | 82 | GTC | GPA | Switching | GT | 83 | GTC | GPA | Switching | GT | 87 | GTC | GPA | Switching | GT | 88 | GTC | GPA | Switching | DR | 100 | TS | GPA | AF Amplifier | DR | 101 | TS | GPA | AF Amplifier | DR | 102 | TS | GPA | AF Amplifier | GT | 109 | GTC | GPA | AF Amplifier | GT | 122 | GTC | GPA | Switching | GT | 123 | GTC | GPA | Switching | RR | 125 | RR | GPA | AF Amplifier | DR | 126 | TS | GPA | AF Amplifier | DR | 128 | TS | GPA | AF Amplifier | DR | 129 | TS | GPA | General Use | DR | 130 | TS | GPA | General Use | DR | 131 | TS | GPA | General Use | DR | 132 | TS | GPA | General Use | DR | 139 | TS | GPA | General Use | DR | 147 | TS | GPA | AF Power Amp | GT | 153 | GT | GPA | Switching | DR | 154 | TS | GPA | General Use | DR | 155 | TS | GPA | General Use | TS | 161 | TS | GMA | AF Amplifier | TS | 162 | TS | GMA | General Use | TS | 163 | TS | GPA | AF Amplifier | TS | 164 | TS | GPA | AF Amplifier | TS | 165 | TS | GPA | AF Amplifier | TS | 166 | TS | GPA | AF Amplifier | GT | 167 | GTC | GPA | Switching | TS | 176 | TS | GPA | AF Power Amp | 200 | TI | GNG | GPA | General Use | 201 | TI | GNG | GPA | General Use | 202 | TI | GNG | GPA | General Use | 206 | TI | GNG | GPA | AF Amplifier | 207 | TI | GNG | GPA | AF Amplifier | 208 | TI | GNG | GPA | AF Amplifier | GT | 210 | GTC | GPA | Switching | 210 | TI | GNG | GPA | AF Amplifier | 220 | TI | GNG | GPA | AF Amplifier | 221 | TI | GNG | GPA | IF Amplifier | GT | 222 | GTC | GPA | General Use | 222 | TI | GNG | GPA | IF Amplifier | 223 | TI | GNG | GPA | Converter | 224 | TI | GNG | GPA | Detector | 225 | TI | GNG | GPA | IF Amplifier | 227 | TI | GNG | GPA | IF Amplifier | 228 | TI | GNG | GPA | Detector | GT | 229 | GTC | GNA | AF Amplifier | 234 | TI | CNA | IF Amplifier | IF Amplifier | 235 | TI | GNA | GPA | Converter | GT | 269 | GTC | GPA | RF Amplifier | 301 | TI | GPA | AF Amplifier | AF Amplifier | 302 | TI | GPA | AF Amplifier | AF Amplifier | 310 | TI | GPA | AF Amplifier | AF Amplifier | 310 | TI | GPA | AF Amplifier | AF Amplifier | | | | | | | | | | | | | | | | | | | | | | | | | | | | | | | | | | | | | | | | | | | | | | | | | | | | | | | | | | | | | | | | | | | | | | | | | | | | | | | | | | | | | | | | | | | | | | | | | | | | | | | | | | | | | | | | | | | | | | | | | | | | | | | | | | | | | | | | | | | | | | | | | | | | | | | | | | | | | | | | | | | | | | | | | | | | | | | | | | | | | | | | | | | | | | | | | | | | | | | | | | | | | | | | | | | | | | | | | | | | | | | | | | | | | | | | | | | | | | | | | | | | | | | | | | | | | | | | | | | | | | | | | | | | | | | | | | | | | | | | | | | | | | | | | | | | | | | | | | | | | | | | | | | | | | | | | | | | | | | | | | | | | | | | | | | | | | | | | | | | | | | | | | | | | | | | | | | | | | | | | | | | | | | | | | | | | | | | | | | | | | | | | | | | | | | | | | | | | | | | | | | | | | | | | | | | | | | | | | | | | | | | | | | | | | | | | | | | | | | | | | | | | | | | | | | | | | | | | | | | | | | | | | | | | | | | | | | | | | | | | | | | | | | | | | | | | | | | | | | | |
| ZJ | 14H | GTC | GPA | AF Amplifier | OC | 16 | AMP | GPA | AF Power Amp | ZJ | 16 | CK | RR | AF Power Amp | CK | 17 | RR | RR | AF Power Amp | MN | 19 | MOT | GPA | AF Amplifier | GT | 20 | GTC | GPA | AF Amplifier | RR | 20 | RR | GPA | AF Amplifier | GT | 20H | GTC | GPA | AF Amplifier | MN | 21 | MOT | GPA | AF Power Amp | RR | 21 | RR | GPA | AF Amplifier | GT | 24 | GTC | GPA | AF Amplifier | MN | 24 | MOT | GPA | AF Power Amp | MN | 25 | MOT | GPA | AF Power Amp | CK | 26 | RK | MOT | Switching | MN | 26 | MOT | GPA | AF Power Amp | MN | 28 | MOT | GPA | AF Power Amp | MN | 29 | MOT | GPA | AF Power Amp | GT | 34 | GTC | GPA | AF Amplifier | RR | 34 | RR | GPA | AF Amplifier | T | 34A | NU | GPA | AF Amplifier | T | 34B | NU | GPA | AF Amplifier | T | 34C | NU | GPA | AF Amplifier | T | 34D | NU | GPA | AF Amplifier | T | 34E | NU | GPA | AF Amplifier | T | 34F | NU | GPA | AF Amplifier | GT | 34HV | GTC | GPA | Switching | GT | 34S | GTC | GPA | Detector | GT | 38 | GTC | GPA | AF Amplifier | RR | 38 | RR | GPA | AF Amplifier | OC | 44 | AMP | GPA | RF Amplifier | OC | 45 | AMP | GPA | RF Amplifier | OC | 50 | AMP | GC | Oscillator | OC | 51 | AMP | GC | Switching | OC | 65 | AMP | GC | AF Amplifier | CT | 66 | GTC | GPA | Photo Use | OC | 66 | AMP | GPA | AF Amplifier | RR | 66 | RR | SD | AF Amplifier | OC | 70 | AMP | GPA | AF Amplifier | OC | 71 | AMP | GPA | RF Amplifier | OC | 72 | AMP | GMA | AF Amplifier | ZJ | 72 | GE | GNG | VHF Amplifier | OC | 73 | AMP | GPA | AF Amplifier | ZJ | 73 | GE | GNG | AF Amplifier | GT | 74 | GTC | GPA | AF Amplifier | GT | 75 | GTC | GPA | AF Amplifier | OC | 76 | AMP | GPA | Switching | GT | 81 | GTC | GPA | AF Amplifier | GT | 81H | GTC | GPA | AF Amplifier | GT | 81HS | GTC | GPA | AF Amplifier | GT | 82 | GTC | GPA | Switching | GT | 83 | GTC | GPA | Switching | GT | 87 | GTC | GPA | Switching | GT | 88 | GTC | GPA | Switching | DR | 100 | TS | GPA | AF Amplifier | DR | 101 | TS | GPA | AF Amplifier | DR | 102 | TS | GPA | AF Amplifier | GT | 109 | GTC | GPA | AF Amplifier | GT | 122 | GTC | GPA | Switching | GT | 123 | GTC | GPA | Switching | RR | 125 | RR | GPA | AF Amplifier | DR | 126 | TS | GPA | AF Amplifier | DR | 128 | TS | GPA | AF Amplifier | DR | 129 | TS | GPA | General Use | DR | 130 | TS | GPA | General Use | DR | 131 | TS | GPA | General Use | DR | 132 | TS | GPA | General Use | DR | 139 | TS | GPA | General Use | DR | 147 | TS | GPA | AF Power Amp | GT | 153 | GT | GPA | Switching | DR | 154 | TS | GPA | General Use | DR | 155 | TS | GPA | General Use | TS | 161 | TS | GMA | AF Amplifier | TS | 162 | TS | GMA | General Use | TS | 163 | TS | GPA | AF Amplifier | TS | 164 | TS | GPA | AF Amplifier | TS | 165 | TS | GPA | AF Amplifier | TS | 166 | TS | GPA | AF Amplifier | GT | 167 | GTC | GPA | Switching | TS | 176 | TS | GPA | AF Power Amp | 200 | TI | GNG | GPA | General Use | 201 | TI | GNG | GPA | General Use | 202 | TI | GNG | GPA | General Use | 206 | TI | GNG | GPA | AF Amplifier | 207 | TI | GNG | GPA | AF Amplifier | 208 | TI | GNG | GPA | AF Amplifier | GT | 210 | GTC | GPA | Switching | 210 | TI | GNG | GPA | AF Amplifier | 220 | TI | GNG | GPA | AF Amplifier | 221 | TI | GNG | GPA | IF Amplifier | GT | 222 | GTC | GPA | General Use | 222 | TI | GNG | GPA | IF Amplifier | 223 | TI | GNG | GPA | Converter | 224 | TI | GNG | GPA | Detector | 225 | TI | GNG | GPA | IF Amplifier | 227 | TI | GNG | GPA | IF Amplifier | 228 | TI | GNG | GPA | Detector | GT | 229 | GTC | GNA | AF Amplifier | 234 | TI | CNA | IF Amplifier | IF Amplifier | 235 | TI | GNA | GPA | Converter | GT | 269 | GTC | GPA | RF Amplifier | 301 | TI | GPA | AF Amplifier | AF Amplifier | 302 | TI | GPA | AF Amplifier | AF Amplifier | 310 | TI | GPA | AF Amplifier | AF Amplifier | 310 | TI | GPA | AF Amplifier | AF Amplifier | | | | | | | | | | | | | | | | | | | | | | | | | | | | | | | | | | | | | | | | | | | | | | | | | | | | | | | | | | | | | | | | | | | | | | | | | | | | | | | | | | | | | | | | | | | | | | | | | | | | | | | | | | | | | | | | | | | | | | | | | | | | | | | | | | | | | | | | | | | | | | | | | | | | | | | | | | | | | | | | | | | | | | | | | | | | | | | | | | | | | | | | | | | | | | | | | | | | | | | | | | | | | | | | | | | | | | | | | | | | | | | | | | | | | | | | | | | | | | | | | | | | | | | | | | | | | | | | | | | | | | | | | | | | | | | | | | | | | | | | | | | | | | | | | | | | | | | | | | | | | | | | | | | | | | | | | | | | | | | | | | | | | | | | | | | | | | | | | | | | | | | | | | | | | | | | | | | | | | | | | | | | | | | | | | | | | | | | | | | | | | | | | | | | | | | | | | | | | | | | | | | | | | | | | | | | | | | | | | | | | | | | | | | | | | | | | | | | | | | | | | | | | | | | | | | | | | | | | | | | | | | | | | | | | | | | | | | | | | | | | | | | | | | | | | | | | | | | | | | | | | | | | |
| OC | 16 | AMP | GPA | AF Power Amp | ZJ | 16 | CK | RR | AF Power Amp | CK | 17 | RR | RR | AF Power Amp | MN | 19 | MOT | GPA | AF Amplifier | GT | 20 | GTC | GPA | AF Amplifier | RR | 20 | RR | GPA | AF Amplifier | GT | 20H | GTC | GPA | AF Amplifier | MN | 21 | MOT | GPA | AF Power Amp | RR | 21 | RR | GPA | AF Amplifier | GT | 24 | GTC | GPA | AF Amplifier | MN | 24 | MOT | GPA | AF Power Amp | MN | 25 | MOT | GPA | AF Power Amp | CK | 26 | RK | MOT | Switching | MN | 26 | MOT | GPA | AF Power Amp | MN | 28 | MOT | GPA | AF Power Amp | MN | 29 | MOT | GPA | AF Power Amp | GT | 34 | GTC | GPA | AF Amplifier | RR | 34 | RR | GPA | AF Amplifier | T | 34A | NU | GPA | AF Amplifier | T | 34B | NU | GPA | AF Amplifier | T | 34C | NU | GPA | AF Amplifier | T | 34D | NU | GPA | AF Amplifier | T | 34E | NU | GPA | AF Amplifier | T | 34F | NU | GPA | AF Amplifier | GT | 34HV | GTC | GPA | Switching | GT | 34S | GTC | GPA | Detector | GT | 38 | GTC | GPA | AF Amplifier | RR | 38 | RR | GPA | AF Amplifier | OC | 44 | AMP | GPA | RF Amplifier | OC | 45 | AMP | GPA | RF Amplifier | OC | 50 | AMP | GC | Oscillator | OC | 51 | AMP | GC | Switching | OC | 65 | AMP | GC | AF Amplifier | CT | 66 | GTC | GPA | Photo Use | OC | 66 | AMP | GPA | AF Amplifier | RR | 66 | RR | SD | AF Amplifier | OC | 70 | AMP | GPA | AF Amplifier | OC | 71 | AMP | GPA | RF Amplifier | OC | 72 | AMP | GMA | AF Amplifier | ZJ | 72 | GE | GNG | VHF Amplifier | OC | 73 | AMP | GPA | AF Amplifier | ZJ | 73 | GE | GNG | AF Amplifier | GT | 74 | GTC | GPA | AF Amplifier | GT | 75 | GTC | GPA | AF Amplifier | OC | 76 | AMP | GPA | Switching | GT | 81 | GTC | GPA | AF Amplifier | GT | 81H | GTC | GPA | AF Amplifier | GT | 81HS | GTC | GPA | AF Amplifier | GT | 82 | GTC | GPA | Switching | GT | 83 | GTC | GPA | Switching | GT | 87 | GTC | GPA | Switching | GT | 88 | GTC | GPA | Switching | DR | 100 | TS | GPA | AF Amplifier | DR | 101 | TS | GPA | AF Amplifier | DR | 102 | TS | GPA | AF Amplifier | GT | 109 | GTC | GPA | AF Amplifier | GT | 122 | GTC | GPA | Switching | GT | 123 | GTC | GPA | Switching | RR | 125 | RR | GPA | AF Amplifier | DR | 126 | TS | GPA | AF Amplifier | DR | 128 | TS | GPA | AF Amplifier | DR | 129 | TS | GPA | General Use | DR | 130 | TS | GPA | General Use | DR | 131 | TS | GPA | General Use | DR | 132 | TS | GPA | General Use | DR | 139 | TS | GPA | General Use | DR | 147 | TS | GPA | AF Power Amp | GT | 153 | GT | GPA | Switching | DR | 154 | TS | GPA | General Use | DR | 155 | TS | GPA | General Use | TS | 161 | TS | GMA | AF Amplifier | TS | 162 | TS | GMA | General Use | TS | 163 | TS | GPA | AF Amplifier | TS | 164 | TS | GPA | AF Amplifier | TS | 165 | TS | GPA | AF Amplifier | TS | 166 | TS | GPA | AF Amplifier | GT | 167 | GTC | GPA | Switching | TS | 176 | TS | GPA | AF Power Amp | 200 | TI | GNG | GPA | General Use | 201 | TI | GNG | GPA | General Use | 202 | TI | GNG | GPA | General Use | 206 | TI | GNG | GPA | AF Amplifier | 207 | TI | GNG | GPA | AF Amplifier | 208 | TI | GNG | GPA | AF Amplifier | GT | 210 | GTC | GPA | Switching | 210 | TI | GNG | GPA | AF Amplifier | 220 | TI | GNG | GPA | AF Amplifier | 221 | TI | GNG | GPA | IF Amplifier | GT | 222 | GTC | GPA | General Use | 222 | TI | GNG | GPA | IF Amplifier | 223 | TI | GNG | GPA | Converter | 224 | TI | GNG | GPA | Detector | 225 | TI | GNG | GPA | IF Amplifier | 227 | TI | GNG | GPA | IF Amplifier | 228 | TI | GNG | GPA | Detector | GT | 229 | GTC | GNA | AF Amplifier | 234 | TI | CNA | IF Amplifier | IF Amplifier | 235 | TI | GNA | GPA | Converter | GT | 269 | GTC | GPA | RF Amplifier | 301 | TI | GPA | AF Amplifier | AF Amplifier | 302 | TI | GPA | AF Amplifier | AF Amplifier | 310 | TI | GPA | AF Amplifier | AF Amplifier | 310 | TI | GPA | AF Amplifier | AF Amplifier | | | | | | | | | | | | | | | | | | | | | | | | | | | | | | | | | | | | | | | | | | | | | | | | | | | | | | | | | | | | | | | | | | | | | | | | | | | | | | | | | | | | | | | | | | | | | | | | | | | | | | | | | | | | | | | | | | | | | | | | | | | | | | | | | | | | | | | | | | | | | | | | | | | | | | | | | | | | | | | | | | | | | | | | | | | | | | | | | | | | | | | | | | | | | | | | | | | | | | | | | | | | | | | | | | | | | | | | | | | | | | | | | | | | | | | | | | | | | | | | | | | | | | | | | | | | | | | | | | | | | | | | | | | | | | | | | | | | | | | | | | | | | | | | | | | | | | | | | | | | | | | | | | | | | | | | | | | | | | | | | | | | | | | | | | | | | | | | | | | | | | | | | | | | | | | | | | | | | | | | | | | | | | | | | | | | | | | | | | | | | | | | | | | | | | | | | | | | | | | | | | | | | | | | | | | | | | | | | | | | | | | | | | | | | | | | | | | | | | | | | | | | | | | | | | | | | | | | | | | | | | | | | | | | | | | | | | | | | | | | | | | | | | | | | | | | | | | | | | | | | | | | | | | | | | |
| ZJ | 16 | CK | RR | AF Power Amp | CK | 17 | RR | RR | AF Power Amp | MN | 19 | MOT | GPA | AF Amplifier | GT | 20 | GTC | GPA | AF Amplifier | RR | 20 | RR | GPA | AF Amplifier | GT | 20H | GTC | GPA | AF Amplifier | MN | 21 | MOT | GPA | AF Power Amp | RR | 21 | RR | GPA | AF Amplifier | GT | 24 | GTC | GPA | AF Amplifier | MN | 24 | MOT | GPA | AF Power Amp | MN | 25 | MOT | GPA | AF Power Amp | CK | 26 | RK | MOT | Switching | MN | 26 | MOT | GPA | AF Power Amp | MN | 28 | MOT | GPA | AF Power Amp | MN | 29 | MOT | GPA | AF Power Amp | GT | 34 | GTC | GPA | AF Amplifier | RR | 34 | RR | GPA | AF Amplifier | T | 34A | NU | GPA | AF Amplifier | T | 34B | NU | GPA | AF Amplifier | T | 34C | NU | GPA | AF Amplifier | T | 34D | NU | GPA | AF Amplifier | T | 34E | NU | GPA | AF Amplifier | T | 34F | NU | GPA | AF Amplifier | GT | 34HV | GTC | GPA | Switching | GT | 34S | GTC | GPA | Detector | GT | 38 | GTC | GPA | AF Amplifier | RR | 38 | RR | GPA | AF Amplifier | OC | 44 | AMP | GPA | RF Amplifier | OC | 45 | AMP | GPA | RF Amplifier | OC | 50 | AMP | GC | Oscillator | OC | 51 | AMP | GC | Switching | OC | 65 | AMP | GC | AF Amplifier | CT | 66 | GTC | GPA | Photo Use | OC | 66 | AMP | GPA | AF Amplifier | RR | 66 | RR | SD | AF Amplifier | OC | 70 | AMP | GPA | AF Amplifier | OC | 71 | AMP | GPA | RF Amplifier | OC | 72 | AMP | GMA | AF Amplifier | ZJ | 72 | GE | GNG | VHF Amplifier | OC | 73 | AMP | GPA | AF Amplifier | ZJ | 73 | GE | GNG | AF Amplifier | GT | 74 | GTC | GPA | AF Amplifier | GT | 75 | GTC | GPA | AF Amplifier | OC | 76 | AMP | GPA | Switching | GT | 81 | GTC | GPA | AF Amplifier | GT | 81H | GTC | GPA | AF Amplifier | GT | 81HS | GTC | GPA | AF Amplifier | GT | 82 | GTC | GPA | Switching | GT | 83 | GTC | GPA | Switching | GT | 87 | GTC | GPA | Switching | GT | 88 | GTC | GPA | Switching | DR | 100 | TS | GPA | AF Amplifier | DR | 101 | TS | GPA | AF Amplifier | DR | 102 | TS | GPA | AF Amplifier | GT | 109 | GTC | GPA | AF Amplifier | GT | 122 | GTC | GPA | Switching | GT | 123 | GTC | GPA | Switching | RR | 125 | RR | GPA | AF Amplifier | DR | 126 | TS | GPA | AF Amplifier | DR | 128 | TS | GPA | AF Amplifier | DR | 129 | TS | GPA | General Use | DR | 130 | TS | GPA | General Use | DR | 131 | TS | GPA | General Use | DR | 132 | TS | GPA | General Use | DR | 139 | TS | GPA | General Use | DR | 147 | TS | GPA | AF Power Amp | GT | 153 | GT | GPA | Switching | DR | 154 | TS | GPA | General Use | DR | 155 | TS | GPA | General Use | TS | 161 | TS | GMA | AF Amplifier | TS | 162 | TS | GMA | General Use | TS | 163 | TS | GPA | AF Amplifier | TS | 164 | TS | GPA | AF Amplifier | TS | 165 | TS | GPA | AF Amplifier | TS | 166 | TS | GPA | AF Amplifier | GT | 167 | GTC | GPA | Switching | TS | 176 | TS | GPA | AF Power Amp | 200 | TI | GNG | GPA | General Use | 201 | TI | GNG | GPA | General Use | 202 | TI | GNG | GPA | General Use | 206 | TI | GNG | GPA | AF Amplifier | 207 | TI | GNG | GPA | AF Amplifier | 208 | TI | GNG | GPA | AF Amplifier | GT | 210 | GTC | GPA | Switching | 210 | TI | GNG | GPA | AF Amplifier | 220 | TI | GNG | GPA | AF Amplifier | 221 | TI | GNG | GPA | IF Amplifier | GT | 222 | GTC | GPA | General Use | 222 | TI | GNG | GPA | IF Amplifier | 223 | TI | GNG | GPA | Converter | 224 | TI | GNG | GPA | Detector | 225 | TI | GNG | GPA | IF Amplifier | 227 | TI | GNG | GPA | IF Amplifier | 228 | TI | GNG | GPA | Detector | GT | 229 | GTC | GNA | AF Amplifier | 234 | TI | CNA | IF Amplifier | IF Amplifier | 235 | TI | GNA | GPA | Converter | GT | 269 | GTC | GPA | RF Amplifier | 301 | TI | GPA | AF Amplifier | AF Amplifier | 302 | TI | GPA | AF Amplifier | AF Amplifier | 310 | TI | GPA | AF Amplifier | AF Amplifier | 310 | TI | GPA | AF Amplifier | AF Amplifier | | | | | | | | | | | | | | | | | | | | | | | | | | | | | | | | | | | | | | | | | | | | | | | | | | | | | | | | | | | | | | | | | | | | | | | | | | | | | | | | | | | | | | | | | | | | | | | | | | | | | | | | | | | | | | | | | | | | | | | | | | | | | | | | | | | | | | | | | | | | | | | | | | | | | | | | | | | | | | | | | | | | | | | | | | | | | | | | | | | | | | | | | | | | | | | | | | | | | | | | | | | | | | | | | | | | | | | | | | | | | | | | | | | | | | | | | | | | | | | | | | | | | | | | | | | | | | | | | | | | | | | | | | | | | | | | | | | | | | | | | | | | | | | | | | | | | | | | | | | | | | | | | | | | | | | | | | | | | | | | | | | | | | | | | | | | | | | | | | | | | | | | | | | | | | | | | | | | | | | | | | | | | | | | | | | | | | | | | | | | | | | | | | | | | | | | | | | | | | | | | | | | | | | | | | | | | | | | | | | | | | | | | | | | | | | | | | | | | | | | | | | | | | | | | | | | | | | | | | | | | | | | | | | | | | | | | | | | | | | | | | | | | | | | | | | | | | | | | | | | | | | | | | | | | | | | | | | |
| CK | 17 | RR | RR | AF Power Amp | MN | 19 | MOT | GPA | AF Amplifier | GT | 20 | GTC | GPA | AF Amplifier | RR | 20 | RR | GPA | AF Amplifier | GT | 20H | GTC | GPA | AF Amplifier | MN | 21 | MOT | GPA | AF Power Amp | RR | 21 | RR | GPA | AF Amplifier | GT | 24 | GTC | GPA | AF Amplifier | MN | 24 | MOT | GPA | AF Power Amp | MN | 25 | MOT | GPA | AF Power Amp | CK | 26 | RK | MOT | Switching | MN | 26 | MOT | GPA | AF Power Amp | MN | 28 | MOT | GPA | AF Power Amp | MN | 29 | MOT | GPA | AF Power Amp | GT | 34 | GTC | GPA | AF Amplifier | RR | 34 | RR | GPA | AF Amplifier | T | 34A | NU | GPA | AF Amplifier | T | 34B | NU | GPA | AF Amplifier | T | 34C | NU | GPA | AF Amplifier | T | 34D | NU | GPA | AF Amplifier | T | 34E | NU | GPA | AF Amplifier | T | 34F | NU | GPA | AF Amplifier | GT | 34HV | GTC | GPA | Switching | GT | 34S | GTC | GPA | Detector | GT | 38 | GTC | GPA | AF Amplifier | RR | 38 | RR | GPA | AF Amplifier | OC | 44 | AMP | GPA | RF Amplifier | OC | 45 | AMP | GPA | RF Amplifier | OC | 50 | AMP | GC | Oscillator | OC | 51 | AMP | GC | Switching | OC | 65 | AMP | GC | AF Amplifier | CT | 66 | GTC | GPA | Photo Use | OC | 66 | AMP | GPA | AF Amplifier | RR | 66 | RR | SD | AF Amplifier | OC | 70 | AMP | GPA | AF Amplifier | OC | 71 | AMP | GPA | RF Amplifier | OC | 72 | AMP | GMA | AF Amplifier | ZJ | 72 | GE | GNG | VHF Amplifier | OC | 73 | AMP | GPA | AF Amplifier | ZJ | 73 | GE | GNG | AF Amplifier | GT | 74 | GTC | GPA | AF Amplifier | GT | 75 | GTC | GPA | AF Amplifier | OC | 76 | AMP | GPA | Switching | GT | 81 | GTC | GPA | AF Amplifier | GT | 81H | GTC | GPA | AF Amplifier | GT | 81HS | GTC | GPA | AF Amplifier | GT | 82 | GTC | GPA | Switching | GT | 83 | GTC | GPA | Switching | GT | 87 | GTC | GPA | Switching | GT | 88 | GTC | GPA | Switching | DR | 100 | TS | GPA | AF Amplifier | DR | 101 | TS | GPA | AF Amplifier | DR | 102 | TS | GPA | AF Amplifier | GT | 109 | GTC | GPA | AF Amplifier | GT | 122 | GTC | GPA | Switching | GT | 123 | GTC | GPA | Switching | RR | 125 | RR | GPA | AF Amplifier | DR | 126 | TS | GPA | AF Amplifier | DR | 128 | TS | GPA | AF Amplifier | DR | 129 | TS | GPA | General Use | DR | 130 | TS | GPA | General Use | DR | 131 | TS | GPA | General Use | DR | 132 | TS | GPA | General Use | DR | 139 | TS | GPA | General Use | DR | 147 | TS | GPA | AF Power Amp | GT | 153 | GT | GPA | Switching | DR | 154 | TS | GPA | General Use | DR | 155 | TS | GPA | General Use | TS | 161 | TS | GMA | AF Amplifier | TS | 162 | TS | GMA | General Use | TS | 163 | TS | GPA | AF Amplifier | TS | 164 | TS | GPA | AF Amplifier | TS | 165 | TS | GPA | AF Amplifier | TS | 166 | TS | GPA | AF Amplifier | GT | 167 | GTC | GPA | Switching | TS | 176 | TS | GPA | AF Power Amp | 200 | TI | GNG | GPA | General Use | 201 | TI | GNG | GPA | General Use | 202 | TI | GNG | GPA | General Use | 206 | TI | GNG | GPA | AF Amplifier | 207 | TI | GNG | GPA | AF Amplifier | 208 | TI | GNG | GPA | AF Amplifier | GT | 210 | GTC | GPA | Switching | 210 | TI | GNG | GPA | AF Amplifier | 220 | TI | GNG | GPA | AF Amplifier | 221 | TI | GNG | GPA | IF Amplifier | GT | 222 | GTC | GPA | General Use | 222 | TI | GNG | GPA | IF Amplifier | 223 | TI | GNG | GPA | Converter | 224 | TI | GNG | GPA | Detector | 225 | TI | GNG | GPA | IF Amplifier | 227 | TI | GNG | GPA | IF Amplifier | 228 | TI | GNG | GPA | Detector | GT | 229 | GTC | GNA | AF Amplifier | 234 | TI | CNA | IF Amplifier | IF Amplifier | 235 | TI | GNA | GPA | Converter | GT | 269 | GTC | GPA | RF Amplifier | 301 | TI | GPA | AF Amplifier | AF Amplifier | 302 | TI | GPA | AF Amplifier | AF Amplifier | 310 | TI | GPA | AF Amplifier | AF Amplifier | 310 | TI | GPA | AF Amplifier | AF Amplifier | | | | | | | | | | | | | | | | | | | | | | | | | | | | | | | | | | | | | | | | | | | | | | | | | | | | | | | | | | | | | | | | | | | | | | | | | | | | | | | | | | | | | | | | | | | | | | | | | | | | | | | | | | | | | | | | | | | | | | | | | | | | | | | | | | | | | | | | | | | | | | | | | | | | | | | | | | | | | | | | | | | | | | | | | | | | | | | | | | | | | | | | | | | | | | | | | | | | | | | | | | | | | | | | | | | | | | | | | | | | | | | | | | | | | | | | | | | | | | | | | | | | | | | | | | | | | | | | | | | | | | | | | | | | | | | | | | | | | | | | | | | | | | | | | | | | | | | | | | | | | | | | | | | | | | | | | | | | | | | | | | | | | | | | | | | | | | | | | | | | | | | | | | | | | | | | | | | | | | | | | | | | | | | | | | | | | | | | | | | | | | | | | | | | | | | | | | | | | | | | | | | | | | | | | | | | | | | | | | | | | | | | | | | | | | | | | | | | | | | | | | | | | | | | | | | | | | | | | | | | | | | | | | | | | | | | | | | | | | | | | | | | | | | | | | | | | | | | | | | | | | | | | | | | | | | | | | | | | | | | |
| MN | 19 | MOT | GPA | AF Amplifier | GT | 20 | GTC | GPA | AF Amplifier | RR | 20 | RR | GPA | AF Amplifier | GT | 20H | GTC | GPA | AF Amplifier | MN | 21 | MOT | GPA | AF Power Amp | RR | 21 | RR | GPA | AF Amplifier | GT | 24 | GTC | GPA | AF Amplifier | MN | 24 | MOT | GPA | AF Power Amp | MN | 25 | MOT | GPA | AF Power Amp | CK | 26 | RK | MOT | Switching | MN | 26 | MOT | GPA | AF Power Amp | MN | 28 | MOT | GPA | AF Power Amp | MN | 29 | MOT | GPA | AF Power Amp | GT | 34 | GTC | GPA | AF Amplifier | RR | 34 | RR | GPA | AF Amplifier | T | 34A | NU | GPA | AF Amplifier | T | 34B | NU | GPA | AF Amplifier | T | 34C | NU | GPA | AF Amplifier | T | 34D | NU | GPA | AF Amplifier | T | 34E | NU | GPA | AF Amplifier | T | 34F | NU | GPA | AF Amplifier | GT | 34HV | GTC | GPA | Switching | GT | 34S | GTC | GPA | Detector | GT | 38 | GTC | GPA | AF Amplifier | RR | 38 | RR | GPA | AF Amplifier | OC | 44 | AMP | GPA | RF Amplifier | OC | 45 | AMP | GPA | RF Amplifier | OC | 50 | AMP | GC | Oscillator | OC | 51 | AMP | GC | Switching | OC | 65 | AMP | GC | AF Amplifier | CT | 66 | GTC | GPA | Photo Use | OC | 66 | AMP | GPA | AF Amplifier | RR | 66 | RR | SD | AF Amplifier | OC | 70 | AMP | GPA | AF Amplifier | OC | 71 | AMP | GPA | RF Amplifier | OC | 72 | AMP | GMA | AF Amplifier | ZJ | 72 | GE | GNG | VHF Amplifier | OC | 73 | AMP | GPA | AF Amplifier | ZJ | 73 | GE | GNG | AF Amplifier | GT | 74 | GTC | GPA | AF Amplifier | GT | 75 | GTC | GPA | AF Amplifier | OC | 76 | AMP | GPA | Switching | GT | 81 | GTC | GPA | AF Amplifier | GT | 81H | GTC | GPA | AF Amplifier | GT | 81HS | GTC | GPA | AF Amplifier | GT | 82 | GTC | GPA | Switching | GT | 83 | GTC | GPA | Switching | GT | 87 | GTC | GPA | Switching | GT | 88 | GTC | GPA | Switching | DR | 100 | TS | GPA | AF Amplifier | DR | 101 | TS | GPA | AF Amplifier | DR | 102 | TS | GPA | AF Amplifier | GT | 109 | GTC | GPA | AF Amplifier | GT | 122 | GTC | GPA | Switching | GT | 123 | GTC | GPA | Switching | RR | 125 | RR | GPA | AF Amplifier | DR | 126 | TS | GPA | AF Amplifier | DR | 128 | TS | GPA | AF Amplifier | DR | 129 | TS | GPA | General Use | DR | 130 | TS | GPA | General Use | DR | 131 | TS | GPA | General Use | DR | 132 | TS | GPA | General Use | DR | 139 | TS | GPA | General Use | DR | 147 | TS | GPA | AF Power Amp | GT | 153 | GT | GPA | Switching | DR | 154 | TS | GPA | General Use | DR | 155 | TS | GPA | General Use | TS | 161 | TS | GMA | AF Amplifier | TS | 162 | TS | GMA | General Use | TS | 163 | TS | GPA | AF Amplifier | TS | 164 | TS | GPA | AF Amplifier | TS | 165 | TS | GPA | AF Amplifier | TS | 166 | TS | GPA | AF Amplifier | GT | 167 | GTC | GPA | Switching | TS | 176 | TS | GPA | AF Power Amp | 200 | TI | GNG | GPA | General Use | 201 | TI | GNG | GPA | General Use | 202 | TI | GNG | GPA | General Use | 206 | TI | GNG | GPA | AF Amplifier | 207 | TI | GNG | GPA | AF Amplifier | 208 | TI | GNG | GPA | AF Amplifier | GT | 210 | GTC | GPA | Switching | 210 | TI | GNG | GPA | AF Amplifier | 220 | TI | GNG | GPA | AF Amplifier | 221 | TI | GNG | GPA | IF Amplifier | GT | 222 | GTC | GPA | General Use | 222 | TI | GNG | GPA | IF Amplifier | 223 | TI | GNG | GPA | Converter | 224 | TI | GNG | GPA | Detector | 225 | TI | GNG | GPA | IF Amplifier | 227 | TI | GNG | GPA | IF Amplifier | 228 | TI | GNG | GPA | Detector | GT | 229 | GTC | GNA | AF Amplifier | 234 | TI | CNA | IF Amplifier | IF Amplifier | 235 | TI | GNA | GPA | Converter | GT | 269 | GTC | GPA | RF Amplifier | 301 | TI | GPA | AF Amplifier | AF Amplifier | 302 | TI | GPA | AF Amplifier | AF Amplifier | 310 | TI | GPA | AF Amplifier | AF Amplifier | 310 | TI | GPA | AF Amplifier | AF Amplifier | | | | | | | | | | | | | | | | | | | | | | | | | | | | | | | | | | | | | | | | | | | | | | | | | | | | | | | | | | | | | | | | | | | | | | | | | | | | | | | | | | | | | | | | | | | | | | | | | | | | | | | | | | | | | | | | | | | | | | | | | | | | | | | | | | | | | | | | | | | | | | | | | | | | | | | | | | | | | | | | | | | | | | | | | | | | | | | | | | | | | | | | | | | | | | | | | | | | | | | | | | | | | | | | | | | | | | | | | | | | | | | | | | | | | | | | | | | | | | | | | | | | | | | | | | | | | | | | | | | | | | | | | | | | | | | | | | | | | | | | | | | | | | | | | | | | | | | | | | | | | | | | | | | | | | | | | | | | | | | | | | | | | | | | | | | | | | | | | | | | | | | | | | | | | | | | | | | | | | | | | | | | | | | | | | | | | | | | | | | | | | | | | | | | | | | | | | | | | | | | | | | | | | | | | | | | | | | | | | | | | | | | | | | | | | | | | | | | | | | | | | | | | | | | | | | | | | | | | | | | | | | | | | | | | | | | | | | | | | | | | | | | | | | | | | | | | | | | | | | | | | | | | | | | | | | | | | | | | | | | | | | | | |
| GT | 20 | GTC | GPA | AF Amplifier | RR | 20 | RR | GPA | AF Amplifier | GT | 20H | GTC | GPA | AF Amplifier | MN | 21 | MOT | GPA | AF Power Amp | RR | 21 | RR | GPA | AF Amplifier | GT | 24 | GTC | GPA | AF Amplifier | MN | 24 | MOT | GPA | AF Power Amp | MN | 25 | MOT | GPA | AF Power Amp | CK | 26 | RK | MOT | Switching | MN | 26 | MOT | GPA | AF Power Amp | MN | 28 | MOT | GPA | AF Power Amp | MN | 29 | MOT | GPA | AF Power Amp | GT | 34 | GTC | GPA | AF Amplifier | RR | 34 | RR | GPA | AF Amplifier | T | 34A | NU | GPA | AF Amplifier | T | 34B | NU | GPA | AF Amplifier | T | 34C | NU | GPA | AF Amplifier | T | 34D | NU | GPA | AF Amplifier | T | 34E | NU | GPA | AF Amplifier | T | 34F | NU | GPA | AF Amplifier | GT | 34HV | GTC | GPA | Switching | GT | 34S | GTC | GPA | Detector | GT | 38 | GTC | GPA | AF Amplifier | RR | 38 | RR | GPA | AF Amplifier | OC | 44 | AMP | GPA | RF Amplifier | OC | 45 | AMP | GPA | RF Amplifier | OC | 50 | AMP | GC | Oscillator | OC | 51 | AMP | GC | Switching | OC | 65 | AMP | GC | AF Amplifier | CT | 66 | GTC | GPA | Photo Use | OC | 66 | AMP | GPA | AF Amplifier | RR | 66 | RR | SD | AF Amplifier | OC | 70 | AMP | GPA | AF Amplifier | OC | 71 | AMP | GPA | RF Amplifier | OC | 72 | AMP | GMA | AF Amplifier | ZJ | 72 | GE | GNG | VHF Amplifier | OC | 73 | AMP | GPA | AF Amplifier | ZJ | 73 | GE | GNG | AF Amplifier | GT | 74 | GTC | GPA | AF Amplifier | GT | 75 | GTC | GPA | AF Amplifier | OC | 76 | AMP | GPA | Switching | GT | 81 | GTC | GPA | AF Amplifier | GT | 81H | GTC | GPA | AF Amplifier | GT | 81HS | GTC | GPA | AF Amplifier | GT | 82 | GTC | GPA | Switching | GT | 83 | GTC | GPA | Switching | GT | 87 | GTC | GPA | Switching | GT | 88 | GTC | GPA | Switching | DR | 100 | TS | GPA | AF Amplifier | DR | 101 | TS | GPA | AF Amplifier | DR | 102 | TS | GPA | AF Amplifier | GT | 109 | GTC | GPA | AF Amplifier | GT | 122 | GTC | GPA | Switching | GT | 123 | GTC | GPA | Switching | RR | 125 | RR | GPA | AF Amplifier | DR | 126 | TS | GPA | AF Amplifier | DR | 128 | TS | GPA | AF Amplifier | DR | 129 | TS | GPA | General Use | DR | 130 | TS | GPA | General Use | DR | 131 | TS | GPA | General Use | DR | 132 | TS | GPA | General Use | DR | 139 | TS | GPA | General Use | DR | 147 | TS | GPA | AF Power Amp | GT | 153 | GT | GPA | Switching | DR | 154 | TS | GPA | General Use | DR | 155 | TS | GPA | General Use | TS | 161 | TS | GMA | AF Amplifier | TS | 162 | TS | GMA | General Use | TS | 163 | TS | GPA | AF Amplifier | TS | 164 | TS | GPA | AF Amplifier | TS | 165 | TS | GPA | AF Amplifier | TS | 166 | TS | GPA | AF Amplifier | GT | 167 | GTC | GPA | Switching | TS | 176 | TS | GPA | AF Power Amp | 200 | TI | GNG | GPA | General Use | 201 | TI | GNG | GPA | General Use | 202 | TI | GNG | GPA | General Use | 206 | TI | GNG | GPA | AF Amplifier | 207 | TI | GNG | GPA | AF Amplifier | 208 | TI | GNG | GPA | AF Amplifier | GT | 210 | GTC | GPA | Switching | 210 | TI | GNG | GPA | AF Amplifier | 220 | TI | GNG | GPA | AF Amplifier | 221 | TI | GNG | GPA | IF Amplifier | GT | 222 | GTC | GPA | General Use | 222 | TI | GNG | GPA | IF Amplifier | 223 | TI | GNG | GPA | Converter | 224 | TI | GNG | GPA | Detector | 225 | TI | GNG | GPA | IF Amplifier | 227 | TI | GNG | GPA | IF Amplifier | 228 | TI | GNG | GPA | Detector | GT | 229 | GTC | GNA | AF Amplifier | 234 | TI | CNA | IF Amplifier | IF Amplifier | 235 | TI | GNA | GPA | Converter | GT | 269 | GTC | GPA | RF Amplifier | 301 | TI | GPA | AF Amplifier | AF Amplifier | 302 | TI | GPA | AF Amplifier | AF Amplifier | 310 | TI | GPA | AF Amplifier | AF Amplifier | 310 | TI | GPA | AF Amplifier | AF Amplifier | | | | | | | | | | | | | | | | | | | | | | | | | | | | | | | | | | | | | | | | | | | | | | | | | | | | | | | | | | | | | | | | | | | | | | | | | | | | | | | | | | | | | | | | | | | | | | | | | | | | | | | | | | | | | | | | | | | | | | | | | | | | | | | | | | | | | | | | | | | | | | | | | | | | | | | | | | | | | | | | | | | | | | | | | | | | | | | | | | | | | | | | | | | | | | | | | | | | | | | | | | | | | | | | | | | | | | | | | | | | | | | | | | | | | | | | | | | | | | | | | | | | | | | | | | | | | | | | | | | | | | | | | | | | | | | | | | | | | | | | | | | | | | | | | | | | | | | | | | | | | | | | | | | | | | | | | | | | | | | | | | | | | | | | | | | | | | | | | | | | | | | | | | | | | | | | | | | | | | | | | | | | | | | | | | | | | | | | | | | | | | | | | | | | | | | | | | | | | | | | | | | | | | | | | | | | | | | | | | | | | | | | | | | | | | | | | | | | | | | | | | | | | | | | | | | | | | | | | | | | | | | | | | | | | | | | | | | | | | | | | | | | | | | | | | | | | | | | | | | | | | | | | | | | | | | | | | | | | | | | | | | | | | | | | | |
| RR | 20 | RR | GPA | AF Amplifier | GT | 20H | GTC | GPA | AF Amplifier | MN | 21 | MOT | GPA | AF Power Amp | RR | 21 | RR | GPA | AF Amplifier | GT | 24 | GTC | GPA | AF Amplifier | MN | 24 | MOT | GPA | AF Power Amp | MN | 25 | MOT | GPA | AF Power Amp | CK | 26 | RK | MOT | Switching | MN | 26 | MOT | GPA | AF Power Amp | MN | 28 | MOT | GPA | AF Power Amp | MN | 29 | MOT | GPA | AF Power Amp | GT | 34 | GTC | GPA | AF Amplifier | RR | 34 | RR | GPA | AF Amplifier | T | 34A | NU | GPA | AF Amplifier | T | 34B | NU | GPA | AF Amplifier | T | 34C | NU | GPA | AF Amplifier | T | 34D | NU | GPA | AF Amplifier | T | 34E | NU | GPA | AF Amplifier | T | 34F | NU | GPA | AF Amplifier | GT | 34HV | GTC | GPA | Switching | GT | 34S | GTC | GPA | Detector | GT | 38 | GTC | GPA | AF Amplifier | RR | 38 | RR | GPA | AF Amplifier | OC | 44 | AMP | GPA | RF Amplifier | OC | 45 | AMP | GPA | RF Amplifier | OC | 50 | AMP | GC | Oscillator | OC | 51 | AMP | GC | Switching | OC | 65 | AMP | GC | AF Amplifier | CT | 66 | GTC | GPA | Photo Use | OC | 66 | AMP | GPA | AF Amplifier | RR | 66 | RR | SD | AF Amplifier | OC | 70 | AMP | GPA | AF Amplifier | OC | 71 | AMP | GPA | RF Amplifier | OC | 72 | AMP | GMA | AF Amplifier | ZJ | 72 | GE | GNG | VHF Amplifier | OC | 73 | AMP | GPA | AF Amplifier | ZJ | 73 | GE | GNG | AF Amplifier | GT | 74 | GTC | GPA | AF Amplifier | GT | 75 | GTC | GPA | AF Amplifier | OC | 76 | AMP | GPA | Switching | GT | 81 | GTC | GPA | AF Amplifier | GT | 81H | GTC | GPA | AF Amplifier | GT | 81HS | GTC | GPA | AF Amplifier | GT | 82 | GTC | GPA | Switching | GT | 83 | GTC | GPA | Switching | GT | 87 | GTC | GPA | Switching | GT | 88 | GTC | GPA | Switching | DR | 100 | TS | GPA | AF Amplifier | DR | 101 | TS | GPA | AF Amplifier | DR | 102 | TS | GPA | AF Amplifier | GT | 109 | GTC | GPA | AF Amplifier | GT | 122 | GTC | GPA | Switching | GT | 123 | GTC | GPA | Switching | RR | 125 | RR | GPA | AF Amplifier | DR | 126 | TS | GPA | AF Amplifier | DR | 128 | TS | GPA | AF Amplifier | DR | 129 | TS | GPA | General Use | DR | 130 | TS | GPA | General Use | DR | 131 | TS | GPA | General Use | DR | 132 | TS | GPA | General Use | DR | 139 | TS | GPA | General Use | DR | 147 | TS | GPA | AF Power Amp | GT | 153 | GT | GPA | Switching | DR | 154 | TS | GPA | General Use | DR | 155 | TS | GPA | General Use | TS | 161 | TS | GMA | AF Amplifier | TS | 162 | TS | GMA | General Use | TS | 163 | TS | GPA | AF Amplifier | TS | 164 | TS | GPA | AF Amplifier | TS | 165 | TS | GPA | AF Amplifier | TS | 166 | TS | GPA | AF Amplifier | GT | 167 | GTC | GPA | Switching | TS | 176 | TS | GPA | AF Power Amp | 200 | TI | GNG | GPA | General Use | 201 | TI | GNG | GPA | General Use | 202 | TI | GNG | GPA | General Use | 206 | TI | GNG | GPA | AF Amplifier | 207 | TI | GNG | GPA | AF Amplifier | 208 | TI | GNG | GPA | AF Amplifier | GT | 210 | GTC | GPA | Switching | 210 | TI | GNG | GPA | AF Amplifier | 220 | TI | GNG | GPA | AF Amplifier | 221 | TI | GNG | GPA | IF Amplifier | GT | 222 | GTC | GPA | General Use | 222 | TI | GNG | GPA | IF Amplifier | 223 | TI | GNG | GPA | Converter | 224 | TI | GNG | GPA | Detector | 225 | TI | GNG | GPA | IF Amplifier | 227 | TI | GNG | GPA | IF Amplifier | 228 | TI | GNG | GPA | Detector | GT | 229 | GTC | GNA | AF Amplifier | 234 | TI | CNA | IF Amplifier | IF Amplifier | 235 | TI | GNA | GPA | Converter | GT | 269 | GTC | GPA | RF Amplifier | 301 | TI | GPA | AF Amplifier | AF Amplifier | 302 | TI | GPA | AF Amplifier | AF Amplifier | 310 | TI | GPA | AF Amplifier | AF Amplifier | 310 | TI | GPA | AF Amplifier | AF Amplifier | | | | | | | | | | | | | | | | | | | | | | | | | | | | | | | | | | | | | | | | | | | | | | | | | | | | | | | | | | | | | | | | | | | | | | | | | | | | | | | | | | | | | | | | | | | | | | | | | | | | | | | | | | | | | | | | | | | | | | | | | | | | | | | | | | | | | | | | | | | | | | | | | | | | | | | | | | | | | | | | | | | | | | | | | | | | | | | | | | | | | | | | | | | | | | | | | | | | | | | | | | | | | | | | | | | | | | | | | | | | | | | | | | | | | | | | | | | | | | | | | | | | | | | | | | | | | | | | | | | | | | | | | | | | | | | | | | | | | | | | | | | | | | | | | | | | | | | | | | | | | | | | | | | | | | | | | | | | | | | | | | | | | | | | | | | | | | | | | | | | | | | | | | | | | | | | | | | | | | | | | | | | | | | | | | | | | | | | | | | | | | | | | | | | | | | | | | | | | | | | | | | | | | | | | | | | | | | | | | | | | | | | | | | | | | | | | | | | | | | | | | | | | | | | | | | | | | | | | | | | | | | | | | | | | | | | | | | | | | | | | | | | | | | | | | | | | | | | | | | | | | | | | | | | | | | | | | | | | | | | | | | | | | | | | | | | | | | |
| GT | 20H | GTC | GPA | AF Amplifier | MN | 21 | MOT | GPA | AF Power Amp | RR | 21 | RR | GPA | AF Amplifier | GT | 24 | GTC | GPA | AF Amplifier | MN | 24 | MOT | GPA | AF Power Amp | MN | 25 | MOT | GPA | AF Power Amp | CK | 26 | RK | MOT | Switching | MN | 26 | MOT | GPA | AF Power Amp | MN | 28 | MOT | GPA | AF Power Amp | MN | 29 | MOT | GPA | AF Power Amp | GT | 34 | GTC | GPA | AF Amplifier | RR | 34 | RR | GPA | AF Amplifier | T | 34A | NU | GPA | AF Amplifier | T | 34B | NU | GPA | AF Amplifier | T | 34C | NU | GPA | AF Amplifier | T | 34D | NU | GPA | AF Amplifier | T | 34E | NU | GPA | AF Amplifier | T | 34F | NU | GPA | AF Amplifier | GT | 34HV | GTC | GPA | Switching | GT | 34S | GTC | GPA | Detector | GT | 38 | GTC | GPA | AF Amplifier | RR | 38 | RR | GPA | AF Amplifier | OC | 44 | AMP | GPA | RF Amplifier | OC | 45 | AMP | GPA | RF Amplifier | OC | 50 | AMP | GC | Oscillator | OC | 51 | AMP | GC | Switching | OC | 65 | AMP | GC | AF Amplifier | CT | 66 | GTC | GPA | Photo Use | OC | 66 | AMP | GPA | AF Amplifier | RR | 66 | RR | SD | AF Amplifier | OC | 70 | AMP | GPA | AF Amplifier | OC | 71 | AMP | GPA | RF Amplifier | OC | 72 | AMP | GMA | AF Amplifier | ZJ | 72 | GE | GNG | VHF Amplifier | OC | 73 | AMP | GPA | AF Amplifier | ZJ | 73 | GE | GNG | AF Amplifier | GT | 74 | GTC | GPA | AF Amplifier | GT | 75 | GTC | GPA | AF Amplifier | OC | 76 | AMP | GPA | Switching | GT | 81 | GTC | GPA | AF Amplifier | GT | 81H | GTC | GPA | AF Amplifier | GT | 81HS | GTC | GPA | AF Amplifier | GT | 82 | GTC | GPA | Switching | GT | 83 | GTC | GPA | Switching | GT | 87 | GTC | GPA | Switching | GT | 88 | GTC | GPA | Switching | DR | 100 | TS | GPA | AF Amplifier | DR | 101 | TS | GPA | AF Amplifier | DR | 102 | TS | GPA | AF Amplifier | GT | 109 | GTC | GPA | AF Amplifier | GT | 122 | GTC | GPA | Switching | GT | 123 | GTC | GPA | Switching | RR | 125 | RR | GPA | AF Amplifier | DR | 126 | TS | GPA | AF Amplifier | DR | 128 | TS | GPA | AF Amplifier | DR | 129 | TS | GPA | General Use | DR | 130 | TS | GPA | General Use | DR | 131 | TS | GPA | General Use | DR | 132 | TS | GPA | General Use | DR | 139 | TS | GPA | General Use | DR | 147 | TS | GPA | AF Power Amp | GT | 153 | GT | GPA | Switching | DR | 154 | TS | GPA | General Use | DR | 155 | TS | GPA | General Use | TS | 161 | TS | GMA | AF Amplifier | TS | 162 | TS | GMA | General Use | TS | 163 | TS | GPA | AF Amplifier | TS | 164 | TS | GPA | AF Amplifier | TS | 165 | TS | GPA | AF Amplifier | TS | 166 | TS | GPA | AF Amplifier | GT | 167 | GTC | GPA | Switching | TS | 176 | TS | GPA | AF Power Amp | 200 | TI | GNG | GPA | General Use | 201 | TI | GNG | GPA | General Use | 202 | TI | GNG | GPA | General Use | 206 | TI | GNG | GPA | AF Amplifier | 207 | TI | GNG | GPA | AF Amplifier | 208 | TI | GNG | GPA | AF Amplifier | GT | 210 | GTC | GPA | Switching | 210 | TI | GNG | GPA | AF Amplifier | 220 | TI | GNG | GPA | AF Amplifier | 221 | TI | GNG | GPA | IF Amplifier | GT | 222 | GTC | GPA | General Use | 222 | TI | GNG | GPA | IF Amplifier | 223 | TI | GNG | GPA | Converter | 224 | TI | GNG | GPA | Detector | 225 | TI | GNG | GPA | IF Amplifier | 227 | TI | GNG | GPA | IF Amplifier | 228 | TI | GNG | GPA | Detector | GT | 229 | GTC | GNA | AF Amplifier | 234 | TI | CNA | IF Amplifier | IF Amplifier | 235 | TI | GNA | GPA | Converter | GT | 269 | GTC | GPA | RF Amplifier | 301 | TI | GPA | AF Amplifier | AF Amplifier | 302 | TI | GPA | AF Amplifier | AF Amplifier | 310 | TI | GPA | AF Amplifier | AF Amplifier | 310 | TI | GPA | AF Amplifier | AF Amplifier | | | | | | | | | | | | | | | | | | | | | | | | | | | | | | | | | | | | | | | | | | | | | | | | | | | | | | | | | | | | | | | | | | | | | | | | | | | | | | | | | | | | | | | | | | | | | | | | | | | | | | | | | | | | | | | | | | | | | | | | | | | | | | | | | | | | | | | | | | | | | | | | | | | | | | | | | | | | | | | | | | | | | | | | | | | | | | | | | | | | | | | | | | | | | | | | | | | | | | | | | | | | | | | | | | | | | | | | | | | | | | | | | | | | | | | | | | | | | | | | | | | | | | | | | | | | | | | | | | | | | | | | | | | | | | | | | | | | | | | | | | | | | | | | | | | | | | | | | | | | | | | | | | | | | | | | | | | | | | | | | | | | | | | | | | | | | | | | | | | | | | | | | | | | | | | | | | | | | | | | | | | | | | | | | | | | | | | | | | | | | | | | | | | | | | | | | | | | | | | | | | | | | | | | | | | | | | | | | | | | | | | | | | | | | | | | | | | | | | | | | | | | | | | | | | | | | | | | | | | | | | | | | | | | | | | | | | | | | | | | | | | | | | | | | | | | | | | | | | | | | | | | | | | | | | | | | | | | | | | | | | | | | | | | | | | | | | | | | | | | |
| MN | 21 | MOT | GPA | AF Power Amp | RR | 21 | RR | GPA | AF Amplifier | GT | 24 | GTC | GPA | AF Amplifier | MN | 24 | MOT | GPA | AF Power Amp | MN | 25 | MOT | GPA | AF Power Amp | CK | 26 | RK | MOT | Switching | MN | 26 | MOT | GPA | AF Power Amp | MN | 28 | MOT | GPA | AF Power Amp | MN | 29 | MOT | GPA | AF Power Amp | GT | 34 | GTC | GPA | AF Amplifier | RR | 34 | RR | GPA | AF Amplifier | T | 34A | NU | GPA | AF Amplifier | T | 34B | NU | GPA | AF Amplifier | T | 34C | NU | GPA | AF Amplifier | T | 34D | NU | GPA | AF Amplifier | T | 34E | NU | GPA | AF Amplifier | T | 34F | NU | GPA | AF Amplifier | GT | 34HV | GTC | GPA | Switching | GT | 34S | GTC | GPA | Detector | GT | 38 | GTC | GPA | AF Amplifier | RR | 38 | RR | GPA | AF Amplifier | OC | 44 | AMP | GPA | RF Amplifier | OC | 45 | AMP | GPA | RF Amplifier | OC | 50 | AMP | GC | Oscillator | OC | 51 | AMP | GC | Switching | OC | 65 | AMP | GC | AF Amplifier | CT | 66 | GTC | GPA | Photo Use | OC | 66 | AMP | GPA | AF Amplifier | RR | 66 | RR | SD | AF Amplifier | OC | 70 | AMP | GPA | AF Amplifier | OC | 71 | AMP | GPA | RF Amplifier | OC | 72 | AMP | GMA | AF Amplifier | ZJ | 72 | GE | GNG | VHF Amplifier | OC | 73 | AMP | GPA | AF Amplifier | ZJ | 73 | GE | GNG | AF Amplifier | GT | 74 | GTC | GPA | AF Amplifier | GT | 75 | GTC | GPA | AF Amplifier | OC | 76 | AMP | GPA | Switching | GT | 81 | GTC | GPA | AF Amplifier | GT | 81H | GTC | GPA | AF Amplifier | GT | 81HS | GTC | GPA | AF Amplifier | GT | 82 | GTC | GPA | Switching | GT | 83 | GTC | GPA | Switching | GT | 87 | GTC | GPA | Switching | GT | 88 | GTC | GPA | Switching | DR | 100 | TS | GPA | AF Amplifier | DR | 101 | TS | GPA | AF Amplifier | DR | 102 | TS | GPA | AF Amplifier | GT | 109 | GTC | GPA | AF Amplifier | GT | 122 | GTC | GPA | Switching | GT | 123 | GTC | GPA | Switching | RR | 125 | RR | GPA | AF Amplifier | DR | 126 | TS | GPA | AF Amplifier | DR | 128 | TS | GPA | AF Amplifier | DR | 129 | TS | GPA | General Use | DR | 130 | TS | GPA | General Use | DR | 131 | TS | GPA | General Use | DR | 132 | TS | GPA | General Use | DR | 139 | TS | GPA | General Use | DR | 147 | TS | GPA | AF Power Amp | GT | 153 | GT | GPA | Switching | DR | 154 | TS | GPA | General Use | DR | 155 | TS | GPA | General Use | TS | 161 | TS | GMA | AF Amplifier | TS | 162 | TS | GMA | General Use | TS | 163 | TS | GPA | AF Amplifier | TS | 164 | TS | GPA | AF Amplifier | TS | 165 | TS | GPA | AF Amplifier | TS | 166 | TS | GPA | AF Amplifier | GT | 167 | GTC | GPA | Switching | TS | 176 | TS | GPA | AF Power Amp | 200 | TI | GNG | GPA | General Use | 201 | TI | GNG | GPA | General Use | 202 | TI | GNG | GPA | General Use | 206 | TI | GNG | GPA | AF Amplifier | 207 | TI | GNG | GPA | AF Amplifier | 208 | TI | GNG | GPA | AF Amplifier | GT | 210 | GTC | GPA | Switching | 210 | TI | GNG | GPA | AF Amplifier | 220 | TI | GNG | GPA | AF Amplifier | 221 | TI | GNG | GPA | IF Amplifier | GT | 222 | GTC | GPA | General Use | 222 | TI | GNG | GPA | IF Amplifier | 223 | TI | GNG | GPA | Converter | 224 | TI | GNG | GPA | Detector | 225 | TI | GNG | GPA | IF Amplifier | 227 | TI | GNG | GPA | IF Amplifier | 228 | TI | GNG | GPA | Detector | GT | 229 | GTC | GNA | AF Amplifier | 234 | TI | CNA | IF Amplifier | IF Amplifier | 235 | TI | GNA | GPA | Converter | GT | 269 | GTC | GPA | RF Amplifier | 301 | TI | GPA | AF Amplifier | AF Amplifier | 302 | TI | GPA | AF Amplifier | AF Amplifier | 310 | TI | GPA | AF Amplifier | AF Amplifier | 310 | TI | GPA | AF Amplifier | AF Amplifier | | | | | | | | | | | | | | | | | | | | | | | | | | | | | | | | | | | | | | | | | | | | | | | | | | | | | | | | | | | | | | | | | | | | | | | | | | | | | | | | | | | | | | | | | | | | | | | | | | | | | | | | | | | | | | | | | | | | | | | | | | | | | | | | | | | | | | | | | | | | | | | | | | | | | | | | | | | | | | | | | | | | | | | | | | | | | | | | | | | | | | | | | | | | | | | | | | | | | | | | | | | | | | | | | | | | | | | | | | | | | | | | | | | | | | | | | | | | | | | | | | | | | | | | | | | | | | | | | | | | | | | | | | | | | | | | | | | | | | | | | | | | | | | | | | | | | | | | | | | | | | | | | | | | | | | | | | | | | | | | | | | | | | | | | | | | | | | | | | | | | | | | | | | | | | | | | | | | | | | | | | | | | | | | | | | | | | | | | | | | | | | | | | | | | | | | | | | | | | | | | | | | | | | | | | | | | | | | | | | | | | | | | | | | | | | | | | | | | | | | | | | | | | | | | | | | | | | | | | | | | | | | | | | | | | | | | | | | | | | | | | | | | | | | | | | | | | | | | | | | | | | | | | | | | | | | | | | | | | | | | | | | | | | | | | | | | | | | | | | | | | | | | |
| RR | 21 | RR | GPA | AF Amplifier | GT | 24 | GTC | GPA | AF Amplifier | MN | 24 | MOT | GPA | AF Power Amp | MN | 25 | MOT | GPA | AF Power Amp | CK | 26 | RK | MOT | Switching | MN | 26 | MOT | GPA | AF Power Amp | MN | 28 | MOT | GPA | AF Power Amp | MN | 29 | MOT | GPA | AF Power Amp | GT | 34 | GTC | GPA | AF Amplifier | RR | 34 | RR | GPA | AF Amplifier | T | 34A | NU | GPA | AF Amplifier | T | 34B | NU | GPA | AF Amplifier | T | 34C | NU | GPA | AF Amplifier | T | 34D | NU | GPA | AF Amplifier | T | 34E | NU | GPA | AF Amplifier | T | 34F | NU | GPA | AF Amplifier | GT | 34HV | GTC | GPA | Switching | GT | 34S | GTC | GPA | Detector | GT | 38 | GTC | GPA | AF Amplifier | RR | 38 | RR | GPA | AF Amplifier | OC | 44 | AMP | GPA | RF Amplifier | OC | 45 | AMP | GPA | RF Amplifier | OC | 50 | AMP | GC | Oscillator | OC | 51 | AMP | GC | Switching | OC | 65 | AMP | GC | AF Amplifier | CT | 66 | GTC | GPA | Photo Use | OC | 66 | AMP | GPA | AF Amplifier | RR | 66 | RR | SD | AF Amplifier | OC | 70 | AMP | GPA | AF Amplifier | OC | 71 | AMP | GPA | RF Amplifier | OC | 72 | AMP | GMA | AF Amplifier | ZJ | 72 | GE | GNG | VHF Amplifier | OC | 73 | AMP | GPA | AF Amplifier | ZJ | 73 | GE | GNG | AF Amplifier | GT | 74 | GTC | GPA | AF Amplifier | GT | 75 | GTC | GPA | AF Amplifier | OC | 76 | AMP | GPA | Switching | GT | 81 | GTC | GPA | AF Amplifier | GT | 81H | GTC | GPA | AF Amplifier | GT | 81HS | GTC | GPA | AF Amplifier | GT | 82 | GTC | GPA | Switching | GT | 83 | GTC | GPA | Switching | GT | 87 | GTC | GPA | Switching | GT | 88 | GTC | GPA | Switching | DR | 100 | TS | GPA | AF Amplifier | DR | 101 | TS | GPA | AF Amplifier | DR | 102 | TS | GPA | AF Amplifier | GT | 109 | GTC | GPA | AF Amplifier | GT | 122 | GTC | GPA | Switching | GT | 123 | GTC | GPA | Switching | RR | 125 | RR | GPA | AF Amplifier | DR | 126 | TS | GPA | AF Amplifier | DR | 128 | TS | GPA | AF Amplifier | DR | 129 | TS | GPA | General Use | DR | 130 | TS | GPA | General Use | DR | 131 | TS | GPA | General Use | DR | 132 | TS | GPA | General Use | DR | 139 | TS | GPA | General Use | DR | 147 | TS | GPA | AF Power Amp | GT | 153 | GT | GPA | Switching | DR | 154 | TS | GPA | General Use | DR | 155 | TS | GPA | General Use | TS | 161 | TS | GMA | AF Amplifier | TS | 162 | TS | GMA | General Use | TS | 163 | TS | GPA | AF Amplifier | TS | 164 | TS | GPA | AF Amplifier | TS | 165 | TS | GPA | AF Amplifier | TS | 166 | TS | GPA | AF Amplifier | GT | 167 | GTC | GPA | Switching | TS | 176 | TS | GPA | AF Power Amp | 200 | TI | GNG | GPA | General Use | 201 | TI | GNG | GPA | General Use | 202 | TI | GNG | GPA | General Use | 206 | TI | GNG | GPA | AF Amplifier | 207 | TI | GNG | GPA | AF Amplifier | 208 | TI | GNG | GPA | AF Amplifier | GT | 210 | GTC | GPA | Switching | 210 | TI | GNG | GPA | AF Amplifier | 220 | TI | GNG | GPA | AF Amplifier | 221 | TI | GNG | GPA | IF Amplifier | GT | 222 | GTC | GPA | General Use | 222 | TI | GNG | GPA | IF Amplifier | 223 | TI | GNG | GPA | Converter | 224 | TI | GNG | GPA | Detector | 225 | TI | GNG | GPA | IF Amplifier | 227 | TI | GNG | GPA | IF Amplifier | 228 | TI | GNG | GPA | Detector | GT | 229 | GTC | GNA | AF Amplifier | 234 | TI | CNA | IF Amplifier | IF Amplifier | 235 | TI | GNA | GPA | Converter | GT | 269 | GTC | GPA | RF Amplifier | 301 | TI | GPA | AF Amplifier | AF Amplifier | 302 | TI | GPA | AF Amplifier | AF Amplifier | 310 | TI | GPA | AF Amplifier | AF Amplifier | 310 | TI | GPA | AF Amplifier | AF Amplifier | | | | | | | | | | | | | | | | | | | | | | | | | | | | | | | | | | | | | | | | | | | | | | | | | | | | | | | | | | | | | | | | | | | | | | | | | | | | | | | | | | | | | | | | | | | | | | | | | | | | | | | | | | | | | | | | | | | | | | | | | | | | | | | | | | | | | | | | | | | | | | | | | | | | | | | | | | | | | | | | | | | | | | | | | | | | | | | | | | | | | | | | | | | | | | | | | | | | | | | | | | | | | | | | | | | | | | | | | | | | | | | | | | | | | | | | | | | | | | | | | | | | | | | | | | | | | | | | | | | | | | | | | | | | | | | | | | | | | | | | | | | | | | | | | | | | | | | | | | | | | | | | | | | | | | | | | | | | | | | | | | | | | | | | | | | | | | | | | | | | | | | | | | | | | | | | | | | | | | | | | | | | | | | | | | | | | | | | | | | | | | | | | | | | | | | | | | | | | | | | | | | | | | | | | | | | | | | | | | | | | | | | | | | | | | | | | | | | | | | | | | | | | | | | | | | | | | | | | | | | | | | | | | | | | | | | | | | | | | | | | | | | | | | | | | | | | | | | | | | | | | | | | | | | | | | | | | | | | | | | | | | | | | | | | | | | | | | | | | | | | | | | | | | | | | |
| GT | 24 | GTC | GPA | AF Amplifier | MN | 24 | MOT | GPA | AF Power Amp | MN | 25 | MOT | GPA | AF Power Amp | CK | 26 | RK | MOT | Switching | MN | 26 | MOT | GPA | AF Power Amp | MN | 28 | MOT | GPA | AF Power Amp | MN | 29 | MOT | GPA | AF Power Amp | GT | 34 | GTC | GPA | AF Amplifier | RR | 34 | RR | GPA | AF Amplifier | T | 34A | NU | GPA | AF Amplifier | T | 34B | NU | GPA | AF Amplifier | T | 34C | NU | GPA | AF Amplifier | T | 34D | NU | GPA | AF Amplifier | T | 34E | NU | GPA | AF Amplifier | T | 34F | NU | GPA | AF Amplifier | GT | 34HV | GTC | GPA | Switching | GT | 34S | GTC | GPA | Detector | GT | 38 | GTC | GPA | AF Amplifier | RR | 38 | RR | GPA | AF Amplifier | OC | 44 | AMP | GPA | RF Amplifier | OC | 45 | AMP | GPA | RF Amplifier | OC | 50 | AMP | GC | Oscillator | OC | 51 | AMP | GC | Switching | OC | 65 | AMP | GC | AF Amplifier | CT | 66 | GTC | GPA | Photo Use | OC | 66 | AMP | GPA | AF Amplifier | RR | 66 | RR | SD | AF Amplifier | OC | 70 | AMP | GPA | AF Amplifier | OC | 71 | AMP | GPA | RF Amplifier | OC | 72 | AMP | GMA | AF Amplifier | ZJ | 72 | GE | GNG | VHF Amplifier | OC | 73 | AMP | GPA | AF Amplifier | ZJ | 73 | GE | GNG | AF Amplifier | GT | 74 | GTC | GPA | AF Amplifier | GT | 75 | GTC | GPA | AF Amplifier | OC | 76 | AMP | GPA | Switching | GT | 81 | GTC | GPA | AF Amplifier | GT | 81H | GTC | GPA | AF Amplifier | GT | 81HS | GTC | GPA | AF Amplifier | GT | 82 | GTC | GPA | Switching | GT | 83 | GTC | GPA | Switching | GT | 87 | GTC | GPA | Switching | GT | 88 | GTC | GPA | Switching | DR | 100 | TS | GPA | AF Amplifier | DR | 101 | TS | GPA | AF Amplifier | DR | 102 | TS | GPA | AF Amplifier | GT | 109 | GTC | GPA | AF Amplifier | GT | 122 | GTC | GPA | Switching | GT | 123 | GTC | GPA | Switching | RR | 125 | RR | GPA | AF Amplifier | DR | 126 | TS | GPA | AF Amplifier | DR | 128 | TS | GPA | AF Amplifier | DR | 129 | TS | GPA | General Use | DR | 130 | TS | GPA | General Use | DR | 131 | TS | GPA | General Use | DR | 132 | TS | GPA | General Use | DR | 139 | TS | GPA | General Use | DR | 147 | TS | GPA | AF Power Amp | GT | 153 | GT | GPA | Switching | DR | 154 | TS | GPA | General Use | DR | 155 | TS | GPA | General Use | TS | 161 | TS | GMA | AF Amplifier | TS | 162 | TS | GMA | General Use | TS | 163 | TS | GPA | AF Amplifier | TS | 164 | TS | GPA | AF Amplifier | TS | 165 | TS | GPA | AF Amplifier | TS | 166 | TS | GPA | AF Amplifier | GT | 167 | GTC | GPA | Switching | TS | 176 | TS | GPA | AF Power Amp | 200 | TI | GNG | GPA | General Use | 201 | TI | GNG | GPA | General Use | 202 | TI | GNG | GPA | General Use | 206 | TI | GNG | GPA | AF Amplifier | 207 | TI | GNG | GPA | AF Amplifier | 208 | TI | GNG | GPA | AF Amplifier | GT | 210 | GTC | GPA | Switching | 210 | TI | GNG | GPA | AF Amplifier | 220 | TI | GNG | GPA | AF Amplifier | 221 | TI | GNG | GPA | IF Amplifier | GT | 222 | GTC | GPA | General Use | 222 | TI | GNG | GPA | IF Amplifier | 223 | TI | GNG | GPA | Converter | 224 | TI | GNG | GPA | Detector | 225 | TI | GNG | GPA | IF Amplifier | 227 | TI | GNG | GPA | IF Amplifier | 228 | TI | GNG | GPA | Detector | GT | 229 | GTC | GNA | AF Amplifier | 234 | TI | CNA | IF Amplifier | IF Amplifier | 235 | TI | GNA | GPA | Converter | GT | 269 | GTC | GPA | RF Amplifier | 301 | TI | GPA | AF Amplifier | AF Amplifier | 302 | TI | GPA | AF Amplifier | AF Amplifier | 310 | TI | GPA | AF Amplifier | AF Amplifier | 310 | TI | GPA | AF Amplifier | AF Amplifier | | | | | | | | | | | | | | | | | | | | | | | | | | | | | | | | | | | | | | | | | | | | | | | | | | | | | | | | | | | | | | | | | | | | | | | | | | | | | | | | | | | | | | | | | | | | | | | | | | | | | | | | | | | | | | | | | | | | | | | | | | | | | | | | | | | | | | | | | | | | | | | | | | | | | | | | | | | | | | | | | | | | | | | | | | | | | | | | | | | | | | | | | | | | | | | | | | | | | | | | | | | | | | | | | | | | | | | | | | | | | | | | | | | | | | | | | | | | | | | | | | | | | | | | | | | | | | | | | | | | | | | | | | | | | | | | | | | | | | | | | | | | | | | | | | | | | | | | | | | | | | | | | | | | | | | | | | | | | | | | | | | | | | | | | | | | | | | | | | | | | | | | | | | | | | | | | | | | | | | | | | | | | | | | | | | | | | | | | | | | | | | | | | | | | | | | | | | | | | | | | | | | | | | | | | | | | | | | | | | | | | | | | | | | | | | | | | | | | | | | | | | | | | | | | | | | | | | | | | | | | | | | | | | | | | | | | | | | | | | | | | | | | | | | | | | | | | | | | | | | | | | | | | | | | | | | | | | | | | | | | | | | | | | | | | | | | | | | | | | | | | | | | | | | | | | | | | | |
| MN | 24 | MOT | GPA | AF Power Amp | MN | 25 | MOT | GPA | AF Power Amp | CK | 26 | RK | MOT | Switching | MN | 26 | MOT | GPA | AF Power Amp | MN | 28 | MOT | GPA | AF Power Amp | MN | 29 | MOT | GPA | AF Power Amp | GT | 34 | GTC | GPA | AF Amplifier | RR | 34 | RR | GPA | AF Amplifier | T | 34A | NU | GPA | AF Amplifier | T | 34B | NU | GPA | AF Amplifier | T | 34C | NU | GPA | AF Amplifier | T | 34D | NU | GPA | AF Amplifier | T | 34E | NU | GPA | AF Amplifier | T | 34F | NU | GPA | AF Amplifier | GT | 34HV | GTC | GPA | Switching | GT | 34S | GTC | GPA | Detector | GT | 38 | GTC | GPA | AF Amplifier | RR | 38 | RR | GPA | AF Amplifier | OC | 44 | AMP | GPA | RF Amplifier | OC | 45 | AMP | GPA | RF Amplifier | OC | 50 | AMP | GC | Oscillator | OC | 51 | AMP | GC | Switching | OC | 65 | AMP | GC | AF Amplifier | CT | 66 | GTC | GPA | Photo Use | OC | 66 | AMP | GPA | AF Amplifier | RR | 66 | RR | SD | AF Amplifier | OC | 70 | AMP | GPA | AF Amplifier | OC | 71 | AMP | GPA | RF Amplifier | OC | 72 | AMP | GMA | AF Amplifier | ZJ | 72 | GE | GNG | VHF Amplifier | OC | 73 | AMP | GPA | AF Amplifier | ZJ | 73 | GE | GNG | AF Amplifier | GT | 74 | GTC | GPA | AF Amplifier | GT | 75 | GTC | GPA | AF Amplifier | OC | 76 | AMP | GPA | Switching | GT | 81 | GTC | GPA | AF Amplifier | GT | 81H | GTC | GPA | AF Amplifier | GT | 81HS | GTC | GPA | AF Amplifier | GT | 82 | GTC | GPA | Switching | GT | 83 | GTC | GPA | Switching | GT | 87 | GTC | GPA | Switching | GT | 88 | GTC | GPA | Switching | DR | 100 | TS | GPA | AF Amplifier | DR | 101 | TS | GPA | AF Amplifier | DR | 102 | TS | GPA | AF Amplifier | GT | 109 | GTC | GPA | AF Amplifier | GT | 122 | GTC | GPA | Switching | GT | 123 | GTC | GPA | Switching | RR | 125 | RR | GPA | AF Amplifier | DR | 126 | TS | GPA | AF Amplifier | DR | 128 | TS | GPA | AF Amplifier | DR | 129 | TS | GPA | General Use | DR | 130 | TS | GPA | General Use | DR | 131 | TS | GPA | General Use | DR | 132 | TS | GPA | General Use | DR | 139 | TS | GPA | General Use | DR | 147 | TS | GPA | AF Power Amp | GT | 153 | GT | GPA | Switching | DR | 154 | TS | GPA | General Use | DR | 155 | TS | GPA | General Use | TS | 161 | TS | GMA | AF Amplifier | TS | 162 | TS | GMA | General Use | TS | 163 | TS | GPA | AF Amplifier | TS | 164 | TS | GPA | AF Amplifier | TS | 165 | TS | GPA | AF Amplifier | TS | 166 | TS | GPA | AF Amplifier | GT | 167 | GTC | GPA | Switching | TS | 176 | TS | GPA | AF Power Amp | 200 | TI | GNG | GPA | General Use | 201 | TI | GNG | GPA | General Use | 202 | TI | GNG | GPA | General Use | 206 | TI | GNG | GPA | AF Amplifier | 207 | TI | GNG | GPA | AF Amplifier | 208 | TI | GNG | GPA | AF Amplifier | GT | 210 | GTC | GPA | Switching | 210 | TI | GNG | GPA | AF Amplifier | 220 | TI | GNG | GPA | AF Amplifier | 221 | TI | GNG | GPA | IF Amplifier | GT | 222 | GTC | GPA | General Use | 222 | TI | GNG | GPA | IF Amplifier | 223 | TI | GNG | GPA | Converter | 224 | TI | GNG | GPA | Detector | 225 | TI | GNG | GPA | IF Amplifier | 227 | TI | GNG | GPA | IF Amplifier | 228 | TI | GNG | GPA | Detector | GT | 229 | GTC | GNA | AF Amplifier | 234 | TI | CNA | IF Amplifier | IF Amplifier | 235 | TI | GNA | GPA | Converter | GT | 269 | GTC | GPA | RF Amplifier | 301 | TI | GPA | AF Amplifier | AF Amplifier | 302 | TI | GPA | AF Amplifier | AF Amplifier | 310 | TI | GPA | AF Amplifier | AF Amplifier | 310 | TI | GPA | AF Amplifier | AF Amplifier | | | | | | | | | | | | | | | | | | | | | | | | | | | | | | | | | | | | | | | | | | | | | | | | | | | | | | | | | | | | | | | | | | | | | | | | | | | | | | | | | | | | | | | | | | | | | | | | | | | | | | | | | | | | | | | | | | | | | | | | | | | | | | | | | | | | | | | | | | | | | | | | | | | | | | | | | | | | | | | | | | | | | | | | | | | | | | | | | | | | | | | | | | | | | | | | | | | | | | | | | | | | | | | | | | | | | | | | | | | | | | | | | | | | | | | | | | | | | | | | | | | | | | | | | | | | | | | | | | | | | | | | | | | | | | | | | | | | | | | | | | | | | | | | | | | | | | | | | | | | | | | | | | | | | | | | | | | | | | | | | | | | | | | | | | | | | | | | | | | | | | | | | | | | | | | | | | | | | | | | | | | | | | | | | | | | | | | | | | | | | | | | | | | | | | | | | | | | | | | | | | | | | | | | | | | | | | | | | | | | | | | | | | | | | | | | | | | | | | | | | | | | | | | | | | | | | | | | | | | | | | | | | | | | | | | | | | | | | | | | | | | | | | | | | | | | | | | | | | | | | | | | | | | | | | | | | | | | | | | | | | | | | | | | | | | | | | | | | | | | | | | | | | | | | | | | | | | | | | | | |
| MN | 25 | MOT | GPA | AF Power Amp | CK | 26 | RK | MOT | Switching | MN | 26 | MOT | GPA | AF Power Amp | MN | 28 | MOT | GPA | AF Power Amp | MN | 29 | MOT | GPA | AF Power Amp | GT | 34 | GTC | GPA | AF Amplifier | RR | 34 | RR | GPA | AF Amplifier | T | 34A | NU | GPA | AF Amplifier | T | 34B | NU | GPA | AF Amplifier | T | 34C | NU | GPA | AF Amplifier | T | 34D | NU | GPA | AF Amplifier | T | 34E | NU | GPA | AF Amplifier | T | 34F | NU | GPA | AF Amplifier | GT | 34HV | GTC | GPA | Switching | GT | 34S | GTC | GPA | Detector | GT | 38 | GTC | GPA | AF Amplifier | RR | 38 | RR | GPA | AF Amplifier | OC | 44 | AMP | GPA | RF Amplifier | OC | 45 | AMP | GPA | RF Amplifier | OC | 50 | AMP | GC | Oscillator | OC | 51 | AMP | GC | Switching | OC | 65 | AMP | GC | AF Amplifier | CT | 66 | GTC | GPA | Photo Use | OC | 66 | AMP | GPA | AF Amplifier | RR | 66 | RR | SD | AF Amplifier | OC | 70 | AMP | GPA | AF Amplifier | OC | 71 | AMP | GPA | RF Amplifier | OC | 72 | AMP | GMA | AF Amplifier | ZJ | 72 | GE | GNG | VHF Amplifier | OC | 73 | AMP | GPA | AF Amplifier | ZJ | 73 | GE | GNG | AF Amplifier | GT | 74 | GTC | GPA | AF Amplifier | GT | 75 | GTC | GPA | AF Amplifier | OC | 76 | AMP | GPA | Switching | GT | 81 | GTC | GPA | AF Amplifier | GT | 81H | GTC | GPA | AF Amplifier | GT | 81HS | GTC | GPA | AF Amplifier | GT | 82 | GTC | GPA | Switching | GT | 83 | GTC | GPA | Switching | GT | 87 | GTC | GPA | Switching | GT | 88 | GTC | GPA | Switching | DR | 100 | TS | GPA | AF Amplifier | DR | 101 | TS | GPA | AF Amplifier | DR | 102 | TS | GPA | AF Amplifier | GT | 109 | GTC | GPA | AF Amplifier | GT | 122 | GTC | GPA | Switching | GT | 123 | GTC | GPA | Switching | RR | 125 | RR | GPA | AF Amplifier | DR | 126 | TS | GPA | AF Amplifier | DR | 128 | TS | GPA | AF Amplifier | DR | 129 | TS | GPA | General Use | DR | 130 | TS | GPA | General Use | DR | 131 | TS | GPA | General Use | DR | 132 | TS | GPA | General Use | DR | 139 | TS | GPA | General Use | DR | 147 | TS | GPA | AF Power Amp | GT | 153 | GT | GPA | Switching | DR | 154 | TS | GPA | General Use | DR | 155 | TS | GPA | General Use | TS | 161 | TS | GMA | AF Amplifier | TS | 162 | TS | GMA | General Use | TS | 163 | TS | GPA | AF Amplifier | TS | 164 | TS | GPA | AF Amplifier | TS | 165 | TS | GPA | AF Amplifier | TS | 166 | TS | GPA | AF Amplifier | GT | 167 | GTC | GPA | Switching | TS | 176 | TS | GPA | AF Power Amp | 200 | TI | GNG | GPA | General Use | 201 | TI | GNG | GPA | General Use | 202 | TI | GNG | GPA | General Use | 206 | TI | GNG | GPA | AF Amplifier | 207 | TI | GNG | GPA | AF Amplifier | 208 | TI | GNG | GPA | AF Amplifier | GT | 210 | GTC | GPA | Switching | 210 | TI | GNG | GPA | AF Amplifier | 220 | TI | GNG | GPA | AF Amplifier | 221 | TI | GNG | GPA | IF Amplifier | GT | 222 | GTC | GPA | General Use | 222 | TI | GNG | GPA | IF Amplifier | 223 | TI | GNG | GPA | Converter | 224 | TI | GNG | GPA | Detector | 225 | TI | GNG | GPA | IF Amplifier | 227 | TI | GNG | GPA | IF Amplifier | 228 | TI | GNG | GPA | Detector | GT | 229 | GTC | GNA | AF Amplifier | 234 | TI | CNA | IF Amplifier | IF Amplifier | 235 | TI | GNA | GPA | Converter | GT | 269 | GTC | GPA | RF Amplifier | 301 | TI | GPA | AF Amplifier | AF Amplifier | 302 | TI | GPA | AF Amplifier | AF Amplifier | 310 | TI | GPA | AF Amplifier | AF Amplifier | 310 | TI | GPA | AF Amplifier | AF Amplifier | | | | | | | | | | | | | | | | | | | | | | | | | | | | | | | | | | | | | | | | | | | | | | | | | | | | | | | | | | | | | | | | | | | | | | | | | | | | | | | | | | | | | | | | | | | | | | | | | | | | | | | | | | | | | | | | | | | | | | | | | | | | | | | | | | | | | | | | | | | | | | | | | | | | | | | | | | | | | | | | | | | | | | | | | | | | | | | | | | | | | | | | | | | | | | | | | | | | | | | | | | | | | | | | | | | | | | | | | | | | | | | | | | | | | | | | | | | | | | | | | | | | | | | | | | | | | | | | | | | | | | | | | | | | | | | | | | | | | | | | | | | | | | | | | | | | | | | | | | | | | | | | | | | | | | | | | | | | | | | | | | | | | | | | | | | | | | | | | | | | | | | | | | | | | | | | | | | | | | | | | | | | | | | | | | | | | | | | | | | | | | | | | | | | | | | | | | | | | | | | | | | | | | | | | | | | | | | | | | | | | | | | | | | | | | | | | | | | | | | | | | | | | | | | | | | | | | | | | | | | | | | | | | | | | | | | | | | | | | | | | | | | | | | | | | | | | | | | | | | | | | | | | | | | | | | | | | | | | | | | | | | | | | | | | | | | | | | | | | | | | | | | | | | | | | | | | | | | | | | | | | | | | |
| CK | 26 | RK | MOT | Switching | MN | 26 | MOT | GPA | AF Power Amp | MN | 28 | MOT | GPA | AF Power Amp | MN | 29 | MOT | GPA | AF Power Amp | GT | 34 | GTC | GPA | AF Amplifier | RR | 34 | RR | GPA | AF Amplifier | T | 34A | NU | GPA | AF Amplifier | T | 34B | NU | GPA | AF Amplifier | T | 34C | NU | GPA | AF Amplifier | T | 34D | NU | GPA | AF Amplifier | T | 34E | NU | GPA | AF Amplifier | T | 34F | NU | GPA | AF Amplifier | GT | 34HV | GTC | GPA | Switching | GT | 34S | GTC | GPA | Detector | GT | 38 | GTC | GPA | AF Amplifier | RR | 38 | RR | GPA | AF Amplifier | OC | 44 | AMP | GPA | RF Amplifier | OC | 45 | AMP | GPA | RF Amplifier | OC | 50 | AMP | GC | Oscillator | OC | 51 | AMP | GC | Switching | OC | 65 | AMP | GC | AF Amplifier | CT | 66 | GTC | GPA | Photo Use | OC | 66 | AMP | GPA | AF Amplifier | RR | 66 | RR | SD | AF Amplifier | OC | 70 | AMP | GPA | AF Amplifier | OC | 71 | AMP | GPA | RF Amplifier | OC | 72 | AMP | GMA | AF Amplifier | ZJ | 72 | GE | GNG | VHF Amplifier | OC | 73 | AMP | GPA | AF Amplifier | ZJ | 73 | GE | GNG | AF Amplifier | GT | 74 | GTC | GPA | AF Amplifier | GT | 75 | GTC | GPA | AF Amplifier | OC | 76 | AMP | GPA | Switching | GT | 81 | GTC | GPA | AF Amplifier | GT | 81H | GTC | GPA | AF Amplifier | GT | 81HS | GTC | GPA | AF Amplifier | GT | 82 | GTC | GPA | Switching | GT | 83 | GTC | GPA | Switching | GT | 87 | GTC | GPA | Switching | GT | 88 | GTC | GPA | Switching | DR | 100 | TS | GPA | AF Amplifier | DR | 101 | TS | GPA | AF Amplifier | DR | 102 | TS | GPA | AF Amplifier | GT | 109 | GTC | GPA | AF Amplifier | GT | 122 | GTC | GPA | Switching | GT | 123 | GTC | GPA | Switching | RR | 125 | RR | GPA | AF Amplifier | DR | 126 | TS | GPA | AF Amplifier | DR | 128 | TS | GPA | AF Amplifier | DR | 129 | TS | GPA | General Use | DR | 130 | TS | GPA | General Use | DR | 131 | TS | GPA | General Use | DR | 132 | TS | GPA | General Use | DR | 139 | TS | GPA | General Use | DR | 147 | TS | GPA | AF Power Amp | GT | 153 | GT | GPA | Switching | DR | 154 | TS | GPA | General Use | DR | 155 | TS | GPA | General Use | TS | 161 | TS | GMA | AF Amplifier | TS | 162 | TS | GMA | General Use | TS | 163 | TS | GPA | AF Amplifier | TS | 164 | TS | GPA | AF Amplifier | TS | 165 | TS | GPA | AF Amplifier | TS | 166 | TS | GPA | AF Amplifier | GT | 167 | GTC | GPA | Switching | TS | 176 | TS | GPA | AF Power Amp | 200 | TI | GNG | GPA | General Use | 201 | TI | GNG | GPA | General Use | 202 | TI | GNG | GPA | General Use | 206 | TI | GNG | GPA | AF Amplifier | 207 | TI | GNG | GPA | AF Amplifier | 208 | TI | GNG | GPA | AF Amplifier | GT | 210 | GTC | GPA | Switching | 210 | TI | GNG | GPA | AF Amplifier | 220 | TI | GNG | GPA | AF Amplifier | 221 | TI | GNG | GPA | IF Amplifier | GT | 222 | GTC | GPA | General Use | 222 | TI | GNG | GPA | IF Amplifier | 223 | TI | GNG | GPA | Converter | 224 | TI | GNG | GPA | Detector | 225 | TI | GNG | GPA | IF Amplifier | 227 | TI | GNG | GPA | IF Amplifier | 228 | TI | GNG | GPA | Detector | GT | 229 | GTC | GNA | AF Amplifier | 234 | TI | CNA | IF Amplifier | IF Amplifier | 235 | TI | GNA | GPA | Converter | GT | 269 | GTC | GPA | RF Amplifier | 301 | TI | GPA | AF Amplifier | AF Amplifier | 302 | TI | GPA | AF Amplifier | AF Amplifier | 310 | TI | GPA | AF Amplifier | AF Amplifier | 310 | TI | GPA | AF Amplifier | AF Amplifier | | | | | | | | | | | | | | | | | | | | | | | | | | | | | | | | | | | | | | | | | | | | | | | | | | | | | | | | | | | | | | | | | | | | | | | | | | | | | | | | | | | | | | | | | | | | | | | | | | | | | | | | | | | | | | | | | | | | | | | | | | | | | | | | | | | | | | | | | | | | | | | | | | | | | | | | | | | | | | | | | | | | | | | | | | | | | | | | | | | | | | | | | | | | | | | | | | | | | | | | | | | | | | | | | | | | | | | | | | | | | | | | | | | | | | | | | | | | | | | | | | | | | | | | | | | | | | | | | | | | | | | | | | | | | | | | | | | | | | | | | | | | | | | | | | | | | | | | | | | | | | | | | | | | | | | | | | | | | | | | | | | | | | | | | | | | | | | | | | | | | | | | | | | | | | | | | | | | | | | | | | | | | | | | | | | | | | | | | | | | | | | | | | | | | | | | | | | | | | | | | | | | | | | | | | | | | | | | | | | | | | | | | | | | | | | | | | | | | | | | | | | | | | | | | | | | | | | | | | | | | | | | | | | | | | | | | | | | | | | | | | | | | | | | | | | | | | | | | | | | | | | | | | | | | | | | | | | | | | | | | | | | | | | | | | | | | | | | | | | | | | | | | | | | | | | | | | | | | | | | | | | | | | | | | | |
| MN | 26 | MOT | GPA | AF Power Amp | MN | 28 | MOT | GPA | AF Power Amp | MN | 29 | MOT | GPA | AF Power Amp | GT | 34 | GTC | GPA | AF Amplifier | RR | 34 | RR | GPA | AF Amplifier | T | 34A | NU | GPA | AF Amplifier | T | 34B | NU | GPA | AF Amplifier | T | 34C | NU | GPA | AF Amplifier | T | 34D | NU | GPA | AF Amplifier | T | 34E | NU | GPA | AF Amplifier | T | 34F | NU | GPA | AF Amplifier | GT | 34HV | GTC | GPA | Switching | GT | 34S | GTC | GPA | Detector | GT | 38 | GTC | GPA | AF Amplifier | RR | 38 | RR | GPA | AF Amplifier | OC | 44 | AMP | GPA | RF Amplifier | OC | 45 | AMP | GPA | RF Amplifier | OC | 50 | AMP | GC | Oscillator | OC | 51 | AMP | GC | Switching | OC | 65 | AMP | GC | AF Amplifier | CT | 66 | GTC | GPA | Photo Use | OC | 66 | AMP | GPA | AF Amplifier | RR | 66 | RR | SD | AF Amplifier | OC | 70 | AMP | GPA | AF Amplifier | OC | 71 | AMP | GPA | RF Amplifier | OC | 72 | AMP | GMA | AF Amplifier | ZJ | 72 | GE | GNG | VHF Amplifier | OC | 73 | AMP | GPA | AF Amplifier | ZJ | 73 | GE | GNG | AF Amplifier | GT | 74 | GTC | GPA | AF Amplifier | GT | 75 | GTC | GPA | AF Amplifier | OC | 76 | AMP | GPA | Switching | GT | 81 | GTC | GPA | AF Amplifier | GT | 81H | GTC | GPA | AF Amplifier | GT | 81HS | GTC | GPA | AF Amplifier | GT | 82 | GTC | GPA | Switching | GT | 83 | GTC | GPA | Switching | GT | 87 | GTC | GPA | Switching | GT | 88 | GTC | GPA | Switching | DR | 100 | TS | GPA | AF Amplifier | DR | 101 | TS | GPA | AF Amplifier | DR | 102 | TS | GPA | AF Amplifier | GT | 109 | GTC | GPA | AF Amplifier | GT | 122 | GTC | GPA | Switching | GT | 123 | GTC | GPA | Switching | RR | 125 | RR | GPA | AF Amplifier | DR | 126 | TS | GPA | AF Amplifier | DR | 128 | TS | GPA | AF Amplifier | DR | 129 | TS | GPA | General Use | DR | 130 | TS | GPA | General Use | DR | 131 | TS | GPA | General Use | DR | 132 | TS | GPA | General Use | DR | 139 | TS | GPA | General Use | DR | 147 | TS | GPA | AF Power Amp | GT | 153 | GT | GPA | Switching | DR | 154 | TS | GPA | General Use | DR | 155 | TS | GPA | General Use | TS | 161 | TS | GMA | AF Amplifier | TS | 162 | TS | GMA | General Use | TS | 163 | TS | GPA | AF Amplifier | TS | 164 | TS | GPA | AF Amplifier | TS | 165 | TS | GPA | AF Amplifier | TS | 166 | TS | GPA | AF Amplifier | GT | 167 | GTC | GPA | Switching | TS | 176 | TS | GPA | AF Power Amp | 200 | TI | GNG | GPA | General Use | 201 | TI | GNG | GPA | General Use | 202 | TI | GNG | GPA | General Use | 206 | TI | GNG | GPA | AF Amplifier | 207 | TI | GNG | GPA | AF Amplifier | 208 | TI | GNG | GPA | AF Amplifier | GT | 210 | GTC | GPA | Switching | 210 | TI | GNG | GPA | AF Amplifier | 220 | TI | GNG | GPA | AF Amplifier | 221 | TI | GNG | GPA | IF Amplifier | GT | 222 | GTC | GPA | General Use | 222 | TI | GNG | GPA | IF Amplifier | 223 | TI | GNG | GPA | Converter | 224 | TI | GNG | GPA | Detector | 225 | TI | GNG | GPA | IF Amplifier | 227 | TI | GNG | GPA | IF Amplifier | 228 | TI | GNG | GPA | Detector | GT | 229 | GTC | GNA | AF Amplifier | 234 | TI | CNA | IF Amplifier | IF Amplifier | 235 | TI | GNA | GPA | Converter | GT | 269 | GTC | GPA | RF Amplifier | 301 | TI | GPA | AF Amplifier | AF Amplifier | 302 | TI | GPA | AF Amplifier | AF Amplifier | 310 | TI | GPA | AF Amplifier | AF Amplifier | 310 | TI | GPA | AF Amplifier | AF Amplifier | | | | | | | | | | | | | | | | | | | | | | | | | | | | | | | | | | | | | | | | | | | | | | | | | | | | | | | | | | | | | | | | | | | | | | | | | | | | | | | | | | | | | | | | | | | | | | | | | | | | | | | | | | | | | | | | | | | | | | | | | | | | | | | | | | | | | | | | | | | | | | | | | | | | | | | | | | | | | | | | | | | | | | | | | | | | | | | | | | | | | | | | | | | | | | | | | | | | | | | | | | | | | | | | | | | | | | | | | | | | | | | | | | | | | | | | | | | | | | | | | | | | | | | | | | | | | | | | | | | | | | | | | | | | | | | | | | | | | | | | | | | | | | | | | | | | | | | | | | | | | | | | | | | | | | | | | | | | | | | | | | | | | | | | | | | | | | | | | | | | | | | | | | | | | | | | | | | | | | | | | | | | | | | | | | | | | | | | | | | | | | | | | | | | | | | | | | | | | | | | | | | | | | | | | | | | | | | | | | | | | | | | | | | | | | | | | | | | | | | | | | | | | | | | | | | | | | | | | | | | | | | | | | | | | | | | | | | | | | | | | | | | | | | | | | | | | | | | | | | | | | | | | | | | | | | | | | | | | | | | | | | | | | | | | | | | | | | | | | | | | | | | | | | | | | | | | | | | | | | | | | | | | | | | | | | | | | | |
| MN | 28 | MOT | GPA | AF Power Amp | MN | 29 | MOT | GPA | AF Power Amp | GT | 34 | GTC | GPA | AF Amplifier | RR | 34 | RR | GPA | AF Amplifier | T | 34A | NU | GPA | AF Amplifier | T | 34B | NU | GPA | AF Amplifier | T | 34C | NU | GPA | AF Amplifier | T | 34D | NU | GPA | AF Amplifier | T | 34E | NU | GPA | AF Amplifier | T | 34F | NU | GPA | AF Amplifier | GT | 34HV | GTC | GPA | Switching | GT | 34S | GTC | GPA | Detector | GT | 38 | GTC | GPA | AF Amplifier | RR | 38 | RR | GPA | AF Amplifier | OC | 44 | AMP | GPA | RF Amplifier | OC | 45 | AMP | GPA | RF Amplifier | OC | 50 | AMP | GC | Oscillator | OC | 51 | AMP | GC | Switching | OC | 65 | AMP | GC | AF Amplifier | CT | 66 | GTC | GPA | Photo Use | OC | 66 | AMP | GPA | AF Amplifier | RR | 66 | RR | SD | AF Amplifier | OC | 70 | AMP | GPA | AF Amplifier | OC | 71 | AMP | GPA | RF Amplifier | OC | 72 | AMP | GMA | AF Amplifier | ZJ | 72 | GE | GNG | VHF Amplifier | OC | 73 | AMP | GPA | AF Amplifier | ZJ | 73 | GE | GNG | AF Amplifier | GT | 74 | GTC | GPA | AF Amplifier | GT | 75 | GTC | GPA | AF Amplifier | OC | 76 | AMP | GPA | Switching | GT | 81 | GTC | GPA | AF Amplifier | GT | 81H | GTC | GPA | AF Amplifier | GT | 81HS | GTC | GPA | AF Amplifier | GT | 82 | GTC | GPA | Switching | GT | 83 | GTC | GPA | Switching | GT | 87 | GTC | GPA | Switching | GT | 88 | GTC | GPA | Switching | DR | 100 | TS | GPA | AF Amplifier | DR | 101 | TS | GPA | AF Amplifier | DR | 102 | TS | GPA | AF Amplifier | GT | 109 | GTC | GPA | AF Amplifier | GT | 122 | GTC | GPA | Switching | GT | 123 | GTC | GPA | Switching | RR | 125 | RR | GPA | AF Amplifier | DR | 126 | TS | GPA | AF Amplifier | DR | 128 | TS | GPA | AF Amplifier | DR | 129 | TS | GPA | General Use | DR | 130 | TS | GPA | General Use | DR | 131 | TS | GPA | General Use | DR | 132 | TS | GPA | General Use | DR | 139 | TS | GPA | General Use | DR | 147 | TS | GPA | AF Power Amp | GT | 153 | GT | GPA | Switching | DR | 154 | TS | GPA | General Use | DR | 155 | TS | GPA | General Use | TS | 161 | TS | GMA | AF Amplifier | TS | 162 | TS | GMA | General Use | TS | 163 | TS | GPA | AF Amplifier | TS | 164 | TS | GPA | AF Amplifier | TS | 165 | TS | GPA | AF Amplifier | TS | 166 | TS | GPA | AF Amplifier | GT | 167 | GTC | GPA | Switching | TS | 176 | TS | GPA | AF Power Amp | 200 | TI | GNG | GPA | General Use | 201 | TI | GNG | GPA | General Use | 202 | TI | GNG | GPA | General Use | 206 | TI | GNG | GPA | AF Amplifier | 207 | TI | GNG | GPA | AF Amplifier | 208 | TI | GNG | GPA | AF Amplifier | GT | 210 | GTC | GPA | Switching | 210 | TI | GNG | GPA | AF Amplifier | 220 | TI | GNG | GPA | AF Amplifier | 221 | TI | GNG | GPA | IF Amplifier | GT | 222 | GTC | GPA | General Use | 222 | TI | GNG | GPA | IF Amplifier | 223 | TI | GNG | GPA | Converter | 224 | TI | GNG | GPA | Detector | 225 | TI | GNG | GPA | IF Amplifier | 227 | TI | GNG | GPA | IF Amplifier | 228 | TI | GNG | GPA | Detector | GT | 229 | GTC | GNA | AF Amplifier | 234 | TI | CNA | IF Amplifier | IF Amplifier | 235 | TI | GNA | GPA | Converter | GT | 269 | GTC | GPA | RF Amplifier | 301 | TI | GPA | AF Amplifier | AF Amplifier | 302 | TI | GPA | AF Amplifier | AF Amplifier | 310 | TI | GPA | AF Amplifier | AF Amplifier | 310 | TI | GPA | AF Amplifier | AF Amplifier | | | | | | | | | | | | | | | | | | | | | | | | | | | | | | | | | | | | | | | | | | | | | | | | | | | | | | | | | | | | | | | | | | | | | | | | | | | | | | | | | | | | | | | | | | | | | | | | | | | | | | | | | | | | | | | | | | | | | | | | | | | | | | | | | | | | | | | | | | | | | | | | | | | | | | | | | | | | | | | | | | | | | | | | | | | | | | | | | | | | | | | | | | | | | | | | | | | | | | | | | | | | | | | | | | | | | | | | | | | | | | | | | | | | | | | | | | | | | | | | | | | | | | | | | | | | | | | | | | | | | | | | | | | | | | | | | | | | | | | | | | | | | | | | | | | | | | | | | | | | | | | | | | | | | | | | | | | | | | | | | | | | | | | | | | | | | | | | | | | | | | | | | | | | | | | | | | | | | | | | | | | | | | | | | | | | | | | | | | | | | | | | | | | | | | | | | | | | | | | | | | | | | | | | | | | | | | | | | | | | | | | | | | | | | | | | | | | | | | | | | | | | | | | | | | | | | | | | | | | | | | | | | | | | | | | | | | | | | | | | | | | | | | | | | | | | | | | | | | | | | | | | | | | | | | | | | | | | | | | | | | | | | | | | | | | | | | | | | | | | | | | | | | | | | | | | | | | | | | | | | | | | | | | | | | | | | | | | | | | | |
| MN | 29 | MOT | GPA | AF Power Amp | GT | 34 | GTC | GPA | AF Amplifier | RR | 34 | RR | GPA | AF Amplifier | T | 34A | NU | GPA | AF Amplifier | T | 34B | NU | GPA | AF Amplifier | T | 34C | NU | GPA | AF Amplifier | T | 34D | NU | GPA | AF Amplifier | T | 34E | NU | GPA | AF Amplifier | T | 34F | NU | GPA | AF Amplifier | GT | 34HV | GTC | GPA | Switching | GT | 34S | GTC | GPA | Detector | GT | 38 | GTC | GPA | AF Amplifier | RR | 38 | RR | GPA | AF Amplifier | OC | 44 | AMP | GPA | RF Amplifier | OC | 45 | AMP | GPA | RF Amplifier | OC | 50 | AMP | GC | Oscillator | OC | 51 | AMP | GC | Switching | OC | 65 | AMP | GC | AF Amplifier | CT | 66 | GTC | GPA | Photo Use | OC | 66 | AMP | GPA | AF Amplifier | RR | 66 | RR | SD | AF Amplifier | OC | 70 | AMP | GPA | AF Amplifier | OC | 71 | AMP | GPA | RF Amplifier | OC | 72 | AMP | GMA | AF Amplifier | ZJ | 72 | GE | GNG | VHF Amplifier | OC | 73 | AMP | GPA | AF Amplifier | ZJ | 73 | GE | GNG | AF Amplifier | GT | 74 | GTC | GPA | AF Amplifier | GT | 75 | GTC | GPA | AF Amplifier | OC | 76 | AMP | GPA | Switching | GT | 81 | GTC | GPA | AF Amplifier | GT | 81H | GTC | GPA | AF Amplifier | GT | 81HS | GTC | GPA | AF Amplifier | GT | 82 | GTC | GPA | Switching | GT | 83 | GTC | GPA | Switching | GT | 87 | GTC | GPA | Switching | GT | 88 | GTC | GPA | Switching | DR | 100 | TS | GPA | AF Amplifier | DR | 101 | TS | GPA | AF Amplifier | DR | 102 | TS | GPA | AF Amplifier | GT | 109 | GTC | GPA | AF Amplifier | GT | 122 | GTC | GPA | Switching | GT | 123 | GTC | GPA | Switching | RR | 125 | RR | GPA | AF Amplifier | DR | 126 | TS | GPA | AF Amplifier | DR | 128 | TS | GPA | AF Amplifier | DR | 129 | TS | GPA | General Use | DR | 130 | TS | GPA | General Use | DR | 131 | TS | GPA | General Use | DR | 132 | TS | GPA | General Use | DR | 139 | TS | GPA | General Use | DR | 147 | TS | GPA | AF Power Amp | GT | 153 | GT | GPA | Switching | DR | 154 | TS | GPA | General Use | DR | 155 | TS | GPA | General Use | TS | 161 | TS | GMA | AF Amplifier | TS | 162 | TS | GMA | General Use | TS | 163 | TS | GPA | AF Amplifier | TS | 164 | TS | GPA | AF Amplifier | TS | 165 | TS | GPA | AF Amplifier | TS | 166 | TS | GPA | AF Amplifier | GT | 167 | GTC | GPA | Switching | TS | 176 | TS | GPA | AF Power Amp | 200 | TI | GNG | GPA | General Use | 201 | TI | GNG | GPA | General Use | 202 | TI | GNG | GPA | General Use | 206 | TI | GNG | GPA | AF Amplifier | 207 | TI | GNG | GPA | AF Amplifier | 208 | TI | GNG | GPA | AF Amplifier | GT | 210 | GTC | GPA | Switching | 210 | TI | GNG | GPA | AF Amplifier | 220 | TI | GNG | GPA | AF Amplifier | 221 | TI | GNG | GPA | IF Amplifier | GT | 222 | GTC | GPA | General Use | 222 | TI | GNG | GPA | IF Amplifier | 223 | TI | GNG | GPA | Converter | 224 | TI | GNG | GPA | Detector | 225 | TI | GNG | GPA | IF Amplifier | 227 | TI | GNG | GPA | IF Amplifier | 228 | TI | GNG | GPA | Detector | GT | 229 | GTC | GNA | AF Amplifier | 234 | TI | CNA | IF Amplifier | IF Amplifier | 235 | TI | GNA | GPA | Converter | GT | 269 | GTC | GPA | RF Amplifier | 301 | TI | GPA | AF Amplifier | AF Amplifier | 302 | TI | GPA | AF Amplifier | AF Amplifier | 310 | TI | GPA | AF Amplifier | AF Amplifier | 310 | TI | GPA | AF Amplifier | AF Amplifier | | | | | | | | | | | | | | | | | | | | | | | | | | | | | | | | | | | | | | | | | | | | | | | | | | | | | | | | | | | | | | | | | | | | | | | | | | | | | | | | | | | | | | | | | | | | | | | | | | | | | | | | | | | | | | | | | | | | | | | | | | | | | | | | | | | | | | | | | | | | | | | | | | | | | | | | | | | | | | | | | | | | | | | | | | | | | | | | | | | | | | | | | | | | | | | | | | | | | | | | | | | | | | | | | | | | | | | | | | | | | | | | | | | | | | | | | | | | | | | | | | | | | | | | | | | | | | | | | | | | | | | | | | | | | | | | | | | | | | | | | | | | | | | | | | | | | | | | | | | | | | | | | | | | | | | | | | | | | | | | | | | | | | | | | | | | | | | | | | | | | | | | | | | | | | | | | | | | | | | | | | | | | | | | | | | | | | | | | | | | | | | | | | | | | | | | | | | | | | | | | | | | | | | | | | | | | | | | | | | | | | | | | | | | | | | | | | | | | | | | | | | | | | | | | | | | | | | | | | | | | | | | | | | | | | | | | | | | | | | | | | | | | | | | | | | | | | | | | | | | | | | | | | | | | | | | | | | | | | | | | | | | | | | | | | | | | | | | | | | | | | | | | | | | | | | | | | | | | | | | | | | | | | | | | | | | | | | | | | | | | | | | | |
| GT | 34 | GTC | GPA | AF Amplifier | RR | 34 | RR | GPA | AF Amplifier | T | 34A | NU | GPA | AF Amplifier | T | 34B | NU | GPA | AF Amplifier | T | 34C | NU | GPA | AF Amplifier | T | 34D | NU | GPA | AF Amplifier | T | 34E | NU | GPA | AF Amplifier | T | 34F | NU | GPA | AF Amplifier | GT | 34HV | GTC | GPA | Switching | GT | 34S | GTC | GPA | Detector | GT | 38 | GTC | GPA | AF Amplifier | RR | 38 | RR | GPA | AF Amplifier | OC | 44 | AMP | GPA | RF Amplifier | OC | 45 | AMP | GPA | RF Amplifier | OC | 50 | AMP | GC | Oscillator | OC | 51 | AMP | GC | Switching | OC | 65 | AMP | GC | AF Amplifier | CT | 66 | GTC | GPA | Photo Use | OC | 66 | AMP | GPA | AF Amplifier | RR | 66 | RR | SD | AF Amplifier | OC | 70 | AMP | GPA | AF Amplifier | OC | 71 | AMP | GPA | RF Amplifier | OC | 72 | AMP | GMA | AF Amplifier | ZJ | 72 | GE | GNG | VHF Amplifier | OC | 73 | AMP | GPA | AF Amplifier | ZJ | 73 | GE | GNG | AF Amplifier | GT | 74 | GTC | GPA | AF Amplifier | GT | 75 | GTC | GPA | AF Amplifier | OC | 76 | AMP | GPA | Switching | GT | 81 | GTC | GPA | AF Amplifier | GT | 81H | GTC | GPA | AF Amplifier | GT | 81HS | GTC | GPA | AF Amplifier | GT | 82 | GTC | GPA | Switching | GT | 83 | GTC | GPA | Switching | GT | 87 | GTC | GPA | Switching | GT | 88 | GTC | GPA | Switching | DR | 100 | TS | GPA | AF Amplifier | DR | 101 | TS | GPA | AF Amplifier | DR | 102 | TS | GPA | AF Amplifier | GT | 109 | GTC | GPA | AF Amplifier | GT | 122 | GTC | GPA | Switching | GT | 123 | GTC | GPA | Switching | RR | 125 | RR | GPA | AF Amplifier | DR | 126 | TS | GPA | AF Amplifier | DR | 128 | TS | GPA | AF Amplifier | DR | 129 | TS | GPA | General Use | DR | 130 | TS | GPA | General Use | DR | 131 | TS | GPA | General Use | DR | 132 | TS | GPA | General Use | DR | 139 | TS | GPA | General Use | DR | 147 | TS | GPA | AF Power Amp | GT | 153 | GT | GPA | Switching | DR | 154 | TS | GPA | General Use | DR | 155 | TS | GPA | General Use | TS | 161 | TS | GMA | AF Amplifier | TS | 162 | TS | GMA | General Use | TS | 163 | TS | GPA | AF Amplifier | TS | 164 | TS | GPA | AF Amplifier | TS | 165 | TS | GPA | AF Amplifier | TS | 166 | TS | GPA | AF Amplifier | GT | 167 | GTC | GPA | Switching | TS | 176 | TS | GPA | AF Power Amp | 200 | TI | GNG | GPA | General Use | 201 | TI | GNG | GPA | General Use | 202 | TI | GNG | GPA | General Use | 206 | TI | GNG | GPA | AF Amplifier | 207 | TI | GNG | GPA | AF Amplifier | 208 | TI | GNG | GPA | AF Amplifier | GT | 210 | GTC | GPA | Switching | 210 | TI | GNG | GPA | AF Amplifier | 220 | TI | GNG | GPA | AF Amplifier | 221 | TI | GNG | GPA | IF Amplifier | GT | 222 | GTC | GPA | General Use | 222 | TI | GNG | GPA | IF Amplifier | 223 | TI | GNG | GPA | Converter | 224 | TI | GNG | GPA | Detector | 225 | TI | GNG | GPA | IF Amplifier | 227 | TI | GNG | GPA | IF Amplifier | 228 | TI | GNG | GPA | Detector | GT | 229 | GTC | GNA | AF Amplifier | 234 | TI | CNA | IF Amplifier | IF Amplifier | 235 | TI | GNA | GPA | Converter | GT | 269 | GTC | GPA | RF Amplifier | 301 | TI | GPA | AF Amplifier | AF Amplifier | 302 | TI | GPA | AF Amplifier | AF Amplifier | 310 | TI | GPA | AF Amplifier | AF Amplifier | 310 | TI | GPA | AF Amplifier | AF Amplifier | | | | | | | | | | | | | | | | | | | | | | | | | | | | | | | | | | | | | | | | | | | | | | | | | | | | | | | | | | | | | | | | | | | | | | | | | | | | | | | | | | | | | | | | | | | | | | | | | | | | | | | | | | | | | | | | | | | | | | | | | | | | | | | | | | | | | | | | | | | | | | | | | | | | | | | | | | | | | | | | | | | | | | | | | | | | | | | | | | | | | | | | | | | | | | | | | | | | | | | | | | | | | | | | | | | | | | | | | | | | | | | | | | | | | | | | | | | | | | | | | | | | | | | | | | | | | | | | | | | | | | | | | | | | | | | | | | | | | | | | | | | | | | | | | | | | | | | | | | | | | | | | | | | | | | | | | | | | | | | | | | | | | | | | | | | | | | | | | | | | | | | | | | | | | | | | | | | | | | | | | | | | | | | | | | | | | | | | | | | | | | | | | | | | | | | | | | | | | | | | | | | | | | | | | | | | | | | | | | | | | | | | | | | | | | | | | | | | | | | | | | | | | | | | | | | | | | | | | | | | | | | | | | | | | | | | | | | | | | | | | | | | | | | | | | | | | | | | | | | | | | | | | | | | | | | | | | | | | | | | | | | | | | | | | | | | | | | | | | | | | | | | | | | | | | | | | | | | | | | | | | | | | | | | | | | | | | | | | | | | | | | | | | | | | | |
| RR | 34 | RR | GPA | AF Amplifier | T | 34A | NU | GPA | AF Amplifier | T | 34B | NU | GPA | AF Amplifier | T | 34C | NU | GPA | AF Amplifier | T | 34D | NU | GPA | AF Amplifier | T | 34E | NU | GPA | AF Amplifier | T | 34F | NU | GPA | AF Amplifier | GT | 34HV | GTC | GPA | Switching | GT | 34S | GTC | GPA | Detector | GT | 38 | GTC | GPA | AF Amplifier | RR | 38 | RR | GPA | AF Amplifier | OC | 44 | AMP | GPA | RF Amplifier | OC | 45 | AMP | GPA | RF Amplifier | OC | 50 | AMP | GC | Oscillator | OC | 51 | AMP | GC | Switching | OC | 65 | AMP | GC | AF Amplifier | CT | 66 | GTC | GPA | Photo Use | OC | 66 | AMP | GPA | AF Amplifier | RR | 66 | RR | SD | AF Amplifier | OC | 70 | AMP | GPA | AF Amplifier | OC | 71 | AMP | GPA | RF Amplifier | OC | 72 | AMP | GMA | AF Amplifier | ZJ | 72 | GE | GNG | VHF Amplifier | OC | 73 | AMP | GPA | AF Amplifier | ZJ | 73 | GE | GNG | AF Amplifier | GT | 74 | GTC | GPA | AF Amplifier | GT | 75 | GTC | GPA | AF Amplifier | OC | 76 | AMP | GPA | Switching | GT | 81 | GTC | GPA | AF Amplifier | GT | 81H | GTC | GPA | AF Amplifier | GT | 81HS | GTC | GPA | AF Amplifier | GT | 82 | GTC | GPA | Switching | GT | 83 | GTC | GPA | Switching | GT | 87 | GTC | GPA | Switching | GT | 88 | GTC | GPA | Switching | DR | 100 | TS | GPA | AF Amplifier | DR | 101 | TS | GPA | AF Amplifier | DR | 102 | TS | GPA | AF Amplifier | GT | 109 | GTC | GPA | AF Amplifier | GT | 122 | GTC | GPA | Switching | GT | 123 | GTC | GPA | Switching | RR | 125 | RR | GPA | AF Amplifier | DR | 126 | TS | GPA | AF Amplifier | DR | 128 | TS | GPA | AF Amplifier | DR | 129 | TS | GPA | General Use | DR | 130 | TS | GPA | General Use | DR | 131 | TS | GPA | General Use | DR | 132 | TS | GPA | General Use | DR | 139 | TS | GPA | General Use | DR | 147 | TS | GPA | AF Power Amp | GT | 153 | GT | GPA | Switching | DR | 154 | TS | GPA | General Use | DR | 155 | TS | GPA | General Use | TS | 161 | TS | GMA | AF Amplifier | TS | 162 | TS | GMA | General Use | TS | 163 | TS | GPA | AF Amplifier | TS | 164 | TS | GPA | AF Amplifier | TS | 165 | TS | GPA | AF Amplifier | TS | 166 | TS | GPA | AF Amplifier | GT | 167 | GTC | GPA | Switching | TS | 176 | TS | GPA | AF Power Amp | 200 | TI | GNG | GPA | General Use | 201 | TI | GNG | GPA | General Use | 202 | TI | GNG | GPA | General Use | 206 | TI | GNG | GPA | AF Amplifier | 207 | TI | GNG | GPA | AF Amplifier | 208 | TI | GNG | GPA | AF Amplifier | GT | 210 | GTC | GPA | Switching | 210 | TI | GNG | GPA | AF Amplifier | 220 | TI | GNG | GPA | AF Amplifier | 221 | TI | GNG | GPA | IF Amplifier | GT | 222 | GTC | GPA | General Use | 222 | TI | GNG | GPA | IF Amplifier | 223 | TI | GNG | GPA | Converter | 224 | TI | GNG | GPA | Detector | 225 | TI | GNG | GPA | IF Amplifier | 227 | TI | GNG | GPA | IF Amplifier | 228 | TI | GNG | GPA | Detector | GT | 229 | GTC | GNA | AF Amplifier | 234 | TI | CNA | IF Amplifier | IF Amplifier | 235 | TI | GNA | GPA | Converter | GT | 269 | GTC | GPA | RF Amplifier | 301 | TI | GPA | AF Amplifier | AF Amplifier | 302 | TI | GPA | AF Amplifier | AF Amplifier | 310 | TI | GPA | AF Amplifier | AF Amplifier | 310 | TI | GPA | AF Amplifier | AF Amplifier | | | | | | | | | | | | | | | | | | | | | | | | | | | | | | | | | | | | | | | | | | | | | | | | | | | | | | | | | | | | | | | | | | | | | | | | | | | | | | | | | | | | | | | | | | | | | | | | | | | | | | | | | | | | | | | | | | | | | | | | | | | | | | | | | | | | | | | | | | | | | | | | | | | | | | | | | | | | | | | | | | | | | | | | | | | | | | | | | | | | | | | | | | | | | | | | | | | | | | | | | | | | | | | | | | | | | | | | | | | | | | | | | | | | | | | | | | | | | | | | | | | | | | | | | | | | | | | | | | | | | | | | | | | | | | | | | | | | | | | | | | | | | | | | | | | | | | | | | | | | | | | | | | | | | | | | | | | | | | | | | | | | | | | | | | | | | | | | | | | | | | | | | | | | | | | | | | | | | | | | | | | | | | | | | | | | | | | | | | | | | | | | | | | | | | | | | | | | | | | | | | | | | | | | | | | | | | | | | | | | | | | | | | | | | | | | | | | | | | | | | | | | | | | | | | | | | | | | | | | | | | | | | | | | | | | | | | | | | | | | | | | | | | | | | | | | | | | | | | | | | | | | | | | | | | | | | | | | | | | | | | | | | | | | | | | | | | | | | | | | | | | | | | | | | | | | | | | | | | | | | | | | | | | | | | | | | | | | | | | | | | | | | | | | | | | | | | | |
| T | 34A | NU | GPA | AF Amplifier | T | 34B | NU | GPA | AF Amplifier | T | 34C | NU | GPA | AF Amplifier | T | 34D | NU | GPA | AF Amplifier | T | 34E | NU | GPA | AF Amplifier | T | 34F | NU | GPA | AF Amplifier | GT | 34HV | GTC | GPA | Switching | GT | 34S | GTC | GPA | Detector | GT | 38 | GTC | GPA | AF Amplifier | RR | 38 | RR | GPA | AF Amplifier | OC | 44 | AMP | GPA | RF Amplifier | OC | 45 | AMP | GPA | RF Amplifier | OC | 50 | AMP | GC | Oscillator | OC | 51 | AMP | GC | Switching | OC | 65 | AMP | GC | AF Amplifier | CT | 66 | GTC | GPA | Photo Use | OC | 66 | AMP | GPA | AF Amplifier | RR | 66 | RR | SD | AF Amplifier | OC | 70 | AMP | GPA | AF Amplifier | OC | 71 | AMP | GPA | RF Amplifier | OC | 72 | AMP | GMA | AF Amplifier | ZJ | 72 | GE | GNG | VHF Amplifier | OC | 73 | AMP | GPA | AF Amplifier | ZJ | 73 | GE | GNG | AF Amplifier | GT | 74 | GTC | GPA | AF Amplifier | GT | 75 | GTC | GPA | AF Amplifier | OC | 76 | AMP | GPA | Switching | GT | 81 | GTC | GPA | AF Amplifier | GT | 81H | GTC | GPA | AF Amplifier | GT | 81HS | GTC | GPA | AF Amplifier | GT | 82 | GTC | GPA | Switching | GT | 83 | GTC | GPA | Switching | GT | 87 | GTC | GPA | Switching | GT | 88 | GTC | GPA | Switching | DR | 100 | TS | GPA | AF Amplifier | DR | 101 | TS | GPA | AF Amplifier | DR | 102 | TS | GPA | AF Amplifier | GT | 109 | GTC | GPA | AF Amplifier | GT | 122 | GTC | GPA | Switching | GT | 123 | GTC | GPA | Switching | RR | 125 | RR | GPA | AF Amplifier | DR | 126 | TS | GPA | AF Amplifier | DR | 128 | TS | GPA | AF Amplifier | DR | 129 | TS | GPA | General Use | DR | 130 | TS | GPA | General Use | DR | 131 | TS | GPA | General Use | DR | 132 | TS | GPA | General Use | DR | 139 | TS | GPA | General Use | DR | 147 | TS | GPA | AF Power Amp | GT | 153 | GT | GPA | Switching | DR | 154 | TS | GPA | General Use | DR | 155 | TS | GPA | General Use | TS | 161 | TS | GMA | AF Amplifier | TS | 162 | TS | GMA | General Use | TS | 163 | TS | GPA | AF Amplifier | TS | 164 | TS | GPA | AF Amplifier | TS | 165 | TS | GPA | AF Amplifier | TS | 166 | TS | GPA | AF Amplifier | GT | 167 | GTC | GPA | Switching | TS | 176 | TS | GPA | AF Power Amp | 200 | TI | GNG | GPA | General Use | 201 | TI | GNG | GPA | General Use | 202 | TI | GNG | GPA | General Use | 206 | TI | GNG | GPA | AF Amplifier | 207 | TI | GNG | GPA | AF Amplifier | 208 | TI | GNG | GPA | AF Amplifier | GT | 210 | GTC | GPA | Switching | 210 | TI | GNG | GPA | AF Amplifier | 220 | TI | GNG | GPA | AF Amplifier | 221 | TI | GNG | GPA | IF Amplifier | GT | 222 | GTC | GPA | General Use | 222 | TI | GNG | GPA | IF Amplifier | 223 | TI | GNG | GPA | Converter | 224 | TI | GNG | GPA | Detector | 225 | TI | GNG | GPA | IF Amplifier | 227 | TI | GNG | GPA | IF Amplifier | 228 | TI | GNG | GPA | Detector | GT | 229 | GTC | GNA | AF Amplifier | 234 | TI | CNA | IF Amplifier | IF Amplifier | 235 | TI | GNA | GPA | Converter | GT | 269 | GTC | GPA | RF Amplifier | 301 | TI | GPA | AF Amplifier | AF Amplifier | 302 | TI | GPA | AF Amplifier | AF Amplifier | 310 | TI | GPA | AF Amplifier | AF Amplifier | 310 | TI | GPA | AF Amplifier | AF Amplifier | | | | | | | | | | | | | | | | | | | | | | | | | | | | | | | | | | | | | | | | | | | | | | | | | | | | | | | | | | | | | | | | | | | | | | | | | | | | | | | | | | | | | | | | | | | | | | | | | | | | | | | | | | | | | | | | | | | | | | | | | | | | | | | | | | | | | | | | | | | | | | | | | | | | | | | | | | | | | | | | | | | | | | | | | | | | | | | | | | | | | | | | | | | | | | | | | | | | | | | | | | | | | | | | | | | | | | | | | | | | | | | | | | | | | | | | | | | | | | | | | | | | | | | | | | | | | | | | | | | | | | | | | | | | | | | | | | | | | | | | | | | | | | | | | | | | | | | | | | | | | | | | | | | | | | | | | | | | | | | | | | | | | | | | | | | | | | | | | | | | | | | | | | | | | | | | | | | | | | | | | | | | | | | | | | | | | | | | | | | | | | | | | | | | | | | | | | | | | | | | | | | | | | | | | | | | | | | | | | | | | | | | | | | | | | | | | | | | | | | | | | | | | | | | | | | | | | | | | | | | | | | | | | | | | | | | | | | | | | | | | | | | | | | | | | | | | | | | | | | | | | | | | | | | | | | | | | | | | | | | | | | | | | | | | | | | | | | | | | | | | | | | | | | | | | | | | | | | | | | | | | | | | | | | | | | | | | | | | | | | | | | | | | | | | | | | | | | | | | | | |
| T | 34B | NU | GPA | AF Amplifier | T | 34C | NU | GPA | AF Amplifier | T | 34D | NU | GPA | AF Amplifier | T | 34E | NU | GPA | AF Amplifier | T | 34F | NU | GPA | AF Amplifier | GT | 34HV | GTC | GPA | Switching | GT | 34S | GTC | GPA | Detector | GT | 38 | GTC | GPA | AF Amplifier | RR | 38 | RR | GPA | AF Amplifier | OC | 44 | AMP | GPA | RF Amplifier | OC | 45 | AMP | GPA | RF Amplifier | OC | 50 | AMP | GC | Oscillator | OC | 51 | AMP | GC | Switching | OC | 65 | AMP | GC | AF Amplifier | CT | 66 | GTC | GPA | Photo Use | OC | 66 | AMP | GPA | AF Amplifier | RR | 66 | RR | SD | AF Amplifier | OC | 70 | AMP | GPA | AF Amplifier | OC | 71 | AMP | GPA | RF Amplifier | OC | 72 | AMP | GMA | AF Amplifier | ZJ | 72 | GE | GNG | VHF Amplifier | OC | 73 | AMP | GPA | AF Amplifier | ZJ | 73 | GE | GNG | AF Amplifier | GT | 74 | GTC | GPA | AF Amplifier | GT | 75 | GTC | GPA | AF Amplifier | OC | 76 | AMP | GPA | Switching | GT | 81 | GTC | GPA | AF Amplifier | GT | 81H | GTC | GPA | AF Amplifier | GT | 81HS | GTC | GPA | AF Amplifier | GT | 82 | GTC | GPA | Switching | GT | 83 | GTC | GPA | Switching | GT | 87 | GTC | GPA | Switching | GT | 88 | GTC | GPA | Switching | DR | 100 | TS | GPA | AF Amplifier | DR | 101 | TS | GPA | AF Amplifier | DR | 102 | TS | GPA | AF Amplifier | GT | 109 | GTC | GPA | AF Amplifier | GT | 122 | GTC | GPA | Switching | GT | 123 | GTC | GPA | Switching | RR | 125 | RR | GPA | AF Amplifier | DR | 126 | TS | GPA | AF Amplifier | DR | 128 | TS | GPA | AF Amplifier | DR | 129 | TS | GPA | General Use | DR | 130 | TS | GPA | General Use | DR | 131 | TS | GPA | General Use | DR | 132 | TS | GPA | General Use | DR | 139 | TS | GPA | General Use | DR | 147 | TS | GPA | AF Power Amp | GT | 153 | GT | GPA | Switching | DR | 154 | TS | GPA | General Use | DR | 155 | TS | GPA | General Use | TS | 161 | TS | GMA | AF Amplifier | TS | 162 | TS | GMA | General Use | TS | 163 | TS | GPA | AF Amplifier | TS | 164 | TS | GPA | AF Amplifier | TS | 165 | TS | GPA | AF Amplifier | TS | 166 | TS | GPA | AF Amplifier | GT | 167 | GTC | GPA | Switching | TS | 176 | TS | GPA | AF Power Amp | 200 | TI | GNG | GPA | General Use | 201 | TI | GNG | GPA | General Use | 202 | TI | GNG | GPA | General Use | 206 | TI | GNG | GPA | AF Amplifier | 207 | TI | GNG | GPA | AF Amplifier | 208 | TI | GNG | GPA | AF Amplifier | GT | 210 | GTC | GPA | Switching | 210 | TI | GNG | GPA | AF Amplifier | 220 | TI | GNG | GPA | AF Amplifier | 221 | TI | GNG | GPA | IF Amplifier | GT | 222 | GTC | GPA | General Use | 222 | TI | GNG | GPA | IF Amplifier | 223 | TI | GNG | GPA | Converter | 224 | TI | GNG | GPA | Detector | 225 | TI | GNG | GPA | IF Amplifier | 227 | TI | GNG | GPA | IF Amplifier | 228 | TI | GNG | GPA | Detector | GT | 229 | GTC | GNA | AF Amplifier | 234 | TI | CNA | IF Amplifier | IF Amplifier | 235 | TI | GNA | GPA | Converter | GT | 269 | GTC | GPA | RF Amplifier | 301 | TI | GPA | AF Amplifier | AF Amplifier | 302 | TI | GPA | AF Amplifier | AF Amplifier | 310 | TI | GPA | AF Amplifier | AF Amplifier | 310 | TI | GPA | AF Amplifier | AF Amplifier | | | | | | | | | | | | | | | | | | | | | | | | | | | | | | | | | | | | | | | | | | | | | | | | | | | | | | | | | | | | | | | | | | | | | | | | | | | | | | | | | | | | | | | | | | | | | | | | | | | | | | | | | | | | | | | | | | | | | | | | | | | | | | | | | | | | | | | | | | | | | | | | | | | | | | | | | | | | | | | | | | | | | | | | | | | | | | | | | | | | | | | | | | | | | | | | | | | | | | | | | | | | | | | | | | | | | | | | | | | | | | | | | | | | | | | | | | | | | | | | | | | | | | | | | | | | | | | | | | | | | | | | | | | | | | | | | | | | | | | | | | | | | | | | | | | | | | | | | | | | | | | | | | | | | | | | | | | | | | | | | | | | | | | | | | | | | | | | | | | | | | | | | | | | | | | | | | | | | | | | | | | | | | | | | | | | | | | | | | | | | | | | | | | | | | | | | | | | | | | | | | | | | | | | | | | | | | | | | | | | | | | | | | | | | | | | | | | | | | | | | | | | | | | | | | | | | | | | | | | | | | | | | | | | | | | | | | | | | | | | | | | | | | | | | | | | | | | | | | | | | | | | | | | | | | | | | | | | | | | | | | | | | | | | | | | | | | | | | | | | | | | | | | | | | | | | | | | | | | | | | | | | | | | | | | | | | | | | | | | | | | | | | | | | | | | | | | | | | | | | | | | | | |
| T | 34C | NU | GPA | AF Amplifier | T | 34D | NU | GPA | AF Amplifier | T | 34E | NU | GPA | AF Amplifier | T | 34F | NU | GPA | AF Amplifier | GT | 34HV | GTC | GPA | Switching | GT | 34S | GTC | GPA | Detector | GT | 38 | GTC | GPA | AF Amplifier | RR | 38 | RR | GPA | AF Amplifier | OC | 44 | AMP | GPA | RF Amplifier | OC | 45 | AMP | GPA | RF Amplifier | OC | 50 | AMP | GC | Oscillator | OC | 51 | AMP | GC | Switching | OC | 65 | AMP | GC | AF Amplifier | CT | 66 | GTC | GPA | Photo Use | OC | 66 | AMP | GPA | AF Amplifier | RR | 66 | RR | SD | AF Amplifier | OC | 70 | AMP | GPA | AF Amplifier | OC | 71 | AMP | GPA | RF Amplifier | OC | 72 | AMP | GMA | AF Amplifier | ZJ | 72 | GE | GNG | VHF Amplifier | OC | 73 | AMP | GPA | AF Amplifier | ZJ | 73 | GE | GNG | AF Amplifier | GT | 74 | GTC | GPA | AF Amplifier | GT | 75 | GTC | GPA | AF Amplifier | OC | 76 | AMP | GPA | Switching | GT | 81 | GTC | GPA | AF Amplifier | GT | 81H | GTC | GPA | AF Amplifier | GT | 81HS | GTC | GPA | AF Amplifier | GT | 82 | GTC | GPA | Switching | GT | 83 | GTC | GPA | Switching | GT | 87 | GTC | GPA | Switching | GT | 88 | GTC | GPA | Switching | DR | 100 | TS | GPA | AF Amplifier | DR | 101 | TS | GPA | AF Amplifier | DR | 102 | TS | GPA | AF Amplifier | GT | 109 | GTC | GPA | AF Amplifier | GT | 122 | GTC | GPA | Switching | GT | 123 | GTC | GPA | Switching | RR | 125 | RR | GPA | AF Amplifier | DR | 126 | TS | GPA | AF Amplifier | DR | 128 | TS | GPA | AF Amplifier | DR | 129 | TS | GPA | General Use | DR | 130 | TS | GPA | General Use | DR | 131 | TS | GPA | General Use | DR | 132 | TS | GPA | General Use | DR | 139 | TS | GPA | General Use | DR | 147 | TS | GPA | AF Power Amp | GT | 153 | GT | GPA | Switching | DR | 154 | TS | GPA | General Use | DR | 155 | TS | GPA | General Use | TS | 161 | TS | GMA | AF Amplifier | TS | 162 | TS | GMA | General Use | TS | 163 | TS | GPA | AF Amplifier | TS | 164 | TS | GPA | AF Amplifier | TS | 165 | TS | GPA | AF Amplifier | TS | 166 | TS | GPA | AF Amplifier | GT | 167 | GTC | GPA | Switching | TS | 176 | TS | GPA | AF Power Amp | 200 | TI | GNG | GPA | General Use | 201 | TI | GNG | GPA | General Use | 202 | TI | GNG | GPA | General Use | 206 | TI | GNG | GPA | AF Amplifier | 207 | TI | GNG | GPA | AF Amplifier | 208 | TI | GNG | GPA | AF Amplifier | GT | 210 | GTC | GPA | Switching | 210 | TI | GNG | GPA | AF Amplifier | 220 | TI | GNG | GPA | AF Amplifier | 221 | TI | GNG | GPA | IF Amplifier | GT | 222 | GTC | GPA | General Use | 222 | TI | GNG | GPA | IF Amplifier | 223 | TI | GNG | GPA | Converter | 224 | TI | GNG | GPA | Detector | 225 | TI | GNG | GPA | IF Amplifier | 227 | TI | GNG | GPA | IF Amplifier | 228 | TI | GNG | GPA | Detector | GT | 229 | GTC | GNA | AF Amplifier | 234 | TI | CNA | IF Amplifier | IF Amplifier | 235 | TI | GNA | GPA | Converter | GT | 269 | GTC | GPA | RF Amplifier | 301 | TI | GPA | AF Amplifier | AF Amplifier | 302 | TI | GPA | AF Amplifier | AF Amplifier | 310 | TI | GPA | AF Amplifier | AF Amplifier | 310 | TI | GPA | AF Amplifier | AF Amplifier | | | | | | | | | | | | | | | | | | | | | | | | | | | | | | | | | | | | | | | | | | | | | | | | | | | | | | | | | | | | | | | | | | | | | | | | | | | | | | | | | | | | | | | | | | | | | | | | | | | | | | | | | | | | | | | | | | | | | | | | | | | | | | | | | | | | | | | | | | | | | | | | | | | | | | | | | | | | | | | | | | | | | | | | | | | | | | | | | | | | | | | | | | | | | | | | | | | | | | | | | | | | | | | | | | | | | | | | | | | | | | | | | | | | | | | | | | | | | | | | | | | | | | | | | | | | | | | | | | | | | | | | | | | | | | | | | | | | | | | | | | | | | | | | | | | | | | | | | | | | | | | | | | | | | | | | | | | | | | | | | | | | | | | | | | | | | | | | | | | | | | | | | | | | | | | | | | | | | | | | | | | | | | | | | | | | | | | | | | | | | | | | | | | | | | | | | | | | | | | | | | | | | | | | | | | | | | | | | | | | | | | | | | | | | | | | | | | | | | | | | | | | | | | | | | | | | | | | | | | | | | | | | | | | | | | | | | | | | | | | | | | | | | | | | | | | | | | | | | | | | | | | | | | | | | | | | | | | | | | | | | | | | | | | | | | | | | | | | | | | | | | | | | | | | | | | | | | | | | | | | | | | | | | | | | | | | | | | | | | | | | | | | | | | | | | | | | | | | | | | | | | | | | | | | | |
| T | 34D | NU | GPA | AF Amplifier | T | 34E | NU | GPA | AF Amplifier | T | 34F | NU | GPA | AF Amplifier | GT | 34HV | GTC | GPA | Switching | GT | 34S | GTC | GPA | Detector | GT | 38 | GTC | GPA | AF Amplifier | RR | 38 | RR | GPA | AF Amplifier | OC | 44 | AMP | GPA | RF Amplifier | OC | 45 | AMP | GPA | RF Amplifier | OC | 50 | AMP | GC | Oscillator | OC | 51 | AMP | GC | Switching | OC | 65 | AMP | GC | AF Amplifier | CT | 66 | GTC | GPA | Photo Use | OC | 66 | AMP | GPA | AF Amplifier | RR | 66 | RR | SD | AF Amplifier | OC | 70 | AMP | GPA | AF Amplifier | OC | 71 | AMP | GPA | RF Amplifier | OC | 72 | AMP | GMA | AF Amplifier | ZJ | 72 | GE | GNG | VHF Amplifier | OC | 73 | AMP | GPA | AF Amplifier | ZJ | 73 | GE | GNG | AF Amplifier | GT | 74 | GTC | GPA | AF Amplifier | GT | 75 | GTC | GPA | AF Amplifier | OC | 76 | AMP | GPA | Switching | GT | 81 | GTC | GPA | AF Amplifier | GT | 81H | GTC | GPA | AF Amplifier | GT | 81HS | GTC | GPA | AF Amplifier | GT | 82 | GTC | GPA | Switching | GT | 83 | GTC | GPA | Switching | GT | 87 | GTC | GPA | Switching | GT | 88 | GTC | GPA | Switching | DR | 100 | TS | GPA | AF Amplifier | DR | 101 | TS | GPA | AF Amplifier | DR | 102 | TS | GPA | AF Amplifier | GT | 109 | GTC | GPA | AF Amplifier | GT | 122 | GTC | GPA | Switching | GT | 123 | GTC | GPA | Switching | RR | 125 | RR | GPA | AF Amplifier | DR | 126 | TS | GPA | AF Amplifier | DR | 128 | TS | GPA | AF Amplifier | DR | 129 | TS | GPA | General Use | DR | 130 | TS | GPA | General Use | DR | 131 | TS | GPA | General Use | DR | 132 | TS | GPA | General Use | DR | 139 | TS | GPA | General Use | DR | 147 | TS | GPA | AF Power Amp | GT | 153 | GT | GPA | Switching | DR | 154 | TS | GPA | General Use | DR | 155 | TS | GPA | General Use | TS | 161 | TS | GMA | AF Amplifier | TS | 162 | TS | GMA | General Use | TS | 163 | TS | GPA | AF Amplifier | TS | 164 | TS | GPA | AF Amplifier | TS | 165 | TS | GPA | AF Amplifier | TS | 166 | TS | GPA | AF Amplifier | GT | 167 | GTC | GPA | Switching | TS | 176 | TS | GPA | AF Power Amp | 200 | TI | GNG | GPA | General Use | 201 | TI | GNG | GPA | General Use | 202 | TI | GNG | GPA | General Use | 206 | TI | GNG | GPA | AF Amplifier | 207 | TI | GNG | GPA | AF Amplifier | 208 | TI | GNG | GPA | AF Amplifier | GT | 210 | GTC | GPA | Switching | 210 | TI | GNG | GPA | AF Amplifier | 220 | TI | GNG | GPA | AF Amplifier | 221 | TI | GNG | GPA | IF Amplifier | GT | 222 | GTC | GPA | General Use | 222 | TI | GNG | GPA | IF Amplifier | 223 | TI | GNG | GPA | Converter | 224 | TI | GNG | GPA | Detector | 225 | TI | GNG | GPA | IF Amplifier | 227 | TI | GNG | GPA | IF Amplifier | 228 | TI | GNG | GPA | Detector | GT | 229 | GTC | GNA | AF Amplifier | 234 | TI | CNA | IF Amplifier | IF Amplifier | 235 | TI | GNA | GPA | Converter | GT | 269 | GTC | GPA | RF Amplifier | 301 | TI | GPA | AF Amplifier | AF Amplifier | 302 | TI | GPA | AF Amplifier | AF Amplifier | 310 | TI | GPA | AF Amplifier | AF Amplifier | 310 | TI | GPA | AF Amplifier | AF Amplifier | | | | | | | | | | | | | | | | | | | | | | | | | | | | | | | | | | | | | | | | | | | | | | | | | | | | | | | | | | | | | | | | | | | | | | | | | | | | | | | | | | | | | | | | | | | | | | | | | | | | | | | | | | | | | | | | | | | | | | | | | | | | | | | | | | | | | | | | | | | | | | | | | | | | | | | | | | | | | | | | | | | | | | | | | | | | | | | | | | | | | | | | | | | | | | | | | | | | | | | | | | | | | | | | | | | | | | | | | | | | | | | | | | | | | | | | | | | | | | | | | | | | | | | | | | | | | | | | | | | | | | | | | | | | | | | | | | | | | | | | | | | | | | | | | | | | | | | | | | | | | | | | | | | | | | | | | | | | | | | | | | | | | | | | | | | | | | | | | | | | | | | | | | | | | | | | | | | | | | | | | | | | | | | | | | | | | | | | | | | | | | | | | | | | | | | | | | | | | | | | | | | | | | | | | | | | | | | | | | | | | | | | | | | | | | | | | | | | | | | | | | | | | | | | | | | | | | | | | | | | | | | | | | | | | | | | | | | | | | | | | | | | | | | | | | | | | | | | | | | | | | | | | | | | | | | | | | | | | | | | | | | | | | | | | | | | | | | | | | | | | | | | | | | | | | | | | | | | | | | | | | | | | | | | | | | | | | | | | | | | | | | | | | | | | | | | | | | | | | | | | | | | | | | | | | | | | | | |
| T | 34E | NU | GPA | AF Amplifier | T | 34F | NU | GPA | AF Amplifier | GT | 34HV | GTC | GPA | Switching | GT | 34S | GTC | GPA | Detector | GT | 38 | GTC | GPA | AF Amplifier | RR | 38 | RR | GPA | AF Amplifier | OC | 44 | AMP | GPA | RF Amplifier | OC | 45 | AMP | GPA | RF Amplifier | OC | 50 | AMP | GC | Oscillator | OC | 51 | AMP | GC | Switching | OC | 65 | AMP | GC | AF Amplifier | CT | 66 | GTC | GPA | Photo Use | OC | 66 | AMP | GPA | AF Amplifier | RR | 66 | RR | SD | AF Amplifier | OC | 70 | AMP | GPA | AF Amplifier | OC | 71 | AMP | GPA | RF Amplifier | OC | 72 | AMP | GMA | AF Amplifier | ZJ | 72 | GE | GNG | VHF Amplifier | OC | 73 | AMP | GPA | AF Amplifier | ZJ | 73 | GE | GNG | AF Amplifier | GT | 74 | GTC | GPA | AF Amplifier | GT | 75 | GTC | GPA | AF Amplifier | OC | 76 | AMP | GPA | Switching | GT | 81 | GTC | GPA | AF Amplifier | GT | 81H | GTC | GPA | AF Amplifier | GT | 81HS | GTC | GPA | AF Amplifier | GT | 82 | GTC | GPA | Switching | GT | 83 | GTC | GPA | Switching | GT | 87 | GTC | GPA | Switching | GT | 88 | GTC | GPA | Switching | DR | 100 | TS | GPA | AF Amplifier | DR | 101 | TS | GPA | AF Amplifier | DR | 102 | TS | GPA | AF Amplifier | GT | 109 | GTC | GPA | AF Amplifier | GT | 122 | GTC | GPA | Switching | GT | 123 | GTC | GPA | Switching | RR | 125 | RR | GPA | AF Amplifier | DR | 126 | TS | GPA | AF Amplifier | DR | 128 | TS | GPA | AF Amplifier | DR | 129 | TS | GPA | General Use | DR | 130 | TS | GPA | General Use | DR | 131 | TS | GPA | General Use | DR | 132 | TS | GPA | General Use | DR | 139 | TS | GPA | General Use | DR | 147 | TS | GPA | AF Power Amp | GT | 153 | GT | GPA | Switching | DR | 154 | TS | GPA | General Use | DR | 155 | TS | GPA | General Use | TS | 161 | TS | GMA | AF Amplifier | TS | 162 | TS | GMA | General Use | TS | 163 | TS | GPA | AF Amplifier | TS | 164 | TS | GPA | AF Amplifier | TS | 165 | TS | GPA | AF Amplifier | TS | 166 | TS | GPA | AF Amplifier | GT | 167 | GTC | GPA | Switching | TS | 176 | TS | GPA | AF Power Amp | 200 | TI | GNG | GPA | General Use | 201 | TI | GNG | GPA | General Use | 202 | TI | GNG | GPA | General Use | 206 | TI | GNG | GPA | AF Amplifier | 207 | TI | GNG | GPA | AF Amplifier | 208 | TI | GNG | GPA | AF Amplifier | GT | 210 | GTC | GPA | Switching | 210 | TI | GNG | GPA | AF Amplifier | 220 | TI | GNG | GPA | AF Amplifier | 221 | TI | GNG | GPA | IF Amplifier | GT | 222 | GTC | GPA | General Use | 222 | TI | GNG | GPA | IF Amplifier | 223 | TI | GNG | GPA | Converter | 224 | TI | GNG | GPA | Detector | 225 | TI | GNG | GPA | IF Amplifier | 227 | TI | GNG | GPA | IF Amplifier | 228 | TI | GNG | GPA | Detector | GT | 229 | GTC | GNA | AF Amplifier | 234 | TI | CNA | IF Amplifier | IF Amplifier | 235 | TI | GNA | GPA | Converter | GT | 269 | GTC | GPA | RF Amplifier | 301 | TI | GPA | AF Amplifier | AF Amplifier | 302 | TI | GPA | AF Amplifier | AF Amplifier | 310 | TI | GPA | AF Amplifier | AF Amplifier | 310 | TI | GPA | AF Amplifier | AF Amplifier | | | | | | | | | | | | | | | | | | | | | | | | | | | | | | | | | | | | | | | | | | | | | | | | | | | | | | | | | | | | | | | | | | | | | | | | | | | | | | | | | | | | | | | | | | | | | | | | | | | | | | | | | | | | | | | | | | | | | | | | | | | | | | | | | | | | | | | | | | | | | | | | | | | | | | | | | | | | | | | | | | | | | | | | | | | | | | | | | | | | | | | | | | | | | | | | | | | | | | | | | | | | | | | | | | | | | | | | | | | | | | | | | | | | | | | | | | | | | | | | | | | | | | | | | | | | | | | | | | | | | | | | | | | | | | | | | | | | | | | | | | | | | | | | | | | | | | | | | | | | | | | | | | | | | | | | | | | | | | | | | | | | | | | | | | | | | | | | | | | | | | | | | | | | | | | | | | | | | | | | | | | | | | | | | | | | | | | | | | | | | | | | | | | | | | | | | | | | | | | | | | | | | | | | | | | | | | | | | | | | | | | | | | | | | | | | | | | | | | | | | | | | | | | | | | | | | | | | | | | | | | | | | | | | | | | | | | | | | | | | | | | | | | | | | | | | | | | | | | | | | | | | | | | | | | | | | | | | | | | | | | | | | | | | | | | | | | | | | | | | | | | | | | | | | | | | | | | | | | | | | | | | | | | | | | | | | | | | | | | | | | | | | | | | | | | | | | | | | | | | | | | | | | | | | | | | | | | | | | | | |
| T | 34F | NU | GPA | AF Amplifier | GT | 34HV | GTC | GPA | Switching | GT | 34S | GTC | GPA | Detector | GT | 38 | GTC | GPA | AF Amplifier | RR | 38 | RR | GPA | AF Amplifier | OC | 44 | AMP | GPA | RF Amplifier | OC | 45 | AMP | GPA | RF Amplifier | OC | 50 | AMP | GC | Oscillator | OC | 51 | AMP | GC | Switching | OC | 65 | AMP | GC | AF Amplifier | CT | 66 | GTC | GPA | Photo Use | OC | 66 | AMP | GPA | AF Amplifier | RR | 66 | RR | SD | AF Amplifier | OC | 70 | AMP | GPA | AF Amplifier | OC | 71 | AMP | GPA | RF Amplifier | OC | 72 | AMP | GMA | AF Amplifier | ZJ | 72 | GE | GNG | VHF Amplifier | OC | 73 | AMP | GPA | AF Amplifier | ZJ | 73 | GE | GNG | AF Amplifier | GT | 74 | GTC | GPA | AF Amplifier | GT | 75 | GTC | GPA | AF Amplifier | OC | 76 | AMP | GPA | Switching | GT | 81 | GTC | GPA | AF Amplifier | GT | 81H | GTC | GPA | AF Amplifier | GT | 81HS | GTC | GPA | AF Amplifier | GT | 82 | GTC | GPA | Switching | GT | 83 | GTC | GPA | Switching | GT | 87 | GTC | GPA | Switching | GT | 88 | GTC | GPA | Switching | DR | 100 | TS | GPA | AF Amplifier | DR | 101 | TS | GPA | AF Amplifier | DR | 102 | TS | GPA | AF Amplifier | GT | 109 | GTC | GPA | AF Amplifier | GT | 122 | GTC | GPA | Switching | GT | 123 | GTC | GPA | Switching | RR | 125 | RR | GPA | AF Amplifier | DR | 126 | TS | GPA | AF Amplifier | DR | 128 | TS | GPA | AF Amplifier | DR | 129 | TS | GPA | General Use | DR | 130 | TS | GPA | General Use | DR | 131 | TS | GPA | General Use | DR | 132 | TS | GPA | General Use | DR | 139 | TS | GPA | General Use | DR | 147 | TS | GPA | AF Power Amp | GT | 153 | GT | GPA | Switching | DR | 154 | TS | GPA | General Use | DR | 155 | TS | GPA | General Use | TS | 161 | TS | GMA | AF Amplifier | TS | 162 | TS | GMA | General Use | TS | 163 | TS | GPA | AF Amplifier | TS | 164 | TS | GPA | AF Amplifier | TS | 165 | TS | GPA | AF Amplifier | TS | 166 | TS | GPA | AF Amplifier | GT | 167 | GTC | GPA | Switching | TS | 176 | TS | GPA | AF Power Amp | 200 | TI | GNG | GPA | General Use | 201 | TI | GNG | GPA | General Use | 202 | TI | GNG | GPA | General Use | 206 | TI | GNG | GPA | AF Amplifier | 207 | TI | GNG | GPA | AF Amplifier | 208 | TI | GNG | GPA | AF Amplifier | GT | 210 | GTC | GPA | Switching | 210 | TI | GNG | GPA | AF Amplifier | 220 | TI | GNG | GPA | AF Amplifier | 221 | TI | GNG | GPA | IF Amplifier | GT | 222 | GTC | GPA | General Use | 222 | TI | GNG | GPA | IF Amplifier | 223 | TI | GNG | GPA | Converter | 224 | TI | GNG | GPA | Detector | 225 | TI | GNG | GPA | IF Amplifier | 227 | TI | GNG | GPA | IF Amplifier | 228 | TI | GNG | GPA | Detector | GT | 229 | GTC | GNA | AF Amplifier | 234 | TI | CNA | IF Amplifier | IF Amplifier | 235 | TI | GNA | GPA | Converter | GT | 269 | GTC | GPA | RF Amplifier | 301 | TI | GPA | AF Amplifier | AF Amplifier | 302 | TI | GPA | AF Amplifier | AF Amplifier | 310 | TI | GPA | AF Amplifier | AF Amplifier | 310 | TI | GPA | AF Amplifier | AF Amplifier | | | | | | | | | | | | | | | | | | | | | | | | | | | | | | | | | | | | | | | | | | | | | | | | | | | | | | | | | | | | | | | | | | | | | | | | | | | | | | | | | | | | | | | | | | | | | | | | | | | | | | | | | | | | | | | | | | | | | | | | | | | | | | | | | | | | | | | | | | | | | | | | | | | | | | | | | | | | | | | | | | | | | | | | | | | | | | | | | | | | | | | | | | | | | | | | | | | | | | | | | | | | | | | | | | | | | | | | | | | | | | | | | | | | | | | | | | | | | | | | | | | | | | | | | | | | | | | | | | | | | | | | | | | | | | | | | | | | | | | | | | | | | | | | | | | | | | | | | | | | | | | | | | | | | | | | | | | | | | | | | | | | | | | | | | | | | | | | | | | | | | | | | | | | | | | | | | | | | | | | | | | | | | | | | | | | | | | | | | | | | | | | | | | | | | | | | | | | | | | | | | | | | | | | | | | | | | | | | | | | | | | | | | | | | | | | | | | | | | | | | | | | | | | | | | | | | | | | | | | | | | | | | | | | | | | | | | | | | | | | | | | | | | | | | | | | | | | | | | | | | | | | | | | | | | | | | | | | | | | | | | | | | | | | | | | | | | | | | | | | | | | | | | | | | | | | | | | | | | | | | | | | | | | | | | | | | | | | | | | | | | | | | | | | | | | | | | | | | | | | | | | | | | | | | | | | | | | | | | | | | | | | | |
| GT | 34HV | GTC | GPA | Switching | GT | 34S | GTC | GPA | Detector | GT | 38 | GTC | GPA | AF Amplifier | RR | 38 | RR | GPA | AF Amplifier | OC | 44 | AMP | GPA | RF Amplifier | OC | 45 | AMP | GPA | RF Amplifier | OC | 50 | AMP | GC | Oscillator | OC | 51 | AMP | GC | Switching | OC | 65 | AMP | GC | AF Amplifier | CT | 66 | GTC | GPA | Photo Use | OC | 66 | AMP | GPA | AF Amplifier | RR | 66 | RR | SD | AF Amplifier | OC | 70 | AMP | GPA | AF Amplifier | OC | 71 | AMP | GPA | RF Amplifier | OC | 72 | AMP | GMA | AF Amplifier | ZJ | 72 | GE | GNG | VHF Amplifier | OC | 73 | AMP | GPA | AF Amplifier | ZJ | 73 | GE | GNG | AF Amplifier | GT | 74 | GTC | GPA | AF Amplifier | GT | 75 | GTC | GPA | AF Amplifier | OC | 76 | AMP | GPA | Switching | GT | 81 | GTC | GPA | AF Amplifier | GT | 81H | GTC | GPA | AF Amplifier | GT | 81HS | GTC | GPA | AF Amplifier | GT | 82 | GTC | GPA | Switching | GT | 83 | GTC | GPA | Switching | GT | 87 | GTC | GPA | Switching | GT | 88 | GTC | GPA | Switching | DR | 100 | TS | GPA | AF Amplifier | DR | 101 | TS | GPA | AF Amplifier | DR | 102 | TS | GPA | AF Amplifier | GT | 109 | GTC | GPA | AF Amplifier | GT | 122 | GTC | GPA | Switching | GT | 123 | GTC | GPA | Switching | RR | 125 | RR | GPA | AF Amplifier | DR | 126 | TS | GPA | AF Amplifier | DR | 128 | TS | GPA | AF Amplifier | DR | 129 | TS | GPA | General Use | DR | 130 | TS | GPA | General Use | DR | 131 | TS | GPA | General Use | DR | 132 | TS | GPA | General Use | DR | 139 | TS | GPA | General Use | DR | 147 | TS | GPA | AF Power Amp | GT | 153 | GT | GPA | Switching | DR | 154 | TS | GPA | General Use | DR | 155 | TS | GPA | General Use | TS | 161 | TS | GMA | AF Amplifier | TS | 162 | TS | GMA | General Use | TS | 163 | TS | GPA | AF Amplifier | TS | 164 | TS | GPA | AF Amplifier | TS | 165 | TS | GPA | AF Amplifier | TS | 166 | TS | GPA | AF Amplifier | GT | 167 | GTC | GPA | Switching | TS | 176 | TS | GPA | AF Power Amp | 200 | TI | GNG | GPA | General Use | 201 | TI | GNG | GPA | General Use | 202 | TI | GNG | GPA | General Use | 206 | TI | GNG | GPA | AF Amplifier | 207 | TI | GNG | GPA | AF Amplifier | 208 | TI | GNG | GPA | AF Amplifier | GT | 210 | GTC | GPA | Switching | 210 | TI | GNG | GPA | AF Amplifier | 220 | TI | GNG | GPA | AF Amplifier | 221 | TI | GNG | GPA | IF Amplifier | GT | 222 | GTC | GPA | General Use | 222 | TI | GNG | GPA | IF Amplifier | 223 | TI | GNG | GPA | Converter | 224 | TI | GNG | GPA | Detector | 225 | TI | GNG | GPA | IF Amplifier | 227 | TI | GNG | GPA | IF Amplifier | 228 | TI | GNG | GPA | Detector | GT | 229 | GTC | GNA | AF Amplifier | 234 | TI | CNA | IF Amplifier | IF Amplifier | 235 | TI | GNA | GPA | Converter | GT | 269 | GTC | GPA | RF Amplifier | 301 | TI | GPA | AF Amplifier | AF Amplifier | 302 | TI | GPA | AF Amplifier | AF Amplifier | 310 | TI | GPA | AF Amplifier | AF Amplifier | 310 | TI | GPA | AF Amplifier | AF Amplifier | | | | | | | | | | | | | | | | | | | | | | | | | | | | | | | | | | | | | | | | | | | | | | | | | | | | | | | | | | | | | | | | | | | | | | | | | | | | | | | | | | | | | | | | | | | | | | | | | | | | | | | | | | | | | | | | | | | | | | | | | | | | | | | | | | | | | | | | | | | | | | | | | | | | | | | | | | | | | | | | | | | | | | | | | | | | | | | | | | | | | | | | | | | | | | | | | | | | | | | | | | | | | | | | | | | | | | | | | | | | | | | | | | | | | | | | | | | | | | | | | | | | | | | | | | | | | | | | | | | | | | | | | | | | | | | | | | | | | | | | | | | | | | | | | | | | | | | | | | | | | | | | | | | | | | | | | | | | | | | | | | | | | | | | | | | | | | | | | | | | | | | | | | | | | | | | | | | | | | | | | | | | | | | | | | | | | | | | | | | | | | | | | | | | | | | | | | | | | | | | | | | | | | | | | | | | | | | | | | | | | | | | | | | | | | | | | | | | | | | | | | | | | | | | | | | | | | | | | | | | | | | | | | | | | | | | | | | | | | | | | | | | | | | | | | | | | | | | | | | | | | | | | | | | | | | | | | | | | | | | | | | | | | | | | | | | | | | | | | | | | | | | | | | | | | | | | | | | | | | | | | | | | | | | | | | | | | | | | | | | | | | | | | | | | | | | | | | | | | | | | | | | | | | | | | | | | | | | | | | | | | | | | | | | | | |
| GT | 34S | GTC | GPA | Detector | GT | 38 | GTC | GPA | AF Amplifier | RR | 38 | RR | GPA | AF Amplifier | OC | 44 | AMP | GPA | RF Amplifier | OC | 45 | AMP | GPA | RF Amplifier | OC | 50 | AMP | GC | Oscillator | OC | 51 | AMP | GC | Switching | OC | 65 | AMP | GC | AF Amplifier | CT | 66 | GTC | GPA | Photo Use | OC | 66 | AMP | GPA | AF Amplifier | RR | 66 | RR | SD | AF Amplifier | OC | 70 | AMP | GPA | AF Amplifier | OC | 71 | AMP | GPA | RF Amplifier | OC | 72 | AMP | GMA | AF Amplifier | ZJ | 72 | GE | GNG | VHF Amplifier | OC | 73 | AMP | GPA | AF Amplifier | ZJ | 73 | GE | GNG | AF Amplifier | GT | 74 | GTC | GPA | AF Amplifier | GT | 75 | GTC | GPA | AF Amplifier | OC | 76 | AMP | GPA | Switching | GT | 81 | GTC | GPA | AF Amplifier | GT | 81H | GTC | GPA | AF Amplifier | GT | 81HS | GTC | GPA | AF Amplifier | GT | 82 | GTC | GPA | Switching | GT | 83 | GTC | GPA | Switching | GT | 87 | GTC | GPA | Switching | GT | 88 | GTC | GPA | Switching | DR | 100 | TS | GPA | AF Amplifier | DR | 101 | TS | GPA | AF Amplifier | DR | 102 | TS | GPA | AF Amplifier | GT | 109 | GTC | GPA | AF Amplifier | GT | 122 | GTC | GPA | Switching | GT | 123 | GTC | GPA | Switching | RR | 125 | RR | GPA | AF Amplifier | DR | 126 | TS | GPA | AF Amplifier | DR | 128 | TS | GPA | AF Amplifier | DR | 129 | TS | GPA | General Use | DR | 130 | TS | GPA | General Use | DR | 131 | TS | GPA | General Use | DR | 132 | TS | GPA | General Use | DR | 139 | TS | GPA | General Use | DR | 147 | TS | GPA | AF Power Amp | GT | 153 | GT | GPA | Switching | DR | 154 | TS | GPA | General Use | DR | 155 | TS | GPA | General Use | TS | 161 | TS | GMA | AF Amplifier | TS | 162 | TS | GMA | General Use | TS | 163 | TS | GPA | AF Amplifier | TS | 164 | TS | GPA | AF Amplifier | TS | 165 | TS | GPA | AF Amplifier | TS | 166 | TS | GPA | AF Amplifier | GT | 167 | GTC | GPA | Switching | TS | 176 | TS | GPA | AF Power Amp | 200 | TI | GNG | GPA | General Use | 201 | TI | GNG | GPA | General Use | 202 | TI | GNG | GPA | General Use | 206 | TI | GNG | GPA | AF Amplifier | 207 | TI | GNG | GPA | AF Amplifier | 208 | TI | GNG | GPA | AF Amplifier | GT | 210 | GTC | GPA | Switching | 210 | TI | GNG | GPA | AF Amplifier | 220 | TI | GNG | GPA | AF Amplifier | 221 | TI | GNG | GPA | IF Amplifier | GT | 222 | GTC | GPA | General Use | 222 | TI | GNG | GPA | IF Amplifier | 223 | TI | GNG | GPA | Converter | 224 | TI | GNG | GPA | Detector | 225 | TI | GNG | GPA | IF Amplifier | 227 | TI | GNG | GPA | IF Amplifier | 228 | TI | GNG | GPA | Detector | GT | 229 | GTC | GNA | AF Amplifier | 234 | TI | CNA | IF Amplifier | IF Amplifier | 235 | TI | GNA | GPA | Converter | GT | 269 | GTC | GPA | RF Amplifier | 301 | TI | GPA | AF Amplifier | AF Amplifier | 302 | TI | GPA | AF Amplifier | AF Amplifier | 310 | TI | GPA | AF Amplifier | AF Amplifier | 310 | TI | GPA | AF Amplifier | AF Amplifier | | | | | | | | | | | | | | | | | | | | | | | | | | | | | | | | | | | | | | | | | | | | | | | | | | | | | | | | | | | | | | | | | | | | | | | | | | | | | | | | | | | | | | | | | | | | | | | | | | | | | | | | | | | | | | | | | | | | | | | | | | | | | | | | | | | | | | | | | | | | | | | | | | | | | | | | | | | | | | | | | | | | | | | | | | | | | | | | | | | | | | | | | | | | | | | | | | | | | | | | | | | | | | | | | | | | | | | | | | | | | | | | | | | | | | | | | | | | | | | | | | | | | | | | | | | | | | | | | | | | | | | | | | | | | | | | | | | | | | | | | | | | | | | | | | | | | | | | | | | | | | | | | | | | | | | | | | | | | | | | | | | | | | | | | | | | | | | | | | | | | | | | | | | | | | | | | | | | | | | | | | | | | | | | | | | | | | | | | | | | | | | | | | | | | | | | | | | | | | | | | | | | | | | | | | | | | | | | | | | | | | | | | | | | | | | | | | | | | | | | | | | | | | | | | | | | | | | | | | | | | | | | | | | | | | | | | | | | | | | | | | | | | | | | | | | | | | | | | | | | | | | | | | | | | | | | | | | | | | | | | | | | | | | | | | | | | | | | | | | | | | | | | | | | | | | | | | | | | | | | | | | | | | | | | | | | | | | | | | | | | | | | | | | | | | | | | | | | | | | | | | | | | | | | | | | | | | | | | | | | | | | | | | | | | | | | | | | |
| GT | 38 | GTC | GPA | AF Amplifier | RR | 38 | RR | GPA | AF Amplifier | OC | 44 | AMP | GPA | RF Amplifier | OC | 45 | AMP | GPA | RF Amplifier | OC | 50 | AMP | GC | Oscillator | OC | 51 | AMP | GC | Switching | OC | 65 | AMP | GC | AF Amplifier | CT | 66 | GTC | GPA | Photo Use | OC | 66 | AMP | GPA | AF Amplifier | RR | 66 | RR | SD | AF Amplifier | OC | 70 | AMP | GPA | AF Amplifier | OC | 71 | AMP | GPA | RF Amplifier | OC | 72 | AMP | GMA | AF Amplifier | ZJ | 72 | GE | GNG | VHF Amplifier | OC | 73 | AMP | GPA | AF Amplifier | ZJ | 73 | GE | GNG | AF Amplifier | GT | 74 | GTC | GPA | AF Amplifier | GT | 75 | GTC | GPA | AF Amplifier | OC | 76 | AMP | GPA | Switching | GT | 81 | GTC | GPA | AF Amplifier | GT | 81H | GTC | GPA | AF Amplifier | GT | 81HS | GTC | GPA | AF Amplifier | GT | 82 | GTC | GPA | Switching | GT | 83 | GTC | GPA | Switching | GT | 87 | GTC | GPA | Switching | GT | 88 | GTC | GPA | Switching | DR | 100 | TS | GPA | AF Amplifier | DR | 101 | TS | GPA | AF Amplifier | DR | 102 | TS | GPA | AF Amplifier | GT | 109 | GTC | GPA | AF Amplifier | GT | 122 | GTC | GPA | Switching | GT | 123 | GTC | GPA | Switching | RR | 125 | RR | GPA | AF Amplifier | DR | 126 | TS | GPA | AF Amplifier | DR | 128 | TS | GPA | AF Amplifier | DR | 129 | TS | GPA | General Use | DR | 130 | TS | GPA | General Use | DR | 131 | TS | GPA | General Use | DR | 132 | TS | GPA | General Use | DR | 139 | TS | GPA | General Use | DR | 147 | TS | GPA | AF Power Amp | GT | 153 | GT | GPA | Switching | DR | 154 | TS | GPA | General Use | DR | 155 | TS | GPA | General Use | TS | 161 | TS | GMA | AF Amplifier | TS | 162 | TS | GMA | General Use | TS | 163 | TS | GPA | AF Amplifier | TS | 164 | TS | GPA | AF Amplifier | TS | 165 | TS | GPA | AF Amplifier | TS | 166 | TS | GPA | AF Amplifier | GT | 167 | GTC | GPA | Switching | TS | 176 | TS | GPA | AF Power Amp | 200 | TI | GNG | GPA | General Use | 201 | TI | GNG | GPA | General Use | 202 | TI | GNG | GPA | General Use | 206 | TI | GNG | GPA | AF Amplifier | 207 | TI | GNG | GPA | AF Amplifier | 208 | TI | GNG | GPA | AF Amplifier | GT | 210 | GTC | GPA | Switching | 210 | TI | GNG | GPA | AF Amplifier | 220 | TI | GNG | GPA | AF Amplifier | 221 | TI | GNG | GPA | IF Amplifier | GT | 222 | GTC | GPA | General Use | 222 | TI | GNG | GPA | IF Amplifier | 223 | TI | GNG | GPA | Converter | 224 | TI | GNG | GPA | Detector | 225 | TI | GNG | GPA | IF Amplifier | 227 | TI | GNG | GPA | IF Amplifier | 228 | TI | GNG | GPA | Detector | GT | 229 | GTC | GNA | AF Amplifier | 234 | TI | CNA | IF Amplifier | IF Amplifier | 235 | TI | GNA | GPA | Converter | GT | 269 | GTC | GPA | RF Amplifier | 301 | TI | GPA | AF Amplifier | AF Amplifier | 302 | TI | GPA | AF Amplifier | AF Amplifier | 310 | TI | GPA | AF Amplifier | AF Amplifier | 310 | TI | GPA | AF Amplifier | AF Amplifier | | | | | | | | | | | | | | | | | | | | | | | | | | | | | | | | | | | | | | | | | | | | | | | | | | | | | | | | | | | | | | | | | | | | | | | | | | | | | | | | | | | | | | | | | | | | | | | | | | | | | | | | | | | | | | | | | | | | | | | | | | | | | | | | | | | | | | | | | | | | | | | | | | | | | | | | | | | | | | | | | | | | | | | | | | | | | | | | | | | | | | | | | | | | | | | | | | | | | | | | | | | | | | | | | | | | | | | | | | | | | | | | | | | | | | | | | | | | | | | | | | | | | | | | | | | | | | | | | | | | | | | | | | | | | | | | | | | | | | | | | | | | | | | | | | | | | | | | | | | | | | | | | | | | | | | | | | | | | | | | | | | | | | | | | | | | | | | | | | | | | | | | | | | | | | | | | | | | | | | | | | | | | | | | | | | | | | | | | | | | | | | | | | | | | | | | | | | | | | | | | | | | | | | | | | | | | | | | | | | | | | | | | | | | | | | | | | | | | | | | | | | | | | | | | | | | | | | | | | | | | | | | | | | | | | | | | | | | | | | | | | | | | | | | | | | | | | | | | | | | | | | | | | | | | | | | | | | | | | | | | | | | | | | | | | | | | | | | | | | | | | | | | | | | | | | | | | | | | | | | | | | | | | | | | | | | | | | | | | | | | | | | | | | | | | | | | | | | | | | | | | | | | | | | | | | | | | | | | | | | | | | | | | | | | | | | | | | | | | | | |
| RR | 38 | RR | GPA | AF Amplifier | OC | 44 | AMP | GPA | RF Amplifier | OC | 45 | AMP | GPA | RF Amplifier | OC | 50 | AMP | GC | Oscillator | OC | 51 | AMP | GC | Switching | OC | 65 | AMP | GC | AF Amplifier | CT | 66 | GTC | GPA | Photo Use | OC | 66 | AMP | GPA | AF Amplifier | RR | 66 | RR | SD | AF Amplifier | OC | 70 | AMP | GPA | AF Amplifier | OC | 71 | AMP | GPA | RF Amplifier | OC | 72 | AMP | GMA | AF Amplifier | ZJ | 72 | GE | GNG | VHF Amplifier | OC | 73 | AMP | GPA | AF Amplifier | ZJ | 73 | GE | GNG | AF Amplifier | GT | 74 | GTC | GPA | AF Amplifier | GT | 75 | GTC | GPA | AF Amplifier | OC | 76 | AMP | GPA | Switching | GT | 81 | GTC | GPA | AF Amplifier | GT | 81H | GTC | GPA | AF Amplifier | GT | 81HS | GTC | GPA | AF Amplifier | GT | 82 | GTC | GPA | Switching | GT | 83 | GTC | GPA | Switching | GT | 87 | GTC | GPA | Switching | GT | 88 | GTC | GPA | Switching | DR | 100 | TS | GPA | AF Amplifier | DR | 101 | TS | GPA | AF Amplifier | DR | 102 | TS | GPA | AF Amplifier | GT | 109 | GTC | GPA | AF Amplifier | GT | 122 | GTC | GPA | Switching | GT | 123 | GTC | GPA | Switching | RR | 125 | RR | GPA | AF Amplifier | DR | 126 | TS | GPA | AF Amplifier | DR | 128 | TS | GPA | AF Amplifier | DR | 129 | TS | GPA | General Use | DR | 130 | TS | GPA | General Use | DR | 131 | TS | GPA | General Use | DR | 132 | TS | GPA | General Use | DR | 139 | TS | GPA | General Use | DR | 147 | TS | GPA | AF Power Amp | GT | 153 | GT | GPA | Switching | DR | 154 | TS | GPA | General Use | DR | 155 | TS | GPA | General Use | TS | 161 | TS | GMA | AF Amplifier | TS | 162 | TS | GMA | General Use | TS | 163 | TS | GPA | AF Amplifier | TS | 164 | TS | GPA | AF Amplifier | TS | 165 | TS | GPA | AF Amplifier | TS | 166 | TS | GPA | AF Amplifier | GT | 167 | GTC | GPA | Switching | TS | 176 | TS | GPA | AF Power Amp | 200 | TI | GNG | GPA | General Use | 201 | TI | GNG | GPA | General Use | 202 | TI | GNG | GPA | General Use | 206 | TI | GNG | GPA | AF Amplifier | 207 | TI | GNG | GPA | AF Amplifier | 208 | TI | GNG | GPA | AF Amplifier | GT | 210 | GTC | GPA | Switching | 210 | TI | GNG | GPA | AF Amplifier | 220 | TI | GNG | GPA | AF Amplifier | 221 | TI | GNG | GPA | IF Amplifier | GT | 222 | GTC | GPA | General Use | 222 | TI | GNG | GPA | IF Amplifier | 223 | TI | GNG | GPA | Converter | 224 | TI | GNG | GPA | Detector | 225 | TI | GNG | GPA | IF Amplifier | 227 | TI | GNG | GPA | IF Amplifier | 228 | TI | GNG | GPA | Detector | GT | 229 | GTC | GNA | AF Amplifier | 234 | TI | CNA | IF Amplifier | IF Amplifier | 235 | TI | GNA | GPA | Converter | GT | 269 | GTC | GPA | RF Amplifier | 301 | TI | GPA | AF Amplifier | AF Amplifier | 302 | TI | GPA | AF Amplifier | AF Amplifier | 310 | TI | GPA | AF Amplifier | AF Amplifier | 310 | TI | GPA | AF Amplifier | AF Amplifier | | | | | | | | | | | | | | | | | | | | | | | | | | | | | | | | | | | | | | | | | | | | | | | | | | | | | | | | | | | | | | | | | | | | | | | | | | | | | | | | | | | | | | | | | | | | | | | | | | | | | | | | | | | | | | | | | | | | | | | | | | | | | | | | | | | | | | | | | | | | | | | | | | | | | | | | | | | | | | | | | | | | | | | | | | | | | | | | | | | | | | | | | | | | | | | | | | | | | | | | | | | | | | | | | | | | | | | | | | | | | | | | | | | | | | | | | | | | | | | | | | | | | | | | | | | | | | | | | | | | | | | | | | | | | | | | | | | | | | | | | | | | | | | | | | | | | | | | | | | | | | | | | | | | | | | | | | | | | | | | | | | | | | | | | | | | | | | | | | | | | | | | | | | | | | | | | | | | | | | | | | | | | | | | | | | | | | | | | | | | | | | | | | | | | | | | | | | | | | | | | | | | | | | | | | | | | | | | | | | | | | | | | | | | | | | | | | | | | | | | | | | | | | | | | | | | | | | | | | | | | | | | | | | | | | | | | | | | | | | | | | | | | | | | | | | | | | | | | | | | | | | | | | | | | | | | | | | | | | | | | | | | | | | | | | | | | | | | | | | | | | | | | | | | | | | | | | | | | | | | | | | | | | | | | | | | | | | | | | | | | | | | | | | | | | | | | | | | | | | | | | | | | | | | | | | | | | | | | | | | | | | | | | | | | | | | | | | | | | | | | | | | | |
| OC | 44 | AMP | GPA | RF Amplifier | OC | 45 | AMP | GPA | RF Amplifier | OC | 50 | AMP | GC | Oscillator | OC | 51 | AMP | GC | Switching | OC | 65 | AMP | GC | AF Amplifier | CT | 66 | GTC | GPA | Photo Use | OC | 66 | AMP | GPA | AF Amplifier | RR | 66 | RR | SD | AF Amplifier | OC | 70 | AMP | GPA | AF Amplifier | OC | 71 | AMP | GPA | RF Amplifier | OC | 72 | AMP | GMA | AF Amplifier | ZJ | 72 | GE | GNG | VHF Amplifier | OC | 73 | AMP | GPA | AF Amplifier | ZJ | 73 | GE | GNG | AF Amplifier | GT | 74 | GTC | GPA | AF Amplifier | GT | 75 | GTC | GPA | AF Amplifier | OC | 76 | AMP | GPA | Switching | GT | 81 | GTC | GPA | AF Amplifier | GT | 81H | GTC | GPA | AF Amplifier | GT | 81HS | GTC | GPA | AF Amplifier | GT | 82 | GTC | GPA | Switching | GT | 83 | GTC | GPA | Switching | GT | 87 | GTC | GPA | Switching | GT | 88 | GTC | GPA | Switching | DR | 100 | TS | GPA | AF Amplifier | DR | 101 | TS | GPA | AF Amplifier | DR | 102 | TS | GPA | AF Amplifier | GT | 109 | GTC | GPA | AF Amplifier | GT | 122 | GTC | GPA | Switching | GT | 123 | GTC | GPA | Switching | RR | 125 | RR | GPA | AF Amplifier | DR | 126 | TS | GPA | AF Amplifier | DR | 128 | TS | GPA | AF Amplifier | DR | 129 | TS | GPA | General Use | DR | 130 | TS | GPA | General Use | DR | 131 | TS | GPA | General Use | DR | 132 | TS | GPA | General Use | DR | 139 | TS | GPA | General Use | DR | 147 | TS | GPA | AF Power Amp | GT | 153 | GT | GPA | Switching | DR | 154 | TS | GPA | General Use | DR | 155 | TS | GPA | General Use | TS | 161 | TS | GMA | AF Amplifier | TS | 162 | TS | GMA | General Use | TS | 163 | TS | GPA | AF Amplifier | TS | 164 | TS | GPA | AF Amplifier | TS | 165 | TS | GPA | AF Amplifier | TS | 166 | TS | GPA | AF Amplifier | GT | 167 | GTC | GPA | Switching | TS | 176 | TS | GPA | AF Power Amp | 200 | TI | GNG | GPA | General Use | 201 | TI | GNG | GPA | General Use | 202 | TI | GNG | GPA | General Use | 206 | TI | GNG | GPA | AF Amplifier | 207 | TI | GNG | GPA | AF Amplifier | 208 | TI | GNG | GPA | AF Amplifier | GT | 210 | GTC | GPA | Switching | 210 | TI | GNG | GPA | AF Amplifier | 220 | TI | GNG | GPA | AF Amplifier | 221 | TI | GNG | GPA | IF Amplifier | GT | 222 | GTC | GPA | General Use | 222 | TI | GNG | GPA | IF Amplifier | 223 | TI | GNG | GPA | Converter | 224 | TI | GNG | GPA | Detector | 225 | TI | GNG | GPA | IF Amplifier | 227 | TI | GNG | GPA | IF Amplifier | 228 | TI | GNG | GPA | Detector | GT | 229 | GTC | GNA | AF Amplifier | 234 | TI | CNA | IF Amplifier | IF Amplifier | 235 | TI | GNA | GPA | Converter | GT | 269 | GTC | GPA | RF Amplifier | 301 | TI | GPA | AF Amplifier | AF Amplifier | 302 | TI | GPA | AF Amplifier | AF Amplifier | 310 | TI | GPA | AF Amplifier | AF Amplifier | 310 | TI | GPA | AF Amplifier | AF Amplifier | | | | | | | | | | | | | | | | | | | | | | | | | | | | | | | | | | | | | | | | | | | | | | | | | | | | | | | | | | | | | | | | | | | | | | | | | | | | | | | | | | | | | | | | | | | | | | | | | | | | | | | | | | | | | | | | | | | | | | | | | | | | | | | | | | | | | | | | | | | | | | | | | | | | | | | | | | | | | | | | | | | | | | | | | | | | | | | | | | | | | | | | | | | | | | | | | | | | | | | | | | | | | | | | | | | | | | | | | | | | | | | | | | | | | | | | | | | | | | | | | | | | | | | | | | | | | | | | | | | | | | | | | | | | | | | | | | | | | | | | | | | | | | | | | | | | | | | | | | | | | | | | | | | | | | | | | | | | | | | | | | | | | | | | | | | | | | | | | | | | | | | | | | | | | | | | | | | | | | | | | | | | | | | | | | | | | | | | | | | | | | | | | | | | | | | | | | | | | | | | | | | | | | | | | | | | | | | | | | | | | | | | | | | | | | | | | | | | | | | | | | | | | | | | | | | | | | | | | | | | | | | | | | | | | | | | | | | | | | | | | | | | | | | | | | | | | | | | | | | | | | | | | | | | | | | | | | | | | | | | | | | | | | | | | | | | | | | | | | | | | | | | | | | | | | | | | | | | | | | | | | | | | | | | | | | | | | | | | | | | | | | | | | | | | | | | | | | | | | | | | | | | | | | | | | | | | | | | | | | | | | | | | | | | | | | | | | | | | | | | | | | | | | | | | | |
| OC | 45 | AMP | GPA | RF Amplifier | OC | 50 | AMP | GC | Oscillator | OC | 51 | AMP | GC | Switching | OC | 65 | AMP | GC | AF Amplifier | CT | 66 | GTC | GPA | Photo Use | OC | 66 | AMP | GPA | AF Amplifier | RR | 66 | RR | SD | AF Amplifier | OC | 70 | AMP | GPA | AF Amplifier | OC | 71 | AMP | GPA | RF Amplifier | OC | 72 | AMP | GMA | AF Amplifier | ZJ | 72 | GE | GNG | VHF Amplifier | OC | 73 | AMP | GPA | AF Amplifier | ZJ | 73 | GE | GNG | AF Amplifier | GT | 74 | GTC | GPA | AF Amplifier | GT | 75 | GTC | GPA | AF Amplifier | OC | 76 | AMP | GPA | Switching | GT | 81 | GTC | GPA | AF Amplifier | GT | 81H | GTC | GPA | AF Amplifier | GT | 81HS | GTC | GPA | AF Amplifier | GT | 82 | GTC | GPA | Switching | GT | 83 | GTC | GPA | Switching | GT | 87 | GTC | GPA | Switching | GT | 88 | GTC | GPA | Switching | DR | 100 | TS | GPA | AF Amplifier | DR | 101 | TS | GPA | AF Amplifier | DR | 102 | TS | GPA | AF Amplifier | GT | 109 | GTC | GPA | AF Amplifier | GT | 122 | GTC | GPA | Switching | GT | 123 | GTC | GPA | Switching | RR | 125 | RR | GPA | AF Amplifier | DR | 126 | TS | GPA | AF Amplifier | DR | 128 | TS | GPA | AF Amplifier | DR | 129 | TS | GPA | General Use | DR | 130 | TS | GPA | General Use | DR | 131 | TS | GPA | General Use | DR | 132 | TS | GPA | General Use | DR | 139 | TS | GPA | General Use | DR | 147 | TS | GPA | AF Power Amp | GT | 153 | GT | GPA | Switching | DR | 154 | TS | GPA | General Use | DR | 155 | TS | GPA | General Use | TS | 161 | TS | GMA | AF Amplifier | TS | 162 | TS | GMA | General Use | TS | 163 | TS | GPA | AF Amplifier | TS | 164 | TS | GPA | AF Amplifier | TS | 165 | TS | GPA | AF Amplifier | TS | 166 | TS | GPA | AF Amplifier | GT | 167 | GTC | GPA | Switching | TS | 176 | TS | GPA | AF Power Amp | 200 | TI | GNG | GPA | General Use | 201 | TI | GNG | GPA | General Use | 202 | TI | GNG | GPA | General Use | 206 | TI | GNG | GPA | AF Amplifier | 207 | TI | GNG | GPA | AF Amplifier | 208 | TI | GNG | GPA | AF Amplifier | GT | 210 | GTC | GPA | Switching | 210 | TI | GNG | GPA | AF Amplifier | 220 | TI | GNG | GPA | AF Amplifier | 221 | TI | GNG | GPA | IF Amplifier | GT | 222 | GTC | GPA | General Use | 222 | TI | GNG | GPA | IF Amplifier | 223 | TI | GNG | GPA | Converter | 224 | TI | GNG | GPA | Detector | 225 | TI | GNG | GPA | IF Amplifier | 227 | TI | GNG | GPA | IF Amplifier | 228 | TI | GNG | GPA | Detector | GT | 229 | GTC | GNA | AF Amplifier | 234 | TI | CNA | IF Amplifier | IF Amplifier | 235 | TI | GNA | GPA | Converter | GT | 269 | GTC | GPA | RF Amplifier | 301 | TI | GPA | AF Amplifier | AF Amplifier | 302 | TI | GPA | AF Amplifier | AF Amplifier | 310 | TI | GPA | AF Amplifier | AF Amplifier | 310 | TI | GPA | AF Amplifier | AF Amplifier | | | | | | | | | | | | | | | | | | | | | | | | | | | | | | | | | | | | | | | | | | | | | | | | | | | | | | | | | | | | | | | | | | | | | | | | | | | | | | | | | | | | | | | | | | | | | | | | | | | | | | | | | | | | | | | | | | | | | | | | | | | | | | | | | | | | | | | | | | | | | | | | | | | | | | | | | | | | | | | | | | | | | | | | | | | | | | | | | | | | | | | | | | | | | | | | | | | | | | | | | | | | | | | | | | | | | | | | | | | | | | | | | | | | | | | | | | | | | | | | | | | | | | | | | | | | | | | | | | | | | | | | | | | | | | | | | | | | | | | | | | | | | | | | | | | | | | | | | | | | | | | | | | | | | | | | | | | | | | | | | | | | | | | | | | | | | | | | | | | | | | | | | | | | | | | | | | | | | | | | | | | | | | | | | | | | | | | | | | | | | | | | | | | | | | | | | | | | | | | | | | | | | | | | | | | | | | | | | | | | | | | | | | | | | | | | | | | | | | | | | | | | | | | | | | | | | | | | | | | | | | | | | | | | | | | | | | | | | | | | | | | | | | | | | | | | | | | | | | | | | | | | | | | | | | | | | | | | | | | | | | | | | | | | | | | | | | | | | | | | | | | | | | | | | | | | | | | | | | | | | | | | | | | | | | | | | | | | | | | | | | | | | | | | | | | | | | | | | | | | | | | | | | | | | | | | | | | | | | | | | | | | | | | | | | | | | | | | | | | | | | | | | | | | | | | | | | | |
| OC | 50 | AMP | GC | Oscillator | OC | 51 | AMP | GC | Switching | OC | 65 | AMP | GC | AF Amplifier | CT | 66 | GTC | GPA | Photo Use | OC | 66 | AMP | GPA | AF Amplifier | RR | 66 | RR | SD | AF Amplifier | OC | 70 | AMP | GPA | AF Amplifier | OC | 71 | AMP | GPA | RF Amplifier | OC | 72 | AMP | GMA | AF Amplifier | ZJ | 72 | GE | GNG | VHF Amplifier | OC | 73 | AMP | GPA | AF Amplifier | ZJ | 73 | GE | GNG | AF Amplifier | GT | 74 | GTC | GPA | AF Amplifier | GT | 75 | GTC | GPA | AF Amplifier | OC | 76 | AMP | GPA | Switching | GT | 81 | GTC | GPA | AF Amplifier | GT | 81H | GTC | GPA | AF Amplifier | GT | 81HS | GTC | GPA | AF Amplifier | GT | 82 | GTC | GPA | Switching | GT | 83 | GTC | GPA | Switching | GT | 87 | GTC | GPA | Switching | GT | 88 | GTC | GPA | Switching | DR | 100 | TS | GPA | AF Amplifier | DR | 101 | TS | GPA | AF Amplifier | DR | 102 | TS | GPA | AF Amplifier | GT | 109 | GTC | GPA | AF Amplifier | GT | 122 | GTC | GPA | Switching | GT | 123 | GTC | GPA | Switching | RR | 125 | RR | GPA | AF Amplifier | DR | 126 | TS | GPA | AF Amplifier | DR | 128 | TS | GPA | AF Amplifier | DR | 129 | TS | GPA | General Use | DR | 130 | TS | GPA | General Use | DR | 131 | TS | GPA | General Use | DR | 132 | TS | GPA | General Use | DR | 139 | TS | GPA | General Use | DR | 147 | TS | GPA | AF Power Amp | GT | 153 | GT | GPA | Switching | DR | 154 | TS | GPA | General Use | DR | 155 | TS | GPA | General Use | TS | 161 | TS | GMA | AF Amplifier | TS | 162 | TS | GMA | General Use | TS | 163 | TS | GPA | AF Amplifier | TS | 164 | TS | GPA | AF Amplifier | TS | 165 | TS | GPA | AF Amplifier | TS | 166 | TS | GPA | AF Amplifier | GT | 167 | GTC | GPA | Switching | TS | 176 | TS | GPA | AF Power Amp | 200 | TI | GNG | GPA | General Use | 201 | TI | GNG | GPA | General Use | 202 | TI | GNG | GPA | General Use | 206 | TI | GNG | GPA | AF Amplifier | 207 | TI | GNG | GPA | AF Amplifier | 208 | TI | GNG | GPA | AF Amplifier | GT | 210 | GTC | GPA | Switching | 210 | TI | GNG | GPA | AF Amplifier | 220 | TI | GNG | GPA | AF Amplifier | 221 | TI | GNG | GPA | IF Amplifier | GT | 222 | GTC | GPA | General Use | 222 | TI | GNG | GPA | IF Amplifier | 223 | TI | GNG | GPA | Converter | 224 | TI | GNG | GPA | Detector | 225 | TI | GNG | GPA | IF Amplifier | 227 | TI | GNG | GPA | IF Amplifier | 228 | TI | GNG | GPA | Detector | GT | 229 | GTC | GNA | AF Amplifier | 234 | TI | CNA | IF Amplifier | IF Amplifier | 235 | TI | GNA | GPA | Converter | GT | 269 | GTC | GPA | RF Amplifier | 301 | TI | GPA | AF Amplifier | AF Amplifier | 302 | TI | GPA | AF Amplifier | AF Amplifier | 310 | TI | GPA | AF Amplifier | AF Amplifier | 310 | TI | GPA | AF Amplifier | AF Amplifier | | | | | | | | | | | | | | | | | | | | | | | | | | | | | | | | | | | | | | | | | | | | | | | | | | | | | | | | | | | | | | | | | | | | | | | | | | | | | | | | | | | | | | | | | | | | | | | | | | | | | | | | | | | | | | | | | | | | | | | | | | | | | | | | | | | | | | | | | | | | | | | | | | | | | | | | | | | | | | | | | | | | | | | | | | | | | | | | | | | | | | | | | | | | | | | | | | | | | | | | | | | | | | | | | | | | | | | | | | | | | | | | | | | | | | | | | | | | | | | | | | | | | | | | | | | | | | | | | | | | | | | | | | | | | | | | | | | | | | | | | | | | | | | | | | | | | | | | | | | | | | | | | | | | | | | | | | | | | | | | | | | | | | | | | | | | | | | | | | | | | | | | | | | | | | | | | | | | | | | | | | | | | | | | | | | | | | | | | | | | | | | | | | | | | | | | | | | | | | | | | | | | | | | | | | | | | | | | | | | | | | | | | | | | | | | | | | | | | | | | | | | | | | | | | | | | | | | | | | | | | | | | | | | | | | | | | | | | | | | | | | | | | | | | | | | | | | | | | | | | | | | | | | | | | | | | | | | | | | | | | | | | | | | | | | | | | | | | | | | | | | | | | | | | | | | | | | | | | | | | | | | | | | | | | | | | | | | | | | | | | | | | | | | | | | | | | | | | | | | | | | | | | | | | | | | | | | | | | | | | | | | | | | | | | | | | | | | | | | | | | | | | | | | | | | | | | | | | | | | | |
| OC | 51 | AMP | GC | Switching | OC | 65 | AMP | GC | AF Amplifier | CT | 66 | GTC | GPA | Photo Use | OC | 66 | AMP | GPA | AF Amplifier | RR | 66 | RR | SD | AF Amplifier | OC | 70 | AMP | GPA | AF Amplifier | OC | 71 | AMP | GPA | RF Amplifier | OC | 72 | AMP | GMA | AF Amplifier | ZJ | 72 | GE | GNG | VHF Amplifier | OC | 73 | AMP | GPA | AF Amplifier | ZJ | 73 | GE | GNG | AF Amplifier | GT | 74 | GTC | GPA | AF Amplifier | GT | 75 | GTC | GPA | AF Amplifier | OC | 76 | AMP | GPA | Switching | GT | 81 | GTC | GPA | AF Amplifier | GT | 81H | GTC | GPA | AF Amplifier | GT | 81HS | GTC | GPA | AF Amplifier | GT | 82 | GTC | GPA | Switching | GT | 83 | GTC | GPA | Switching | GT | 87 | GTC | GPA | Switching | GT | 88 | GTC | GPA | Switching | DR | 100 | TS | GPA | AF Amplifier | DR | 101 | TS | GPA | AF Amplifier | DR | 102 | TS | GPA | AF Amplifier | GT | 109 | GTC | GPA | AF Amplifier | GT | 122 | GTC | GPA | Switching | GT | 123 | GTC | GPA | Switching | RR | 125 | RR | GPA | AF Amplifier | DR | 126 | TS | GPA | AF Amplifier | DR | 128 | TS | GPA | AF Amplifier | DR | 129 | TS | GPA | General Use | DR | 130 | TS | GPA | General Use | DR | 131 | TS | GPA | General Use | DR | 132 | TS | GPA | General Use | DR | 139 | TS | GPA | General Use | DR | 147 | TS | GPA | AF Power Amp | GT | 153 | GT | GPA | Switching | DR | 154 | TS | GPA | General Use | DR | 155 | TS | GPA | General Use | TS | 161 | TS | GMA | AF Amplifier | TS | 162 | TS | GMA | General Use | TS | 163 | TS | GPA | AF Amplifier | TS | 164 | TS | GPA | AF Amplifier | TS | 165 | TS | GPA | AF Amplifier | TS | 166 | TS | GPA | AF Amplifier | GT | 167 | GTC | GPA | Switching | TS | 176 | TS | GPA | AF Power Amp | 200 | TI | GNG | GPA | General Use | 201 | TI | GNG | GPA | General Use | 202 | TI | GNG | GPA | General Use | 206 | TI | GNG | GPA | AF Amplifier | 207 | TI | GNG | GPA | AF Amplifier | 208 | TI | GNG | GPA | AF Amplifier | GT | 210 | GTC | GPA | Switching | 210 | TI | GNG | GPA | AF Amplifier | 220 | TI | GNG | GPA | AF Amplifier | 221 | TI | GNG | GPA | IF Amplifier | GT | 222 | GTC | GPA | General Use | 222 | TI | GNG | GPA | IF Amplifier | 223 | TI | GNG | GPA | Converter | 224 | TI | GNG | GPA | Detector | 225 | TI | GNG | GPA | IF Amplifier | 227 | TI | GNG | GPA | IF Amplifier | 228 | TI | GNG | GPA | Detector | GT | 229 | GTC | GNA | AF Amplifier | 234 | TI | CNA | IF Amplifier | IF Amplifier | 235 | TI | GNA | GPA | Converter | GT | 269 | GTC | GPA | RF Amplifier | 301 | TI | GPA | AF Amplifier | AF Amplifier | 302 | TI | GPA | AF Amplifier | AF Amplifier | 310 | TI | GPA | AF Amplifier | AF Amplifier | 310 | TI | GPA | AF Amplifier | AF Amplifier | | | | | | | | | | | | | | | | | | | | | | | | | | | | | | | | | | | | | | | | | | | | | | | | | | | | | | | | | | | | | | | | | | | | | | | | | | | | | | | | | | | | | | | | | | | | | | | | | | | | | | | | | | | | | | | | | | | | | | | | | | | | | | | | | | | | | | | | | | | | | | | | | | | | | | | | | | | | | | | | | | | | | | | | | | | | | | | | | | | | | | | | | | | | | | | | | | | | | | | | | | | | | | | | | | | | | | | | | | | | | | | | | | | | | | | | | | | | | | | | | | | | | | | | | | | | | | | | | | | | | | | | | | | | | | | | | | | | | | | | | | | | | | | | | | | | | | | | | | | | | | | | | | | | | | | | | | | | | | | | | | | | | | | | | | | | | | | | | | | | | | | | | | | | | | | | | | | | | | | | | | | | | | | | | | | | | | | | | | | | | | | | | | | | | | | | | | | | | | | | | | | | | | | | | | | | | | | | | | | | | | | | | | | | | | | | | | | | | | | | | | | | | | | | | | | | | | | | | | | | | | | | | | | | | | | | | | | | | | | | | | | | | | | | | | | | | | | | | | | | | | | | | | | | | | | | | | | | | | | | | | | | | | | | | | | | | | | | | | | | | | | | | | | | | | | | | | | | | | | | | | | | | | | | | | | | | | | | | | | | | | | | | | | | | | | | | | | | | | | | | | | | | | | | | | | | | | | | | | | | | | | | | | | | | | | | | | | | | | | | | | | | | | | | | | | | | | | | | | | | | | | | | |
| OC | 65 | AMP | GC | AF Amplifier | CT | 66 | GTC | GPA | Photo Use | OC | 66 | AMP | GPA | AF Amplifier | RR | 66 | RR | SD | AF Amplifier | OC | 70 | AMP | GPA | AF Amplifier | OC | 71 | AMP | GPA | RF Amplifier | OC | 72 | AMP | GMA | AF Amplifier | ZJ | 72 | GE | GNG | VHF Amplifier | OC | 73 | AMP | GPA | AF Amplifier | ZJ | 73 | GE | GNG | AF Amplifier | GT | 74 | GTC | GPA | AF Amplifier | GT | 75 | GTC | GPA | AF Amplifier | OC | 76 | AMP | GPA | Switching | GT | 81 | GTC | GPA | AF Amplifier | GT | 81H | GTC | GPA | AF Amplifier | GT | 81HS | GTC | GPA | AF Amplifier | GT | 82 | GTC | GPA | Switching | GT | 83 | GTC | GPA | Switching | GT | 87 | GTC | GPA | Switching | GT | 88 | GTC | GPA | Switching | DR | 100 | TS | GPA | AF Amplifier | DR | 101 | TS | GPA | AF Amplifier | DR | 102 | TS | GPA | AF Amplifier | GT | 109 | GTC | GPA | AF Amplifier | GT | 122 | GTC | GPA | Switching | GT | 123 | GTC | GPA | Switching | RR | 125 | RR | GPA | AF Amplifier | DR | 126 | TS | GPA | AF Amplifier | DR | 128 | TS | GPA | AF Amplifier | DR | 129 | TS | GPA | General Use | DR | 130 | TS | GPA | General Use | DR | 131 | TS | GPA | General Use | DR | 132 | TS | GPA | General Use | DR | 139 | TS | GPA | General Use | DR | 147 | TS | GPA | AF Power Amp | GT | 153 | GT | GPA | Switching | DR | 154 | TS | GPA | General Use | DR | 155 | TS | GPA | General Use | TS | 161 | TS | GMA | AF Amplifier | TS | 162 | TS | GMA | General Use | TS | 163 | TS | GPA | AF Amplifier | TS | 164 | TS | GPA | AF Amplifier | TS | 165 | TS | GPA | AF Amplifier | TS | 166 | TS | GPA | AF Amplifier | GT | 167 | GTC | GPA | Switching | TS | 176 | TS | GPA | AF Power Amp | 200 | TI | GNG | GPA | General Use | 201 | TI | GNG | GPA | General Use | 202 | TI | GNG | GPA | General Use | 206 | TI | GNG | GPA | AF Amplifier | 207 | TI | GNG | GPA | AF Amplifier | 208 | TI | GNG | GPA | AF Amplifier | GT | 210 | GTC | GPA | Switching | 210 | TI | GNG | GPA | AF Amplifier | 220 | TI | GNG | GPA | AF Amplifier | 221 | TI | GNG | GPA | IF Amplifier | GT | 222 | GTC | GPA | General Use | 222 | TI | GNG | GPA | IF Amplifier | 223 | TI | GNG | GPA | Converter | 224 | TI | GNG | GPA | Detector | 225 | TI | GNG | GPA | IF Amplifier | 227 | TI | GNG | GPA | IF Amplifier | 228 | TI | GNG | GPA | Detector | GT | 229 | GTC | GNA | AF Amplifier | 234 | TI | CNA | IF Amplifier | IF Amplifier | 235 | TI | GNA | GPA | Converter | GT | 269 | GTC | GPA | RF Amplifier | 301 | TI | GPA | AF Amplifier | AF Amplifier | 302 | TI | GPA | AF Amplifier | AF Amplifier | 310 | TI | GPA | AF Amplifier | AF Amplifier | 310 | TI | GPA | AF Amplifier | AF Amplifier | | | | | | | | | | | | | | | | | | | | | | | | | | | | | | | | | | | | | | | | | | | | | | | | | | | | | | | | | | | | | | | | | | | | | | | | | | | | | | | | | | | | | | | | | | | | | | | | | | | | | | | | | | | | | | | | | | | | | | | | | | | | | | | | | | | | | | | | | | | | | | | | | | | | | | | | | | | | | | | | | | | | | | | | | | | | | | | | | | | | | | | | | | | | | | | | | | | | | | | | | | | | | | | | | | | | | | | | | | | | | | | | | | | | | | | | | | | | | | | | | | | | | | | | | | | | | | | | | | | | | | | | | | | | | | | | | | | | | | | | | | | | | | | | | | | | | | | | | | | | | | | | | | | | | | | | | | | | | | | | | | | | | | | | | | | | | | | | | | | | | | | | | | | | | | | | | | | | | | | | | | | | | | | | | | | | | | | | | | | | | | | | | | | | | | | | | | | | | | | | | | | | | | | | | | | | | | | | | | | | | | | | | | | | | | | | | | | | | | | | | | | | | | | | | | | | | | | | | | | | | | | | | | | | | | | | | | | | | | | | | | | | | | | | | | | | | | | | | | | | | | | | | | | | | | | | | | | | | | | | | | | | | | | | | | | | | | | | | | | | | | | | | | | | | | | | | | | | | | | | | | | | | | | | | | | | | | | | | | | | | | | | | | | | | | | | | | | | | | | | | | | | | | | | | | | | | | | | | | | | | | | | | | | | | | | | | | | | | | | | | | | | | | | | | | | | | | | | | | | | | | | | | | | | | | |
| CT | 66 | GTC | GPA | Photo Use | OC | 66 | AMP | GPA | AF Amplifier | RR | 66 | RR | SD | AF Amplifier | OC | 70 | AMP | GPA | AF Amplifier | OC | 71 | AMP | GPA | RF Amplifier | OC | 72 | AMP | GMA | AF Amplifier | ZJ | 72 | GE | GNG | VHF Amplifier | OC | 73 | AMP | GPA | AF Amplifier | ZJ | 73 | GE | GNG | AF Amplifier | GT | 74 | GTC | GPA | AF Amplifier | GT | 75 | GTC | GPA | AF Amplifier | OC | 76 | AMP | GPA | Switching | GT | 81 | GTC | GPA | AF Amplifier | GT | 81H | GTC | GPA | AF Amplifier | GT | 81HS | GTC | GPA | AF Amplifier | GT | 82 | GTC | GPA | Switching | GT | 83 | GTC | GPA | Switching | GT | 87 | GTC | GPA | Switching | GT | 88 | GTC | GPA | Switching | DR | 100 | TS | GPA | AF Amplifier | DR | 101 | TS | GPA | AF Amplifier | DR | 102 | TS | GPA | AF Amplifier | GT | 109 | GTC | GPA | AF Amplifier | GT | 122 | GTC | GPA | Switching | GT | 123 | GTC | GPA | Switching | RR | 125 | RR | GPA | AF Amplifier | DR | 126 | TS | GPA | AF Amplifier | DR | 128 | TS | GPA | AF Amplifier | DR | 129 | TS | GPA | General Use | DR | 130 | TS | GPA | General Use | DR | 131 | TS | GPA | General Use | DR | 132 | TS | GPA | General Use | DR | 139 | TS | GPA | General Use | DR | 147 | TS | GPA | AF Power Amp | GT | 153 | GT | GPA | Switching | DR | 154 | TS | GPA | General Use | DR | 155 | TS | GPA | General Use | TS | 161 | TS | GMA | AF Amplifier | TS | 162 | TS | GMA | General Use | TS | 163 | TS | GPA | AF Amplifier | TS | 164 | TS | GPA | AF Amplifier | TS | 165 | TS | GPA | AF Amplifier | TS | 166 | TS | GPA | AF Amplifier | GT | 167 | GTC | GPA | Switching | TS | 176 | TS | GPA | AF Power Amp | 200 | TI | GNG | GPA | General Use | 201 | TI | GNG | GPA | General Use | 202 | TI | GNG | GPA | General Use | 206 | TI | GNG | GPA | AF Amplifier | 207 | TI | GNG | GPA | AF Amplifier | 208 | TI | GNG | GPA | AF Amplifier | GT | 210 | GTC | GPA | Switching | 210 | TI | GNG | GPA | AF Amplifier | 220 | TI | GNG | GPA | AF Amplifier | 221 | TI | GNG | GPA | IF Amplifier | GT | 222 | GTC | GPA | General Use | 222 | TI | GNG | GPA | IF Amplifier | 223 | TI | GNG | GPA | Converter | 224 | TI | GNG | GPA | Detector | 225 | TI | GNG | GPA | IF Amplifier | 227 | TI | GNG | GPA | IF Amplifier | 228 | TI | GNG | GPA | Detector | GT | 229 | GTC | GNA | AF Amplifier | 234 | TI | CNA | IF Amplifier | IF Amplifier | 235 | TI | GNA | GPA | Converter | GT | 269 | GTC | GPA | RF Amplifier | 301 | TI | GPA | AF Amplifier | AF Amplifier | 302 | TI | GPA | AF Amplifier | AF Amplifier | 310 | TI | GPA | AF Amplifier | AF Amplifier | 310 | TI | GPA | AF Amplifier | AF Amplifier | | | | | | | | | | | | | | | | | | | | | | | | | | | | | | | | | | | | | | | | | | | | | | | | | | | | | | | | | | | | | | | | | | | | | | | | | | | | | | | | | | | | | | | | | | | | | | | | | | | | | | | | | | | | | | | | | | | | | | | | | | | | | | | | | | | | | | | | | | | | | | | | | | | | | | | | | | | | | | | | | | | | | | | | | | | | | | | | | | | | | | | | | | | | | | | | | | | | | | | | | | | | | | | | | | | | | | | | | | | | | | | | | | | | | | | | | | | | | | | | | | | | | | | | | | | | | | | | | | | | | | | | | | | | | | | | | | | | | | | | | | | | | | | | | | | | | | | | | | | | | | | | | | | | | | | | | | | | | | | | | | | | | | | | | | | | | | | | | | | | | | | | | | | | | | | | | | | | | | | | | | | | | | | | | | | | | | | | | | | | | | | | | | | | | | | | | | | | | | | | | | | | | | | | | | | | | | | | | | | | | | | | | | | | | | | | | | | | | | | | | | | | | | | | | | | | | | | | | | | | | | | | | | | | | | | | | | | | | | | | | | | | | | | | | | | | | | | | | | | | | | | | | | | | | | | | | | | | | | | | | | | | | | | | | | | | | | | | | | | | | | | | | | | | | | | | | | | | | | | | | | | | | | | | | | | | | | | | | | | | | | | | | | | | | | | | | | | | | | | | | | | | | | | | | | | | | | | | | | | | | | | | | | | | | | | | | | | | | | | | | | | | | | | | | | | | | | | | | | | | | | | | | | | | | | | | | | | |
| OC | 66 | AMP | GPA | AF Amplifier | RR | 66 | RR | SD | AF Amplifier | OC | 70 | AMP | GPA | AF Amplifier | OC | 71 | AMP | GPA | RF Amplifier | OC | 72 | AMP | GMA | AF Amplifier | ZJ | 72 | GE | GNG | VHF Amplifier | OC | 73 | AMP | GPA | AF Amplifier | ZJ | 73 | GE | GNG | AF Amplifier | GT | 74 | GTC | GPA | AF Amplifier | GT | 75 | GTC | GPA | AF Amplifier | OC | 76 | AMP | GPA | Switching | GT | 81 | GTC | GPA | AF Amplifier | GT | 81H | GTC | GPA | AF Amplifier | GT | 81HS | GTC | GPA | AF Amplifier | GT | 82 | GTC | GPA | Switching | GT | 83 | GTC | GPA | Switching | GT | 87 | GTC | GPA | Switching | GT | 88 | GTC | GPA | Switching | DR | 100 | TS | GPA | AF Amplifier | DR | 101 | TS | GPA | AF Amplifier | DR | 102 | TS | GPA | AF Amplifier | GT | 109 | GTC | GPA | AF Amplifier | GT | 122 | GTC | GPA | Switching | GT | 123 | GTC | GPA | Switching | RR | 125 | RR | GPA | AF Amplifier | DR | 126 | TS | GPA | AF Amplifier | DR | 128 | TS | GPA | AF Amplifier | DR | 129 | TS | GPA | General Use | DR | 130 | TS | GPA | General Use | DR | 131 | TS | GPA | General Use | DR | 132 | TS | GPA | General Use | DR | 139 | TS | GPA | General Use | DR | 147 | TS | GPA | AF Power Amp | GT | 153 | GT | GPA | Switching | DR | 154 | TS | GPA | General Use | DR | 155 | TS | GPA | General Use | TS | 161 | TS | GMA | AF Amplifier | TS | 162 | TS | GMA | General Use | TS | 163 | TS | GPA | AF Amplifier | TS | 164 | TS | GPA | AF Amplifier | TS | 165 | TS | GPA | AF Amplifier | TS | 166 | TS | GPA | AF Amplifier | GT | 167 | GTC | GPA | Switching | TS | 176 | TS | GPA | AF Power Amp | 200 | TI | GNG | GPA | General Use | 201 | TI | GNG | GPA | General Use | 202 | TI | GNG | GPA | General Use | 206 | TI | GNG | GPA | AF Amplifier | 207 | TI | GNG | GPA | AF Amplifier | 208 | TI | GNG | GPA | AF Amplifier | GT | 210 | GTC | GPA | Switching | 210 | TI | GNG | GPA | AF Amplifier | 220 | TI | GNG | GPA | AF Amplifier | 221 | TI | GNG | GPA | IF Amplifier | GT | 222 | GTC | GPA | General Use | 222 | TI | GNG | GPA | IF Amplifier | 223 | TI | GNG | GPA | Converter | 224 | TI | GNG | GPA | Detector | 225 | TI | GNG | GPA | IF Amplifier | 227 | TI | GNG | GPA | IF Amplifier | 228 | TI | GNG | GPA | Detector | GT | 229 | GTC | GNA | AF Amplifier | 234 | TI | CNA | IF Amplifier | IF Amplifier | 235 | TI | GNA | GPA | Converter | GT | 269 | GTC | GPA | RF Amplifier | 301 | TI | GPA | AF Amplifier | AF Amplifier | 302 | TI | GPA | AF Amplifier | AF Amplifier | 310 | TI | GPA | AF Amplifier | AF Amplifier | 310 | TI | GPA | AF Amplifier | AF Amplifier | | | | | | | | | | | | | | | | | | | | | | | | | | | | | | | | | | | | | | | | | | | | | | | | | | | | | | | | | | | | | | | | | | | | | | | | | | | | | | | | | | | | | | | | | | | | | | | | | | | | | | | | | | | | | | | | | | | | | | | | | | | | | | | | | | | | | | | | | | | | | | | | | | | | | | | | | | | | | | | | | | | | | | | | | | | | | | | | | | | | | | | | | | | | | | | | | | | | | | | | | | | | | | | | | | | | | | | | | | | | | | | | | | | | | | | | | | | | | | | | | | | | | | | | | | | | | | | | | | | | | | | | | | | | | | | | | | | | | | | | | | | | | | | | | | | | | | | | | | | | | | | | | | | | | | | | | | | | | | | | | | | | | | | | | | | | | | | | | | | | | | | | | | | | | | | | | | | | | | | | | | | | | | | | | | | | | | | | | | | | | | | | | | | | | | | | | | | | | | | | | | | | | | | | | | | | | | | | | | | | | | | | | | | | | | | | | | | | | | | | | | | | | | | | | | | | | | | | | | | | | | | | | | | | | | | | | | | | | | | | | | | | | | | | | | | | | | | | | | | | | | | | | | | | | | | | | | | | | | | | | | | | | | | | | | | | | | | | | | | | | | | | | | | | | | | | | | | | | | | | | | | | | | | | | | | | | | | | | | | | | | | | | | | | | | | | | | | | | | | | | | | | | | | | | | | | | | | | | | | | | | | | | | | | | | | | | | | | | | | | | | | | | | | | | | | | | | | | | | | | | | | | | | | | | | | | | | | | | | | | |
| RR | 66 | RR | SD | AF Amplifier | OC | 70 | AMP | GPA | AF Amplifier | OC | 71 | AMP | GPA | RF Amplifier | OC | 72 | AMP | GMA | AF Amplifier | ZJ | 72 | GE | GNG | VHF Amplifier | OC | 73 | AMP | GPA | AF Amplifier | ZJ | 73 | GE | GNG | AF Amplifier | GT | 74 | GTC | GPA | AF Amplifier | GT | 75 | GTC | GPA | AF Amplifier | OC | 76 | AMP | GPA | Switching | GT | 81 | GTC | GPA | AF Amplifier | GT | 81H | GTC | GPA | AF Amplifier | GT | 81HS | GTC | GPA | AF Amplifier | GT | 82 | GTC | GPA | Switching | GT | 83 | GTC | GPA | Switching | GT | 87 | GTC | GPA | Switching | GT | 88 | GTC | GPA | Switching | DR | 100 | TS | GPA | AF Amplifier | DR | 101 | TS | GPA | AF Amplifier | DR | 102 | TS | GPA | AF Amplifier | GT | 109 | GTC | GPA | AF Amplifier | GT | 122 | GTC | GPA | Switching | GT | 123 | GTC | GPA | Switching | RR | 125 | RR | GPA | AF Amplifier | DR | 126 | TS | GPA | AF Amplifier | DR | 128 | TS | GPA | AF Amplifier | DR | 129 | TS | GPA | General Use | DR | 130 | TS | GPA | General Use | DR | 131 | TS | GPA | General Use | DR | 132 | TS | GPA | General Use | DR | 139 | TS | GPA | General Use | DR | 147 | TS | GPA | AF Power Amp | GT | 153 | GT | GPA | Switching | DR | 154 | TS | GPA | General Use | DR | 155 | TS | GPA | General Use | TS | 161 | TS | GMA | AF Amplifier | TS | 162 | TS | GMA | General Use | TS | 163 | TS | GPA | AF Amplifier | TS | 164 | TS | GPA | AF Amplifier | TS | 165 | TS | GPA | AF Amplifier | TS | 166 | TS | GPA | AF Amplifier | GT | 167 | GTC | GPA | Switching | TS | 176 | TS | GPA | AF Power Amp | 200 | TI | GNG | GPA | General Use | 201 | TI | GNG | GPA | General Use | 202 | TI | GNG | GPA | General Use | 206 | TI | GNG | GPA | AF Amplifier | 207 | TI | GNG | GPA | AF Amplifier | 208 | TI | GNG | GPA | AF Amplifier | GT | 210 | GTC | GPA | Switching | 210 | TI | GNG | GPA | AF Amplifier | 220 | TI | GNG | GPA | AF Amplifier | 221 | TI | GNG | GPA | IF Amplifier | GT | 222 | GTC | GPA | General Use | 222 | TI | GNG | GPA | IF Amplifier | 223 | TI | GNG | GPA | Converter | 224 | TI | GNG | GPA | Detector | 225 | TI | GNG | GPA | IF Amplifier | 227 | TI | GNG | GPA | IF Amplifier | 228 | TI | GNG | GPA | Detector | GT | 229 | GTC | GNA | AF Amplifier | 234 | TI | CNA | IF Amplifier | IF Amplifier | 235 | TI | GNA | GPA | Converter | GT | 269 | GTC | GPA | RF Amplifier | 301 | TI | GPA | AF Amplifier | AF Amplifier | 302 | TI | GPA | AF Amplifier | AF Amplifier | 310 | TI | GPA | AF Amplifier | AF Amplifier | 310 | TI | GPA | AF Amplifier | AF Amplifier | | | | | | | | | | | | | | | | | | | | | | | | | | | | | | | | | | | | | | | | | | | | | | | | | | | | | | | | | | | | | | | | | | | | | | | | | | | | | | | | | | | | | | | | | | | | | | | | | | | | | | | | | | | | | | | | | | | | | | | | | | | | | | | | | | | | | | | | | | | | | | | | | | | | | | | | | | | | | | | | | | | | | | | | | | | | | | | | | | | | | | | | | | | | | | | | | | | | | | | | | | | | | | | | | | | | | | | | | | | | | | | | | | | | | | | | | | | | | | | | | | | | | | | | | | | | | | | | | | | | | | | | | | | | | | | | | | | | | | | | | | | | | | | | | | | | | | | | | | | | | | | | | | | | | | | | | | | | | | | | | | | | | | | | | | | | | | | | | | | | | | | | | | | | | | | | | | | | | | | | | | | | | | | | | | | | | | | | | | | | | | | | | | | | | | | | | | | | | | | | | | | | | | | | | | | | | | | | | | | | | | | | | | | | | | | | | | | | | | | | | | | | | | | | | | | | | | | | | | | | | | | | | | | | | | | | | | | | | | | | | | | | | | | | | | | | | | | | | | | | | | | | | | | | | | | | | | | | | | | | | | | | | | | | | | | | | | | | | | | | | | | | | | | | | | | | | | | | | | | | | | | | | | | | | | | | | | | | | | | | | | | | | | | | | | | | | | | | | | | | | | | | | | | | | | | | | | | | | | | | | | | | | | | | | | | | | | | | | | | | | | | | | | | | | | | | | | | | | | | | | | | | | | | | | | | | | | | | | | | | | | | | | |
| OC | 70 | AMP | GPA | AF Amplifier | OC | 71 | AMP | GPA | RF Amplifier | OC | 72 | AMP | GMA | AF Amplifier | ZJ | 72 | GE | GNG | VHF Amplifier | OC | 73 | AMP | GPA | AF Amplifier | ZJ | 73 | GE | GNG | AF Amplifier | GT | 74 | GTC | GPA | AF Amplifier | GT | 75 | GTC | GPA | AF Amplifier | OC | 76 | AMP | GPA | Switching | GT | 81 | GTC | GPA | AF Amplifier | GT | 81H | GTC | GPA | AF Amplifier | GT | 81HS | GTC | GPA | AF Amplifier | GT | 82 | GTC | GPA | Switching | GT | 83 | GTC | GPA | Switching | GT | 87 | GTC | GPA | Switching | GT | 88 | GTC | GPA | Switching | DR | 100 | TS | GPA | AF Amplifier | DR | 101 | TS | GPA | AF Amplifier | DR | 102 | TS | GPA | AF Amplifier | GT | 109 | GTC | GPA | AF Amplifier | GT | 122 | GTC | GPA | Switching | GT | 123 | GTC | GPA | Switching | RR | 125 | RR | GPA | AF Amplifier | DR | 126 | TS | GPA | AF Amplifier | DR | 128 | TS | GPA | AF Amplifier | DR | 129 | TS | GPA | General Use | DR | 130 | TS | GPA | General Use | DR | 131 | TS | GPA | General Use | DR | 132 | TS | GPA | General Use | DR | 139 | TS | GPA | General Use | DR | 147 | TS | GPA | AF Power Amp | GT | 153 | GT | GPA | Switching | DR | 154 | TS | GPA | General Use | DR | 155 | TS | GPA | General Use | TS | 161 | TS | GMA | AF Amplifier | TS | 162 | TS | GMA | General Use | TS | 163 | TS | GPA | AF Amplifier | TS | 164 | TS | GPA | AF Amplifier | TS | 165 | TS | GPA | AF Amplifier | TS | 166 | TS | GPA | AF Amplifier | GT | 167 | GTC | GPA | Switching | TS | 176 | TS | GPA | AF Power Amp | 200 | TI | GNG | GPA | General Use | 201 | TI | GNG | GPA | General Use | 202 | TI | GNG | GPA | General Use | 206 | TI | GNG | GPA | AF Amplifier | 207 | TI | GNG | GPA | AF Amplifier | 208 | TI | GNG | GPA | AF Amplifier | GT | 210 | GTC | GPA | Switching | 210 | TI | GNG | GPA | AF Amplifier | 220 | TI | GNG | GPA | AF Amplifier | 221 | TI | GNG | GPA | IF Amplifier | GT | 222 | GTC | GPA | General Use | 222 | TI | GNG | GPA | IF Amplifier | 223 | TI | GNG | GPA | Converter | 224 | TI | GNG | GPA | Detector | 225 | TI | GNG | GPA | IF Amplifier | 227 | TI | GNG | GPA | IF Amplifier | 228 | TI | GNG | GPA | Detector | GT | 229 | GTC | GNA | AF Amplifier | 234 | TI | CNA | IF Amplifier | IF Amplifier | 235 | TI | GNA | GPA | Converter | GT | 269 | GTC | GPA | RF Amplifier | 301 | TI | GPA | AF Amplifier | AF Amplifier | 302 | TI | GPA | AF Amplifier | AF Amplifier | 310 | TI | GPA | AF Amplifier | AF Amplifier | 310 | TI | GPA | AF Amplifier | AF Amplifier | | | | | | | | | | | | | | | | | | | | | | | | | | | | | | | | | | | | | | | | | | | | | | | | | | | | | | | | | | | | | | | | | | | | | | | | | | | | | | | | | | | | | | | | | | | | | | | | | | | | | | | | | | | | | | | | | | | | | | | | | | | | | | | | | | | | | | | | | | | | | | | | | | | | | | | | | | | | | | | | | | | | | | | | | | | | | | | | | | | | | | | | | | | | | | | | | | | | | | | | | | | | | | | | | | | | | | | | | | | | | | | | | | | | | | | | | | | | | | | | | | | | | | | | | | | | | | | | | | | | | | | | | | | | | | | | | | | | | | | | | | | | | | | | | | | | | | | | | | | | | | | | | | | | | | | | | | | | | | | | | | | | | | | | | | | | | | | | | | | | | | | | | | | | | | | | | | | | | | | | | | | | | | | | | | | | | | | | | | | | | | | | | | | | | | | | | | | | | | | | | | | | | | | | | | | | | | | | | | | | | | | | | | | | | | | | | | | | | | | | | | | | | | | | | | | | | | | | | | | | | | | | | | | | | | | | | | | | | | | | | | | | | | | | | | | | | | | | | | | | | | | | | | | | | | | | | | | | | | | | | | | | | | | | | | | | | | | | | | | | | | | | | | | | | | | | | | | | | | | | | | | | | | | | | | | | | | | | | | | | | | | | | | | | | | | | | | | | | | | | | | | | | | | | | | | | | | | | | | | | | | | | | | | | | | | | | | | | | | | | | | | | | | | | | | | | | | | | | | | | | | | | | | | | | | | | | | | | | | | | | | | | | | | | | | |
| OC | 71 | AMP | GPA | RF Amplifier | OC | 72 | AMP | GMA | AF Amplifier | ZJ | 72 | GE | GNG | VHF Amplifier | OC | 73 | AMP | GPA | AF Amplifier | ZJ | 73 | GE | GNG | AF Amplifier | GT | 74 | GTC | GPA | AF Amplifier | GT | 75 | GTC | GPA | AF Amplifier | OC | 76 | AMP | GPA | Switching | GT | 81 | GTC | GPA | AF Amplifier | GT | 81H | GTC | GPA | AF Amplifier | GT | 81HS | GTC | GPA | AF Amplifier | GT | 82 | GTC | GPA | Switching | GT | 83 | GTC | GPA | Switching | GT | 87 | GTC | GPA | Switching | GT | 88 | GTC | GPA | Switching | DR | 100 | TS | GPA | AF Amplifier | DR | 101 | TS | GPA | AF Amplifier | DR | 102 | TS | GPA | AF Amplifier | GT | 109 | GTC | GPA | AF Amplifier | GT | 122 | GTC | GPA | Switching | GT | 123 | GTC | GPA | Switching | RR | 125 | RR | GPA | AF Amplifier | DR | 126 | TS | GPA | AF Amplifier | DR | 128 | TS | GPA | AF Amplifier | DR | 129 | TS | GPA | General Use | DR | 130 | TS | GPA | General Use | DR | 131 | TS | GPA | General Use | DR | 132 | TS | GPA | General Use | DR | 139 | TS | GPA | General Use | DR | 147 | TS | GPA | AF Power Amp | GT | 153 | GT | GPA | Switching | DR | 154 | TS | GPA | General Use | DR | 155 | TS | GPA | General Use | TS | 161 | TS | GMA | AF Amplifier | TS | 162 | TS | GMA | General Use | TS | 163 | TS | GPA | AF Amplifier | TS | 164 | TS | GPA | AF Amplifier | TS | 165 | TS | GPA | AF Amplifier | TS | 166 | TS | GPA | AF Amplifier | GT | 167 | GTC | GPA | Switching | TS | 176 | TS | GPA | AF Power Amp | 200 | TI | GNG | GPA | General Use | 201 | TI | GNG | GPA | General Use | 202 | TI | GNG | GPA | General Use | 206 | TI | GNG | GPA | AF Amplifier | 207 | TI | GNG | GPA | AF Amplifier | 208 | TI | GNG | GPA | AF Amplifier | GT | 210 | GTC | GPA | Switching | 210 | TI | GNG | GPA | AF Amplifier | 220 | TI | GNG | GPA | AF Amplifier | 221 | TI | GNG | GPA | IF Amplifier | GT | 222 | GTC | GPA | General Use | 222 | TI | GNG | GPA | IF Amplifier | 223 | TI | GNG | GPA | Converter | 224 | TI | GNG | GPA | Detector | 225 | TI | GNG | GPA | IF Amplifier | 227 | TI | GNG | GPA | IF Amplifier | 228 | TI | GNG | GPA | Detector | GT | 229 | GTC | GNA | AF Amplifier | 234 | TI | CNA | IF Amplifier | IF Amplifier | 235 | TI | GNA | GPA | Converter | GT | 269 | GTC | GPA | RF Amplifier | 301 | TI | GPA | AF Amplifier | AF Amplifier | 302 | TI | GPA | AF Amplifier | AF Amplifier | 310 | TI | GPA | AF Amplifier | AF Amplifier | 310 | TI | GPA | AF Amplifier | AF Amplifier | | | | | | | | | | | | | | | | | | | | | | | | | | | | | | | | | | | | | | | | | | | | | | | | | | | | | | | | | | | | | | | | | | | | | | | | | | | | | | | | | | | | | | | | | | | | | | | | | | | | | | | | | | | | | | | | | | | | | | | | | | | | | | | | | | | | | | | | | | | | | | | | | | | | | | | | | | | | | | | | | | | | | | | | | | | | | | | | | | | | | | | | | | | | | | | | | | | | | | | | | | | | | | | | | | | | | | | | | | | | | | | | | | | | | | | | | | | | | | | | | | | | | | | | | | | | | | | | | | | | | | | | | | | | | | | | | | | | | | | | | | | | | | | | | | | | | | | | | | | | | | | | | | | | | | | | | | | | | | | | | | | | | | | | | | | | | | | | | | | | | | | | | | | | | | | | | | | | | | | | | | | | | | | | | | | | | | | | | | | | | | | | | | | | | | | | | | | | | | | | | | | | | | | | | | | | | | | | | | | | | | | | | | | | | | | | | | | | | | | | | | | | | | | | | | | | | | | | | | | | | | | | | | | | | | | | | | | | | | | | | | | | | | | | | | | | | | | | | | | | | | | | | | | | | | | | | | | | | | | | | | | | | | | | | | | | | | | | | | | | | | | | | | | | | | | | | | | | | | | | | | | | | | | | | | | | | | | | | | | | | | | | | | | | | | | | | | | | | | | | | | | | | | | | | | | | | | | | | | | | | | | | | | | | | | | | | | | | | | | | | | | | | | | | | | | | | | | | | | | | | | | | | | | | | | | | | | | | | | | | | | | | | | | | | | | | | | | |
| OC | 72 | AMP | GMA | AF Amplifier | ZJ | 72 | GE | GNG | VHF Amplifier | OC | 73 | AMP | GPA | AF Amplifier | ZJ | 73 | GE | GNG | AF Amplifier | GT | 74 | GTC | GPA | AF Amplifier | GT | 75 | GTC | GPA | AF Amplifier | OC | 76 | AMP | GPA | Switching | GT | 81 | GTC | GPA | AF Amplifier | GT | 81H | GTC | GPA | AF Amplifier | GT | 81HS | GTC | GPA | AF Amplifier | GT | 82 | GTC | GPA | Switching | GT | 83 | GTC | GPA | Switching | GT | 87 | GTC | GPA | Switching | GT | 88 | GTC | GPA | Switching | DR | 100 | TS | GPA | AF Amplifier | DR | 101 | TS | GPA | AF Amplifier | DR | 102 | TS | GPA | AF Amplifier | GT | 109 | GTC | GPA | AF Amplifier | GT | 122 | GTC | GPA | Switching | GT | 123 | GTC | GPA | Switching | RR | 125 | RR | GPA | AF Amplifier | DR | 126 | TS | GPA | AF Amplifier | DR | 128 | TS | GPA | AF Amplifier | DR | 129 | TS | GPA | General Use | DR | 130 | TS | GPA | General Use | DR | 131 | TS | GPA | General Use | DR | 132 | TS | GPA | General Use | DR | 139 | TS | GPA | General Use | DR | 147 | TS | GPA | AF Power Amp | GT | 153 | GT | GPA | Switching | DR | 154 | TS | GPA | General Use | DR | 155 | TS | GPA | General Use | TS | 161 | TS | GMA | AF Amplifier | TS | 162 | TS | GMA | General Use | TS | 163 | TS | GPA | AF Amplifier | TS | 164 | TS | GPA | AF Amplifier | TS | 165 | TS | GPA | AF Amplifier | TS | 166 | TS | GPA | AF Amplifier | GT | 167 | GTC | GPA | Switching | TS | 176 | TS | GPA | AF Power Amp | 200 | TI | GNG | GPA | General Use | 201 | TI | GNG | GPA | General Use | 202 | TI | GNG | GPA | General Use | 206 | TI | GNG | GPA | AF Amplifier | 207 | TI | GNG | GPA | AF Amplifier | 208 | TI | GNG | GPA | AF Amplifier | GT | 210 | GTC | GPA | Switching | 210 | TI | GNG | GPA | AF Amplifier | 220 | TI | GNG | GPA | AF Amplifier | 221 | TI | GNG | GPA | IF Amplifier | GT | 222 | GTC | GPA | General Use | 222 | TI | GNG | GPA | IF Amplifier | 223 | TI | GNG | GPA | Converter | 224 | TI | GNG | GPA | Detector | 225 | TI | GNG | GPA | IF Amplifier | 227 | TI | GNG | GPA | IF Amplifier | 228 | TI | GNG | GPA | Detector | GT | 229 | GTC | GNA | AF Amplifier | 234 | TI | CNA | IF Amplifier | IF Amplifier | 235 | TI | GNA | GPA | Converter | GT | 269 | GTC | GPA | RF Amplifier | 301 | TI | GPA | AF Amplifier | AF Amplifier | 302 | TI | GPA | AF Amplifier | AF Amplifier | 310 | TI | GPA | AF Amplifier | AF Amplifier | 310 | TI | GPA | AF Amplifier | AF Amplifier | | | | | | | | | | | | | | | | | | | | | | | | | | | | | | | | | | | | | | | | | | | | | | | | | | | | | | | | | | | | | | | | | | | | | | | | | | | | | | | | | | | | | | | | | | | | | | | | | | | | | | | | | | | | | | | | | | | | | | | | | | | | | | | | | | | | | | | | | | | | | | | | | | | | | | | | | | | | | | | | | | | | | | | | | | | | | | | | | | | | | | | | | | | | | | | | | | | | | | | | | | | | | | | | | | | | | | | | | | | | | | | | | | | | | | | | | | | | | | | | | | | | | | | | | | | | | | | | | | | | | | | | | | | | | | | | | | | | | | | | | | | | | | | | | | | | | | | | | | | | | | | | | | | | | | | | | | | | | | | | | | | | | | | | | | | | | | | | | | | | | | | | | | | | | | | | | | | | | | | | | | | | | | | | | | | | | | | | | | | | | | | | | | | | | | | | | | | | | | | | | | | | | | | | | | | | | | | | | | | | | | | | | | | | | | | | | | | | | | | | | | | | | | | | | | | | | | | | | | | | | | | | | | | | | | | | | | | | | | | | | | | | | | | | | | | | | | | | | | | | | | | | | | | | | | | | | | | | | | | | | | | | | | | | | | | | | | | | | | | | | | | | | | | | | | | | | | | | | | | | | | | | | | | | | | | | | | | | | | | | | | | | | | | | | | | | | | | | | | | | | | | | | | | | | | | | | | | | | | | | | | | | | | | | | | | | | | | | | | | | | | | | | | | | | | | | | | | | | | | | | | | | | | | | | | | | | | | | | | | | | | | | | | | | | | | | | | | | | | | | |
| ZJ | 72 | GE | GNG | VHF Amplifier | OC | 73 | AMP | GPA | AF Amplifier | ZJ | 73 | GE | GNG | AF Amplifier | GT | 74 | GTC | GPA | AF Amplifier | GT | 75 | GTC | GPA | AF Amplifier | OC | 76 | AMP | GPA | Switching | GT | 81 | GTC | GPA | AF Amplifier | GT | 81H | GTC | GPA | AF Amplifier | GT | 81HS | GTC | GPA | AF Amplifier | GT | 82 | GTC | GPA | Switching | GT | 83 | GTC | GPA | Switching | GT | 87 | GTC | GPA | Switching | GT | 88 | GTC | GPA | Switching | DR | 100 | TS | GPA | AF Amplifier | DR | 101 | TS | GPA | AF Amplifier | DR | 102 | TS | GPA | AF Amplifier | GT | 109 | GTC | GPA | AF Amplifier | GT | 122 | GTC | GPA | Switching | GT | 123 | GTC | GPA | Switching | RR | 125 | RR | GPA | AF Amplifier | DR | 126 | TS | GPA | AF Amplifier | DR | 128 | TS | GPA | AF Amplifier | DR | 129 | TS | GPA | General Use | DR | 130 | TS | GPA | General Use | DR | 131 | TS | GPA | General Use | DR | 132 | TS | GPA | General Use | DR | 139 | TS | GPA | General Use | DR | 147 | TS | GPA | AF Power Amp | GT | 153 | GT | GPA | Switching | DR | 154 | TS | GPA | General Use | DR | 155 | TS | GPA | General Use | TS | 161 | TS | GMA | AF Amplifier | TS | 162 | TS | GMA | General Use | TS | 163 | TS | GPA | AF Amplifier | TS | 164 | TS | GPA | AF Amplifier | TS | 165 | TS | GPA | AF Amplifier | TS | 166 | TS | GPA | AF Amplifier | GT | 167 | GTC | GPA | Switching | TS | 176 | TS | GPA | AF Power Amp | 200 | TI | GNG | GPA | General Use | 201 | TI | GNG | GPA | General Use | 202 | TI | GNG | GPA | General Use | 206 | TI | GNG | GPA | AF Amplifier | 207 | TI | GNG | GPA | AF Amplifier | 208 | TI | GNG | GPA | AF Amplifier | GT | 210 | GTC | GPA | Switching | 210 | TI | GNG | GPA | AF Amplifier | 220 | TI | GNG | GPA | AF Amplifier | 221 | TI | GNG | GPA | IF Amplifier | GT | 222 | GTC | GPA | General Use | 222 | TI | GNG | GPA | IF Amplifier | 223 | TI | GNG | GPA | Converter | 224 | TI | GNG | GPA | Detector | 225 | TI | GNG | GPA | IF Amplifier | 227 | TI | GNG | GPA | IF Amplifier | 228 | TI | GNG | GPA | Detector | GT | 229 | GTC | GNA | AF Amplifier | 234 | TI | CNA | IF Amplifier | IF Amplifier | 235 | TI | GNA | GPA | Converter | GT | 269 | GTC | GPA | RF Amplifier | 301 | TI | GPA | AF Amplifier | AF Amplifier | 302 | TI | GPA | AF Amplifier | AF Amplifier | 310 | TI | GPA | AF Amplifier | AF Amplifier | 310 | TI | GPA | AF Amplifier | AF Amplifier | | | | | | | | | | | | | | | | | | | | | | | | | | | | | | | | | | | | | | | | | | | | | | | | | | | | | | | | | | | | | | | | | | | | | | | | | | | | | | | | | | | | | | | | | | | | | | | | | | | | | | | | | | | | | | | | | | | | | | | | | | | | | | | | | | | | | | | | | | | | | | | | | | | | | | | | | | | | | | | | | | | | | | | | | | | | | | | | | | | | | | | | | | | | | | | | | | | | | | | | | | | | | | | | | | | | | | | | | | | | | | | | | | | | | | | | | | | | | | | | | | | | | | | | | | | | | | | | | | | | | | | | | | | | | | | | | | | | | | | | | | | | | | | | | | | | | | | | | | | | | | | | | | | | | | | | | | | | | | | | | | | | | | | | | | | | | | | | | | | | | | | | | | | | | | | | | | | | | | | | | | | | | | | | | | | | | | | | | | | | | | | | | | | | | | | | | | | | | | | | | | | | | | | | | | | | | | | | | | | | | | | | | | | | | | | | | | | | | | | | | | | | | | | | | | | | | | | | | | | | | | | | | | | | | | | | | | | | | | | | | | | | | | | | | | | | | | | | | | | | | | | | | | | | | | | | | | | | | | | | | | | | | | | | | | | | | | | | | | | | | | | | | | | | | | | | | | | | | | | | | | | | | | | | | | | | | | | | | | | | | | | | | | | | | | | | | | | | | | | | | | | | | | | | | | | | | | | | | | | | | | | | | | | | | | | | | | | | | | | | | | | | | | | | | | | | | | | | | | | | | | | | | | | | | | | | | | | | | | | | | | | | | | | | | | | | | | | | | | | | | | | | | |
| OC | 73 | AMP | GPA | AF Amplifier | ZJ | 73 | GE | GNG | AF Amplifier | GT | 74 | GTC | GPA | AF Amplifier | GT | 75 | GTC | GPA | AF Amplifier | OC | 76 | AMP | GPA | Switching | GT | 81 | GTC | GPA | AF Amplifier | GT | 81H | GTC | GPA | AF Amplifier | GT | 81HS | GTC | GPA | AF Amplifier | GT | 82 | GTC | GPA | Switching | GT | 83 | GTC | GPA | Switching | GT | 87 | GTC | GPA | Switching | GT | 88 | GTC | GPA | Switching | DR | 100 | TS | GPA | AF Amplifier | DR | 101 | TS | GPA | AF Amplifier | DR | 102 | TS | GPA | AF Amplifier | GT | 109 | GTC | GPA | AF Amplifier | GT | 122 | GTC | GPA | Switching | GT | 123 | GTC | GPA | Switching | RR | 125 | RR | GPA | AF Amplifier | DR | 126 | TS | GPA | AF Amplifier | DR | 128 | TS | GPA | AF Amplifier | DR | 129 | TS | GPA | General Use | DR | 130 | TS | GPA | General Use | DR | 131 | TS | GPA | General Use | DR | 132 | TS | GPA | General Use | DR | 139 | TS | GPA | General Use | DR | 147 | TS | GPA | AF Power Amp | GT | 153 | GT | GPA | Switching | DR | 154 | TS | GPA | General Use | DR | 155 | TS | GPA | General Use | TS | 161 | TS | GMA | AF Amplifier | TS | 162 | TS | GMA | General Use | TS | 163 | TS | GPA | AF Amplifier | TS | 164 | TS | GPA | AF Amplifier | TS | 165 | TS | GPA | AF Amplifier | TS | 166 | TS | GPA | AF Amplifier | GT | 167 | GTC | GPA | Switching | TS | 176 | TS | GPA | AF Power Amp | 200 | TI | GNG | GPA | General Use | 201 | TI | GNG | GPA | General Use | 202 | TI | GNG | GPA | General Use | 206 | TI | GNG | GPA | AF Amplifier | 207 | TI | GNG | GPA | AF Amplifier | 208 | TI | GNG | GPA | AF Amplifier | GT | 210 | GTC | GPA | Switching | 210 | TI | GNG | GPA | AF Amplifier | 220 | TI | GNG | GPA | AF Amplifier | 221 | TI | GNG | GPA | IF Amplifier | GT | 222 | GTC | GPA | General Use | 222 | TI | GNG | GPA | IF Amplifier | 223 | TI | GNG | GPA | Converter | 224 | TI | GNG | GPA | Detector | 225 | TI | GNG | GPA | IF Amplifier | 227 | TI | GNG | GPA | IF Amplifier | 228 | TI | GNG | GPA | Detector | GT | 229 | GTC | GNA | AF Amplifier | 234 | TI | CNA | IF Amplifier | IF Amplifier | 235 | TI | GNA | GPA | Converter | GT | 269 | GTC | GPA | RF Amplifier | 301 | TI | GPA | AF Amplifier | AF Amplifier | 302 | TI | GPA | AF Amplifier | AF Amplifier | 310 | TI | GPA | AF Amplifier | AF Amplifier | 310 | TI | GPA | AF Amplifier | AF Amplifier | | | | | | | | | | | | | | | | | | | | | | | | | | | | | | | | | | | | | | | | | | | | | | | | | | | | | | | | | | | | | | | | | | | | | | | | | | | | | | | | | | | | | | | | | | | | | | | | | | | | | | | | | | | | | | | | | | | | | | | | | | | | | | | | | | | | | | | | | | | | | | | | | | | | | | | | | | | | | | | | | | | | | | | | | | | | | | | | | | | | | | | | | | | | | | | | | | | | | | | | | | | | | | | | | | | | | | | | | | | | | | | | | | | | | | | | | | | | | | | | | | | | | | | | | | | | | | | | | | | | | | | | | | | | | | | | | | | | | | | | | | | | | | | | | | | | | | | | | | | | | | | | | | | | | | | | | | | | | | | | | | | | | | | | | | | | | | | | | | | | | | | | | | | | | | | | | | | | | | | | | | | | | | | | | | | | | | | | | | | | | | | | | | | | | | | | | | | | | | | | | | | | | | | | | | | | | | | | | | | | | | | | | | | | | | | | | | | | | | | | | | | | | | | | | | | | | | | | | | | | | | | | | | | | | | | | | | | | | | | | | | | | | | | | | | | | | | | | | | | | | | | | | | | | | | | | | | | | | | | | | | | | | | | | | | | | | | | | | | | | | | | | | | | | | | | | | | | | | | | | | | | | | | | | | | | | | | | | | | | | | | | | | | | | | | | | | | | | | | | | | | | | | | | | | | | | | | | | | | | | | | | | | | | | | | | | | | | | | | | | | | | | | | | | | | | | | | | | | | | | | | | | | | | | | | | | | | | | | | | | | | | | | | | | | | | | | | | | | | | | | | | | | | | | | | |
| ZJ | 73 | GE | GNG | AF Amplifier | GT | 74 | GTC | GPA | AF Amplifier | GT | 75 | GTC | GPA | AF Amplifier | OC | 76 | AMP | GPA | Switching | GT | 81 | GTC | GPA | AF Amplifier | GT | 81H | GTC | GPA | AF Amplifier | GT | 81HS | GTC | GPA | AF Amplifier | GT | 82 | GTC | GPA | Switching | GT | 83 | GTC | GPA | Switching | GT | 87 | GTC | GPA | Switching | GT | 88 | GTC | GPA | Switching | DR | 100 | TS | GPA | AF Amplifier | DR | 101 | TS | GPA | AF Amplifier | DR | 102 | TS | GPA | AF Amplifier | GT | 109 | GTC | GPA | AF Amplifier | GT | 122 | GTC | GPA | Switching | GT | 123 | GTC | GPA | Switching | RR | 125 | RR | GPA | AF Amplifier | DR | 126 | TS | GPA | AF Amplifier | DR | 128 | TS | GPA | AF Amplifier | DR | 129 | TS | GPA | General Use | DR | 130 | TS | GPA | General Use | DR | 131 | TS | GPA | General Use | DR | 132 | TS | GPA | General Use | DR | 139 | TS | GPA | General Use | DR | 147 | TS | GPA | AF Power Amp | GT | 153 | GT | GPA | Switching | DR | 154 | TS | GPA | General Use | DR | 155 | TS | GPA | General Use | TS | 161 | TS | GMA | AF Amplifier | TS | 162 | TS | GMA | General Use | TS | 163 | TS | GPA | AF Amplifier | TS | 164 | TS | GPA | AF Amplifier | TS | 165 | TS | GPA | AF Amplifier | TS | 166 | TS | GPA | AF Amplifier | GT | 167 | GTC | GPA | Switching | TS | 176 | TS | GPA | AF Power Amp | 200 | TI | GNG | GPA | General Use | 201 | TI | GNG | GPA | General Use | 202 | TI | GNG | GPA | General Use | 206 | TI | GNG | GPA | AF Amplifier | 207 | TI | GNG | GPA | AF Amplifier | 208 | TI | GNG | GPA | AF Amplifier | GT | 210 | GTC | GPA | Switching | 210 | TI | GNG | GPA | AF Amplifier | 220 | TI | GNG | GPA | AF Amplifier | 221 | TI | GNG | GPA | IF Amplifier | GT | 222 | GTC | GPA | General Use | 222 | TI | GNG | GPA | IF Amplifier | 223 | TI | GNG | GPA | Converter | 224 | TI | GNG | GPA | Detector | 225 | TI | GNG | GPA | IF Amplifier | 227 | TI | GNG | GPA | IF Amplifier | 228 | TI | GNG | GPA | Detector | GT | 229 | GTC | GNA | AF Amplifier | 234 | TI | CNA | IF Amplifier | IF Amplifier | 235 | TI | GNA | GPA | Converter | GT | 269 | GTC | GPA | RF Amplifier | 301 | TI | GPA | AF Amplifier | AF Amplifier | 302 | TI | GPA | AF Amplifier | AF Amplifier | 310 | TI | GPA | AF Amplifier | AF Amplifier | 310 | TI | GPA | AF Amplifier | AF Amplifier | | | | | | | | | | | | | | | | | | | | | | | | | | | | | | | | | | | | | | | | | | | | | | | | | | | | | | | | | | | | | | | | | | | | | | | | | | | | | | | | | | | | | | | | | | | | | | | | | | | | | | | | | | | | | | | | | | | | | | | | | | | | | | | | | | | | | | | | | | | | | | | | | | | | | | | | | | | | | | | | | | | | | | | | | | | | | | | | | | | | | | | | | | | | | | | | | | | | | | | | | | | | | | | | | | | | | | | | | | | | | | | | | | | | | | | | | | | | | | | | | | | | | | | | | | | | | | | | | | | | | | | | | | | | | | | | | | | | | | | | | | | | | | | | | | | | | | | | | | | | | | | | | | | | | | | | | | | | | | | | | | | | | | | | | | | | | | | | | | | | | | | | | | | | | | | | | | | | | | | | | | | | | | | | | | | | | | | | | | | | | | | | | | | | | | | | | | | | | | | | | | | | | | | | | | | | | | | | | | | | | | | | | | | | | | | | | | | | | | | | | | | | | | | | | | | | | | | | | | | | | | | | | | | | | | | | | | | | | | | | | | | | | | | | | | | | | | | | | | | | | | | | | | | | | | | | | | | | | | | | | | | | | | | | | | | | | | | | | | | | | | | | | | | | | | | | | | | | | | | | | | | | | | | | | | | | | | | | | | | | | | | | | | | | | | | | | | | | | | | | | | | | | | | | | | | | | | | | | | | | | | | | | | | | | | | | | | | | | | | | | | | | | | | | | | | | | | | | | | | | | | | | | | | | | | | | | | | | | | | | | | | | | | | | | | | | | | | | | | | | | | | | | | | | | | | | | | | |
| GT | 74 | GTC | GPA | AF Amplifier | GT | 75 | GTC | GPA | AF Amplifier | OC | 76 | AMP | GPA | Switching | GT | 81 | GTC | GPA | AF Amplifier | GT | 81H | GTC | GPA | AF Amplifier | GT | 81HS | GTC | GPA | AF Amplifier | GT | 82 | GTC | GPA | Switching | GT | 83 | GTC | GPA | Switching | GT | 87 | GTC | GPA | Switching | GT | 88 | GTC | GPA | Switching | DR | 100 | TS | GPA | AF Amplifier | DR | 101 | TS | GPA | AF Amplifier | DR | 102 | TS | GPA | AF Amplifier | GT | 109 | GTC | GPA | AF Amplifier | GT | 122 | GTC | GPA | Switching | GT | 123 | GTC | GPA | Switching | RR | 125 | RR | GPA | AF Amplifier | DR | 126 | TS | GPA | AF Amplifier | DR | 128 | TS | GPA | AF Amplifier | DR | 129 | TS | GPA | General Use | DR | 130 | TS | GPA | General Use | DR | 131 | TS | GPA | General Use | DR | 132 | TS | GPA | General Use | DR | 139 | TS | GPA | General Use | DR | 147 | TS | GPA | AF Power Amp | GT | 153 | GT | GPA | Switching | DR | 154 | TS | GPA | General Use | DR | 155 | TS | GPA | General Use | TS | 161 | TS | GMA | AF Amplifier | TS | 162 | TS | GMA | General Use | TS | 163 | TS | GPA | AF Amplifier | TS | 164 | TS | GPA | AF Amplifier | TS | 165 | TS | GPA | AF Amplifier | TS | 166 | TS | GPA | AF Amplifier | GT | 167 | GTC | GPA | Switching | TS | 176 | TS | GPA | AF Power Amp | 200 | TI | GNG | GPA | General Use | 201 | TI | GNG | GPA | General Use | 202 | TI | GNG | GPA | General Use | 206 | TI | GNG | GPA | AF Amplifier | 207 | TI | GNG | GPA | AF Amplifier | 208 | TI | GNG | GPA | AF Amplifier | GT | 210 | GTC | GPA | Switching | 210 | TI | GNG | GPA | AF Amplifier | 220 | TI | GNG | GPA | AF Amplifier | 221 | TI | GNG | GPA | IF Amplifier | GT | 222 | GTC | GPA | General Use | 222 | TI | GNG | GPA | IF Amplifier | 223 | TI | GNG | GPA | Converter | 224 | TI | GNG | GPA | Detector | 225 | TI | GNG | GPA | IF Amplifier | 227 | TI | GNG | GPA | IF Amplifier | 228 | TI | GNG | GPA | Detector | GT | 229 | GTC | GNA | AF Amplifier | 234 | TI | CNA | IF Amplifier | IF Amplifier | 235 | TI | GNA | GPA | Converter | GT | 269 | GTC | GPA | RF Amplifier | 301 | TI | GPA | AF Amplifier | AF Amplifier | 302 | TI | GPA | AF Amplifier | AF Amplifier | 310 | TI | GPA | AF Amplifier | AF Amplifier | 310 | TI | GPA | AF Amplifier | AF Amplifier | | | | | | | | | | | | | | | | | | | | | | | | | | | | | | | | | | | | | | | | | | | | | | | | | | | | | | | | | | | | | | | | | | | | | | | | | | | | | | | | | | | | | | | | | | | | | | | | | | | | | | | | | | | | | | | | | | | | | | | | | | | | | | | | | | | | | | | | | | | | | | | | | | | | | | | | | | | | | | | | | | | | | | | | | | | | | | | | | | | | | | | | | | | | | | | | | | | | | | | | | | | | | | | | | | | | | | | | | | | | | | | | | | | | | | | | | | | | | | | | | | | | | | | | | | | | | | | | | | | | | | | | | | | | | | | | | | | | | | | | | | | | | | | | | | | | | | | | | | | | | | | | | | | | | | | | | | | | | | | | | | | | | | | | | | | | | | | | | | | | | | | | | | | | | | | | | | | | | | | | | | | | | | | | | | | | | | | | | | | | | | | | | | | | | | | | | | | | | | | | | | | | | | | | | | | | | | | | | | | | | | | | | | | | | | | | | | | | | | | | | | | | | | | | | | | | | | | | | | | | | | | | | | | | | | | | | | | | | | | | | | | | | | | | | | | | | | | | | | | | | | | | | | | | | | | | | | | | | | | | | | | | | | | | | | | | | | | | | | | | | | | | | | | | | | | | | | | | | | | | | | | | | | | | | | | | | | | | | | | | | | | | | | | | | | | | | | | | | | | | | | | | | | | | | | | | | | | | | | | | | | | | | | | | | | | | | | | | | | | | | | | | | | | | | | | | | | | | | | | | | | | | | | | | | | | | | | | | | | | | | | | | | | | | | | | | | | | | | | | | | | | | | | | | | | | | | | | | | | | | |
| GT | 75 | GTC | GPA | AF Amplifier | OC | 76 | AMP | GPA | Switching | GT | 81 | GTC | GPA | AF Amplifier | GT | 81H | GTC | GPA | AF Amplifier | GT | 81HS | GTC | GPA | AF Amplifier | GT | 82 | GTC | GPA | Switching | GT | 83 | GTC | GPA | Switching | GT | 87 | GTC | GPA | Switching | GT | 88 | GTC | GPA | Switching | DR | 100 | TS | GPA | AF Amplifier | DR | 101 | TS | GPA | AF Amplifier | DR | 102 | TS | GPA | AF Amplifier | GT | 109 | GTC | GPA | AF Amplifier | GT | 122 | GTC | GPA | Switching | GT | 123 | GTC | GPA | Switching | RR | 125 | RR | GPA | AF Amplifier | DR | 126 | TS | GPA | AF Amplifier | DR | 128 | TS | GPA | AF Amplifier | DR | 129 | TS | GPA | General Use | DR | 130 | TS | GPA | General Use | DR | 131 | TS | GPA | General Use | DR | 132 | TS | GPA | General Use | DR | 139 | TS | GPA | General Use | DR | 147 | TS | GPA | AF Power Amp | GT | 153 | GT | GPA | Switching | DR | 154 | TS | GPA | General Use | DR | 155 | TS | GPA | General Use | TS | 161 | TS | GMA | AF Amplifier | TS | 162 | TS | GMA | General Use | TS | 163 | TS | GPA | AF Amplifier | TS | 164 | TS | GPA | AF Amplifier | TS | 165 | TS | GPA | AF Amplifier | TS | 166 | TS | GPA | AF Amplifier | GT | 167 | GTC | GPA | Switching | TS | 176 | TS | GPA | AF Power Amp | 200 | TI | GNG | GPA | General Use | 201 | TI | GNG | GPA | General Use | 202 | TI | GNG | GPA | General Use | 206 | TI | GNG | GPA | AF Amplifier | 207 | TI | GNG | GPA | AF Amplifier | 208 | TI | GNG | GPA | AF Amplifier | GT | 210 | GTC | GPA | Switching | 210 | TI | GNG | GPA | AF Amplifier | 220 | TI | GNG | GPA | AF Amplifier | 221 | TI | GNG | GPA | IF Amplifier | GT | 222 | GTC | GPA | General Use | 222 | TI | GNG | GPA | IF Amplifier | 223 | TI | GNG | GPA | Converter | 224 | TI | GNG | GPA | Detector | 225 | TI | GNG | GPA | IF Amplifier | 227 | TI | GNG | GPA | IF Amplifier | 228 | TI | GNG | GPA | Detector | GT | 229 | GTC | GNA | AF Amplifier | 234 | TI | CNA | IF Amplifier | IF Amplifier | 235 | TI | GNA | GPA | Converter | GT | 269 | GTC | GPA | RF Amplifier | 301 | TI | GPA | AF Amplifier | AF Amplifier | 302 | TI | GPA | AF Amplifier | AF Amplifier | 310 | TI | GPA | AF Amplifier | AF Amplifier | 310 | TI | GPA | AF Amplifier | AF Amplifier | | | | | | | | | | | | | | | | | | | | | | | | | | | | | | | | | | | | | | | | | | | | | | | | | | | | | | | | | | | | | | | | | | | | | | | | | | | | | | | | | | | | | | | | | | | | | | | | | | | | | | | | | | | | | | | | | | | | | | | | | | | | | | | | | | | | | | | | | | | | | | | | | | | | | | | | | | | | | | | | | | | | | | | | | | | | | | | | | | | | | | | | | | | | | | | | | | | | | | | | | | | | | | | | | | | | | | | | | | | | | | | | | | | | | | | | | | | | | | | | | | | | | | | | | | | | | | | | | | | | | | | | | | | | | | | | | | | | | | | | | | | | | | | | | | | | | | | | | | | | | | | | | | | | | | | | | | | | | | | | | | | | | | | | | | | | | | | | | | | | | | | | | | | | | | | | | | | | | | | | | | | | | | | | | | | | | | | | | | | | | | | | | | | | | | | | | | | | | | | | | | | | | | | | | | | | | | | | | | | | | | | | | | | | | | | | | | | | | | | | | | | | | | | | | | | | | | | | | | | | | | | | | | | | | | | | | | | | | | | | | | | | | | | | | | | | | | | | | | | | | | | | | | | | | | | | | | | | | | | | | | | | | | | | | | | | | | | | | | | | | | | | | | | | | | | | | | | | | | | | | | | | | | | | | | | | | | | | | | | | | | | | | | | | | | | | | | | | | | | | | | | | | | | | | | | | | | | | | | | | | | | | | | | | | | | | | | | | | | | | | | | | | | | | | | | | | | | | | | | | | | | | | | | | | | | | | | | | | | | | | | | | | | | | | | | | | | | | | | | | | | | | | | | | | | | | | | | | | | | | | | | | | |
| OC | 76 | AMP | GPA | Switching | GT | 81 | GTC | GPA | AF Amplifier | GT | 81H | GTC | GPA | AF Amplifier | GT | 81HS | GTC | GPA | AF Amplifier | GT | 82 | GTC | GPA | Switching | GT | 83 | GTC | GPA | Switching | GT | 87 | GTC | GPA | Switching | GT | 88 | GTC | GPA | Switching | DR | 100 | TS | GPA | AF Amplifier | DR | 101 | TS | GPA | AF Amplifier | DR | 102 | TS | GPA | AF Amplifier | GT | 109 | GTC | GPA | AF Amplifier | GT | 122 | GTC | GPA | Switching | GT | 123 | GTC | GPA | Switching | RR | 125 | RR | GPA | AF Amplifier | DR | 126 | TS | GPA | AF Amplifier | DR | 128 | TS | GPA | AF Amplifier | DR | 129 | TS | GPA | General Use | DR | 130 | TS | GPA | General Use | DR | 131 | TS | GPA | General Use | DR | 132 | TS | GPA | General Use | DR | 139 | TS | GPA | General Use | DR | 147 | TS | GPA | AF Power Amp | GT | 153 | GT | GPA | Switching | DR | 154 | TS | GPA | General Use | DR | 155 | TS | GPA | General Use | TS | 161 | TS | GMA | AF Amplifier | TS | 162 | TS | GMA | General Use | TS | 163 | TS | GPA | AF Amplifier | TS | 164 | TS | GPA | AF Amplifier | TS | 165 | TS | GPA | AF Amplifier | TS | 166 | TS | GPA | AF Amplifier | GT | 167 | GTC | GPA | Switching | TS | 176 | TS | GPA | AF Power Amp | 200 | TI | GNG | GPA | General Use | 201 | TI | GNG | GPA | General Use | 202 | TI | GNG | GPA | General Use | 206 | TI | GNG | GPA | AF Amplifier | 207 | TI | GNG | GPA | AF Amplifier | 208 | TI | GNG | GPA | AF Amplifier | GT | 210 | GTC | GPA | Switching | 210 | TI | GNG | GPA | AF Amplifier | 220 | TI | GNG | GPA | AF Amplifier | 221 | TI | GNG | GPA | IF Amplifier | GT | 222 | GTC | GPA | General Use | 222 | TI | GNG | GPA | IF Amplifier | 223 | TI | GNG | GPA | Converter | 224 | TI | GNG | GPA | Detector | 225 | TI | GNG | GPA | IF Amplifier | 227 | TI | GNG | GPA | IF Amplifier | 228 | TI | GNG | GPA | Detector | GT | 229 | GTC | GNA | AF Amplifier | 234 | TI | CNA | IF Amplifier | IF Amplifier | 235 | TI | GNA | GPA | Converter | GT | 269 | GTC | GPA | RF Amplifier | 301 | TI | GPA | AF Amplifier | AF Amplifier | 302 | TI | GPA | AF Amplifier | AF Amplifier | 310 | TI | GPA | AF Amplifier | AF Amplifier | 310 | TI | GPA | AF Amplifier | AF Amplifier | | | | | | | | | | | | | | | | | | | | | | | | | | | | | | | | | | | | | | | | | | | | | | | | | | | | | | | | | | | | | | | | | | | | | | | | | | | | | | | | | | | | | | | | | | | | | | | | | | | | | | | | | | | | | | | | | | | | | | | | | | | | | | | | | | | | | | | | | | | | | | | | | | | | | | | | | | | | | | | | | | | | | | | | | | | | | | | | | | | | | | | | | | | | | | | | | | | | | | | | | | | | | | | | | | | | | | | | | | | | | | | | | | | | | | | | | | | | | | | | | | | | | | | | | | | | | | | | | | | | | | | | | | | | | | | | | | | | | | | | | | | | | | | | | | | | | | | | | | | | | | | | | | | | | | | | | | | | | | | | | | | | | | | | | | | | | | | | | | | | | | | | | | | | | | | | | | | | | | | | | | | | | | | | | | | | | | | | | | | | | | | | | | | | | | | | | | | | | | | | | | | | | | | | | | | | | | | | | | | | | | | | | | | | | | | | | | | | | | | | | | | | | | | | | | | | | | | | | | | | | | | | | | | | | | | | | | | | | | | | | | | | | | | | | | | | | | | | | | | | | | | | | | | | | | | | | | | | | | | | | | | | | | | | | | | | | | | | | | | | | | | | | | | | | | | | | | | | | | | | | | | | | | | | | | | | | | | | | | | | | | | | | | | | | | | | | | | | | | | | | | | | | | | | | | | | | | | | | | | | | | | | | | | | | | | | | | | | | | | | | | | | | | | | | | | | | | | | | | | | | | | | | | | | | | | | | | | | | | | | | | | | | | | | | | | | | | | | | | | | | | | | | | | | | | | | | | | | | | | | | | | | | | | | | | |
| GT | 81 | GTC | GPA | AF Amplifier | GT | 81H | GTC | GPA | AF Amplifier | GT | 81HS | GTC | GPA | AF Amplifier | GT | 82 | GTC | GPA | Switching | GT | 83 | GTC | GPA | Switching | GT | 87 | GTC | GPA | Switching | GT | 88 | GTC | GPA | Switching | DR | 100 | TS | GPA | AF Amplifier | DR | 101 | TS | GPA | AF Amplifier | DR | 102 | TS | GPA | AF Amplifier | GT | 109 | GTC | GPA | AF Amplifier | GT | 122 | GTC | GPA | Switching | GT | 123 | GTC | GPA | Switching | RR | 125 | RR | GPA | AF Amplifier | DR | 126 | TS | GPA | AF Amplifier | DR | 128 | TS | GPA | AF Amplifier | DR | 129 | TS | GPA | General Use | DR | 130 | TS | GPA | General Use | DR | 131 | TS | GPA | General Use | DR | 132 | TS | GPA | General Use | DR | 139 | TS | GPA | General Use | DR | 147 | TS | GPA | AF Power Amp | GT | 153 | GT | GPA | Switching | DR | 154 | TS | GPA | General Use | DR | 155 | TS | GPA | General Use | TS | 161 | TS | GMA | AF Amplifier | TS | 162 | TS | GMA | General Use | TS | 163 | TS | GPA | AF Amplifier | TS | 164 | TS | GPA | AF Amplifier | TS | 165 | TS | GPA | AF Amplifier | TS | 166 | TS | GPA | AF Amplifier | GT | 167 | GTC | GPA | Switching | TS | 176 | TS | GPA | AF Power Amp | 200 | TI | GNG | GPA | General Use | 201 | TI | GNG | GPA | General Use | 202 | TI | GNG | GPA | General Use | 206 | TI | GNG | GPA | AF Amplifier | 207 | TI | GNG | GPA | AF Amplifier | 208 | TI | GNG | GPA | AF Amplifier | GT | 210 | GTC | GPA | Switching | 210 | TI | GNG | GPA | AF Amplifier | 220 | TI | GNG | GPA | AF Amplifier | 221 | TI | GNG | GPA | IF Amplifier | GT | 222 | GTC | GPA | General Use | 222 | TI | GNG | GPA | IF Amplifier | 223 | TI | GNG | GPA | Converter | 224 | TI | GNG | GPA | Detector | 225 | TI | GNG | GPA | IF Amplifier | 227 | TI | GNG | GPA | IF Amplifier | 228 | TI | GNG | GPA | Detector | GT | 229 | GTC | GNA | AF Amplifier | 234 | TI | CNA | IF Amplifier | IF Amplifier | 235 | TI | GNA | GPA | Converter | GT | 269 | GTC | GPA | RF Amplifier | 301 | TI | GPA | AF Amplifier | AF Amplifier | 302 | TI | GPA | AF Amplifier | AF Amplifier | 310 | TI | GPA | AF Amplifier | AF Amplifier | 310 | TI | GPA | AF Amplifier | AF Amplifier | | | | | | | | | | | | | | | | | | | | | | | | | | | | | | | | | | | | | | | | | | | | | | | | | | | | | | | | | | | | | | | | | | | | | | | | | | | | | | | | | | | | | | | | | | | | | | | | | | | | | | | | | | | | | | | | | | | | | | | | | | | | | | | | | | | | | | | | | | | | | | | | | | | | | | | | | | | | | | | | | | | | | | | | | | | | | | | | | | | | | | | | | | | | | | | | | | | | | | | | | | | | | | | | | | | | | | | | | | | | | | | | | | | | | | | | | | | | | | | | | | | | | | | | | | | | | | | | | | | | | | | | | | | | | | | | | | | | | | | | | | | | | | | | | | | | | | | | | | | | | | | | | | | | | | | | | | | | | | | | | | | | | | | | | | | | | | | | | | | | | | | | | | | | | | | | | | | | | | | | | | | | | | | | | | | | | | | | | | | | | | | | | | | | | | | | | | | | | | | | | | | | | | | | | | | | | | | | | | | | | | | | | | | | | | | | | | | | | | | | | | | | | | | | | | | | | | | | | | | | | | | | | | | | | | | | | | | | | | | | | | | | | | | | | | | | | | | | | | | | | | | | | | | | | | | | | | | | | | | | | | | | | | | | | | | | | | | | | | | | | | | | | | | | | | | | | | | | | | | | | | | | | | | | | | | | | | | | | | | | | | | | | | | | | | | | | | | | | | | | | | | | | | | | | | | | | | | | | | | | | | | | | | | | | | | | | | | | | | | | | | | | | | | | | | | | | | | | | | | | | | | | | | | | | | | | | | | | | | | | | | | | | | | | | | | | | | | | | | | | | | | | | | | | | | | | | | | | | | | | | | | | | | | | | | | | | | | |
| GT | 81H | GTC | GPA | AF Amplifier | GT | 81HS | GTC | GPA | AF Amplifier | GT | 82 | GTC | GPA | Switching | GT | 83 | GTC | GPA | Switching | GT | 87 | GTC | GPA | Switching | GT | 88 | GTC | GPA | Switching | DR | 100 | TS | GPA | AF Amplifier | DR | 101 | TS | GPA | AF Amplifier | DR | 102 | TS | GPA | AF Amplifier | GT | 109 | GTC | GPA | AF Amplifier | GT | 122 | GTC | GPA | Switching | GT | 123 | GTC | GPA | Switching | RR | 125 | RR | GPA | AF Amplifier | DR | 126 | TS | GPA | AF Amplifier | DR | 128 | TS | GPA | AF Amplifier | DR | 129 | TS | GPA | General Use | DR | 130 | TS | GPA | General Use | DR | 131 | TS | GPA | General Use | DR | 132 | TS | GPA | General Use | DR | 139 | TS | GPA | General Use | DR | 147 | TS | GPA | AF Power Amp | GT | 153 | GT | GPA | Switching | DR | 154 | TS | GPA | General Use | DR | 155 | TS | GPA | General Use | TS | 161 | TS | GMA | AF Amplifier | TS | 162 | TS | GMA | General Use | TS | 163 | TS | GPA | AF Amplifier | TS | 164 | TS | GPA | AF Amplifier | TS | 165 | TS | GPA | AF Amplifier | TS | 166 | TS | GPA | AF Amplifier | GT | 167 | GTC | GPA | Switching | TS | 176 | TS | GPA | AF Power Amp | 200 | TI | GNG | GPA | General Use | 201 | TI | GNG | GPA | General Use | 202 | TI | GNG | GPA | General Use | 206 | TI | GNG | GPA | AF Amplifier | 207 | TI | GNG | GPA | AF Amplifier | 208 | TI | GNG | GPA | AF Amplifier | GT | 210 | GTC | GPA | Switching | 210 | TI | GNG | GPA | AF Amplifier | 220 | TI | GNG | GPA | AF Amplifier | 221 | TI | GNG | GPA | IF Amplifier | GT | 222 | GTC | GPA | General Use | 222 | TI | GNG | GPA | IF Amplifier | 223 | TI | GNG | GPA | Converter | 224 | TI | GNG | GPA | Detector | 225 | TI | GNG | GPA | IF Amplifier | 227 | TI | GNG | GPA | IF Amplifier | 228 | TI | GNG | GPA | Detector | GT | 229 | GTC | GNA | AF Amplifier | 234 | TI | CNA | IF Amplifier | IF Amplifier | 235 | TI | GNA | GPA | Converter | GT | 269 | GTC | GPA | RF Amplifier | 301 | TI | GPA | AF Amplifier | AF Amplifier | 302 | TI | GPA | AF Amplifier | AF Amplifier | 310 | TI | GPA | AF Amplifier | AF Amplifier | 310 | TI | GPA | AF Amplifier | AF Amplifier | | | | | | | | | | | | | | | | | | | | | | | | | | | | | | | | | | | | | | | | | | | | | | | | | | | | | | | | | | | | | | | | | | | | | | | | | | | | | | | | | | | | | | | | | | | | | | | | | | | | | | | | | | | | | | | | | | | | | | | | | | | | | | | | | | | | | | | | | | | | | | | | | | | | | | | | | | | | | | | | | | | | | | | | | | | | | | | | | | | | | | | | | | | | | | | | | | | | | | | | | | | | | | | | | | | | | | | | | | | | | | | | | | | | | | | | | | | | | | | | | | | | | | | | | | | | | | | | | | | | | | | | | | | | | | | | | | | | | | | | | | | | | | | | | | | | | | | | | | | | | | | | | | | | | | | | | | | | | | | | | | | | | | | | | | | | | | | | | | | | | | | | | | | | | | | | | | | | | | | | | | | | | | | | | | | | | | | | | | | | | | | | | | | | | | | | | | | | | | | | | | | | | | | | | | | | | | | | | | | | | | | | | | | | | | | | | | | | | | | | | | | | | | | | | | | | | | | | | | | | | | | | | | | | | | | | | | | | | | | | | | | | | | | | | | | | | | | | | | | | | | | | | | | | | | | | | | | | | | | | | | | | | | | | | | | | | | | | | | | | | | | | | | | | | | | | | | | | | | | | | | | | | | | | | | | | | | | | | | | | | | | | | | | | | | | | | | | | | | | | | | | | | | | | | | | | | | | | | | | | | | | | | | | | | | | | | | | | | | | | | | | | | | | | | | | | | | | | | | | | | | | | | | | | | | | | | | | | | | | | | | | | | | | | | | | | | | | | | | | | | | | | | | | | | | | | | | | | | | | | | | | | | | | | | | | | | | | | | | | | |
| GT | 81HS | GTC | GPA | AF Amplifier | GT | 82 | GTC | GPA | Switching | GT | 83 | GTC | GPA | Switching | GT | 87 | GTC | GPA | Switching | GT | 88 | GTC | GPA | Switching | DR | 100 | TS | GPA | AF Amplifier | DR | 101 | TS | GPA | AF Amplifier | DR | 102 | TS | GPA | AF Amplifier | GT | 109 | GTC | GPA | AF Amplifier | GT | 122 | GTC | GPA | Switching | GT | 123 | GTC | GPA | Switching | RR | 125 | RR | GPA | AF Amplifier | DR | 126 | TS | GPA | AF Amplifier | DR | 128 | TS | GPA | AF Amplifier | DR | 129 | TS | GPA | General Use | DR | 130 | TS | GPA | General Use | DR | 131 | TS | GPA | General Use | DR | 132 | TS | GPA | General Use | DR | 139 | TS | GPA | General Use | DR | 147 | TS | GPA | AF Power Amp | GT | 153 | GT | GPA | Switching | DR | 154 | TS | GPA | General Use | DR | 155 | TS | GPA | General Use | TS | 161 | TS | GMA | AF Amplifier | TS | 162 | TS | GMA | General Use | TS | 163 | TS | GPA | AF Amplifier | TS | 164 | TS | GPA | AF Amplifier | TS | 165 | TS | GPA | AF Amplifier | TS | 166 | TS | GPA | AF Amplifier | GT | 167 | GTC | GPA | Switching | TS | 176 | TS | GPA | AF Power Amp | 200 | TI | GNG | GPA | General Use | 201 | TI | GNG | GPA | General Use | 202 | TI | GNG | GPA | General Use | 206 | TI | GNG | GPA | AF Amplifier | 207 | TI | GNG | GPA | AF Amplifier | 208 | TI | GNG | GPA | AF Amplifier | GT | 210 | GTC | GPA | Switching | 210 | TI | GNG | GPA | AF Amplifier | 220 | TI | GNG | GPA | AF Amplifier | 221 | TI | GNG | GPA | IF Amplifier | GT | 222 | GTC | GPA | General Use | 222 | TI | GNG | GPA | IF Amplifier | 223 | TI | GNG | GPA | Converter | 224 | TI | GNG | GPA | Detector | 225 | TI | GNG | GPA | IF Amplifier | 227 | TI | GNG | GPA | IF Amplifier | 228 | TI | GNG | GPA | Detector | GT | 229 | GTC | GNA | AF Amplifier | 234 | TI | CNA | IF Amplifier | IF Amplifier | 235 | TI | GNA | GPA | Converter | GT | 269 | GTC | GPA | RF Amplifier | 301 | TI | GPA | AF Amplifier | AF Amplifier | 302 | TI | GPA | AF Amplifier | AF Amplifier | 310 | TI | GPA | AF Amplifier | AF Amplifier | 310 | TI | GPA | AF Amplifier | AF Amplifier | | | | | | | | | | | | | | | | | | | | | | | | | | | | | | | | | | | | | | | | | | | | | | | | | | | | | | | | | | | | | | | | | | | | | | | | | | | | | | | | | | | | | | | | | | | | | | | | | | | | | | | | | | | | | | | | | | | | | | | | | | | | | | | | | | | | | | | | | | | | | | | | | | | | | | | | | | | | | | | | | | | | | | | | | | | | | | | | | | | | | | | | | | | | | | | | | | | | | | | | | | | | | | | | | | | | | | | | | | | | | | | | | | | | | | | | | | | | | | | | | | | | | | | | | | | | | | | | | | | | | | | | | | | | | | | | | | | | | | | | | | | | | | | | | | | | | | | | | | | | | | | | | | | | | | | | | | | | | | | | | | | | | | | | | | | | | | | | | | | | | | | | | | | | | | | | | | | | | | | | | | | | | | | | | | | | | | | | | | | | | | | | | | | | | | | | | | | | | | | | | | | | | | | | | | | | | | | | | | | | | | | | | | | | | | | | | | | | | | | | | | | | | | | | | | | | | | | | | | | | | | | | | | | | | | | | | | | | | | | | | | | | | | | | | | | | | | | | | | | | | | | | | | | | | | | | | | | | | | | | | | | | | | | | | | | | | | | | | | | | | | | | | | | | | | | | | | | | | | | | | | | | | | | | | | | | | | | | | | | | | | | | | | | | | | | | | | | | | | | | | | | | | | | | | | | | | | | | | | | | | | | | | | | | | | | | | | | | | | | | | | | | | | | | | | | | | | | | | | | | | | | | | | | | | | | | | | | | | | | | | | | | | | | | | | | | | | | | | | | | | | | | | | | | | | | | | | | | | | | | | | | | | | | | | | | | | | | | | | | | | | | | | |
| GT | 82 | GTC | GPA | Switching | GT | 83 | GTC | GPA | Switching | GT | 87 | GTC | GPA | Switching | GT | 88 | GTC | GPA | Switching | DR | 100 | TS | GPA | AF Amplifier | DR | 101 | TS | GPA | AF Amplifier | DR | 102 | TS | GPA | AF Amplifier | GT | 109 | GTC | GPA | AF Amplifier | GT | 122 | GTC | GPA | Switching | GT | 123 | GTC | GPA | Switching | RR | 125 | RR | GPA | AF Amplifier | DR | 126 | TS | GPA | AF Amplifier | DR | 128 | TS | GPA | AF Amplifier | DR | 129 | TS | GPA | General Use | DR | 130 | TS | GPA | General Use | DR | 131 | TS | GPA | General Use | DR | 132 | TS | GPA | General Use | DR | 139 | TS | GPA | General Use | DR | 147 | TS | GPA | AF Power Amp | GT | 153 | GT | GPA | Switching | DR | 154 | TS | GPA | General Use | DR | 155 | TS | GPA | General Use | TS | 161 | TS | GMA | AF Amplifier | TS | 162 | TS | GMA | General Use | TS | 163 | TS | GPA | AF Amplifier | TS | 164 | TS | GPA | AF Amplifier | TS | 165 | TS | GPA | AF Amplifier | TS | 166 | TS | GPA | AF Amplifier | GT | 167 | GTC | GPA | Switching | TS | 176 | TS | GPA | AF Power Amp | 200 | TI | GNG | GPA | General Use | 201 | TI | GNG | GPA | General Use | 202 | TI | GNG | GPA | General Use | 206 | TI | GNG | GPA | AF Amplifier | 207 | TI | GNG | GPA | AF Amplifier | 208 | TI | GNG | GPA | AF Amplifier | GT | 210 | GTC | GPA | Switching | 210 | TI | GNG | GPA | AF Amplifier | 220 | TI | GNG | GPA | AF Amplifier | 221 | TI | GNG | GPA | IF Amplifier | GT | 222 | GTC | GPA | General Use | 222 | TI | GNG | GPA | IF Amplifier | 223 | TI | GNG | GPA | Converter | 224 | TI | GNG | GPA | Detector | 225 | TI | GNG | GPA | IF Amplifier | 227 | TI | GNG | GPA | IF Amplifier | 228 | TI | GNG | GPA | Detector | GT | 229 | GTC | GNA | AF Amplifier | 234 | TI | CNA | IF Amplifier | IF Amplifier | 235 | TI | GNA | GPA | Converter | GT | 269 | GTC | GPA | RF Amplifier | 301 | TI | GPA | AF Amplifier | AF Amplifier | 302 | TI | GPA | AF Amplifier | AF Amplifier | 310 | TI | GPA | AF Amplifier | AF Amplifier | 310 | TI | GPA | AF Amplifier | AF Amplifier | | | | | | | | | | | | | | | | | | | | | | | | | | | | | | | | | | | | | | | | | | | | | | | | | | | | | | | | | | | | | | | | | | | | | | | | | | | | | | | | | | | | | | | | | | | | | | | | | | | | | | | | | | | | | | | | | | | | | | | | | | | | | | | | | | | | | | | | | | | | | | | | | | | | | | | | | | | | | | | | | | | | | | | | | | | | | | | | | | | | | | | | | | | | | | | | | | | | | | | | | | | | | | | | | | | | | | | | | | | | | | | | | | | | | | | | | | | | | | | | | | | | | | | | | | | | | | | | | | | | | | | | | | | | | | | | | | | | | | | | | | | | | | | | | | | | | | | | | | | | | | | | | | | | | | | | | | | | | | | | | | | | | | | | | | | | | | | | | | | | | | | | | | | | | | | | | | | | | | | | | | | | | | | | | | | | | | | | | | | | | | | | | | | | | | | | | | | | | | | | | | | | | | | | | | | | | | | | | | | | | | | | | | | | | | | | | | | | | | | | | | | | | | | | | | | | | | | | | | | | | | | | | | | | | | | | | | | | | | | | | | | | | | | | | | | | | | | | | | | | | | | | | | | | | | | | | | | | | | | | | | | | | | | | | | | | | | | | | | | | | | | | | | | | | | | | | | | | | | | | | | | | | | | | | | | | | | | | | | | | | | | | | | | | | | | | | | | | | | | | | | | | | | | | | | | | | | | | | | | | | | | | | | | | | | | | | | | | | | | | | | | | | | | | | | | | | | | | | | | | | | | | | | | | | | | | | | | | | | | | | | | | | | | | | | | | | | | | | | | | | | | | | | | | | | | | | | | | | | | | | | | | | | | | | | | | | | | | | | | | | | | | | | | | | | |
| GT | 83 | GTC | GPA | Switching | GT | 87 | GTC | GPA | Switching | GT | 88 | GTC | GPA | Switching | DR | 100 | TS | GPA | AF Amplifier | DR | 101 | TS | GPA | AF Amplifier | DR | 102 | TS | GPA | AF Amplifier | GT | 109 | GTC | GPA | AF Amplifier | GT | 122 | GTC | GPA | Switching | GT | 123 | GTC | GPA | Switching | RR | 125 | RR | GPA | AF Amplifier | DR | 126 | TS | GPA | AF Amplifier | DR | 128 | TS | GPA | AF Amplifier | DR | 129 | TS | GPA | General Use | DR | 130 | TS | GPA | General Use | DR | 131 | TS | GPA | General Use | DR | 132 | TS | GPA | General Use | DR | 139 | TS | GPA | General Use | DR | 147 | TS | GPA | AF Power Amp | GT | 153 | GT | GPA | Switching | DR | 154 | TS | GPA | General Use | DR | 155 | TS | GPA | General Use | TS | 161 | TS | GMA | AF Amplifier | TS | 162 | TS | GMA | General Use | TS | 163 | TS | GPA | AF Amplifier | TS | 164 | TS | GPA | AF Amplifier | TS | 165 | TS | GPA | AF Amplifier | TS | 166 | TS | GPA | AF Amplifier | GT | 167 | GTC | GPA | Switching | TS | 176 | TS | GPA | AF Power Amp | 200 | TI | GNG | GPA | General Use | 201 | TI | GNG | GPA | General Use | 202 | TI | GNG | GPA | General Use | 206 | TI | GNG | GPA | AF Amplifier | 207 | TI | GNG | GPA | AF Amplifier | 208 | TI | GNG | GPA | AF Amplifier | GT | 210 | GTC | GPA | Switching | 210 | TI | GNG | GPA | AF Amplifier | 220 | TI | GNG | GPA | AF Amplifier | 221 | TI | GNG | GPA | IF Amplifier | GT | 222 | GTC | GPA | General Use | 222 | TI | GNG | GPA | IF Amplifier | 223 | TI | GNG | GPA | Converter | 224 | TI | GNG | GPA | Detector | 225 | TI | GNG | GPA | IF Amplifier | 227 | TI | GNG | GPA | IF Amplifier | 228 | TI | GNG | GPA | Detector | GT | 229 | GTC | GNA | AF Amplifier | 234 | TI | CNA | IF Amplifier | IF Amplifier | 235 | TI | GNA | GPA | Converter | GT | 269 | GTC | GPA | RF Amplifier | 301 | TI | GPA | AF Amplifier | AF Amplifier | 302 | TI | GPA | AF Amplifier | AF Amplifier | 310 | TI | GPA | AF Amplifier | AF Amplifier | 310 | TI | GPA | AF Amplifier | AF Amplifier | | | | | | | | | | | | | | | | | | | | | | | | | | | | | | | | | | | | | | | | | | | | | | | | | | | | | | | | | | | | | | | | | | | | | | | | | | | | | | | | | | | | | | | | | | | | | | | | | | | | | | | | | | | | | | | | | | | | | | | | | | | | | | | | | | | | | | | | | | | | | | | | | | | | | | | | | | | | | | | | | | | | | | | | | | | | | | | | | | | | | | | | | | | | | | | | | | | | | | | | | | | | | | | | | | | | | | | | | | | | | | | | | | | | | | | | | | | | | | | | | | | | | | | | | | | | | | | | | | | | | | | | | | | | | | | | | | | | | | | | | | | | | | | | | | | | | | | | | | | | | | | | | | | | | | | | | | | | | | | | | | | | | | | | | | | | | | | | | | | | | | | | | | | | | | | | | | | | | | | | | | | | | | | | | | | | | | | | | | | | | | | | | | | | | | | | | | | | | | | | | | | | | | | | | | | | | | | | | | | | | | | | | | | | | | | | | | | | | | | | | | | | | | | | | | | | | | | | | | | | | | | | | | | | | | | | | | | | | | | | | | | | | | | | | | | | | | | | | | | | | | | | | | | | | | | | | | | | | | | | | | | | | | | | | | | | | | | | | | | | | | | | | | | | | | | | | | | | | | | | | | | | | | | | | | | | | | | | | | | | | | | | | | | | | | | | | | | | | | | | | | | | | | | | | | | | | | | | | | | | | | | | | | | | | | | | | | | | | | | | | | | | | | | | | | | | | | | | | | | | | | | | | | | | | | | | | | | | | | | | | | | | | | | | | | | | | | | | | | | | | | | | | | | | | | | | | | | | | | | | | | | | | | | | | | | | | | | | | | | | | | | | | | | | | | | | | | | |
| GT | 87 | GTC | GPA | Switching | GT | 88 | GTC | GPA | Switching | DR | 100 | TS | GPA | AF Amplifier | DR | 101 | TS | GPA | AF Amplifier | DR | 102 | TS | GPA | AF Amplifier | GT | 109 | GTC | GPA | AF Amplifier | GT | 122 | GTC | GPA | Switching | GT | 123 | GTC | GPA | Switching | RR | 125 | RR | GPA | AF Amplifier | DR | 126 | TS | GPA | AF Amplifier | DR | 128 | TS | GPA | AF Amplifier | DR | 129 | TS | GPA | General Use | DR | 130 | TS | GPA | General Use | DR | 131 | TS | GPA | General Use | DR | 132 | TS | GPA | General Use | DR | 139 | TS | GPA | General Use | DR | 147 | TS | GPA | AF Power Amp | GT | 153 | GT | GPA | Switching | DR | 154 | TS | GPA | General Use | DR | 155 | TS | GPA | General Use | TS | 161 | TS | GMA | AF Amplifier | TS | 162 | TS | GMA | General Use | TS | 163 | TS | GPA | AF Amplifier | TS | 164 | TS | GPA | AF Amplifier | TS | 165 | TS | GPA | AF Amplifier | TS | 166 | TS | GPA | AF Amplifier | GT | 167 | GTC | GPA | Switching | TS | 176 | TS | GPA | AF Power Amp | 200 | TI | GNG | GPA | General Use | 201 | TI | GNG | GPA | General Use | 202 | TI | GNG | GPA | General Use | 206 | TI | GNG | GPA | AF Amplifier | 207 | TI | GNG | GPA | AF Amplifier | 208 | TI | GNG | GPA | AF Amplifier | GT | 210 | GTC | GPA | Switching | 210 | TI | GNG | GPA | AF Amplifier | 220 | TI | GNG | GPA | AF Amplifier | 221 | TI | GNG | GPA | IF Amplifier | GT | 222 | GTC | GPA | General Use | 222 | TI | GNG | GPA | IF Amplifier | 223 | TI | GNG | GPA | Converter | 224 | TI | GNG | GPA | Detector | 225 | TI | GNG | GPA | IF Amplifier | 227 | TI | GNG | GPA | IF Amplifier | 228 | TI | GNG | GPA | Detector | GT | 229 | GTC | GNA | AF Amplifier | 234 | TI | CNA | IF Amplifier | IF Amplifier | 235 | TI | GNA | GPA | Converter | GT | 269 | GTC | GPA | RF Amplifier | 301 | TI | GPA | AF Amplifier | AF Amplifier | 302 | TI | GPA | AF Amplifier | AF Amplifier | 310 | TI | GPA | AF Amplifier | AF Amplifier | 310 | TI | GPA | AF Amplifier | AF Amplifier | | | | | | | | | | | | | | | | | | | | | | | | | | | | | | | | | | | | | | | | | | | | | | | | | | | | | | | | | | | | | | | | | | | | | | | | | | | | | | | | | | | | | | | | | | | | | | | | | | | | | | | | | | | | | | | | | | | | | | | | | | | | | | | | | | | | | | | | | | | | | | | | | | | | | | | | | | | | | | | | | | | | | | | | | | | | | | | | | | | | | | | | | | | | | | | | | | | | | | | | | | | | | | | | | | | | | | | | | | | | | | | | | | | | | | | | | | | | | | | | | | | | | | | | | | | | | | | | | | | | | | | | | | | | | | | | | | | | | | | | | | | | | | | | | | | | | | | | | | | | | | | | | | | | | | | | | | | | | | | | | | | | | | | | | | | | | | | | | | | | | | | | | | | | | | | | | | | | | | | | | | | | | | | | | | | | | | | | | | | | | | | | | | | | | | | | | | | | | | | | | | | | | | | | | | | | | | | | | | | | | | | | | | | | | | | | | | | | | | | | | | | | | | | | | | | | | | | | | | | | | | | | | | | | | | | | | | | | | | | | | | | | | | | | | | | | | | | | | | | | | | | | | | | | | | | | | | | | | | | | | | | | | | | | | | | | | | | | | | | | | | | | | | | | | | | | | | | | | | | | | | | | | | | | | | | | | | | | | | | | | | | | | | | | | | | | | | | | | | | | | | | | | | | | | | | | | | | | | | | | | | | | | | | | | | | | | | | | | | | | | | | | | | | | | | | | | | | | | | | | | | | | | | | | | | | | | | | | | | | | | | | | | | | | | | | | | | | | | | | | | | | | | | | | | | | | | | | | | | | | | | | | | | | | | | | | | | | | | | | | | | | | | | | | | | | | | | | | | | | | |
| GT | 88 | GTC | GPA | Switching | DR | 100 | TS | GPA | AF Amplifier | DR | 101 | TS | GPA | AF Amplifier | DR | 102 | TS | GPA | AF Amplifier | GT | 109 | GTC | GPA | AF Amplifier | GT | 122 | GTC | GPA | Switching | GT | 123 | GTC | GPA | Switching | RR | 125 | RR | GPA | AF Amplifier | DR | 126 | TS | GPA | AF Amplifier | DR | 128 | TS | GPA | AF Amplifier | DR | 129 | TS | GPA | General Use | DR | 130 | TS | GPA | General Use | DR | 131 | TS | GPA | General Use | DR | 132 | TS | GPA | General Use | DR | 139 | TS | GPA | General Use | DR | 147 | TS | GPA | AF Power Amp | GT | 153 | GT | GPA | Switching | DR | 154 | TS | GPA | General Use | DR | 155 | TS | GPA | General Use | TS | 161 | TS | GMA | AF Amplifier | TS | 162 | TS | GMA | General Use | TS | 163 | TS | GPA | AF Amplifier | TS | 164 | TS | GPA | AF Amplifier | TS | 165 | TS | GPA | AF Amplifier | TS | 166 | TS | GPA | AF Amplifier | GT | 167 | GTC | GPA | Switching | TS | 176 | TS | GPA | AF Power Amp | 200 | TI | GNG | GPA | General Use | 201 | TI | GNG | GPA | General Use | 202 | TI | GNG | GPA | General Use | 206 | TI | GNG | GPA | AF Amplifier | 207 | TI | GNG | GPA | AF Amplifier | 208 | TI | GNG | GPA | AF Amplifier | GT | 210 | GTC | GPA | Switching | 210 | TI | GNG | GPA | AF Amplifier | 220 | TI | GNG | GPA | AF Amplifier | 221 | TI | GNG | GPA | IF Amplifier | GT | 222 | GTC | GPA | General Use | 222 | TI | GNG | GPA | IF Amplifier | 223 | TI | GNG | GPA | Converter | 224 | TI | GNG | GPA | Detector | 225 | TI | GNG | GPA | IF Amplifier | 227 | TI | GNG | GPA | IF Amplifier | 228 | TI | GNG | GPA | Detector | GT | 229 | GTC | GNA | AF Amplifier | 234 | TI | CNA | IF Amplifier | IF Amplifier | 235 | TI | GNA | GPA | Converter | GT | 269 | GTC | GPA | RF Amplifier | 301 | TI | GPA | AF Amplifier | AF Amplifier | 302 | TI | GPA | AF Amplifier | AF Amplifier | 310 | TI | GPA | AF Amplifier | AF Amplifier | 310 | TI | GPA | AF Amplifier | AF Amplifier | | | | | | | | | | | | | | | | | | | | | | | | | | | | | | | | | | | | | | | | | | | | | | | | | | | | | | | | | | | | | | | | | | | | | | | | | | | | | | | | | | | | | | | | | | | | | | | | | | | | | | | | | | | | | | | | | | | | | | | | | | | | | | | | | | | | | | | | | | | | | | | | | | | | | | | | | | | | | | | | | | | | | | | | | | | | | | | | | | | | | | | | | | | | | | | | | | | | | | | | | | | | | | | | | | | | | | | | | | | | | | | | | | | | | | | | | | | | | | | | | | | | | | | | | | | | | | | | | | | | | | | | | | | | | | | | | | | | | | | | | | | | | | | | | | | | | | | | | | | | | | | | | | | | | | | | | | | | | | | | | | | | | | | | | | | | | | | | | | | | | | | | | | | | | | | | | | | | | | | | | | | | | | | | | | | | | | | | | | | | | | | | | | | | | | | | | | | | | | | | | | | | | | | | | | | | | | | | | | | | | | | | | | | | | | | | | | | | | | | | | | | | | | | | | | | | | | | | | | | | | | | | | | | | | | | | | | | | | | | | | | | | | | | | | | | | | | | | | | | | | | | | | | | | | | | | | | | | | | | | | | | | | | | | | | | | | | | | | | | | | | | | | | | | | | | | | | | | | | | | | | | | | | | | | | | | | | | | | | | | | | | | | | | | | | | | | | | | | | | | | | | | | | | | | | | | | | | | | | | | | | | | | | | | | | | | | | | | | | | | | | | | | | | | | | | | | | | | | | | | | | | | | | | | | | | | | | | | | | | | | | | | | | | | | | | | | | | | | | | | | | | | | | | | | | | | | | | | | | | | | | | | | | | | | | | | | | | | | | | | | | | | | | | | | | | | | | | | | | | | | | | | | |
| DR | 100 | TS | GPA | AF Amplifier | DR | 101 | TS | GPA | AF Amplifier | DR | 102 | TS | GPA | AF Amplifier | GT | 109 | GTC | GPA | AF Amplifier | GT | 122 | GTC | GPA | Switching | GT | 123 | GTC | GPA | Switching | RR | 125 | RR | GPA | AF Amplifier | DR | 126 | TS | GPA | AF Amplifier | DR | 128 | TS | GPA | AF Amplifier | DR | 129 | TS | GPA | General Use | DR | 130 | TS | GPA | General Use | DR | 131 | TS | GPA | General Use | DR | 132 | TS | GPA | General Use | DR | 139 | TS | GPA | General Use | DR | 147 | TS | GPA | AF Power Amp | GT | 153 | GT | GPA | Switching | DR | 154 | TS | GPA | General Use | DR | 155 | TS | GPA | General Use | TS | 161 | TS | GMA | AF Amplifier | TS | 162 | TS | GMA | General Use | TS | 163 | TS | GPA | AF Amplifier | TS | 164 | TS | GPA | AF Amplifier | TS | 165 | TS | GPA | AF Amplifier | TS | 166 | TS | GPA | AF Amplifier | GT | 167 | GTC | GPA | Switching | TS | 176 | TS | GPA | AF Power Amp | 200 | TI | GNG | GPA | General Use | 201 | TI | GNG | GPA | General Use | 202 | TI | GNG | GPA | General Use | 206 | TI | GNG | GPA | AF Amplifier | 207 | TI | GNG | GPA | AF Amplifier | 208 | TI | GNG | GPA | AF Amplifier | GT | 210 | GTC | GPA | Switching | 210 | TI | GNG | GPA | AF Amplifier | 220 | TI | GNG | GPA | AF Amplifier | 221 | TI | GNG | GPA | IF Amplifier | GT | 222 | GTC | GPA | General Use | 222 | TI | GNG | GPA | IF Amplifier | 223 | TI | GNG | GPA | Converter | 224 | TI | GNG | GPA | Detector | 225 | TI | GNG | GPA | IF Amplifier | 227 | TI | GNG | GPA | IF Amplifier | 228 | TI | GNG | GPA | Detector | GT | 229 | GTC | GNA | AF Amplifier | 234 | TI | CNA | IF Amplifier | IF Amplifier | 235 | TI | GNA | GPA | Converter | GT | 269 | GTC | GPA | RF Amplifier | 301 | TI | GPA | AF Amplifier | AF Amplifier | 302 | TI | GPA | AF Amplifier | AF Amplifier | 310 | TI | GPA | AF Amplifier | AF Amplifier | 310 | TI | GPA | AF Amplifier | AF Amplifier | | | | | | | | | | | | | | | | | | | | | | | | | | | | | | | | | | | | | | | | | | | | | | | | | | | | | | | | | | | | | | | | | | | | | | | | | | | | | | | | | | | | | | | | | | | | | | | | | | | | | | | | | | | | | | | | | | | | | | | | | | | | | | | | | | | | | | | | | | | | | | | | | | | | | | | | | | | | | | | | | | | | | | | | | | | | | | | | | | | | | | | | | | | | | | | | | | | | | | | | | | | | | | | | | | | | | | | | | | | | | | | | | | | | | | | | | | | | | | | | | | | | | | | | | | | | | | | | | | | | | | | | | | | | | | | | | | | | | | | | | | | | | | | | | | | | | | | | | | | | | | | | | | | | | | | | | | | | | | | | | | | | | | | | | | | | | | | | | | | | | | | | | | | | | | | | | | | | | | | | | | | | | | | | | | | | | | | | | | | | | | | | | | | | | | | | | | | | | | | | | | | | | | | | | | | | | | | | | | | | | | | | | | | | | | | | | | | | | | | | | | | | | | | | | | | | | | | | | | | | | | | | | | | | | | | | | | | | | | | | | | | | | | | | | | | | | | | | | | | | | | | | | | | | | | | | | | | | | | | | | | | | | | | | | | | | | | | | | | | | | | | | | | | | | | | | | | | | | | | | | | | | | | | | | | | | | | | | | | | | | | | | | | | | | | | | | | | | | | | | | | | | | | | | | | | | | | | | | | | | | | | | | | | | | | | | | | | | | | | | | | | | | | | | | | | | | | | | | | | | | | | | | | | | | | | | | | | | | | | | | | | | | | | | | | | | | | | | | | | | | | | | | | | | | | | | | | | | | | | | | | | | | | | | | | | | | | | | | | | | | | | | | | | | | | | | | | | | | | | | | | | | | | | | | | |
| DR | 101 | TS | GPA | AF Amplifier | DR | 102 | TS | GPA | AF Amplifier | GT | 109 | GTC | GPA | AF Amplifier | GT | 122 | GTC | GPA | Switching | GT | 123 | GTC | GPA | Switching | RR | 125 | RR | GPA | AF Amplifier | DR | 126 | TS | GPA | AF Amplifier | DR | 128 | TS | GPA | AF Amplifier | DR | 129 | TS | GPA | General Use | DR | 130 | TS | GPA | General Use | DR | 131 | TS | GPA | General Use | DR | 132 | TS | GPA | General Use | DR | 139 | TS | GPA | General Use | DR | 147 | TS | GPA | AF Power Amp | GT | 153 | GT | GPA | Switching | DR | 154 | TS | GPA | General Use | DR | 155 | TS | GPA | General Use | TS | 161 | TS | GMA | AF Amplifier | TS | 162 | TS | GMA | General Use | TS | 163 | TS | GPA | AF Amplifier | TS | 164 | TS | GPA | AF Amplifier | TS | 165 | TS | GPA | AF Amplifier | TS | 166 | TS | GPA | AF Amplifier | GT | 167 | GTC | GPA | Switching | TS | 176 | TS | GPA | AF Power Amp | 200 | TI | GNG | GPA | General Use | 201 | TI | GNG | GPA | General Use | 202 | TI | GNG | GPA | General Use | 206 | TI | GNG | GPA | AF Amplifier | 207 | TI | GNG | GPA | AF Amplifier | 208 | TI | GNG | GPA | AF Amplifier | GT | 210 | GTC | GPA | Switching | 210 | TI | GNG | GPA | AF Amplifier | 220 | TI | GNG | GPA | AF Amplifier | 221 | TI | GNG | GPA | IF Amplifier | GT | 222 | GTC | GPA | General Use | 222 | TI | GNG | GPA | IF Amplifier | 223 | TI | GNG | GPA | Converter | 224 | TI | GNG | GPA | Detector | 225 | TI | GNG | GPA | IF Amplifier | 227 | TI | GNG | GPA | IF Amplifier | 228 | TI | GNG | GPA | Detector | GT | 229 | GTC | GNA | AF Amplifier | 234 | TI | CNA | IF Amplifier | IF Amplifier | 235 | TI | GNA | GPA | Converter | GT | 269 | GTC | GPA | RF Amplifier | 301 | TI | GPA | AF Amplifier | AF Amplifier | 302 | TI | GPA | AF Amplifier | AF Amplifier | 310 | TI | GPA | AF Amplifier | AF Amplifier | 310 | TI | GPA | AF Amplifier | AF Amplifier | | | | | | | | | | | | | | | | | | | | | | | | | | | | | | | | | | | | | | | | | | | | | | | | | | | | | | | | | | | | | | | | | | | | | | | | | | | | | | | | | | | | | | | | | | | | | | | | | | | | | | | | | | | | | | | | | | | | | | | | | | | | | | | | | | | | | | | | | | | | | | | | | | | | | | | | | | | | | | | | | | | | | | | | | | | | | | | | | | | | | | | | | | | | | | | | | | | | | | | | | | | | | | | | | | | | | | | | | | | | | | | | | | | | | | | | | | | | | | | | | | | | | | | | | | | | | | | | | | | | | | | | | | | | | | | | | | | | | | | | | | | | | | | | | | | | | | | | | | | | | | | | | | | | | | | | | | | | | | | | | | | | | | | | | | | | | | | | | | | | | | | | | | | | | | | | | | | | | | | | | | | | | | | | | | | | | | | | | | | | | | | | | | | | | | | | | | | | | | | | | | | | | | | | | | | | | | | | | | | | | | | | | | | | | | | | | | | | | | | | | | | | | | | | | | | | | | | | | | | | | | | | | | | | | | | | | | | | | | | | | | | | | | | | | | | | | | | | | | | | | | | | | | | | | | | | | | | | | | | | | | | | | | | | | | | | | | | | | | | | | | | | | | | | | | | | | | | | | | | | | | | | | | | | | | | | | | | | | | | | | | | | | | | | | | | | | | | | | | | | | | | | | | | | | | | | | | | | | | | | | | | | | | | | | | | | | | | | | | | | | | | | | | | | | | | | | | | | | | | | | | | | | | | | | | | | | | | | | | | | | | | | | | | | | | | | | | | | | | | | | | | | | | | | | | | | | | | | | | | | | | | | | | | | | | | | | | | | | | | | | | | | | | | | | | | | | | | | | | | | | | | | | | | | | | | | | | | |
| DR | 102 | TS | GPA | AF Amplifier | GT | 109 | GTC | GPA | AF Amplifier | GT | 122 | GTC | GPA | Switching | GT | 123 | GTC | GPA | Switching | RR | 125 | RR | GPA | AF Amplifier | DR | 126 | TS | GPA | AF Amplifier | DR | 128 | TS | GPA | AF Amplifier | DR | 129 | TS | GPA | General Use | DR | 130 | TS | GPA | General Use | DR | 131 | TS | GPA | General Use | DR | 132 | TS | GPA | General Use | DR | 139 | TS | GPA | General Use | DR | 147 | TS | GPA | AF Power Amp | GT | 153 | GT | GPA | Switching | DR | 154 | TS | GPA | General Use | DR | 155 | TS | GPA | General Use | TS | 161 | TS | GMA | AF Amplifier | TS | 162 | TS | GMA | General Use | TS | 163 | TS | GPA | AF Amplifier | TS | 164 | TS | GPA | AF Amplifier | TS | 165 | TS | GPA | AF Amplifier | TS | 166 | TS | GPA | AF Amplifier | GT | 167 | GTC | GPA | Switching | TS | 176 | TS | GPA | AF Power Amp | 200 | TI | GNG | GPA | General Use | 201 | TI | GNG | GPA | General Use | 202 | TI | GNG | GPA | General Use | 206 | TI | GNG | GPA | AF Amplifier | 207 | TI | GNG | GPA | AF Amplifier | 208 | TI | GNG | GPA | AF Amplifier | GT | 210 | GTC | GPA | Switching | 210 | TI | GNG | GPA | AF Amplifier | 220 | TI | GNG | GPA | AF Amplifier | 221 | TI | GNG | GPA | IF Amplifier | GT | 222 | GTC | GPA | General Use | 222 | TI | GNG | GPA | IF Amplifier | 223 | TI | GNG | GPA | Converter | 224 | TI | GNG | GPA | Detector | 225 | TI | GNG | GPA | IF Amplifier | 227 | TI | GNG | GPA | IF Amplifier | 228 | TI | GNG | GPA | Detector | GT | 229 | GTC | GNA | AF Amplifier | 234 | TI | CNA | IF Amplifier | IF Amplifier | 235 | TI | GNA | GPA | Converter | GT | 269 | GTC | GPA | RF Amplifier | 301 | TI | GPA | AF Amplifier | AF Amplifier | 302 | TI | GPA | AF Amplifier | AF Amplifier | 310 | TI | GPA | AF Amplifier | AF Amplifier | 310 | TI | GPA | AF Amplifier | AF Amplifier | | | | | | | | | | | | | | | | | | | | | | | | | | | | | | | | | | | | | | | | | | | | | | | | | | | | | | | | | | | | | | | | | | | | | | | | | | | | | | | | | | | | | | | | | | | | | | | | | | | | | | | | | | | | | | | | | | | | | | | | | | | | | | | | | | | | | | | | | | | | | | | | | | | | | | | | | | | | | | | | | | | | | | | | | | | | | | | | | | | | | | | | | | | | | | | | | | | | | | | | | | | | | | | | | | | | | | | | | | | | | | | | | | | | | | | | | | | | | | | | | | | | | | | | | | | | | | | | | | | | | | | | | | | | | | | | | | | | | | | | | | | | | | | | | | | | | | | | | | | | | | | | | | | | | | | | | | | | | | | | | | | | | | | | | | | | | | | | | | | | | | | | | | | | | | | | | | | | | | | | | | | | | | | | | | | | | | | | | | | | | | | | | | | | | | | | | | | | | | | | | | | | | | | | | | | | | | | | | | | | | | | | | | | | | | | | | | | | | | | | | | | | | | | | | | | | | | | | | | | | | | | | | | | | | | | | | | | | | | | | | | | | | | | | | | | | | | | | | | | | | | | | | | | | | | | | | | | | | | | | | | | | | | | | | | | | | | | | | | | | | | | | | | | | | | | | | | | | | | | | | | | | | | | | | | | | | | | | | | | | | | | | | | | | | | | | | | | | | | | | | | | | | | | | | | | | | | | | | | | | | | | | | | | | | | | | | | | | | | | | | | | | | | | | | | | | | | | | | | | | | | | | | | | | | | | | | | | | | | | | | | | | | | | | | | | | | | | | | | | | | | | | | | | | | | | | | | | | | | | | | | | | | | | | | | | | | | | | | | | | | | | | | | | | | | | | | | | | | | | | | | | | | | | | | | | | | | | | | | | | |
| GT | 109 | GTC | GPA | AF Amplifier | GT | 122 | GTC | GPA | Switching | GT | 123 | GTC | GPA | Switching | RR | 125 | RR | GPA | AF Amplifier | DR | 126 | TS | GPA | AF Amplifier | DR | 128 | TS | GPA | AF Amplifier | DR | 129 | TS | GPA | General Use | DR | 130 | TS | GPA | General Use | DR | 131 | TS | GPA | General Use | DR | 132 | TS | GPA | General Use | DR | 139 | TS | GPA | General Use | DR | 147 | TS | GPA | AF Power Amp | GT | 153 | GT | GPA | Switching | DR | 154 | TS | GPA | General Use | DR | 155 | TS | GPA | General Use | TS | 161 | TS | GMA | AF Amplifier | TS | 162 | TS | GMA | General Use | TS | 163 | TS | GPA | AF Amplifier | TS | 164 | TS | GPA | AF Amplifier | TS | 165 | TS | GPA | AF Amplifier | TS | 166 | TS | GPA | AF Amplifier | GT | 167 | GTC | GPA | Switching | TS | 176 | TS | GPA | AF Power Amp | 200 | TI | GNG | GPA | General Use | 201 | TI | GNG | GPA | General Use | 202 | TI | GNG | GPA | General Use | 206 | TI | GNG | GPA | AF Amplifier | 207 | TI | GNG | GPA | AF Amplifier | 208 | TI | GNG | GPA | AF Amplifier | GT | 210 | GTC | GPA | Switching | 210 | TI | GNG | GPA | AF Amplifier | 220 | TI | GNG | GPA | AF Amplifier | 221 | TI | GNG | GPA | IF Amplifier | GT | 222 | GTC | GPA | General Use | 222 | TI | GNG | GPA | IF Amplifier | 223 | TI | GNG | GPA | Converter | 224 | TI | GNG | GPA | Detector | 225 | TI | GNG | GPA | IF Amplifier | 227 | TI | GNG | GPA | IF Amplifier | 228 | TI | GNG | GPA | Detector | GT | 229 | GTC | GNA | AF Amplifier | 234 | TI | CNA | IF Amplifier | IF Amplifier | 235 | TI | GNA | GPA | Converter | GT | 269 | GTC | GPA | RF Amplifier | 301 | TI | GPA | AF Amplifier | AF Amplifier | 302 | TI | GPA | AF Amplifier | AF Amplifier | 310 | TI | GPA | AF Amplifier | AF Amplifier | 310 | TI | GPA | AF Amplifier | AF Amplifier | | | | | | | | | | | | | | | | | | | | | | | | | | | | | | | | | | | | | | | | | | | | | | | | | | | | | | | | | | | | | | | | | | | | | | | | | | | | | | | | | | | | | | | | | | | | | | | | | | | | | | | | | | | | | | | | | | | | | | | | | | | | | | | | | | | | | | | | | | | | | | | | | | | | | | | | | | | | | | | | | | | | | | | | | | | | | | | | | | | | | | | | | | | | | | | | | | | | | | | | | | | | | | | | | | | | | | | | | | | | | | | | | | | | | | | | | | | | | | | | | | | | | | | | | | | | | | | | | | | | | | | | | | | | | | | | | | | | | | | | | | | | | | | | | | | | | | | | | | | | | | | | | | | | | | | | | | | | | | | | | | | | | | | | | | | | | | | | | | | | | | | | | | | | | | | | | | | | | | | | | | | | | | | | | | | | | | | | | | | | | | | | | | | | | | | | | | | | | | | | | | | | | | | | | | | | | | | | | | | | | | | | | | | | | | | | | | | | | | | | | | | | | | | | | | | | | | | | | | | | | | | | | | | | | | | | | | | | | | | | | | | | | | | | | | | | | | | | | | | | | | | | | | | | | | | | | | | | | | | | | | | | | | | | | | | | | | | | | | | | | | | | | | | | | | | | | | | | | | | | | | | | | | | | | | | | | | | | | | | | | | | | | | | | | | | | | | | | | | | | | | | | | | | | | | | | | | | | | | | | | | | | | | | | | | | | | | | | | | | | | | | | | | | | | | | | | | | | | | | | | | | | | | | | | | | | | | | | | | | | | | | | | | | | | | | | | | | | | | | | | | | | | | | | | | | | | | | | | | | | | | | | | | | | | | | | | | | | | | | | | | | | | | | | | | | | | | | | | | | | | | | | | | | | | | | | | | | | | | | | | | | | | |
| GT | 122 | GTC | GPA | Switching | GT | 123 | GTC | GPA | Switching | RR | 125 | RR | GPA | AF Amplifier | DR | 126 | TS | GPA | AF Amplifier | DR | 128 | TS | GPA | AF Amplifier | DR | 129 | TS | GPA | General Use | DR | 130 | TS | GPA | General Use | DR | 131 | TS | GPA | General Use | DR | 132 | TS | GPA | General Use | DR | 139 | TS | GPA | General Use | DR | 147 | TS | GPA | AF Power Amp | GT | 153 | GT | GPA | Switching | DR | 154 | TS | GPA | General Use | DR | 155 | TS | GPA | General Use | TS | 161 | TS | GMA | AF Amplifier | TS | 162 | TS | GMA | General Use | TS | 163 | TS | GPA | AF Amplifier | TS | 164 | TS | GPA | AF Amplifier | TS | 165 | TS | GPA | AF Amplifier | TS | 166 | TS | GPA | AF Amplifier | GT | 167 | GTC | GPA | Switching | TS | 176 | TS | GPA | AF Power Amp | 200 | TI | GNG | GPA | General Use | 201 | TI | GNG | GPA | General Use | 202 | TI | GNG | GPA | General Use | 206 | TI | GNG | GPA | AF Amplifier | 207 | TI | GNG | GPA | AF Amplifier | 208 | TI | GNG | GPA | AF Amplifier | GT | 210 | GTC | GPA | Switching | 210 | TI | GNG | GPA | AF Amplifier | 220 | TI | GNG | GPA | AF Amplifier | 221 | TI | GNG | GPA | IF Amplifier | GT | 222 | GTC | GPA | General Use | 222 | TI | GNG | GPA | IF Amplifier | 223 | TI | GNG | GPA | Converter | 224 | TI | GNG | GPA | Detector | 225 | TI | GNG | GPA | IF Amplifier | 227 | TI | GNG | GPA | IF Amplifier | 228 | TI | GNG | GPA | Detector | GT | 229 | GTC | GNA | AF Amplifier | 234 | TI | CNA | IF Amplifier | IF Amplifier | 235 | TI | GNA | GPA | Converter | GT | 269 | GTC | GPA | RF Amplifier | 301 | TI | GPA | AF Amplifier | AF Amplifier | 302 | TI | GPA | AF Amplifier | AF Amplifier | 310 | TI | GPA | AF Amplifier | AF Amplifier | 310 | TI | GPA | AF Amplifier | AF Amplifier | | | | | | | | | | | | | | | | | | | | | | | | | | | | | | | | | | | | | | | | | | | | | | | | | | | | | | | | | | | | | | | | | | | | | | | | | | | | | | | | | | | | | | | | | | | | | | | | | | | | | | | | | | | | | | | | | | | | | | | | | | | | | | | | | | | | | | | | | | | | | | | | | | | | | | | | | | | | | | | | | | | | | | | | | | | | | | | | | | | | | | | | | | | | | | | | | | | | | | | | | | | | | | | | | | | | | | | | | | | | | | | | | | | | | | | | | | | | | | | | | | | | | | | | | | | | | | | | | | | | | | | | | | | | | | | | | | | | | | | | | | | | | | | | | | | | | | | | | | | | | | | | | | | | | | | | | | | | | | | | | | | | | | | | | | | | | | | | | | | | | | | | | | | | | | | | | | | | | | | | | | | | | | | | | | | | | | | | | | | | | | | | | | | | | | | | | | | | | | | | | | | | | | | | | | | | | | | | | | | | | | | | | | | | | | | | | | | | | | | | | | | | | | | | | | | | | | | | | | | | | | | | | | | | | | | | | | | | | | | | | | | | | | | | | | | | | | | | | | | | | | | | | | | | | | | | | | | | | | | | | | | | | | | | | | | | | | | | | | | | | | | | | | | | | | | | | | | | | | | | | | | | | | | | | | | | | | | | | | | | | | | | | | | | | | | | | | | | | | | | | | | | | | | | | | | | | | | | | | | | | | | | | | | | | | | | | | | | | | | | | | | | | | | | | | | | | | | | | | | | | | | | | | | | | | | | | | | | | | | | | | | | | | | | | | | | | | | | | | | | | | | | | | | | | | | | | | | | | | | | | | | | | | | | | | | | | | | | | | | | | | | | | | | | | | | | | | | | | | | | | | | | | | | | | | | | | | | | | | | | | | | | | | | | | | |
| GT | 123 | GTC | GPA | Switching | RR | 125 | RR | GPA | AF Amplifier | DR | 126 | TS | GPA | AF Amplifier | DR | 128 | TS | GPA | AF Amplifier | DR | 129 | TS | GPA | General Use | DR | 130 | TS | GPA | General Use | DR | 131 | TS | GPA | General Use | DR | 132 | TS | GPA | General Use | DR | 139 | TS | GPA | General Use | DR | 147 | TS | GPA | AF Power Amp | GT | 153 | GT | GPA | Switching | DR | 154 | TS | GPA | General Use | DR | 155 | TS | GPA | General Use | TS | 161 | TS | GMA | AF Amplifier | TS | 162 | TS | GMA | General Use | TS | 163 | TS | GPA | AF Amplifier | TS | 164 | TS | GPA | AF Amplifier | TS | 165 | TS | GPA | AF Amplifier | TS | 166 | TS | GPA | AF Amplifier | GT | 167 | GTC | GPA | Switching | TS | 176 | TS | GPA | AF Power Amp | 200 | TI | GNG | GPA | General Use | 201 | TI | GNG | GPA | General Use | 202 | TI | GNG | GPA | General Use | 206 | TI | GNG | GPA | AF Amplifier | 207 | TI | GNG | GPA | AF Amplifier | 208 | TI | GNG | GPA | AF Amplifier | GT | 210 | GTC | GPA | Switching | 210 | TI | GNG | GPA | AF Amplifier | 220 | TI | GNG | GPA | AF Amplifier | 221 | TI | GNG | GPA | IF Amplifier | GT | 222 | GTC | GPA | General Use | 222 | TI | GNG | GPA | IF Amplifier | 223 | TI | GNG | GPA | Converter | 224 | TI | GNG | GPA | Detector | 225 | TI | GNG | GPA | IF Amplifier | 227 | TI | GNG | GPA | IF Amplifier | 228 | TI | GNG | GPA | Detector | GT | 229 | GTC | GNA | AF Amplifier | 234 | TI | CNA | IF Amplifier | IF Amplifier | 235 | TI | GNA | GPA | Converter | GT | 269 | GTC | GPA | RF Amplifier | 301 | TI | GPA | AF Amplifier | AF Amplifier | 302 | TI | GPA | AF Amplifier | AF Amplifier | 310 | TI | GPA | AF Amplifier | AF Amplifier | 310 | TI | GPA | AF Amplifier | AF Amplifier | | | | | | | | | | | | | | | | | | | | | | | | | | | | | | | | | | | | | | | | | | | | | | | | | | | | | | | | | | | | | | | | | | | | | | | | | | | | | | | | | | | | | | | | | | | | | | | | | | | | | | | | | | | | | | | | | | | | | | | | | | | | | | | | | | | | | | | | | | | | | | | | | | | | | | | | | | | | | | | | | | | | | | | | | | | | | | | | | | | | | | | | | | | | | | | | | | | | | | | | | | | | | | | | | | | | | | | | | | | | | | | | | | | | | | | | | | | | | | | | | | | | | | | | | | | | | | | | | | | | | | | | | | | | | | | | | | | | | | | | | | | | | | | | | | | | | | | | | | | | | | | | | | | | | | | | | | | | | | | | | | | | | | | | | | | | | | | | | | | | | | | | | | | | | | | | | | | | | | | | | | | | | | | | | | | | | | | | | | | | | | | | | | | | | | | | | | | | | | | | | | | | | | | | | | | | | | | | | | | | | | | | | | | | | | | | | | | | | | | | | | | | | | | | | | | | | | | | | | | | | | | | | | | | | | | | | | | | | | | | | | | | | | | | | | | | | | | | | | | | | | | | | | | | | | | | | | | | | | | | | | | | | | | | | | | | | | | | | | | | | | | | | | | | | | | | | | | | | | | | | | | | | | | | | | | | | | | | | | | | | | | | | | | | | | | | | | | | | | | | | | | | | | | | | | | | | | | | | | | | | | | | | | | | | | | | | | | | | | | | | | | | | | | | | | | | | | | | | | | | | | | | | | | | | | | | | | | | | | | | | | | | | | | | | | | | | | | | | | | | | | | | | | | | | | | | | | | | | | | | | | | | | | | | | | | | | | | | | | | | | | | | | | | | | | | | | | | | | | | | | | | | | | | | | | | | | | | | | | | | | | | | | | | | | | | | | | | |
| RR | 125 | RR | GPA | AF Amplifier | DR | 126 | TS | GPA | AF Amplifier | DR | 128 | TS | GPA | AF Amplifier | DR | 129 | TS | GPA | General Use | DR | 130 | TS | GPA | General Use | DR | 131 | TS | GPA | General Use | DR | 132 | TS | GPA | General Use | DR | 139 | TS | GPA | General Use | DR | 147 | TS | GPA | AF Power Amp | GT | 153 | GT | GPA | Switching | DR | 154 | TS | GPA | General Use | DR | 155 | TS | GPA | General Use | TS | 161 | TS | GMA | AF Amplifier | TS | 162 | TS | GMA | General Use | TS | 163 | TS | GPA | AF Amplifier | TS | 164 | TS | GPA | AF Amplifier | TS | 165 | TS | GPA | AF Amplifier | TS | 166 | TS | GPA | AF Amplifier | GT | 167 | GTC | GPA | Switching | TS | 176 | TS | GPA | AF Power Amp | 200 | TI | GNG | GPA | General Use | 201 | TI | GNG | GPA | General Use | 202 | TI | GNG | GPA | General Use | 206 | TI | GNG | GPA | AF Amplifier | 207 | TI | GNG | GPA | AF Amplifier | 208 | TI | GNG | GPA | AF Amplifier | GT | 210 | GTC | GPA | Switching | 210 | TI | GNG | GPA | AF Amplifier | 220 | TI | GNG | GPA | AF Amplifier | 221 | TI | GNG | GPA | IF Amplifier | GT | 222 | GTC | GPA | General Use | 222 | TI | GNG | GPA | IF Amplifier | 223 | TI | GNG | GPA | Converter | 224 | TI | GNG | GPA | Detector | 225 | TI | GNG | GPA | IF Amplifier | 227 | TI | GNG | GPA | IF Amplifier | 228 | TI | GNG | GPA | Detector | GT | 229 | GTC | GNA | AF Amplifier | 234 | TI | CNA | IF Amplifier | IF Amplifier | 235 | TI | GNA | GPA | Converter | GT | 269 | GTC | GPA | RF Amplifier | 301 | TI | GPA | AF Amplifier | AF Amplifier | 302 | TI | GPA | AF Amplifier | AF Amplifier | 310 | TI | GPA | AF Amplifier | AF Amplifier | 310 | TI | GPA | AF Amplifier | AF Amplifier | | | | | | | | | | | | | | | | | | | | | | | | | | | | | | | | | | | | | | | | | | | | | | | | | | | | | | | | | | | | | | | | | | | | | | | | | | | | | | | | | | | | | | | | | | | | | | | | | | | | | | | | | | | | | | | | | | | | | | | | | | | | | | | | | | | | | | | | | | | | | | | | | | | | | | | | | | | | | | | | | | | | | | | | | | | | | | | | | | | | | | | | | | | | | | | | | | | | | | | | | | | | | | | | | | | | | | | | | | | | | | | | | | | | | | | | | | | | | | | | | | | | | | | | | | | | | | | | | | | | | | | | | | | | | | | | | | | | | | | | | | | | | | | | | | | | | | | | | | | | | | | | | | | | | | | | | | | | | | | | | | | | | | | | | | | | | | | | | | | | | | | | | | | | | | | | | | | | | | | | | | | | | | | | | | | | | | | | | | | | | | | | | | | | | | | | | | | | | | | | | | | | | | | | | | | | | | | | | | | | | | | | | | | | | | | | | | | | | | | | | | | | | | | | | | | | | | | | | | | | | | | | | | | | | | | | | | | | | | | | | | | | | | | | | | | | | | | | | | | | | | | | | | | | | | | | | | | | | | | | | | | | | | | | | | | | | | | | | | | | | | | | | | | | | | | | | | | | | | | | | | | | | | | | | | | | | | | | | | | | | | | | | | | | | | | | | | | | | | | | | | | | | | | | | | | | | | | | | | | | | | | | | | | | | | | | | | | | | | | | | | | | | | | | | | | | | | | | | | | | | | | | | | | | | | | | | | | | | | | | | | | | | | | | | | | | | | | | | | | | | | | | | | | | | | | | | | | | | | | | | | | | | | | | | | | | | | | | | | | | | | | | | | | | | | | | | | | | | | | | | | | | | | | | | | | | | | | | | | | | | | | | | | | | | | | | | | | | | | | | |
| DR | 126 | TS | GPA | AF Amplifier | DR | 128 | TS | GPA | AF Amplifier | DR | 129 | TS | GPA | General Use | DR | 130 | TS | GPA | General Use | DR | 131 | TS | GPA | General Use | DR | 132 | TS | GPA | General Use | DR | 139 | TS | GPA | General Use | DR | 147 | TS | GPA | AF Power Amp | GT | 153 | GT | GPA | Switching | DR | 154 | TS | GPA | General Use | DR | 155 | TS | GPA | General Use | TS | 161 | TS | GMA | AF Amplifier | TS | 162 | TS | GMA | General Use | TS | 163 | TS | GPA | AF Amplifier | TS | 164 | TS | GPA | AF Amplifier | TS | 165 | TS | GPA | AF Amplifier | TS | 166 | TS | GPA | AF Amplifier | GT | 167 | GTC | GPA | Switching | TS | 176 | TS | GPA | AF Power Amp | 200 | TI | GNG | GPA | General Use | 201 | TI | GNG | GPA | General Use | 202 | TI | GNG | GPA | General Use | 206 | TI | GNG | GPA | AF Amplifier | 207 | TI | GNG | GPA | AF Amplifier | 208 | TI | GNG | GPA | AF Amplifier | GT | 210 | GTC | GPA | Switching | 210 | TI | GNG | GPA | AF Amplifier | 220 | TI | GNG | GPA | AF Amplifier | 221 | TI | GNG | GPA | IF Amplifier | GT | 222 | GTC | GPA | General Use | 222 | TI | GNG | GPA | IF Amplifier | 223 | TI | GNG | GPA | Converter | 224 | TI | GNG | GPA | Detector | 225 | TI | GNG | GPA | IF Amplifier | 227 | TI | GNG | GPA | IF Amplifier | 228 | TI | GNG | GPA | Detector | GT | 229 | GTC | GNA | AF Amplifier | 234 | TI | CNA | IF Amplifier | IF Amplifier | 235 | TI | GNA | GPA | Converter | GT | 269 | GTC | GPA | RF Amplifier | 301 | TI | GPA | AF Amplifier | AF Amplifier | 302 | TI | GPA | AF Amplifier | AF Amplifier | 310 | TI | GPA | AF Amplifier | AF Amplifier | 310 | TI | GPA | AF Amplifier | AF Amplifier | | | | | | | | | | | | | | | | | | | | | | | | | | | | | | | | | | | | | | | | | | | | | | | | | | | | | | | | | | | | | | | | | | | | | | | | | | | | | | | | | | | | | | | | | | | | | | | | | | | | | | | | | | | | | | | | | | | | | | | | | | | | | | | | | | | | | | | | | | | | | | | | | | | | | | | | | | | | | | | | | | | | | | | | | | | | | | | | | | | | | | | | | | | | | | | | | | | | | | | | | | | | | | | | | | | | | | | | | | | | | | | | | | | | | | | | | | | | | | | | | | | | | | | | | | | | | | | | | | | | | | | | | | | | | | | | | | | | | | | | | | | | | | | | | | | | | | | | | | | | | | | | | | | | | | | | | | | | | | | | | | | | | | | | | | | | | | | | | | | | | | | | | | | | | | | | | | | | | | | | | | | | | | | | | | | | | | | | | | | | | | | | | | | | | | | | | | | | | | | | | | | | | | | | | | | | | | | | | | | | | | | | | | | | | | | | | | | | | | | | | | | | | | | | | | | | | | | | | | | | | | | | | | | | | | | | | | | | | | | | | | | | | | | | | | | | | | | | | | | | | | | | | | | | | | | | | | | | | | | | | | | | | | | | | | | | | | | | | | | | | | | | | | | | | | | | | | | | | | | | | | | | | | | | | | | | | | | | | | | | | | | | | | | | | | | | | | | | | | | | | | | | | | | | | | | | | | | | | | | | | | | | | | | | | | | | | | | | | | | | | | | | | | | | | | | | | | | | | | | | | | | | | | | | | | | | | | | | | | | | | | | | | | | | | | | | | | | | | | | | | | | | | | | | | | | | | | | | | | | | | | | | | | | | | | | | | | | | | | | | | | | | | | | | | | | | | | | | | | | | | | | | | | | | | | | | | | | | | | | | | | | | | | | | | | | | | | | | | | | | | | | | | |
| DR | 128 | TS | GPA | AF Amplifier | DR | 129 | TS | GPA | General Use | DR | 130 | TS | GPA | General Use | DR | 131 | TS | GPA | General Use | DR | 132 | TS | GPA | General Use | DR | 139 | TS | GPA | General Use | DR | 147 | TS | GPA | AF Power Amp | GT | 153 | GT | GPA | Switching | DR | 154 | TS | GPA | General Use | DR | 155 | TS | GPA | General Use | TS | 161 | TS | GMA | AF Amplifier | TS | 162 | TS | GMA | General Use | TS | 163 | TS | GPA | AF Amplifier | TS | 164 | TS | GPA | AF Amplifier | TS | 165 | TS | GPA | AF Amplifier | TS | 166 | TS | GPA | AF Amplifier | GT | 167 | GTC | GPA | Switching | TS | 176 | TS | GPA | AF Power Amp | 200 | TI | GNG | GPA | General Use | 201 | TI | GNG | GPA | General Use | 202 | TI | GNG | GPA | General Use | 206 | TI | GNG | GPA | AF Amplifier | 207 | TI | GNG | GPA | AF Amplifier | 208 | TI | GNG | GPA | AF Amplifier | GT | 210 | GTC | GPA | Switching | 210 | TI | GNG | GPA | AF Amplifier | 220 | TI | GNG | GPA | AF Amplifier | 221 | TI | GNG | GPA | IF Amplifier | GT | 222 | GTC | GPA | General Use | 222 | TI | GNG | GPA | IF Amplifier | 223 | TI | GNG | GPA | Converter | 224 | TI | GNG | GPA | Detector | 225 | TI | GNG | GPA | IF Amplifier | 227 | TI | GNG | GPA | IF Amplifier | 228 | TI | GNG | GPA | Detector | GT | 229 | GTC | GNA | AF Amplifier | 234 | TI | CNA | IF Amplifier | IF Amplifier | 235 | TI | GNA | GPA | Converter | GT | 269 | GTC | GPA | RF Amplifier | 301 | TI | GPA | AF Amplifier | AF Amplifier | 302 | TI | GPA | AF Amplifier | AF Amplifier | 310 | TI | GPA | AF Amplifier | AF Amplifier | 310 | TI | GPA | AF Amplifier | AF Amplifier | | | | | | | | | | | | | | | | | | | | | | | | | | | | | | | | | | | | | | | | | | | | | | | | | | | | | | | | | | | | | | | | | | | | | | | | | | | | | | | | | | | | | | | | | | | | | | | | | | | | | | | | | | | | | | | | | | | | | | | | | | | | | | | | | | | | | | | | | | | | | | | | | | | | | | | | | | | | | | | | | | | | | | | | | | | | | | | | | | | | | | | | | | | | | | | | | | | | | | | | | | | | | | | | | | | | | | | | | | | | | | | | | | | | | | | | | | | | | | | | | | | | | | | | | | | | | | | | | | | | | | | | | | | | | | | | | | | | | | | | | | | | | | | | | | | | | | | | | | | | | | | | | | | | | | | | | | | | | | | | | | | | | | | | | | | | | | | | | | | | | | | | | | | | | | | | | | | | | | | | | | | | | | | | | | | | | | | | | | | | | | | | | | | | | | | | | | | | | | | | | | | | | | | | | | | | | | | | | | | | | | | | | | | | | | | | | | | | | | | | | | | | | | | | | | | | | | | | | | | | | | | | | | | | | | | | | | | | | | | | | | | | | | | | | | | | | | | | | | | | | | | | | | | | | | | | | | | | | | | | | | | | | | | | | | | | | | | | | | | | | | | | | | | | | | | | | | | | | | | | | | | | | | | | | | | | | | | | | | | | | | | | | | | | | | | | | | | | | | | | | | | | | | | | | | | | | | | | | | | | | | | | | | | | | | | | | | | | | | | | | | | | | | | | | | | | | | | | | | | | | | | | | | | | | | | | | | | | | | | | | | | | | | | | | | | | | | | | | | | | | | | | | | | | | | | | | | | | | | | | | | | | | | | | | | | | | | | | | | | | | | | | | | | | | | | | | | | | | | | | | | | | | | | | | | | | | | | | | | | | | | | | | | | | | | | | | | | | | | | | | | | | | | | | | | |
| DR | 129 | TS | GPA | General Use | DR | 130 | TS | GPA | General Use | DR | 131 | TS | GPA | General Use | DR | 132 | TS | GPA | General Use | DR | 139 | TS | GPA | General Use | DR | 147 | TS | GPA | AF Power Amp | GT | 153 | GT | GPA | Switching | DR | 154 | TS | GPA | General Use | DR | 155 | TS | GPA | General Use | TS | 161 | TS | GMA | AF Amplifier | TS | 162 | TS | GMA | General Use | TS | 163 | TS | GPA | AF Amplifier | TS | 164 | TS | GPA | AF Amplifier | TS | 165 | TS | GPA | AF Amplifier | TS | 166 | TS | GPA | AF Amplifier | GT | 167 | GTC | GPA | Switching | TS | 176 | TS | GPA | AF Power Amp | 200 | TI | GNG | GPA | General Use | 201 | TI | GNG | GPA | General Use | 202 | TI | GNG | GPA | General Use | 206 | TI | GNG | GPA | AF Amplifier | 207 | TI | GNG | GPA | AF Amplifier | 208 | TI | GNG | GPA | AF Amplifier | GT | 210 | GTC | GPA | Switching | 210 | TI | GNG | GPA | AF Amplifier | 220 | TI | GNG | GPA | AF Amplifier | 221 | TI | GNG | GPA | IF Amplifier | GT | 222 | GTC | GPA | General Use | 222 | TI | GNG | GPA | IF Amplifier | 223 | TI | GNG | GPA | Converter | 224 | TI | GNG | GPA | Detector | 225 | TI | GNG | GPA | IF Amplifier | 227 | TI | GNG | GPA | IF Amplifier | 228 | TI | GNG | GPA | Detector | GT | 229 | GTC | GNA | AF Amplifier | 234 | TI | CNA | IF Amplifier | IF Amplifier | 235 | TI | GNA | GPA | Converter | GT | 269 | GTC | GPA | RF Amplifier | 301 | TI | GPA | AF Amplifier | AF Amplifier | 302 | TI | GPA | AF Amplifier | AF Amplifier | 310 | TI | GPA | AF Amplifier | AF Amplifier | 310 | TI | GPA | AF Amplifier | AF Amplifier | | | | | | | | | | | | | | | | | | | | | | | | | | | | | | | | | | | | | | | | | | | | | | | | | | | | | | | | | | | | | | | | | | | | | | | | | | | | | | | | | | | | | | | | | | | | | | | | | | | | | | | | | | | | | | | | | | | | | | | | | | | | | | | | | | | | | | | | | | | | | | | | | | | | | | | | | | | | | | | | | | | | | | | | | | | | | | | | | | | | | | | | | | | | | | | | | | | | | | | | | | | | | | | | | | | | | | | | | | | | | | | | | | | | | | | | | | | | | | | | | | | | | | | | | | | | | | | | | | | | | | | | | | | | | | | | | | | | | | | | | | | | | | | | | | | | | | | | | | | | | | | | | | | | | | | | | | | | | | | | | | | | | | | | | | | | | | | | | | | | | | | | | | | | | | | | | | | | | | | | | | | | | | | | | | | | | | | | | | | | | | | | | | | | | | | | | | | | | | | | | | | | | | | | | | | | | | | | | | | | | | | | | | | | | | | | | | | | | | | | | | | | | | | | | | | | | | | | | | | | | | | | | | | | | | | | | | | | | | | | | | | | | | | | | | | | | | | | | | | | | | | | | | | | | | | | | | | | | | | | | | | | | | | | | | | | | | | | | | | | | | | | | | | | | | | | | | | | | | | | | | | | | | | | | | | | | | | | | | | | | | | | | | | | | | | | | | | | | | | | | | | | | | | | | | | | | | | | | | | | | | | | | | | | | | | | | | | | | | | | | | | | | | | | | | | | | | | | | | | | | | | | | | | | | | | | | | | | | | | | | | | | | | | | | | | | | | | | | | | | | | | | | | | | | | | | | | | | | | | | | | | | | | | | | | | | | | | | | | | | | | | | | | | | | | | | | | | | | | | | | | | | | | | | | | | | | | | | | | | | | | | | | | | | | | | | | | | | | | | | | | | | | | | | | | | | | | | |
| DR | 130 | TS | GPA | General Use | DR | 131 | TS | GPA | General Use | DR | 132 | TS | GPA | General Use | DR | 139 | TS | GPA | General Use | DR | 147 | TS | GPA | AF Power Amp | GT | 153 | GT | GPA | Switching | DR | 154 | TS | GPA | General Use | DR | 155 | TS | GPA | General Use | TS | 161 | TS | GMA | AF Amplifier | TS | 162 | TS | GMA | General Use | TS | 163 | TS | GPA | AF Amplifier | TS | 164 | TS | GPA | AF Amplifier | TS | 165 | TS | GPA | AF Amplifier | TS | 166 | TS | GPA | AF Amplifier | GT | 167 | GTC | GPA | Switching | TS | 176 | TS | GPA | AF Power Amp | 200 | TI | GNG | GPA | General Use | 201 | TI | GNG | GPA | General Use | 202 | TI | GNG | GPA | General Use | 206 | TI | GNG | GPA | AF Amplifier | 207 | TI | GNG | GPA | AF Amplifier | 208 | TI | GNG | GPA | AF Amplifier | GT | 210 | GTC | GPA | Switching | 210 | TI | GNG | GPA | AF Amplifier | 220 | TI | GNG | GPA | AF Amplifier | 221 | TI | GNG | GPA | IF Amplifier | GT | 222 | GTC | GPA | General Use | 222 | TI | GNG | GPA | IF Amplifier | 223 | TI | GNG | GPA | Converter | 224 | TI | GNG | GPA | Detector | 225 | TI | GNG | GPA | IF Amplifier | 227 | TI | GNG | GPA | IF Amplifier | 228 | TI | GNG | GPA | Detector | GT | 229 | GTC | GNA | AF Amplifier | 234 | TI | CNA | IF Amplifier | IF Amplifier | 235 | TI | GNA | GPA | Converter | GT | 269 | GTC | GPA | RF Amplifier | 301 | TI | GPA | AF Amplifier | AF Amplifier | 302 | TI | GPA | AF Amplifier | AF Amplifier | 310 | TI | GPA | AF Amplifier | AF Amplifier | 310 | TI | GPA | AF Amplifier | AF Amplifier | | | | | | | | | | | | | | | | | | | | | | | | | | | | | | | | | | | | | | | | | | | | | | | | | | | | | | | | | | | | | | | | | | | | | | | | | | | | | | | | | | | | | | | | | | | | | | | | | | | | | | | | | | | | | | | | | | | | | | | | | | | | | | | | | | | | | | | | | | | | | | | | | | | | | | | | | | | | | | | | | | | | | | | | | | | | | | | | | | | | | | | | | | | | | | | | | | | | | | | | | | | | | | | | | | | | | | | | | | | | | | | | | | | | | | | | | | | | | | | | | | | | | | | | | | | | | | | | | | | | | | | | | | | | | | | | | | | | | | | | | | | | | | | | | | | | | | | | | | | | | | | | | | | | | | | | | | | | | | | | | | | | | | | | | | | | | | | | | | | | | | | | | | | | | | | | | | | | | | | | | | | | | | | | | | | | | | | | | | | | | | | | | | | | | | | | | | | | | | | | | | | | | | | | | | | | | | | | | | | | | | | | | | | | | | | | | | | | | | | | | | | | | | | | | | | | | | | | | | | | | | | | | | | | | | | | | | | | | | | | | | | | | | | | | | | | | | | | | | | | | | | | | | | | | | | | | | | | | | | | | | | | | | | | | | | | | | | | | | | | | | | | | | | | | | | | | | | | | | | | | | | | | | | | | | | | | | | | | | | | | | | | | | | | | | | | | | | | | | | | | | | | | | | | | | | | | | | | | | | | | | | | | | | | | | | | | | | | | | | | | | | | | | | | | | | | | | | | | | | | | | | | | | | | | | | | | | | | | | | | | | | | | | | | | | | | | | | | | | | | | | | | | | | | | | | | | | | | | | | | | | | | | | | | | | | | | | | | | | | | | | | | | | | | | | | | | | | | | | | | | | | | | | | | | | | | | | | | | | | | | | | | | | | | | | | | | | | | | | | | | | | | | | | | | | | | | | | | | | | | |
| DR | 131 | TS | GPA | General Use | DR | 132 | TS | GPA | General Use | DR | 139 | TS | GPA | General Use | DR | 147 | TS | GPA | AF Power Amp | GT | 153 | GT | GPA | Switching | DR | 154 | TS | GPA | General Use | DR | 155 | TS | GPA | General Use | TS | 161 | TS | GMA | AF Amplifier | TS | 162 | TS | GMA | General Use | TS | 163 | TS | GPA | AF Amplifier | TS | 164 | TS | GPA | AF Amplifier | TS | 165 | TS | GPA | AF Amplifier | TS | 166 | TS | GPA | AF Amplifier | GT | 167 | GTC | GPA | Switching | TS | 176 | TS | GPA | AF Power Amp | 200 | TI | GNG | GPA | General Use | 201 | TI | GNG | GPA | General Use | 202 | TI | GNG | GPA | General Use | 206 | TI | GNG | GPA | AF Amplifier | 207 | TI | GNG | GPA | AF Amplifier | 208 | TI | GNG | GPA | AF Amplifier | GT | 210 | GTC | GPA | Switching | 210 | TI | GNG | GPA | AF Amplifier | 220 | TI | GNG | GPA | AF Amplifier | 221 | TI | GNG | GPA | IF Amplifier | GT | 222 | GTC | GPA | General Use | 222 | TI | GNG | GPA | IF Amplifier | 223 | TI | GNG | GPA | Converter | 224 | TI | GNG | GPA | Detector | 225 | TI | GNG | GPA | IF Amplifier | 227 | TI | GNG | GPA | IF Amplifier | 228 | TI | GNG | GPA | Detector | GT | 229 | GTC | GNA | AF Amplifier | 234 | TI | CNA | IF Amplifier | IF Amplifier | 235 | TI | GNA | GPA | Converter | GT | 269 | GTC | GPA | RF Amplifier | 301 | TI | GPA | AF Amplifier | AF Amplifier | 302 | TI | GPA | AF Amplifier | AF Amplifier | 310 | TI | GPA | AF Amplifier | AF Amplifier | 310 | TI | GPA | AF Amplifier | AF Amplifier | | | | | | | | | | | | | | | | | | | | | | | | | | | | | | | | | | | | | | | | | | | | | | | | | | | | | | | | | | | | | | | | | | | | | | | | | | | | | | | | | | | | | | | | | | | | | | | | | | | | | | | | | | | | | | | | | | | | | | | | | | | | | | | | | | | | | | | | | | | | | | | | | | | | | | | | | | | | | | | | | | | | | | | | | | | | | | | | | | | | | | | | | | | | | | | | | | | | | | | | | | | | | | | | | | | | | | | | | | | | | | | | | | | | | | | | | | | | | | | | | | | | | | | | | | | | | | | | | | | | | | | | | | | | | | | | | | | | | | | | | | | | | | | | | | | | | | | | | | | | | | | | | | | | | | | | | | | | | | | | | | | | | | | | | | | | | | | | | | | | | | | | | | | | | | | | | | | | | | | | | | | | | | | | | | | | | | | | | | | | | | | | | | | | | | | | | | | | | | | | | | | | | | | | | | | | | | | | | | | | | | | | | | | | | | | | | | | | | | | | | | | | | | | | | | | | | | | | | | | | | | | | | | | | | | | | | | | | | | | | | | | | | | | | | | | | | | | | | | | | | | | | | | | | | | | | | | | | | | | | | | | | | | | | | | | | | | | | | | | | | | | | | | | | | | | | | | | | | | | | | | | | | | | | | | | | | | | | | | | | | | | | | | | | | | | | | | | | | | | | | | | | | | | | | | | | | | | | | | | | | | | | | | | | | | | | | | | | | | | | | | | | | | | | | | | | | | | | | | | | | | | | | | | | | | | | | | | | | | | | | | | | | | | | | | | | | | | | | | | | | | | | | | | | | | | | | | | | | | | | | | | | | | | | | | | | | | | | | | | | | | | | | | | | | | | | | | | | | | | | | | | | | | | | | | | | | | | | | | | | | | | | | | | | | | | | | | | | | | | | | | | | | | | | | | | | | | | | | | | | | | | | | |
| DR | 132 | TS | GPA | General Use | DR | 139 | TS | GPA | General Use | DR | 147 | TS | GPA | AF Power Amp | GT | 153 | GT | GPA | Switching | DR | 154 | TS | GPA | General Use | DR | 155 | TS | GPA | General Use | TS | 161 | TS | GMA | AF Amplifier | TS | 162 | TS | GMA | General Use | TS | 163 | TS | GPA | AF Amplifier | TS | 164 | TS | GPA | AF Amplifier | TS | 165 | TS | GPA | AF Amplifier | TS | 166 | TS | GPA | AF Amplifier | GT | 167 | GTC | GPA | Switching | TS | 176 | TS | GPA | AF Power Amp | 200 | TI | GNG | GPA | General Use | 201 | TI | GNG | GPA | General Use | 202 | TI | GNG | GPA | General Use | 206 | TI | GNG | GPA | AF Amplifier | 207 | TI | GNG | GPA | AF Amplifier | 208 | TI | GNG | GPA | AF Amplifier | GT | 210 | GTC | GPA | Switching | 210 | TI | GNG | GPA | AF Amplifier | 220 | TI | GNG | GPA | AF Amplifier | 221 | TI | GNG | GPA | IF Amplifier | GT | 222 | GTC | GPA | General Use | 222 | TI | GNG | GPA | IF Amplifier | 223 | TI | GNG | GPA | Converter | 224 | TI | GNG | GPA | Detector | 225 | TI | GNG | GPA | IF Amplifier | 227 | TI | GNG | GPA | IF Amplifier | 228 | TI | GNG | GPA | Detector | GT | 229 | GTC | GNA | AF Amplifier | 234 | TI | CNA | IF Amplifier | IF Amplifier | 235 | TI | GNA | GPA | Converter | GT | 269 | GTC | GPA | RF Amplifier | 301 | TI | GPA | AF Amplifier | AF Amplifier | 302 | TI | GPA | AF Amplifier | AF Amplifier | 310 | TI | GPA | AF Amplifier | AF Amplifier | 310 | TI | GPA | AF Amplifier | AF Amplifier | | | | | | | | | | | | | | | | | | | | | | | | | | | | | | | | | | | | | | | | | | | | | | | | | | | | | | | | | | | | | | | | | | | | | | | | | | | | | | | | | | | | | | | | | | | | | | | | | | | | | | | | | | | | | | | | | | | | | | | | | | | | | | | | | | | | | | | | | | | | | | | | | | | | | | | | | | | | | | | | | | | | | | | | | | | | | | | | | | | | | | | | | | | | | | | | | | | | | | | | | | | | | | | | | | | | | | | | | | | | | | | | | | | | | | | | | | | | | | | | | | | | | | | | | | | | | | | | | | | | | | | | | | | | | | | | | | | | | | | | | | | | | | | | | | | | | | | | | | | | | | | | | | | | | | | | | | | | | | | | | | | | | | | | | | | | | | | | | | | | | | | | | | | | | | | | | | | | | | | | | | | | | | | | | | | | | | | | | | | | | | | | | | | | | | | | | | | | | | | | | | | | | | | | | | | | | | | | | | | | | | | | | | | | | | | | | | | | | | | | | | | | | | | | | | | | | | | | | | | | | | | | | | | | | | | | | | | | | | | | | | | | | | | | | | | | | | | | | | | | | | | | | | | | | | | | | | | | | | | | | | | | | | | | | | | | | | | | | | | | | | | | | | | | | | | | | | | | | | | | | | | | | | | | | | | | | | | | | | | | | | | | | | | | | | | | | | | | | | | | | | | | | | | | | | | | | | | | | | | | | | | | | | | | | | | | | | | | | | | | | | | | | | | | | | | | | | | | | | | | | | | | | | | | | | | | | | | | | | | | | | | | | | | | | | | | | | | | | | | | | | | | | | | | | | | | | | | | | | | | | | | | | | | | | | | | | | | | | | | | | | | | | | | | | | | | | | | | | | | | | | | | | | | | | | | | | | | | | | | | | | | | | | | | | | | | | | | | | | | | | | | | | | | | | | | | | | | | | | | | | | | | | | | | | | |
| DR | 139 | TS | GPA | General Use | DR | 147 | TS | GPA | AF Power Amp | GT | 153 | GT | GPA | Switching | DR | 154 | TS | GPA | General Use | DR | 155 | TS | GPA | General Use | TS | 161 | TS | GMA | AF Amplifier | TS | 162 | TS | GMA | General Use | TS | 163 | TS | GPA | AF Amplifier | TS | 164 | TS | GPA | AF Amplifier | TS | 165 | TS | GPA | AF Amplifier | TS | 166 | TS | GPA | AF Amplifier | GT | 167 | GTC | GPA | Switching | TS | 176 | TS | GPA | AF Power Amp | 200 | TI | GNG | GPA | General Use | 201 | TI | GNG | GPA | General Use | 202 | TI | GNG | GPA | General Use | 206 | TI | GNG | GPA | AF Amplifier | 207 | TI | GNG | GPA | AF Amplifier | 208 | TI | GNG | GPA | AF Amplifier | GT | 210 | GTC | GPA | Switching | 210 | TI | GNG | GPA | AF Amplifier | 220 | TI | GNG | GPA | AF Amplifier | 221 | TI | GNG | GPA | IF Amplifier | GT | 222 | GTC | GPA | General Use | 222 | TI | GNG | GPA | IF Amplifier | 223 | TI | GNG | GPA | Converter | 224 | TI | GNG | GPA | Detector | 225 | TI | GNG | GPA | IF Amplifier | 227 | TI | GNG | GPA | IF Amplifier | 228 | TI | GNG | GPA | Detector | GT | 229 | GTC | GNA | AF Amplifier | 234 | TI | CNA | IF Amplifier | IF Amplifier | 235 | TI | GNA | GPA | Converter | GT | 269 | GTC | GPA | RF Amplifier | 301 | TI | GPA | AF Amplifier | AF Amplifier | 302 | TI | GPA | AF Amplifier | AF Amplifier | 310 | TI | GPA | AF Amplifier | AF Amplifier | 310 | TI | GPA | AF Amplifier | AF Amplifier | | | | | | | | | | | | | | | | | | | | | | | | | | | | | | | | | | | | | | | | | | | | | | | | | | | | | | | | | | | | | | | | | | | | | | | | | | | | | | | | | | | | | | | | | | | | | | | | | | | | | | | | | | | | | | | | | | | | | | | | | | | | | | | | | | | | | | | | | | | | | | | | | | | | | | | | | | | | | | | | | | | | | | | | | | | | | | | | | | | | | | | | | | | | | | | | | | | | | | | | | | | | | | | | | | | | | | | | | | | | | | | | | | | | | | | | | | | | | | | | | | | | | | | | | | | | | | | | | | | | | | | | | | | | | | | | | | | | | | | | | | | | | | | | | | | | | | | | | | | | | | | | | | | | | | | | | | | | | | | | | | | | | | | | | | | | | | | | | | | | | | | | | | | | | | | | | | | | | | | | | | | | | | | | | | | | | | | | | | | | | | | | | | | | | | | | | | | | | | | | | | | | | | | | | | | | | | | | | | | | | | | | | | | | | | | | | | | | | | | | | | | | | | | | | | | | | | | | | | | | | | | | | | | | | | | | | | | | | | | | | | | | | | | | | | | | | | | | | | | | | | | | | | | | | | | | | | | | | | | | | | | | | | | | | | | | | | | | | | | | | | | | | | | | | | | | | | | | | | | | | | | | | | | | | | | | | | | | | | | | | | | | | | | | | | | | | | | | | | | | | | | | | | | | | | | | | | | | | | | | | | | | | | | | | | | | | | | | | | | | | | | | | | | | | | | | | | | | | | | | | | | | | | | | | | | | | | | | | | | | | | | | | | | | | | | | | | | | | | | | | | | | | | | | | | | | | | | | | | | | | | | | | | | | | | | | | | | | | | | | | | | | | | | | | | | | | | | | | | | | | | | | | | | | | | | | | | | | | | | | | | | | | | | | | | | | | | | | | | | | | | | | | | | | | | | | | | | | | | | | | | | | | | | | | | | | | | | |
| DR | 147 | TS | GPA | AF Power Amp | GT | 153 | GT | GPA | Switching | DR | 154 | TS | GPA | General Use | DR | 155 | TS | GPA | General Use | TS | 161 | TS | GMA | AF Amplifier | TS | 162 | TS | GMA | General Use | TS | 163 | TS | GPA | AF Amplifier | TS | 164 | TS | GPA | AF Amplifier | TS | 165 | TS | GPA | AF Amplifier | TS | 166 | TS | GPA | AF Amplifier | GT | 167 | GTC | GPA | Switching | TS | 176 | TS | GPA | AF Power Amp | 200 | TI | GNG | GPA | General Use | 201 | TI | GNG | GPA | General Use | 202 | TI | GNG | GPA | General Use | 206 | TI | GNG | GPA | AF Amplifier | 207 | TI | GNG | GPA | AF Amplifier | 208 | TI | GNG | GPA | AF Amplifier | GT | 210 | GTC | GPA | Switching | 210 | TI | GNG | GPA | AF Amplifier | 220 | TI | GNG | GPA | AF Amplifier | 221 | TI | GNG | GPA | IF Amplifier | GT | 222 | GTC | GPA | General Use | 222 | TI | GNG | GPA | IF Amplifier | 223 | TI | GNG | GPA | Converter | 224 | TI | GNG | GPA | Detector | 225 | TI | GNG | GPA | IF Amplifier | 227 | TI | GNG | GPA | IF Amplifier | 228 | TI | GNG | GPA | Detector | GT | 229 | GTC | GNA | AF Amplifier | 234 | TI | CNA | IF Amplifier | IF Amplifier | 235 | TI | GNA | GPA | Converter | GT | 269 | GTC | GPA | RF Amplifier | 301 | TI | GPA | AF Amplifier | AF Amplifier | 302 | TI | GPA | AF Amplifier | AF Amplifier | 310 | TI | GPA | AF Amplifier | AF Amplifier | 310 | TI | GPA | AF Amplifier | AF Amplifier | | | | | | | | | | | | | | | | | | | | | | | | | | | | | | | | | | | | | | | | | | | | | | | | | | | | | | | | | | | | | | | | | | | | | | | | | | | | | | | | | | | | | | | | | | | | | | | | | | | | | | | | | | | | | | | | | | | | | | | | | | | | | | | | | | | | | | | | | | | | | | | | | | | | | | | | | | | | | | | | | | | | | | | | | | | | | | | | | | | | | | | | | | | | | | | | | | | | | | | | | | | | | | | | | | | | | | | | | | | | | | | | | | | | | | | | | | | | | | | | | | | | | | | | | | | | | | | | | | | | | | | | | | | | | | | | | | | | | | | | | | | | | | | | | | | | | | | | | | | | | | | | | | | | | | | | | | | | | | | | | | | | | | | | | | | | | | | | | | | | | | | | | | | | | | | | | | | | | | | | | | | | | | | | | | | | | | | | | | | | | | | | | | | | | | | | | | | | | | | | | | | | | | | | | | | | | | | | | | | | | | | | | | | | | | | | | | | | | | | | | | | | | | | | | | | | | | | | | | | | | | | | | | | | | | | | | | | | | | | | | | | | | | | | | | | | | | | | | | | | | | | | | | | | | | | | | | | | | | | | | | | | | | | | | | | | | | | | | | | | | | | | | | | | | | | | | | | | | | | | | | | | | | | | | | | | | | | | | | | | | | | | | | | | | | | | | | | | | | | | | | | | | | | | | | | | | | | | | | | | | | | | | | | | | | | | | | | | | | | | | | | | | | | | | | | | | | | | | | | | | | | | | | | | | | | | | | | | | | | | | | | | | | | | | | | | | | | | | | | | | | | | | | | | | | | | | | | | | | | | | | | | | | | | | | | | | | | | | | | | | | | | | | | | | | | | | | | | | | | | | | | | | | | | | | | | | | | | | | | | | | | | | | | | | | | | | | | | | | | | | | | | | | | | | | | | | | | | | | | | | | | | | | | | | | | | | | | | | | | | |
| GT | 153 | GT | GPA | Switching | DR | 154 | TS | GPA | General Use | DR | 155 | TS | GPA | General Use | TS | 161 | TS | GMA | AF Amplifier | TS | 162 | TS | GMA | General Use | TS | 163 | TS | GPA | AF Amplifier | TS | 164 | TS | GPA | AF Amplifier | TS | 165 | TS | GPA | AF Amplifier | TS | 166 | TS | GPA | AF Amplifier | GT | 167 | GTC | GPA | Switching | TS | 176 | TS | GPA | AF Power Amp | 200 | TI | GNG | GPA | General Use | 201 | TI | GNG | GPA | General Use | 202 | TI | GNG | GPA | General Use | 206 | TI | GNG | GPA | AF Amplifier | 207 | TI | GNG | GPA | AF Amplifier | 208 | TI | GNG | GPA | AF Amplifier | GT | 210 | GTC | GPA | Switching | 210 | TI | GNG | GPA | AF Amplifier | 220 | TI | GNG | GPA | AF Amplifier | 221 | TI | GNG | GPA | IF Amplifier | GT | 222 | GTC | GPA | General Use | 222 | TI | GNG | GPA | IF Amplifier | 223 | TI | GNG | GPA | Converter | 224 | TI | GNG | GPA | Detector | 225 | TI | GNG | GPA | IF Amplifier | 227 | TI | GNG | GPA | IF Amplifier | 228 | TI | GNG | GPA | Detector | GT | 229 | GTC | GNA | AF Amplifier | 234 | TI | CNA | IF Amplifier | IF Amplifier | 235 | TI | GNA | GPA | Converter | GT | 269 | GTC | GPA | RF Amplifier | 301 | TI | GPA | AF Amplifier | AF Amplifier | 302 | TI | GPA | AF Amplifier | AF Amplifier | 310 | TI | GPA | AF Amplifier | AF Amplifier | 310 | TI | GPA | AF Amplifier | AF Amplifier | | | | | | | | | | | | | | | | | | | | | | | | | | | | | | | | | | | | | | | | | | | | | | | | | | | | | | | | | | | | | | | | | | | | | | | | | | | | | | | | | | | | | | | | | | | | | | | | | | | | | | | | | | | | | | | | | | | | | | | | | | | | | | | | | | | | | | | | | | | | | | | | | | | | | | | | | | | | | | | | | | | | | | | | | | | | | | | | | | | | | | | | | | | | | | | | | | | | | | | | | | | | | | | | | | | | | | | | | | | | | | | | | | | | | | | | | | | | | | | | | | | | | | | | | | | | | | | | | | | | | | | | | | | | | | | | | | | | | | | | | | | | | | | | | | | | | | | | | | | | | | | | | | | | | | | | | | | | | | | | | | | | | | | | | | | | | | | | | | | | | | | | | | | | | | | | | | | | | | | | | | | | | | | | | | | | | | | | | | | | | | | | | | | | | | | | | | | | | | | | | | | | | | | | | | | | | | | | | | | | | | | | | | | | | | | | | | | | | | | | | | | | | | | | | | | | | | | | | | | | | | | | | | | | | | | | | | | | | | | | | | | | | | | | | | | | | | | | | | | | | | | | | | | | | | | | | | | | | | | | | | | | | | | | | | | | | | | | | | | | | | | | | | | | | | | | | | | | | | | | | | | | | | | | | | | | | | | | | | | | | | | | | | | | | | | | | | | | | | | | | | | | | | | | | | | | | | | | | | | | | | | | | | | | | | | | | | | | | | | | | | | | | | | | | | | | | | | | | | | | | | | | | | | | | | | | | | | | | | | | | | | | | | | | | | | | | | | | | | | | | | | | | | | | | | | | | | | | | | | | | | | | | | | | | | | | | | | | | | | | | | | | | | | | | | | | | | | | | | | | | | | | | | | | | | | | | | | | | | | | | | | | | | | | | | | | | | | | | | | | | | | | | | | | | | | | | | | | | | | | | | | | | | | | | | | | | | | | | | | | | | | | | |
| DR | 154 | TS | GPA | General Use | DR | 155 | TS | GPA | General Use | TS | 161 | TS | GMA | AF Amplifier | TS | 162 | TS | GMA | General Use | TS | 163 | TS | GPA | AF Amplifier | TS | 164 | TS | GPA | AF Amplifier | TS | 165 | TS | GPA | AF Amplifier | TS | 166 | TS | GPA | AF Amplifier | GT | 167 | GTC | GPA | Switching | TS | 176 | TS | GPA | AF Power Amp | 200 | TI | GNG | GPA | General Use | 201 | TI | GNG | GPA | General Use | 202 | TI | GNG | GPA | General Use | 206 | TI | GNG | GPA | AF Amplifier | 207 | TI | GNG | GPA | AF Amplifier | 208 | TI | GNG | GPA | AF Amplifier | GT | 210 | GTC | GPA | Switching | 210 | TI | GNG | GPA | AF Amplifier | 220 | TI | GNG | GPA | AF Amplifier | 221 | TI | GNG | GPA | IF Amplifier | GT | 222 | GTC | GPA | General Use | 222 | TI | GNG | GPA | IF Amplifier | 223 | TI | GNG | GPA | Converter | 224 | TI | GNG | GPA | Detector | 225 | TI | GNG | GPA | IF Amplifier | 227 | TI | GNG | GPA | IF Amplifier | 228 | TI | GNG | GPA | Detector | GT | 229 | GTC | GNA | AF Amplifier | 234 | TI | CNA | IF Amplifier | IF Amplifier | 235 | TI | GNA | GPA | Converter | GT | 269 | GTC | GPA | RF Amplifier | 301 | TI | GPA | AF Amplifier | AF Amplifier | 302 | TI | GPA | AF Amplifier | AF Amplifier | 310 | TI | GPA | AF Amplifier | AF Amplifier | 310 | TI | GPA | AF Amplifier | AF Amplifier | | | | | | | | | | | | | | | | | | | | | | | | | | | | | | | | | | | | | | | | | | | | | | | | | | | | | | | | | | | | | | | | | | | | | | | | | | | | | | | | | | | | | | | | | | | | | | | | | | | | | | | | | | | | | | | | | | | | | | | | | | | | | | | | | | | | | | | | | | | | | | | | | | | | | | | | | | | | | | | | | | | | | | | | | | | | | | | | | | | | | | | | | | | | | | | | | | | | | | | | | | | | | | | | | | | | | | | | | | | | | | | | | | | | | | | | | | | | | | | | | | | | | | | | | | | | | | | | | | | | | | | | | | | | | | | | | | | | | | | | | | | | | | | | | | | | | | | | | | | | | | | | | | | | | | | | | | | | | | | | | | | | | | | | | | | | | | | | | | | | | | | | | | | | | | | | | | | | | | | | | | | | | | | | | | | | | | | | | | | | | | | | | | | | | | | | | | | | | | | | | | | | | | | | | | | | | | | | | | | | | | | | | | | | | | | | | | | | | | | | | | | | | | | | | | | | | | | | | | | | | | | | | | | | | | | | | | | | | | | | | | | | | | | | | | | | | | | | | | | | | | | | | | | | | | | | | | | | | | | | | | | | | | | | | | | | | | | | | | | | | | | | | | | | | | | | | | | | | | | | | | | | | | | | | | | | | | | | | | | | | | | | | | | | | | | | | | | | | | | | | | | | | | | | | | | | | | | | | | | | | | | | | | | | | | | | | | | | | | | | | | | | | | | | | | | | | | | | | | | | | | | | | | | | | | | | | | | | | | | | | | | | | | | | | | | | | | | | | | | | | | | | | | | | | | | | | | | | | | | | | | | | | | | | | | | | | | | | | | | | | | | | | | | | | | | | | | | | | | | | | | | | | | | | | | | | | | | | | | | | | | | | | | | | | | | | | | | | | | | | | | | | | | | | | | | | | | | | | | | | | | | | | | | | | | | | | | | | | | | | | | | | | | | | | | |
| DR | 155 | TS | GPA | General Use | TS | 161 | TS | GMA | AF Amplifier | TS | 162 | TS | GMA | General Use | TS | 163 | TS | GPA | AF Amplifier | TS | 164 | TS | GPA | AF Amplifier | TS | 165 | TS | GPA | AF Amplifier | TS | 166 | TS | GPA | AF Amplifier | GT | 167 | GTC | GPA | Switching | TS | 176 | TS | GPA | AF Power Amp | 200 | TI | GNG | GPA | General Use | 201 | TI | GNG | GPA | General Use | 202 | TI | GNG | GPA | General Use | 206 | TI | GNG | GPA | AF Amplifier | 207 | TI | GNG | GPA | AF Amplifier | 208 | TI | GNG | GPA | AF Amplifier | GT | 210 | GTC | GPA | Switching | 210 | TI | GNG | GPA | AF Amplifier | 220 | TI | GNG | GPA | AF Amplifier | 221 | TI | GNG | GPA | IF Amplifier | GT | 222 | GTC | GPA | General Use | 222 | TI | GNG | GPA | IF Amplifier | 223 | TI | GNG | GPA | Converter | 224 | TI | GNG | GPA | Detector | 225 | TI | GNG | GPA | IF Amplifier | 227 | TI | GNG | GPA | IF Amplifier | 228 | TI | GNG | GPA | Detector | GT | 229 | GTC | GNA | AF Amplifier | 234 | TI | CNA | IF Amplifier | IF Amplifier | 235 | TI | GNA | GPA | Converter | GT | 269 | GTC | GPA | RF Amplifier | 301 | TI | GPA | AF Amplifier | AF Amplifier | 302 | TI | GPA | AF Amplifier | AF Amplifier | 310 | TI | GPA | AF Amplifier | AF Amplifier | 310 | TI | GPA | AF Amplifier | AF Amplifier | | | | | | | | | | | | | | | | | | | | | | | | | | | | | | | | | | | | | | | | | | | | | | | | | | | | | | | | | | | | | | | | | | | | | | | | | | | | | | | | | | | | | | | | | | | | | | | | | | | | | | | | | | | | | | | | | | | | | | | | | | | | | | | | | | | | | | | | | | | | | | | | | | | | | | | | | | | | | | | | | | | | | | | | | | | | | | | | | | | | | | | | | | | | | | | | | | | | | | | | | | | | | | | | | | | | | | | | | | | | | | | | | | | | | | | | | | | | | | | | | | | | | | | | | | | | | | | | | | | | | | | | | | | | | | | | | | | | | | | | | | | | | | | | | | | | | | | | | | | | | | | | | | | | | | | | | | | | | | | | | | | | | | | | | | | | | | | | | | | | | | | | | | | | | | | | | | | | | | | | | | | | | | | | | | | | | | | | | | | | | | | | | | | | | | | | | | | | | | | | | | | | | | | | | | | | | | | | | | | | | | | | | | | | | | | | | | | | | | | | | | | | | | | | | | | | | | | | | | | | | | | | | | | | | | | | | | | | | | | | | | | | | | | | | | | | | | | | | | | | | | | | | | | | | | | | | | | | | | | | | | | | | | | | | | | | | | | | | | | | | | | | | | | | | | | | | | | | | | | | | | | | | | | | | | | | | | | | | | | | | | | | | | | | | | | | | | | | | | | | | | | | | | | | | | | | | | | | | | | | | | | | | | | | | | | | | | | | | | | | | | | | | | | | | | | | | | | | | | | | | | | | | | | | | | | | | | | | | | | | | | | | | | | | | | | | | | | | | | | | | | | | | | | | | | | | | | | | | | | | | | | | | | | | | | | | | | | | | | | | | | | | | | | | | | | | | | | | | | | | | | | | | | | | | | | | | | | | | | | | | | | | | | | | | | | | | | | | | | | | | | | | | | | | | | | | | | | | | | | | | | | | | | | | | | | | | | | | | | | | | | | | | | | | | | | | | | | |
| TS | 161 | TS | GMA | AF Amplifier | TS | 162 | TS | GMA | General Use | TS | 163 | TS | GPA | AF Amplifier | TS | 164 | TS | GPA | AF Amplifier | TS | 165 | TS | GPA | AF Amplifier | TS | 166 | TS | GPA | AF Amplifier | GT | 167 | GTC | GPA | Switching | TS | 176 | TS | GPA | AF Power Amp | 200 | TI | GNG | GPA | General Use | 201 | TI | GNG | GPA | General Use | 202 | TI | GNG | GPA | General Use | 206 | TI | GNG | GPA | AF Amplifier | 207 | TI | GNG | GPA | AF Amplifier | 208 | TI | GNG | GPA | AF Amplifier | GT | 210 | GTC | GPA | Switching | 210 | TI | GNG | GPA | AF Amplifier | 220 | TI | GNG | GPA | AF Amplifier | 221 | TI | GNG | GPA | IF Amplifier | GT | 222 | GTC | GPA | General Use | 222 | TI | GNG | GPA | IF Amplifier | 223 | TI | GNG | GPA | Converter | 224 | TI | GNG | GPA | Detector | 225 | TI | GNG | GPA | IF Amplifier | 227 | TI | GNG | GPA | IF Amplifier | 228 | TI | GNG | GPA | Detector | GT | 229 | GTC | GNA | AF Amplifier | 234 | TI | CNA | IF Amplifier | IF Amplifier | 235 | TI | GNA | GPA | Converter | GT | 269 | GTC | GPA | RF Amplifier | 301 | TI | GPA | AF Amplifier | AF Amplifier | 302 | TI | GPA | AF Amplifier | AF Amplifier | 310 | TI | GPA | AF Amplifier | AF Amplifier | 310 | TI | GPA | AF Amplifier | AF Amplifier | | | | | | | | | | | | | | | | | | | | | | | | | | | | | | | | | | | | | | | | | | | | | | | | | | | | | | | | | | | | | | | | | | | | | | | | | | | | | | | | | | | | | | | | | | | | | | | | | | | | | | | | | | | | | | | | | | | | | | | | | | | | | | | | | | | | | | | | | | | | | | | | | | | | | | | | | | | | | | | | | | | | | | | | | | | | | | | | | | | | | | | | | | | | | | | | | | | | | | | | | | | | | | | | | | | | | | | | | | | | | | | | | | | | | | | | | | | | | | | | | | | | | | | | | | | | | | | | | | | | | | | | | | | | | | | | | | | | | | | | | | | | | | | | | | | | | | | | | | | | | | | | | | | | | | | | | | | | | | | | | | | | | | | | | | | | | | | | | | | | | | | | | | | | | | | | | | | | | | | | | | | | | | | | | | | | | | | | | | | | | | | | | | | | | | | | | | | | | | | | | | | | | | | | | | | | | | | | | | | | | | | | | | | | | | | | | | | | | | | | | | | | | | | | | | | | | | | | | | | | | | | | | | | | | | | | | | | | | | | | | | | | | | | | | | | | | | | | | | | | | | | | | | | | | | | | | | | | | | | | | | | | | | | | | | | | | | | | | | | | | | | | | | | | | | | | | | | | | | | | | | | | | | | | | | | | | | | | | | | | | | | | | | | | | | | | | | | | | | | | | | | | | | | | | | | | | | | | | | | | | | | | | | | | | | | | | | | | | | | | | | | | | | | | | | | | | | | | | | | | | | | | | | | | | | | | | | | | | | | | | | | | | | | | | | | | | | | | | | | | | | | | | | | | | | | | | | | | | | | | | | | | | | | | | | | | | | | | | | | | | | | | | | | | | | | | | | | | | | | | | | | | | | | | | | | | | | | | | | | | | | | | | | | | | | | | | | | | | | | | | | | | | | | | | | | | | | | | | | | | | | | | | | | | | | | | | | | | | | | | | | | | | | | | | | | | | | | | | | | | |
| TS | 162 | TS | GMA | General Use | TS | 163 | TS | GPA | AF Amplifier | TS | 164 | TS | GPA | AF Amplifier | TS | 165 | TS | GPA | AF Amplifier | TS | 166 | TS | GPA | AF Amplifier | GT | 167 | GTC | GPA | Switching | TS | 176 | TS | GPA | AF Power Amp | 200 | TI | GNG | GPA | General Use | 201 | TI | GNG | GPA | General Use | 202 | TI | GNG | GPA | General Use | 206 | TI | GNG | GPA | AF Amplifier | 207 | TI | GNG | GPA | AF Amplifier | 208 | TI | GNG | GPA | AF Amplifier | GT | 210 | GTC | GPA | Switching | 210 | TI | GNG | GPA | AF Amplifier | 220 | TI | GNG | GPA | AF Amplifier | 221 | TI | GNG | GPA | IF Amplifier | GT | 222 | GTC | GPA | General Use | 222 | TI | GNG | GPA | IF Amplifier | 223 | TI | GNG | GPA | Converter | 224 | TI | GNG | GPA | Detector | 225 | TI | GNG | GPA | IF Amplifier | 227 | TI | GNG | GPA | IF Amplifier | 228 | TI | GNG | GPA | Detector | GT | 229 | GTC | GNA | AF Amplifier | 234 | TI | CNA | IF Amplifier | IF Amplifier | 235 | TI | GNA | GPA | Converter | GT | 269 | GTC | GPA | RF Amplifier | 301 | TI | GPA | AF Amplifier | AF Amplifier | 302 | TI | GPA | AF Amplifier | AF Amplifier | 310 | TI | GPA | AF Amplifier | AF Amplifier | 310 | TI | GPA | AF Amplifier | AF Amplifier | | | | | | | | | | | | | | | | | | | | | | | | | | | | | | | | | | | | | | | | | | | | | | | | | | | | | | | | | | | | | | | | | | | | | | | | | | | | | | | | | | | | | | | | | | | | | | | | | | | | | | | | | | | | | | | | | | | | | | | | | | | | | | | | | | | | | | | | | | | | | | | | | | | | | | | | | | | | | | | | | | | | | | | | | | | | | | | | | | | | | | | | | | | | | | | | | | | | | | | | | | | | | | | | | | | | | | | | | | | | | | | | | | | | | | | | | | | | | | | | | | | | | | | | | | | | | | | | | | | | | | | | | | | | | | | | | | | | | | | | | | | | | | | | | | | | | | | | | | | | | | | | | | | | | | | | | | | | | | | | | | | | | | | | | | | | | | | | | | | | | | | | | | | | | | | | | | | | | | | | | | | | | | | | | | | | | | | | | | | | | | | | | | | | | | | | | | | | | | | | | | | | | | | | | | | | | | | | | | | | | | | | | | | | | | | | | | | | | | | | | | | | | | | | | | | | | | | | | | | | | | | | | | | | | | | | | | | | | | | | | | | | | | | | | | | | | | | | | | | | | | | | | | | | | | | | | | | | | | | | | | | | | | | | | | | | | | | | | | | | | | | | | | | | | | | | | | | | | | | | | | | | | | | | | | | | | | | | | | | | | | | | | | | | | | | | | | | | | | | | | | | | | | | | | | | | | | | | | | | | | | | | | | | | | | | | | | | | | | | | | | | | | | | | | | | | | | | | | | | | | | | | | | | | | | | | | | | | | | | | | | | | | | | | | | | | | | | | | | | | | | | | | | | | | | | | | | | | | | | | | | | | | | | | | | | | | | | | | | | | | | | | | | | | | | | | | | | | | | | | | | | | | | | | | | | | | | | | | | | | | | | | | | | | | | | | | | | | | | | | | | | | | | | | | | | | | | | | | | | | | | | | | | | | | | | | | | | | | | | | | | | | | | | | | | | | | | | | | | | | | | | | | |
| TS | 163 | TS | GPA | AF Amplifier | TS | 164 | TS | GPA | AF Amplifier | TS | 165 | TS | GPA | AF Amplifier | TS | 166 | TS | GPA | AF Amplifier | GT | 167 | GTC | GPA | Switching | TS | 176 | TS | GPA | AF Power Amp | 200 | TI | GNG | GPA | General Use | 201 | TI | GNG | GPA | General Use | 202 | TI | GNG | GPA | General Use | 206 | TI | GNG | GPA | AF Amplifier | 207 | TI | GNG | GPA | AF Amplifier | 208 | TI | GNG | GPA | AF Amplifier | GT | 210 | GTC | GPA | Switching | 210 | TI | GNG | GPA | AF Amplifier | 220 | TI | GNG | GPA | AF Amplifier | 221 | TI | GNG | GPA | IF Amplifier | GT | 222 | GTC | GPA | General Use | 222 | TI | GNG | GPA | IF Amplifier | 223 | TI | GNG | GPA | Converter | 224 | TI | GNG | GPA | Detector | 225 | TI | GNG | GPA | IF Amplifier | 227 | TI | GNG | GPA | IF Amplifier | 228 | TI | GNG | GPA | Detector | GT | 229 | GTC | GNA | AF Amplifier | 234 | TI | CNA | IF Amplifier | IF Amplifier | 235 | TI | GNA | GPA | Converter | GT | 269 | GTC | GPA | RF Amplifier | 301 | TI | GPA | AF Amplifier | AF Amplifier | 302 | TI | GPA | AF Amplifier | AF Amplifier | 310 | TI | GPA | AF Amplifier | AF Amplifier | 310 | TI | GPA | AF Amplifier | AF Amplifier | | | | | | | | | | | | | | | | | | | | | | | | | | | | | | | | | | | | | | | | | | | | | | | | | | | | | | | | | | | | | | | | | | | | | | | | | | | | | | | | | | | | | | | | | | | | | | | | | | | | | | | | | | | | | | | | | | | | | | | | | | | | | | | | | | | | | | | | | | | | | | | | | | | | | | | | | | | | | | | | | | | | | | | | | | | | | | | | | | | | | | | | | | | | | | | | | | | | | | | | | | | | | | | | | | | | | | | | | | | | | | | | | | | | | | | | | | | | | | | | | | | | | | | | | | | | | | | | | | | | | | | | | | | | | | | | | | | | | | | | | | | | | | | | | | | | | | | | | | | | | | | | | | | | | | | | | | | | | | | | | | | | | | | | | | | | | | | | | | | | | | | | | | | | | | | | | | | | | | | | | | | | | | | | | | | | | | | | | | | | | | | | | | | | | | | | | | | | | | | | | | | | | | | | | | | | | | | | | | | | | | | | | | | | | | | | | | | | | | | | | | | | | | | | | | | | | | | | | | | | | | | | | | | | | | | | | | | | | | | | | | | | | | | | | | | | | | | | | | | | | | | | | | | | | | | | | | | | | | | | | | | | | | | | | | | | | | | | | | | | | | | | | | | | | | | | | | | | | | | | | | | | | | | | | | | | | | | | | | | | | | | | | | | | | | | | | | | | | | | | | | | | | | | | | | | | | | | | | | | | | | | | | | | | | | | | | | | | | | | | | | | | | | | | | | | | | | | | | | | | | | | | | | | | | | | | | | | | | | | | | | | | | | | | | | | | | | | | | | | | | | | | | | | | | | | | | | | | | | | | | | | | | | | | | | | | | | | | | | | | | | | | | | | | | | | | | | | | | | | | | | | | | | | | | | | | | | | | | | | | | | | | | | | | | | | | | | | | | | | | | | | | | | | | | | | | | | | | | | | | | | | | | | | | | | | | | | | | | | | | | | | | | | | | | | | | | | | | | | | | | | | | | | | | | | |
| TS | 164 | TS | GPA | AF Amplifier | TS | 165 | TS | GPA | AF Amplifier | TS | 166 | TS | GPA | AF Amplifier | GT | 167 | GTC | GPA | Switching | TS | 176 | TS | GPA | AF Power Amp | 200 | TI | GNG | GPA | General Use | 201 | TI | GNG | GPA | General Use | 202 | TI | GNG | GPA | General Use | 206 | TI | GNG | GPA | AF Amplifier | 207 | TI | GNG | GPA | AF Amplifier | 208 | TI | GNG | GPA | AF Amplifier | GT | 210 | GTC | GPA | Switching | 210 | TI | GNG | GPA | AF Amplifier | 220 | TI | GNG | GPA | AF Amplifier | 221 | TI | GNG | GPA | IF Amplifier | GT | 222 | GTC | GPA | General Use | 222 | TI | GNG | GPA | IF Amplifier | 223 | TI | GNG | GPA | Converter | 224 | TI | GNG | GPA | Detector | 225 | TI | GNG | GPA | IF Amplifier | 227 | TI | GNG | GPA | IF Amplifier | 228 | TI | GNG | GPA | Detector | GT | 229 | GTC | GNA | AF Amplifier | 234 | TI | CNA | IF Amplifier | IF Amplifier | 235 | TI | GNA | GPA | Converter | GT | 269 | GTC | GPA | RF Amplifier | 301 | TI | GPA | AF Amplifier | AF Amplifier | 302 | TI | GPA | AF Amplifier | AF Amplifier | 310 | TI | GPA | AF Amplifier | AF Amplifier | 310 | TI | GPA | AF Amplifier | AF Amplifier | | | | | | | | | | | | | | | | | | | | | | | | | | | | | | | | | | | | | | | | | | | | | | | | | | | | | | | | | | | | | | | | | | | | | | | | | | | | | | | | | | | | | | | | | | | | | | | | | | | | | | | | | | | | | | | | | | | | | | | | | | | | | | | | | | | | | | | | | | | | | | | | | | | | | | | | | | | | | | | | | | | | | | | | | | | | | | | | | | | | | | | | | | | | | | | | | | | | | | | | | | | | | | | | | | | | | | | | | | | | | | | | | | | | | | | | | | | | | | | | | | | | | | | | | | | | | | | | | | | | | | | | | | | | | | | | | | | | | | | | | | | | | | | | | | | | | | | | | | | | | | | | | | | | | | | | | | | | | | | | | | | | | | | | | | | | | | | | | | | | | | | | | | | | | | | | | | | | | | | | | | | | | | | | | | | | | | | | | | | | | | | | | | | | | | | | | | | | | | | | | | | | | | | | | | | | | | | | | | | | | | | | | | | | | | | | | | | | | | | | | | | | | | | | | | | | | | | | | | | | | | | | | | | | | | | | | | | | | | | | | | | | | | | | | | | | | | | | | | | | | | | | | | | | | | | | | | | | | | | | | | | | | | | | | | | | | | | | | | | | | | | | | | | | | | | | | | | | | | | | | | | | | | | | | | | | | | | | | | | | | | | | | | | | | | | | | | | | | | | | | | | | | | | | | | | | | | | | | | | | | | | | | | | | | | | | | | | | | | | | | | | | | | | | | | | | | | | | | | | | | | | | | | | | | | | | | | | | | | | | | | | | | | | | | | | | | | | | | | | | | | | | | | | | | | | | | | | | | | | | | | | | | | | | | | | | | | | | | | | | | | | | | | | | | | | | | | | | | | | | | | | | | | | | | | | | | | | | | | | | | | | | | | | | | | | | | | | | | | | | | | | | | | | | | | | | | | | | | | | | | | | | | | | | | | | | | | | | | | | | | | | | | | | | | | | | | | | | | | | | | | | | | | | | | | | | | | | |
| TS | 165 | TS | GPA | AF Amplifier | TS | 166 | TS | GPA | AF Amplifier | GT | 167 | GTC | GPA | Switching | TS | 176 | TS | GPA | AF Power Amp | 200 | TI | GNG | GPA | General Use | 201 | TI | GNG | GPA | General Use | 202 | TI | GNG | GPA | General Use | 206 | TI | GNG | GPA | AF Amplifier | 207 | TI | GNG | GPA | AF Amplifier | 208 | TI | GNG | GPA | AF Amplifier | GT | 210 | GTC | GPA | Switching | 210 | TI | GNG | GPA | AF Amplifier | 220 | TI | GNG | GPA | AF Amplifier | 221 | TI | GNG | GPA | IF Amplifier | GT | 222 | GTC | GPA | General Use | 222 | TI | GNG | GPA | IF Amplifier | 223 | TI | GNG | GPA | Converter | 224 | TI | GNG | GPA | Detector | 225 | TI | GNG | GPA | IF Amplifier | 227 | TI | GNG | GPA | IF Amplifier | 228 | TI | GNG | GPA | Detector | GT | 229 | GTC | GNA | AF Amplifier | 234 | TI | CNA | IF Amplifier | IF Amplifier | 235 | TI | GNA | GPA | Converter | GT | 269 | GTC | GPA | RF Amplifier | 301 | TI | GPA | AF Amplifier | AF Amplifier | 302 | TI | GPA | AF Amplifier | AF Amplifier | 310 | TI | GPA | AF Amplifier | AF Amplifier | 310 | TI | GPA | AF Amplifier | AF Amplifier | | | | | | | | | | | | | | | | | | | | | | | | | | | | | | | | | | | | | | | | | | | | | | | | | | | | | | | | | | | | | | | | | | | | | | | | | | | | | | | | | | | | | | | | | | | | | | | | | | | | | | | | | | | | | | | | | | | | | | | | | | | | | | | | | | | | | | | | | | | | | | | | | | | | | | | | | | | | | | | | | | | | | | | | | | | | | | | | | | | | | | | | | | | | | | | | | | | | | | | | | | | | | | | | | | | | | | | | | | | | | | | | | | | | | | | | | | | | | | | | | | | | | | | | | | | | | | | | | | | | | | | | | | | | | | | | | | | | | | | | | | | | | | | | | | | | | | | | | | | | | | | | | | | | | | | | | | | | | | | | | | | | | | | | | | | | | | | | | | | | | | | | | | | | | | | | | | | | | | | | | | | | | | | | | | | | | | | | | | | | | | | | | | | | | | | | | | | | | | | | | | | | | | | | | | | | | | | | | | | | | | | | | | | | | | | | | | | | | | | | | | | | | | | | | | | | | | | | | | | | | | | | | | | | | | | | | | | | | | | | | | | | | | | | | | | | | | | | | | | | | | | | | | | | | | | | | | | | | | | | | | | | | | | | | | | | | | | | | | | | | | | | | | | | | | | | | | | | | | | | | | | | | | | | | | | | | | | | | | | | | | | | | | | | | | | | | | | | | | | | | | | | | | | | | | | | | | | | | | | | | | | | | | | | | | | | | | | | | | | | | | | | | | | | | | | | | | | | | | | | | | | | | | | | | | | | | | | | | | | | | | | | | | | | | | | | | | | | | | | | | | | | | | | | | | | | | | | | | | | | | | | | | | | | | | | | | | | | | | | | | | | | | | | | | | | | | | | | | | | | | | | | | | | | | | | | | | | | | | | | | | | | | | | | | | | | | | | | | | | | | | | | | | | | | | | | | | | | | | | | | | | | | | | | | | | | | | | | | | | | | | | | | | | | | | | | | | | | | | | | | | | | | | | | | | | | | | | | | | | | |
| TS | 166 | TS | GPA | AF Amplifier | GT | 167 | GTC | GPA | Switching | TS | 176 | TS | GPA | AF Power Amp | 200 | TI | GNG | GPA | General Use | 201 | TI | GNG | GPA | General Use | 202 | TI | GNG | GPA | General Use | 206 | TI | GNG | GPA | AF Amplifier | 207 | TI | GNG | GPA | AF Amplifier | 208 | TI | GNG | GPA | AF Amplifier | GT | 210 | GTC | GPA | Switching | 210 | TI | GNG | GPA | AF Amplifier | 220 | TI | GNG | GPA | AF Amplifier | 221 | TI | GNG | GPA | IF Amplifier | GT | 222 | GTC | GPA | General Use | 222 | TI | GNG | GPA | IF Amplifier | 223 | TI | GNG | GPA | Converter | 224 | TI | GNG | GPA | Detector | 225 | TI | GNG | GPA | IF Amplifier | 227 | TI | GNG | GPA | IF Amplifier | 228 | TI | GNG | GPA | Detector | GT | 229 | GTC | GNA | AF Amplifier | 234 | TI | CNA | IF Amplifier | IF Amplifier | 235 | TI | GNA | GPA | Converter | GT | 269 | GTC | GPA | RF Amplifier | 301 | TI | GPA | AF Amplifier | AF Amplifier | 302 | TI | GPA | AF Amplifier | AF Amplifier | 310 | TI | GPA | AF Amplifier | AF Amplifier | 310 | TI | GPA | AF Amplifier | AF Amplifier | | | | | | | | | | | | | | | | | | | | | | | | | | | | | | | | | | | | | | | | | | | | | | | | | | | | | | | | | | | | | | | | | | | | | | | | | | | | | | | | | | | | | | | | | | | | | | | | | | | | | | | | | | | | | | | | | | | | | | | | | | | | | | | | | | | | | | | | | | | | | | | | | | | | | | | | | | | | | | | | | | | | | | | | | | | | | | | | | | | | | | | | | | | | | | | | | | | | | | | | | | | | | | | | | | | | | | | | | | | | | | | | | | | | | | | | | | | | | | | | | | | | | | | | | | | | | | | | | | | | | | | | | | | | | | | | | | | | | | | | | | | | | | | | | | | | | | | | | | | | | | | | | | | | | | | | | | | | | | | | | | | | | | | | | | | | | | | | | | | | | | | | | | | | | | | | | | | | | | | | | | | | | | | | | | | | | | | | | | | | | | | | | | | | | | | | | | | | | | | | | | | | | | | | | | | | | | | | | | | | | | | | | | | | | | | | | | | | | | | | | | | | | | | | | | | | | | | | | | | | | | | | | | | | | | | | | | | | | | | | | | | | | | | | | | | | | | | | | | | | | | | | | | | | | | | | | | | | | | | | | | | | | | | | | | | | | | | | | | | | | | | | | | | | | | | | | | | | | | | | | | | | | | | | | | | | | | | | | | | | | | | | | | | | | | | | | | | | | | | | | | | | | | | | | | | | | | | | | | | | | | | | | | | | | | | | | | | | | | | | | | | | | | | | | | | | | | | | | | | | | | | | | | | | | | | | | | | | | | | | | | | | | | | | | | | | | | | | | | | | | | | | | | | | | | | | | | | | | | | | | | | | | | | | | | | | | | | | | | | | | | | | | | | | | | | | | | | | | | | | | | | | | | | | | | | | | | | | | | | | | | | | | | | | | | | | | | | | | | | | | | | | | | | | | | | | | | | | | | | | | | | | | | | | | | | | | | | | | | | | | | | | | | | | | | | | | | | | | | | | | | | | | | | | | | | | | | | | | | | | | | | | | |
| GT | 167 | GTC | GPA | Switching | TS | 176 | TS | GPA | AF Power Amp | 200 | TI | GNG | GPA | General Use | 201 | TI | GNG | GPA | General Use | 202 | TI | GNG | GPA | General Use | 206 | TI | GNG | GPA | AF Amplifier | 207 | TI | GNG | GPA | AF Amplifier | 208 | TI | GNG | GPA | AF Amplifier | GT | 210 | GTC | GPA | Switching | 210 | TI | GNG | GPA | AF Amplifier | 220 | TI | GNG | GPA | AF Amplifier | 221 | TI | GNG | GPA | IF Amplifier | GT | 222 | GTC | GPA | General Use | 222 | TI | GNG | GPA | IF Amplifier | 223 | TI | GNG | GPA | Converter | 224 | TI | GNG | GPA | Detector | 225 | TI | GNG | GPA | IF Amplifier | 227 | TI | GNG | GPA | IF Amplifier | 228 | TI | GNG | GPA | Detector | GT | 229 | GTC | GNA | AF Amplifier | 234 | TI | CNA | IF Amplifier | IF Amplifier | 235 | TI | GNA | GPA | Converter | GT | 269 | GTC | GPA | RF Amplifier | 301 | TI | GPA | AF Amplifier | AF Amplifier | 302 | TI | GPA | AF Amplifier | AF Amplifier | 310 | TI | GPA | AF Amplifier | AF Amplifier | 310 | TI | GPA | AF Amplifier | AF Amplifier | | | | | | | | | | | | | | | | | | | | | | | | | | | | | | | | | | | | | | | | | | | | | | | | | | | | | | | | | | | | | | | | | | | | | | | | | | | | | | | | | | | | | | | | | | | | | | | | | | | | | | | | | | | | | | | | | | | | | | | | | | | | | | | | | | | | | | | | | | | | | | | | | | | | | | | | | | | | | | | | | | | | | | | | | | | | | | | | | | | | | | | | | | | | | | | | | | | | | | | | | | | | | | | | | | | | | | | | | | | | | | | | | | | | | | | | | | | | | | | | | | | | | | | | | | | | | | | | | | | | | | | | | | | | | | | | | | | | | | | | | | | | | | | | | | | | | | | | | | | | | | | | | | | | | | | | | | | | | | | | | | | | | | | | | | | | | | | | | | | | | | | | | | | | | | | | | | | | | | | | | | | | | | | | | | | | | | | | | | | | | | | | | | | | | | | | | | | | | | | | | | | | | | | | | | | | | | | | | | | | | | | | | | | | | | | | | | | | | | | | | | | | | | | | | | | | | | | | | | | | | | | | | | | | | | | | | | | | | | | | | | | | | | | | | | | | | | | | | | | | | | | | | | | | | | | | | | | | | | | | | | | | | | | | | | | | | | | | | | | | | | | | | | | | | | | | | | | | | | | | | | | | | | | | | | | | | | | | | | | | | | | | | | | | | | | | | | | | | | | | | | | | | | | | | | | | | | | | | | | | | | | | | | | | | | | | | | | | | | | | | | | | | | | | | | | | | | | | | | | | | | | | | | | | | | | | | | | | | | | | | | | | | | | | | | | | | | | | | | | | | | | | | | | | | | | | | | | | | | | | | | | | | | | | | | | | | | | | | | | | | | | | | | | | | | | | | | | | | | | | | | | | | | | | | | | | | | | | | | | | | | | | | | | | | | | | | | | | | | | | | | | | | | | | | | | | | | | | | | | | | | | | | | | | | | | | | | | | | | | | | | | | | | | | | | | | | | | | | | | | | | | | | | | | | | | | | | | | | | | | | | | | | | | | | | |
| TS | 176 | TS | GPA | AF Power Amp | 200 | TI | GNG | GPA | General Use | 201 | TI | GNG | GPA | General Use | 202 | TI | GNG | GPA | General Use | 206 | TI | GNG | GPA | AF Amplifier | 207 | TI | GNG | GPA | AF Amplifier | 208 | TI | GNG | GPA | AF Amplifier | GT | 210 | GTC | GPA | Switching | 210 | TI | GNG | GPA | AF Amplifier | 220 | TI | GNG | GPA | AF Amplifier | 221 | TI | GNG | GPA | IF Amplifier | GT | 222 | GTC | GPA | General Use | 222 | TI | GNG | GPA | IF Amplifier | 223 | TI | GNG | GPA | Converter | 224 | TI | GNG | GPA | Detector | 225 | TI | GNG | GPA | IF Amplifier | 227 | TI | GNG | GPA | IF Amplifier | 228 | TI | GNG | GPA | Detector | GT | 229 | GTC | GNA | AF Amplifier | 234 | TI | CNA | IF Amplifier | IF Amplifier | 235 | TI | GNA | GPA | Converter | GT | 269 | GTC | GPA | RF Amplifier | 301 | TI | GPA | AF Amplifier | AF Amplifier | 302 | TI | GPA | AF Amplifier | AF Amplifier | 310 | TI | GPA | AF Amplifier | AF Amplifier | 310 | TI | GPA | AF Amplifier | AF Amplifier | | | | | | | | | | | | | | | | | | | | | | | | | | | | | | | | | | | | | | | | | | | | | | | | | | | | | | | | | | | | | | | | | | | | | | | | | | | | | | | | | | | | | | | | | | | | | | | | | | | | | | | | | | | | | | | | | | | | | | | | | | | | | | | | | | | | | | | | | | | | | | | | | | | | | | | | | | | | | | | | | | | | | | | | | | | | | | | | | | | | | | | | | | | | | | | | | | | | | | | | | | | | | | | | | | | | | | | | | | | | | | | | | | | | | | | | | | | | | | | | | | | | | | | | | | | | | | | | | | | | | | | | | | | | | | | | | | | | | | | | | | | | | | | | | | | | | | | | | | | | | | | | | | | | | | | | | | | | | | | | | | | | | | | | | | | | | | | | | | | | | | | | | | | | | | | | | | | | | | | | | | | | | | | | | | | | | | | | | | | | | | | | | | | | | | | | | | | | | | | | | | | | | | | | | | | | | | | | | | | | | | | | | | | | | | | | | | | | | | | | | | | | | | | | | | | | | | | | | | | | | | | | | | | | | | | | | | | | | | | | | | | | | | | | | | | | | | | | | | | | | | | | | | | | | | | | | | | | | | | | | | | | | | | | | | | | | | | | | | | | | | | | | | | | | | | | | | | | | | | | | | | | | | | | | | | | | | | | | | | | | | | | | | | | | | | | | | | | | | | | | | | | | | | | | | | | | | | | | | | | | | | | | | | | | | | | | | | | | | | | | | | | | | | | | | | | | | | | | | | | | | | | | | | | | | | | | | | | | | | | | | | | | | | | | | | | | | | | | | | | | | | | | | | | | | | | | | | | | | | | | | | | | | | | | | | | | | | | | | | | | | | | | | | | | | | | | | | | | | | | | | | | | | | | | | | | | | | | | | | | | | | | | | | | | | | | | | | | | | | | | | | | | | | | | | | | | | | | | | | | | | | | | | | | | | | | | | | | | | | | | | | | | | | | | | | | | | | | | | | | | | | | | | | | | | | | | | | | | | | | | | | | | | | | | | | | | | | |
| 200 | TI | GNG | GPA | General Use | 201 | TI | GNG | GPA | General Use | 202 | TI | GNG | GPA | General Use | 206 | TI | GNG | GPA | AF Amplifier | 207 | TI | GNG | GPA | AF Amplifier | 208 | TI | GNG | GPA | AF Amplifier | GT | 210 | GTC | GPA | Switching | 210 | TI | GNG | GPA | AF Amplifier | 220 | TI | GNG | GPA | AF Amplifier | 221 | TI | GNG | GPA | IF Amplifier | GT | 222 | GTC | GPA | General Use | 222 | TI | GNG | GPA | IF Amplifier | 223 | TI | GNG | GPA | Converter | 224 | TI | GNG | GPA | Detector | 225 | TI | GNG | GPA | IF Amplifier | 227 | TI | GNG | GPA | IF Amplifier | 228 | TI | GNG | GPA | Detector | GT | 229 | GTC | GNA | AF Amplifier | 234 | TI | CNA | IF Amplifier | IF Amplifier | 235 | TI | GNA | GPA | Converter | GT | 269 | GTC | GPA | RF Amplifier | 301 | TI | GPA | AF Amplifier | AF Amplifier | 302 | TI | GPA | AF Amplifier | AF Amplifier | 310 | TI | GPA | AF Amplifier | AF Amplifier | 310 | TI | GPA | AF Amplifier | AF Amplifier | | | | | | | | | | | | | | | | | | | | | | | | | | | | | | | | | | | | | | | | | | | | | | | | | | | | | | | | | | | | | | | | | | | | | | | | | | | | | | | | | | | | | | | | | | | | | | | | | | | | | | | | | | | | | | | | | | | | | | | | | | | | | | | | | | | | | | | | | | | | | | | | | | | | | | | | | | | | | | | | | | | | | | | | | | | | | | | | | | | | | | | | | | | | | | | | | | | | | | | | | | | | | | | | | | | | | | | | | | | | | | | | | | | | | | | | | | | | | | | | | | | | | | | | | | | | | | | | | | | | | | | | | | | | | | | | | | | | | | | | | | | | | | | | | | | | | | | | | | | | | | | | | | | | | | | | | | | | | | | | | | | | | | | | | | | | | | | | | | | | | | | | | | | | | | | | | | | | | | | | | | | | | | | | | | | | | | | | | | | | | | | | | | | | | | | | | | | | | | | | | | | | | | | | | | | | | | | | | | | | | | | | | | | | | | | | | | | | | | | | | | | | | | | | | | | | | | | | | | | | | | | | | | | | | | | | | | | | | | | | | | | | | | | | | | | | | | | | | | | | | | | | | | | | | | | | | | | | | | | | | | | | | | | | | | | | | | | | | | | | | | | | | | | | | | | | | | | | | | | | | | | | | | | | | | | | | | | | | | | | | | | | | | | | | | | | | | | | | | | | | | | | | | | | | | | | | | | | | | | | | | | | | | | | | | | | | | | | | | | | | | | | | | | | | | | | | | | | | | | | | | | | | | | | | | | | | | | | | | | | | | | | | | | | | | | | | | | | | | | | | | | | | | | | | | | | | | | | | | | | | | | | | | | | | | | | | | | | | | | | | | | | | | | | | | | | | | | | | | | | | | | | | | | | | | | | | | | | | | | | | | | | | | | | | | | | | | | | | | | | | | | | | | | | | | | | | | | | | | | | | | | | | | | | | | | | | | | | | | | | | | | | | | | | | | | | | | | | | | | | | | | | | | | | | | | | | | | | | | | | | | | | | | | | | | | | | | | | | | | | |
| 201 | TI | GNG | GPA | General Use | 202 | TI | GNG | GPA | General Use | 206 | TI | GNG | GPA | AF Amplifier | 207 | TI | GNG | GPA | AF Amplifier | 208 | TI | GNG | GPA | AF Amplifier | GT | 210 | GTC | GPA | Switching | 210 | TI | GNG | GPA | AF Amplifier | 220 | TI | GNG | GPA | AF Amplifier | 221 | TI | GNG | GPA | IF Amplifier | GT | 222 | GTC | GPA | General Use | 222 | TI | GNG | GPA | IF Amplifier | 223 | TI | GNG | GPA | Converter | 224 | TI | GNG | GPA | Detector | 225 | TI | GNG | GPA | IF Amplifier | 227 | TI | GNG | GPA | IF Amplifier | 228 | TI | GNG | GPA | Detector | GT | 229 | GTC | GNA | AF Amplifier | 234 | TI | CNA | IF Amplifier | IF Amplifier | 235 | TI | GNA | GPA | Converter | GT | 269 | GTC | GPA | RF Amplifier | 301 | TI | GPA | AF Amplifier | AF Amplifier | 302 | TI | GPA | AF Amplifier | AF Amplifier | 310 | TI | GPA | AF Amplifier | AF Amplifier | 310 | TI | GPA | AF Amplifier | AF Amplifier | | | | | | | | | | | | | | | | | | | | | | | | | | | | | | | | | | | | | | | | | | | | | | | | | | | | | | | | | | | | | | | | | | | | | | | | | | | | | | | | | | | | | | | | | | | | | | | | | | | | | | | | | | | | | | | | | | | | | | | | | | | | | | | | | | | | | | | | | | | | | | | | | | | | | | | | | | | | | | | | | | | | | | | | | | | | | | | | | | | | | | | | | | | | | | | | | | | | | | | | | | | | | | | | | | | | | | | | | | | | | | | | | | | | | | | | | | | | | | | | | | | | | | | | | | | | | | | | | | | | | | | | | | | | | | | | | | | | | | | | | | | | | | | | | | | | | | | | | | | | | | | | | | | | | | | | | | | | | | | | | | | | | | | | | | | | | | | | | | | | | | | | | | | | | | | | | | | | | | | | | | | | | | | | | | | | | | | | | | | | | | | | | | | | | | | | | | | | | | | | | | | | | | | | | | | | | | | | | | | | | | | | | | | | | | | | | | | | | | | | | | | | | | | | | | | | | | | | | | | | | | | | | | | | | | | | | | | | | | | | | | | | | | | | | | | | | | | | | | | | | | | | | | | | | | | | | | | | | | | | | | | | | | | | | | | | | | | | | | | | | | | | | | | | | | | | | | | | | | | | | | | | | | | | | | | | | | | | | | | | | | | | | | | | | | | | | | | | | | | | | | | | | | | | | | | | | | | | | | | | | | | | | | | | | | | | | | | | | | | | | | | | | | | | | | | | | | | | | | | | | | | | | | | | | | | | | | | | | | | | | | | | | | | | | | | | | | | | | | | | | | | | | | | | | | | | | | | | | | | | | | | | | | | | | | | | | | | | | | | | | | | | | | | | | | | | | | | | | | | | | | | | | | | | | | | | | | | | | | | | | | | | | | | | | | | | | | | | | | | | | | | | | | | | | | | | | | | | | | | | | | | | | | | | | | | | | | | | | | | | | | | | | | | | | | | | | | | | | | | | | | | | | | | | | | | | | | | | | | | | | | | | | | | | | | | | | | | | | | | | | | | | | |
| 202 | TI | GNG | GPA | General Use | 206 | TI | GNG | GPA | AF Amplifier | 207 | TI | GNG | GPA | AF Amplifier | 208 | TI | GNG | GPA | AF Amplifier | GT | 210 | GTC | GPA | Switching | 210 | TI | GNG | GPA | AF Amplifier | 220 | TI | GNG | GPA | AF Amplifier | 221 | TI | GNG | GPA | IF Amplifier | GT | 222 | GTC | GPA | General Use | 222 | TI | GNG | GPA | IF Amplifier | 223 | TI | GNG | GPA | Converter | 224 | TI | GNG | GPA | Detector | 225 | TI | GNG | GPA | IF Amplifier | 227 | TI | GNG | GPA | IF Amplifier | 228 | TI | GNG | GPA | Detector | GT | 229 | GTC | GNA | AF Amplifier | 234 | TI | CNA | IF Amplifier | IF Amplifier | 235 | TI | GNA | GPA | Converter | GT | 269 | GTC | GPA | RF Amplifier | 301 | TI | GPA | AF Amplifier | AF Amplifier | 302 | TI | GPA | AF Amplifier | AF Amplifier | 310 | TI | GPA | AF Amplifier | AF Amplifier | 310 | TI | GPA | AF Amplifier | AF Amplifier | | | | | | | | | | | | | | | | | | | | | | | | | | | | | | | | | | | | | | | | | | | | | | | | | | | | | | | | | | | | | | | | | | | | | | | | | | | | | | | | | | | | | | | | | | | | | | | | | | | | | | | | | | | | | | | | | | | | | | | | | | | | | | | | | | | | | | | | | | | | | | | | | | | | | | | | | | | | | | | | | | | | | | | | | | | | | | | | | | | | | | | | | | | | | | | | | | | | | | | | | | | | | | | | | | | | | | | | | | | | | | | | | | | | | | | | | | | | | | | | | | | | | | | | | | | | | | | | | | | | | | | | | | | | | | | | | | | | | | | | | | | | | | | | | | | | | | | | | | | | | | | | | | | | | | | | | | | | | | | | | | | | | | | | | | | | | | | | | | | | | | | | | | | | | | | | | | | | | | | | | | | | | | | | | | | | | | | | | | | | | | | | | | | | | | | | | | | | | | | | | | | | | | | | | | | | | | | | | | | | | | | | | | | | | | | | | | | | | | | | | | | | | | | | | | | | | | | | | | | | | | | | | | | | | | | | | | | | | | | | | | | | | | | | | | | | | | | | | | | | | | | | | | | | | | | | | | | | | | | | | | | | | | | | | | | | | | | | | | | | | | | | | | | | | | | | | | | | | | | | | | | | | | | | | | | | | | | | | | | | | | | | | | | | | | | | | | | | | | | | | | | | | | | | | | | | | | | | | | | | | | | | | | | | | | | | | | | | | | | | | | | | | | | | | | | | | | | | | | | | | | | | | | | | | | | | | | | | | | | | | | | | | | | | | | | | | | | | | | | | | | | | | | | | | | | | | | | | | | | | | | | | | | | | | | | | | | | | | | | | | | | | | | | | | | | | | | | | | | | | | | | | | | | | | | | | | | | | | | | | | | | | | | | | | | | | | | | | | | | | | | | | | | | | | | | | | | | | | | | | | | | | | | | | | | | | | | | | | | | | | | | | | | | | | | | | | | | | | | | | | | | | | | | | | | | | | | | | | | | | | | | | | | | | | | | | | | | | | | | | | | | | | | | | | | |
| 206 | TI | GNG | GPA | AF Amplifier | 207 | TI | GNG | GPA | AF Amplifier | 208 | TI | GNG | GPA | AF Amplifier | GT | 210 | GTC | GPA | Switching | 210 | TI | GNG | GPA | AF Amplifier | 220 | TI | GNG | GPA | AF Amplifier | 221 | TI | GNG | GPA | IF Amplifier | GT | 222 | GTC | GPA | General Use | 222 | TI | GNG | GPA | IF Amplifier | 223 | TI | GNG | GPA | Converter | 224 | TI | GNG | GPA | Detector | 225 | TI | GNG | GPA | IF Amplifier | 227 | TI | GNG | GPA | IF Amplifier | 228 | TI | GNG | GPA | Detector | GT | 229 | GTC | GNA | AF Amplifier | 234 | TI | CNA | IF Amplifier | IF Amplifier | 235 | TI | GNA | GPA | Converter | GT | 269 | GTC | GPA | RF Amplifier | 301 | TI | GPA | AF Amplifier | AF Amplifier | 302 | TI | GPA | AF Amplifier | AF Amplifier | 310 | TI | GPA | AF Amplifier | AF Amplifier | 310 | TI | GPA | AF Amplifier | AF Amplifier | | | | | | | | | | | | | | | | | | | | | | | | | | | | | | | | | | | | | | | | | | | | | | | | | | | | | | | | | | | | | | | | | | | | | | | | | | | | | | | | | | | | | | | | | | | | | | | | | | | | | | | | | | | | | | | | | | | | | | | | | | | | | | | | | | | | | | | | | | | | | | | | | | | | | | | | | | | | | | | | | | | | | | | | | | | | | | | | | | | | | | | | | | | | | | | | | | | | | | | | | | | | | | | | | | | | | | | | | | | | | | | | | | | | | | | | | | | | | | | | | | | | | | | | | | | | | | | | | | | | | | | | | | | | | | | | | | | | | | | | | | | | | | | | | | | | | | | | | | | | | | | | | | | | | | | | | | | | | | | | | | | | | | | | | | | | | | | | | | | | | | | | | | | | | | | | | | | | | | | | | | | | | | | | | | | | | | | | | | | | | | | | | | | | | | | | | | | | | | | | | | | | | | | | | | | | | | | | | | | | | | | | | | | | | | | | | | | | | | | | | | | | | | | | | | | | | | | | | | | | | | | | | | | | | | | | | | | | | | | | | | | | | | | | | | | | | | | | | | | | | | | | | | | | | | | | | | | | | | | | | | | | | | | | | | | | | | | | | | | | | | | | | | | | | | | | | | | | | | | | | | | | | | | | | | | | | | | | | | | | | | | | | | | | | | | | | | | | | | | | | | | | | | | | | | | | | | | | | | | | | | | | | | | | | | | | | | | | | | | | | | | | | | | | | | | | | | | | | | | | | | | | | | | | | | | | | | | | | | | | | | | | | | | | | | | | | | | | | | | | | | | | | | | | | | | | | | | | | | | | | | | | | | | | | | | | | | | | | | | | | | | | | | | | | | | | | | | | | | | | | | | | | | | | | | | | | | | | | | | | | | | | | | | | | | | | | | | | | | | | | | | | | | | | | | | | | | | | | | | | | | | | | | | | | | | | | | | | | | | | | | | | | | | | | | | | | | | | | | | | | | | | | | | | | | | | | | | | | | | | | | | | | | | | | | | | | | | | | | | | | | | | | | | | | | | | | | | |
| 207 | TI | GNG | GPA | AF Amplifier | 208 | TI | GNG | GPA | AF Amplifier | GT | 210 | GTC | GPA | Switching | 210 | TI | GNG | GPA | AF Amplifier | 220 | TI | GNG | GPA | AF Amplifier | 221 | TI | GNG | GPA | IF Amplifier | GT | 222 | GTC | GPA | General Use | 222 | TI | GNG | GPA | IF Amplifier | 223 | TI | GNG | GPA | Converter | 224 | TI | GNG | GPA | Detector | 225 | TI | GNG | GPA | IF Amplifier | 227 | TI | GNG | GPA | IF Amplifier | 228 | TI | GNG | GPA | Detector | GT | 229 | GTC | GNA | AF Amplifier | 234 | TI | CNA | IF Amplifier | IF Amplifier | 235 | TI | GNA | GPA | Converter | GT | 269 | GTC | GPA | RF Amplifier | 301 | TI | GPA | AF Amplifier | AF Amplifier | 302 | TI | GPA | AF Amplifier | AF Amplifier | 310 | TI | GPA | AF Amplifier | AF Amplifier | 310 | TI | GPA | AF Amplifier | AF Amplifier | | | | | | | | | | | | | | | | | | | | | | | | | | | | | | | | | | | | | | | | | | | | | | | | | | | | | | | | | | | | | | | | | | | | | | | | | | | | | | | | | | | | | | | | | | | | | | | | | | | | | | | | | | | | | | | | | | | | | | | | | | | | | | | | | | | | | | | | | | | | | | | | | | | | | | | | | | | | | | | | | | | | | | | | | | | | | | | | | | | | | | | | | | | | | | | | | | | | | | | | | | | | | | | | | | | | | | | | | | | | | | | | | | | | | | | | | | | | | | | | | | | | | | | | | | | | | | | | | | | | | | | | | | | | | | | | | | | | | | | | | | | | | | | | | | | | | | | | | | | | | | | | | | | | | | | | | | | | | | | | | | | | | | | | | | | | | | | | | | | | | | | | | | | | | | | | | | | | | | | | | | | | | | | | | | | | | | | | | | | | | | | | | | | | | | | | | | | | | | | | | | | | | | | | | | | | | | | | | | | | | | | | | | | | | | | | | | | | | | | | | | | | | | | | | | | | | | | | | | | | | | | | | | | | | | | | | | | | | | | | | | | | | | | | | | | | | | | | | | | | | | | | | | | | | | | | | | | | | | | | | | | | | | | | | | | | | | | | | | | | | | | | | | | | | | | | | | | | | | | | | | | | | | | | | | | | | | | | | | | | | | | | | | | | | | | | | | | | | | | | | | | | | | | | | | | | | | | | | | | | | | | | | | | | | | | | | | | | | | | | | | | | | | | | | | | | | | | | | | | | | | | | | | | | | | | | | | | | | | | | | | | | | | | | | | | | | | | | | | | | | | | | | | | | | | | | | | | | | | | | | | | | | | | | | | | | | | | | | | | | | | | | | | | | | | | | | | | | | | | | | | | | | | | | | | | | | | | | | | | | | | | | | | | | | | | | | | | | | | | | | | | | | | | | | | | | | | | | | | | | | | | | | | | | | | | | | | | | | | | | | | | | | | | | | | | | | | | | | | | | | | | | | | | | | | | | | | | | | | | | | | | | | | | | | | | | | | | | | | | | | | | | | | | | | | | | | | | | | | | | |
| 208 | TI | GNG | GPA | AF Amplifier | GT | 210 | GTC | GPA | Switching | 210 | TI | GNG | GPA | AF Amplifier | 220 | TI | GNG | GPA | AF Amplifier | 221 | TI | GNG | GPA | IF Amplifier | GT | 222 | GTC | GPA | General Use | 222 | TI | GNG | GPA | IF Amplifier | 223 | TI | GNG | GPA | Converter | 224 | TI | GNG | GPA | Detector | 225 | TI | GNG | GPA | IF Amplifier | 227 | TI | GNG | GPA | IF Amplifier | 228 | TI | GNG | GPA | Detector | GT | 229 | GTC | GNA | AF Amplifier | 234 | TI | CNA | IF Amplifier | IF Amplifier | 235 | TI | GNA | GPA | Converter | GT | 269 | GTC | GPA | RF Amplifier | 301 | TI | GPA | AF Amplifier | AF Amplifier | 302 | TI | GPA | AF Amplifier | AF Amplifier | 310 | TI | GPA | AF Amplifier | AF Amplifier | 310 | TI | GPA | AF Amplifier | AF Amplifier | | | | | | | | | | | | | | | | | | | | | | | | | | | | | | | | | | | | | | | | | | | | | | | | | | | | | | | | | | | | | | | | | | | | | | | | | | | | | | | | | | | | | | | | | | | | | | | | | | | | | | | | | | | | | | | | | | | | | | | | | | | | | | | | | | | | | | | | | | | | | | | | | | | | | | | | | | | | | | | | | | | | | | | | | | | | | | | | | | | | | | | | | | | | | | | | | | | | | | | | | | | | | | | | | | | | | | | | | | | | | | | | | | | | | | | | | | | | | | | | | | | | | | | | | | | | | | | | | | | | | | | | | | | | | | | | | | | | | | | | | | | | | | | | | | | | | | | | | | | | | | | | | | | | | | | | | | | | | | | | | | | | | | | | | | | | | | | | | | | | | | | | | | | | | | | | | | | | | | | | | | | | | | | | | | | | | | | | | | | | | | | | | | | | | | | | | | | | | | | | | | | | | | | | | | | | | | | | | | | | | | | | | | | | | | | | | | | | | | | | | | | | | | | | | | | | | | | | | | | | | | | | | | | | | | | | | | | | | | | | | | | | | | | | | | | | | | | | | | | | | | | | | | | | | | | | | | | | | | | | | | | | | | | | | | | | | | | | | | | | | | | | | | | | | | | | | | | | | | | | | | | | | | | | | | | | | | | | | | | | | | | | | | | | | | | | | | | | | | | | | | | | | | | | | | | | | | | | | | | | | | | | | | | | | | | | | | | | | | | | | | | | | | | | | | | | | | | | | | | | | | | | | | | | | | | | | | | | | | | | | | | | | | | | | | | | | | | | | | | | | | | | | | | | | | | | | | | | | | | | | | | | | | | | | | | | | | | | | | | | | | | | | | | | | | | | | | | | | | | | | | | | | | | | | | | | | | | | | | | | | | | | | | | | | | | | | | | | | | | | | | | | | | | | | | | | | | | | | | | | | | | | | | | | | | | | | | | | | | | | | | | | | | | | | | | | | | | | | | | | | | | | | | | | | | | | | | | | | | | | | | | | | | | | | | | | | | | | | | | | | | | | | | | | | | | | | | | | | | | | | | | | | |
| GT | 210 | GTC | GPA | Switching | 210 | TI | GNG | GPA | AF Amplifier | 220 | TI | GNG | GPA | AF Amplifier | 221 | TI | GNG | GPA | IF Amplifier | GT | 222 | GTC | GPA | General Use | 222 | TI | GNG | GPA | IF Amplifier | 223 | TI | GNG | GPA | Converter | 224 | TI | GNG | GPA | Detector | 225 | TI | GNG | GPA | IF Amplifier | 227 | TI | GNG | GPA | IF Amplifier | 228 | TI | GNG | GPA | Detector | GT | 229 | GTC | GNA | AF Amplifier | 234 | TI | CNA | IF Amplifier | IF Amplifier | 235 | TI | GNA | GPA | Converter | GT | 269 | GTC | GPA | RF Amplifier | 301 | TI | GPA | AF Amplifier | AF Amplifier | 302 | TI | GPA | AF Amplifier | AF Amplifier | 310 | TI | GPA | AF Amplifier | AF Amplifier | 310 | TI | GPA | AF Amplifier | AF Amplifier | | | | | | | | | | | | | | | | | | | | | | | | | | | | | | | | | | | | | | | | | | | | | | | | | | | | | | | | | | | | | | | | | | | | | | | | | | | | | | | | | | | | | | | | | | | | | | | | | | | | | | | | | | | | | | | | | | | | | | | | | | | | | | | | | | | | | | | | | | | | | | | | | | | | | | | | | | | | | | | | | | | | | | | | | | | | | | | | | | | | | | | | | | | | | | | | | | | | | | | | | | | | | | | | | | | | | | | | | | | | | | | | | | | | | | | | | | | | | | | | | | | | | | | | | | | | | | | | | | | | | | | | | | | | | | | | | | | | | | | | | | | | | | | | | | | | | | | | | | | | | | | | | | | | | | | | | | | | | | | | | | | | | | | | | | | | | | | | | | | | | | | | | | | | | | | | | | | | | | | | | | | | | | | | | | | | | | | | | | | | | | | | | | | | | | | | | | | | | | | | | | | | | | | | | | | | | | | | | | | | | | | | | | | | | | | | | | | | | | | | | | | | | | | | | | | | | | | | | | | | | | | | | | | | | | | | | | | | | | | | | | | | | | | | | | | | | | | | | | | | | | | | | | | | | | | | | | | | | | | | | | | | | | | | | | | | | | | | | | | | | | | | | | | | | | | | | | | | | | | | | | | | | | | | | | | | | | | | | | | | | | | | | | | | | | | | | | | | | | | | | | | | | | | | | | | | | | | | | | | | | | | | | | | | | | | | | | | | | | | | | | | | | | | | | | | | | | | | | | | | | | | | | | | | | | | | | | | | | | | | | | | | | | | | | | | | | | | | | | | | | | | | | | | | | | | | | | | | | | | | | | | | | | | | | | | | | | | | | | | | | | | | | | | | | | | | | | | | | | | | | | | | | | | | | | | | | | | | | | | | | | | | | | | | | | | | | | | | | | | | | | | | | | | | | | | | | | | | | | | | | | | | | | | | | | | | | | | | | | | | | | | | | | | | | | | | | | | | | | | | | | | | | | | | | | | | | | | | | | | | | | | | | | | | | | | | | | | | | | | | | | | | | | | | | | | | | | | | | | | | | | | | | | | | | | |
| 210 | TI | GNG | GPA | AF Amplifier | 220 | TI | GNG | GPA | AF Amplifier | 221 | TI | GNG | GPA | IF Amplifier | GT | 222 | GTC | GPA | General Use | 222 | TI | GNG | GPA | IF Amplifier | 223 | TI | GNG | GPA | Converter | 224 | TI | GNG | GPA | Detector | 225 | TI | GNG | GPA | IF Amplifier | 227 | TI | GNG | GPA | IF Amplifier | 228 | TI | GNG | GPA | Detector | GT | 229 | GTC | GNA | AF Amplifier | 234 | TI | CNA | IF Amplifier | IF Amplifier | 235 | TI | GNA | GPA | Converter | GT | 269 | GTC | GPA | RF Amplifier | 301 | TI | GPA | AF Amplifier | AF Amplifier | 302 | TI | GPA | AF Amplifier | AF Amplifier | 310 | TI | GPA | AF Amplifier | AF Amplifier | 310 | TI | GPA | AF Amplifier | AF Amplifier | | | | | | | | | | | | | | | | | | | | | | | | | | | | | | | | | | | | | | | | | | | | | | | | | | | | | | | | | | | | | | | | | | | | | | | | | | | | | | | | | | | | | | | | | | | | | | | | | | | | | | | | | | | | | | | | | | | | | | | | | | | | | | | | | | | | | | | | | | | | | | | | | | | | | | | | | | | | | | | | | | | | | | | | | | | | | | | | | | | | | | | | | | | | | | | | | | | | | | | | | | | | | | | | | | | | | | | | | | | | | | | | | | | | | | | | | | | | | | | | | | | | | | | | | | | | | | | | | | | | | | | | | | | | | | | | | | | | | | | | | | | | | | | | | | | | | | | | | | | | | | | | | | | | | | | | | | | | | | | | | | | | | | | | | | | | | | | | | | | | | | | | | | | | | | | | | | | | | | | | | | | | | | | | | | | | | | | | | | | | | | | | | | | | | | | | | | | | | | | | | | | | | | | | | | | | | | | | | | | | | | | | | | | | | | | | | | | | | | | | | | | | | | | | | | | | | | | | | | | | | | | | | | | | | | | | | | | | | | | | | | | | | | | | | | | | | | | | | | | | | | | | | | | | | | | | | | | | | | | | | | | | | | | | | | | | | | | | | | | | | | | | | | | | | | | | | | | | | | | | | | | | | | | | | | | | | | | | | | | | | | | | | | | | | | | | | | | | | | | | | | | | | | | | | | | | | | | | | | | | | | | | | | | | | | | | | | | | | | | | | | | | | | | | | | | | | | | | | | | | | | | | | | | | | | | | | | | | | | | | | | | | | | | | | | | | | | | | | | | | | | | | | | | | | | | | | | | | | | | | | | | | | | | | | | | | | | | | | | | | | | | | | | | | | | | | | | | | | | | | | | | | | | | | | | | | | | | | | | | | | | | | | | | | | | | | | | | | | | | | | | | | | | | | | | | | | | | | | | | | | | | | | | | | | | | | | | | | | | | | | | | | | | | | | | | | | | | | | | | | | | | | | | | | | | | | | | | | | | | | | | | | | | | | | | | | | | | | | | | | | | | | | | | | | | | | | | | | | | | | | | | | | | | | | | | | | | | |
| 220 | TI | GNG | GPA | AF Amplifier | 221 | TI | GNG | GPA | IF Amplifier | GT | 222 | GTC | GPA | General Use | 222 | TI | GNG | GPA | IF Amplifier | 223 | TI | GNG | GPA | Converter | 224 | TI | GNG | GPA | Detector | 225 | TI | GNG | GPA | IF Amplifier | 227 | TI | GNG | GPA | IF Amplifier | 228 | TI | GNG | GPA | Detector | GT | 229 | GTC | GNA | AF Amplifier | 234 | TI | CNA | IF Amplifier | IF Amplifier | 235 | TI | GNA | GPA | Converter | GT | 269 | GTC | GPA | RF Amplifier | 301 | TI | GPA | AF Amplifier | AF Amplifier | 302 | TI | GPA | AF Amplifier | AF Amplifier | 310 | TI | GPA | AF Amplifier | AF Amplifier | 310 | TI | GPA | AF Amplifier | AF Amplifier | | | | | | | | | | | | | | | | | | | | | | | | | | | | | | | | | | | | | | | | | | | | | | | | | | | | | | | | | | | | | | | | | | | | | | | | | | | | | | | | | | | | | | | | | | | | | | | | | | | | | | | | | | | | | | | | | | | | | | | | | | | | | | | | | | | | | | | | | | | | | | | | | | | | | | | | | | | | | | | | | | | | | | | | | | | | | | | | | | | | | | | | | | | | | | | | | | | | | | | | | | | | | | | | | | | | | | | | | | | | | | | | | | | | | | | | | | | | | | | | | | | | | | | | | | | | | | | | | | | | | | | | | | | | | | | | | | | | | | | | | | | | | | | | | | | | | | | | | | | | | | | | | | | | | | | | | | | | | | | | | | | | | | | | | | | | | | | | | | | | | | | | | | | | | | | | | | | | | | | | | | | | | | | | | | | | | | | | | | | | | | | | | | | | | | | | | | | | | | | | | | | | | | | | | | | | | | | | | | | | | | | | | | | | | | | | | | | | | | | | | | | | | | | | | | | | | | | | | | | | | | | | | | | | | | | | | | | | | | | | | | | | | | | | | | | | | | | | | | | | | | | | | | | | | | | | | | | | | | | | | | | | | | | | | | | | | | | | | | | | | | | | | | | | | | | | | | | | | | | | | | | | | | | | | | | | | | | | | | | | | | | | | | | | | | | | | | | | | | | | | | | | | | | | | | | | | | | | | | | | | | | | | | | | | | | | | | | | | | | | | | | | | | | | | | | | | | | | | | | | | | | | | | | | | | | | | | | | | | | | | | | | | | | | | | | | | | | | | | | | | | | | | | | | | | | | | | | | | | | | | | | | | | | | | | | | | | | | | | | | | | | | | | | | | | | | | | | | | | | | | | | | | | | | | | | | | | | | | | | | | | | | | | | | | | | | | | | | | | | | | | | | | | | | | | | | | | | | | | | | | | | | | | | | | | | | | | | | | | | | | | | | | | | | | | | | | | | | | | | | | | | | | | | | | | | | | | | | | | | | | | | | | | | | | | | | | | | | | | | | | | | | | | | | | | | | | | | | | | | | | | | | | | | | | | | | | | | | | | | | |
| 221 | TI | GNG | GPA | IF Amplifier | GT | 222 | GTC | GPA | General Use | 222 | TI | GNG | GPA | IF Amplifier | 223 | TI | GNG | GPA | Converter | 224 | TI | GNG | GPA | Detector | 225 | TI | GNG | GPA | IF Amplifier | 227 | TI | GNG | GPA | IF Amplifier | 228 | TI | GNG | GPA | Detector | GT | 229 | GTC | GNA | AF Amplifier | 234 | TI | CNA | IF Amplifier | IF Amplifier | 235 | TI | GNA | GPA | Converter | GT | 269 | GTC | GPA | RF Amplifier | 301 | TI | GPA | AF Amplifier | AF Amplifier | 302 | TI | GPA | AF Amplifier | AF Amplifier | 310 | TI | GPA | AF Amplifier | AF Amplifier | 310 | TI | GPA | AF Amplifier | AF Amplifier | | | | | | | | | | | | | | | | | | | | | | | | | | | | | | | | | | | | | | | | | | | | | | | | | | | | | | | | | | | | | | | | | | | | | | | | | | | | | | | | | | | | | | | | | | | | | | | | | | | | | | | | | | | | | | | | | | | | | | | | | | | | | | | | | | | | | | | | | | | | | | | | | | | | | | | | | | | | | | | | | | | | | | | | | | | | | | | | | | | | | | | | | | | | | | | | | | | | | | | | | | | | | | | | | | | | | | | | | | | | | | | | | | | | | | | | | | | | | | | | | | | | | | | | | | | | | | | | | | | | | | | | | | | | | | | | | | | | | | | | | | | | | | | | | | | | | | | | | | | | | | | | | | | | | | | | | | | | | | | | | | | | | | | | | | | | | | | | | | | | | | | | | | | | | | | | | | | | | | | | | | | | | | | | | | | | | | | | | | | | | | | | | | | | | | | | | | | | | | | | | | | | | | | | | | | | | | | | | | | | | | | | | | | | | | | | | | | | | | | | | | | | | | | | | | | | | | | | | | | | | | | | | | | | | | | | | | | | | | | | | | | | | | | | | | | | | | | | | | | | | | | | | | | | | | | | | | | | | | | | | | | | | | | | | | | | | | | | | | | | | | | | | | | | | | | | | | | | | | | | | | | | | | | | | | | | | | | | | | | | | | | | | | | | | | | | | | | | | | | | | | | | | | | | | | | | | | | | | | | | | | | | | | | | | | | | | | | | | | | | | | | | | | | | | | | | | | | | | | | | | | | | | | | | | | | | | | | | | | | | | | | | | | | | | | | | | | | | | | | | | | | | | | | | | | | | | | | | | | | | | | | | | | | | | | | | | | | | | | | | | | | | | | | | | | | | | | | | | | | | | | | | | | | | | | | | | | | | | | | | | | | | | | | | | | | | | | | | | | | | | | | | | | | | | | | | | | | | | | | | | | | | | | | | | | | | | | | | | | | | | | | | | | | | | | | | | | | | | | | | | | | | | | | | | | | | | | | | | | | | | | | | | | | | | | | | | | | | | | | | | | | | | | | | | | | | | | | | | | | | | | | | | | | | | | | | | | | | | | | | | | | | | |
| GT | 222 | GTC | GPA | General Use | 222 | TI | GNG | GPA | IF Amplifier | 223 | TI | GNG | GPA | Converter | 224 | TI | GNG | GPA | Detector | 225 | TI | GNG | GPA | IF Amplifier | 227 | TI | GNG | GPA | IF Amplifier | 228 | TI | GNG | GPA | Detector | GT | 229 | GTC | GNA | AF Amplifier | 234 | TI | CNA | IF Amplifier | IF Amplifier | 235 | TI | GNA | GPA | Converter | GT | 269 | GTC | GPA | RF Amplifier | 301 | TI | GPA | AF Amplifier | AF Amplifier | 302 | TI | GPA | AF Amplifier | AF Amplifier | 310 | TI | GPA | AF Amplifier | AF Amplifier | 310 | TI | GPA | AF Amplifier | AF Amplifier | | | | | | | | | | | | | | | | | | | | | | | | | | | | | | | | | | | | | | | | | | | | | | | | | | | | | | | | | | | | | | | | | | | | | | | | | | | | | | | | | | | | | | | | | | | | | | | | | | | | | | | | | | | | | | | | | | | | | | | | | | | | | | | | | | | | | | | | | | | | | | | | | | | | | | | | | | | | | | | | | | | | | | | | | | | | | | | | | | | | | | | | | | | | | | | | | | | | | | | | | | | | | | | | | | | | | | | | | | | | | | | | | | | | | | | | | | | | | | | | | | | | | | | | | | | | | | | | | | | | | | | | | | | | | | | | | | | | | | | | | | | | | | | | | | | | | | | | | | | | | | | | | | | | | | | | | | | | | | | | | | | | | | | | | | | | | | | | | | | | | | | | | | | | | | | | | | | | | | | | | | | | | | | | | | | | | | | | | | | | | | | | | | | | | | | | | | | | | | | | | | | | | | | | | | | | | | | | | | | | | | | | | | | | | | | | | | | | | | | | | | | | | | | | | | | | | | | | | | | | | | | | | | | | | | | | | | | | | | | | | | | | | | | | | | | | | | | | | | | | | | | | | | | | | | | | | | | | | | | | | | | | | | | | | | | | | | | | | | | | | | | | | | | | | | | | | | | | | | | | | | | | | | | | | | | | | | | | | | | | | | | | | | | | | | | | | | | | | | | | | | | | | | | | | | | | | | | | | | | | | | | | | | | | | | | | | | | | | | | | | | | | | | | | | | | | | | | | | | | | | | | | | | | | | | | | | | | | | | | | | | | | | | | | | | | | | | | | | | | | | | | | | | | | | | | | | | | | | | | | | | | | | | | | | | | | | | | | | | | | | | | | | | | | | | | | | | | | | | | | | | | | | | | | | | | | | | | | | | | | | | | | | | | | | | | | | | | | | | | | | | | | | | | | | | | | | | | | | | | | | | | | | | | | | | | | | | | | | | | | | | | | | | | | | | | | | | | | | | | | | | | | | | | | | | | | | | | | | | | | | | | | | | | | | | | | | | | | | | | | | | | | | | | | | | | | | | | | | | | | | | | | | | | | | | | | | | | | | | | | | | | | | | | | | | |
| 222 | TI | GNG | GPA | IF Amplifier | 223 | TI | GNG | GPA | Converter | 224 | TI | GNG | GPA | Detector | 225 | TI | GNG | GPA | IF Amplifier | 227 | TI | GNG | GPA | IF Amplifier | 228 | TI | GNG | GPA | Detector | GT | 229 | GTC | GNA | AF Amplifier | 234 | TI | CNA | IF Amplifier | IF Amplifier | 235 | TI | GNA | GPA | Converter | GT | 269 | GTC | GPA | RF Amplifier | 301 | TI | GPA | AF Amplifier | AF Amplifier | 302 | TI | GPA | AF Amplifier | AF Amplifier | 310 | TI | GPA | AF Amplifier | AF Amplifier | 310 | TI | GPA | AF Amplifier | AF Amplifier | | | | | | | | | | | | | | | | | | | | | | | | | | | | | | | | | | | | | | | | | | | | | | | | | | | | | | | | | | | | | | | | | | | | | | | | | | | | | | | | | | | | | | | | | | | | | | | | | | | | | | | | | | | | | | | | | | | | | | | | | | | | | | | | | | | | | | | | | | | | | | | | | | | | | | | | | | | | | | | | | | | | | | | | | | | | | | | | | | | | | | | | | | | | | | | | | | | | | | | | | | | | | | | | | | | | | | | | | | | | | | | | | | | | | | | | | | | | | | | | | | | | | | | | | | | | | | | | | | | | | | | | | | | | | | | | | | | | | | | | | | | | | | | | | | | | | | | | | | | | | | | | | | | | | | | | | | | | | | | | | | | | | | | | | | | | | | | | | | | | | | | | | | | | | | | | | | | | | | | | | | | | | | | | | | | | | | | | | | | | | | | | | | | | | | | | | | | | | | | | | | | | | | | | | | | | | | | | | | | | | | | | | | | | | | | | | | | | | | | | | | | | | | | | | | | | | | | | | | | | | | | | | | | | | | | | | | | | | | | | | | | | | | | | | | | | | | | | | | | | | | | | | | | | | | | | | | | | | | | | | | | | | | | | | | | | | | | | | | | | | | | | | | | | | | | | | | | | | | | | | | | | | | | | | | | | | | | | | | | | | | | | | | | | | | | | | | | | | | | | | | | | | | | | | | | | | | | | | | | | | | | | | | | | | | | | | | | | | | | | | | | | | | | | | | | | | | | | | | | | | | | | | | | | | | | | | | | | | | | | | | | | | | | | | | | | | | | | | | | | | | | | | | | | | | | | | | | | | | | | | | | | | | | | | | | | | | | | | | | | | | | | | | | | | | | | | | | | | | | | | | | | | | | | | | | | | | | | | | | | | | | | | | | | | | | | | | | | | | | | | | | | | | | | | | | | | | | | | | | | | | | | | | | | | | | | | | | | | | | | | | | | | | | | | | | | | | | | | | | | | | | | | | | | | | | | | | | | | | | | | | | | | | | | | | | | | | | | | | | | | | | | | | | | | | | | | | | | | | | | | | | | | | | | | | | | | | | | | | | | | | | | | | | | | | | | | | | |
| 223 | TI | GNG | GPA | Converter | 224 | TI | GNG | GPA | Detector | 225 | TI | GNG | GPA | IF Amplifier | 227 | TI | GNG | GPA | IF Amplifier | 228 | TI | GNG | GPA | Detector | GT | 229 | GTC | GNA | AF Amplifier | 234 | TI | CNA | IF Amplifier | IF Amplifier | 235 | TI | GNA | GPA | Converter | GT | 269 | GTC | GPA | RF Amplifier | 301 | TI | GPA | AF Amplifier | AF Amplifier | 302 | TI | GPA | AF Amplifier | AF Amplifier | 310 | TI | GPA | AF Amplifier | AF Amplifier | 310 | TI | GPA | AF Amplifier | AF Amplifier | | | | | | | | | | | | | | | | | | | | | | | | | | | | | | | | | | | | | | | | | | | | | | | | | | | | | | | | | | | | | | | | | | | | | | | | | | | | | | | | | | | | | | | | | | | | | | | | | | | | | | | | | | | | | | | | | | | | | | | | | | | | | | | | | | | | | | | | | | | | | | | | | | | | | | | | | | | | | | | | | | | | | | | | | | | | | | | | | | | | | | | | | | | | | | | | | | | | | | | | | | | | | | | | | | | | | | | | | | | | | | | | | | | | | | | | | | | | | | | | | | | | | | | | | | | | | | | | | | | | | | | | | | | | | | | | | | | | | | | | | | | | | | | | | | | | | | | | | | | | | | | | | | | | | | | | | | | | | | | | | | | | | | | | | | | | | | | | | | | | | | | | | | | | | | | | | | | | | | | | | | | | | | | | | | | | | | | | | | | | | | | | | | | | | | | | | | | | | | | | | | | | | | | | | | | | | | | | | | | | | | | | | | | | | | | | | | | | | | | | | | | | | | | | | | | | | | | | | | | | | | | | | | | | | | | | | | | | | | | | | | | | | | | | | | | | | | | | | | | | | | | | | | | | | | | | | | | | | | | | | | | | | | | | | | | | | | | | | | | | | | | | | | | | | | | | | | | | | | | | | | | | | | | | | | | | | | | | | | | | | | | | | | | | | | | | | | | | | | | | | | | | | | | | | | | | | | | | | | | | | | | | | | | | | | | | | | | | | | | | | | | | | | | | | | | | | | | | | | | | | | | | | | | | | | | | | | | | | | | | | | | | | | | | | | | | | | | | | | | | | | | | | | | | | | | | | | | | | | | | | | | | | | | | | | | | | | | | | | | | | | | | | | | | | | | | | | | | | | | | | | | | | | | | | | | | | | | | | | | | | | | | | | | | | | | | | | | | | | | | | | | | | | | | | | | | | | | | | | | | | | | | | | | | | | | | | | | | | | | | | | | | | | | | | | | | | | | | | | | | | | | | | | | | | | | | | | | | | | | | | | | | | | | | | | | | | | | | | | | | | | | | | | | | | | | | | | | | | | | | | | | | | | | | | | | | | | | | | | | | | | | | | | | | | | | | | | | | | | | | |
| 224 | TI | GNG | GPA | Detector | 225 | TI | GNG | GPA | IF Amplifier | 227 | TI | GNG | GPA | IF Amplifier | 228 | TI | GNG | GPA | Detector | GT | 229 | GTC | GNA | AF Amplifier | 234 | TI | CNA | IF Amplifier | IF Amplifier | 235 | TI | GNA | GPA | Converter | GT | 269 | GTC | GPA | RF Amplifier | 301 | TI | GPA | AF Amplifier | AF Amplifier | 302 | TI | GPA | AF Amplifier | AF Amplifier | 310 | TI | GPA | AF Amplifier | AF Amplifier | 310 | TI | GPA | AF Amplifier | AF Amplifier | | | | | | | | | | | | | | | | | | | | | | | | | | | | | | | | | | | | | | | | | | | | | | | | | | | | | | | | | | | | | | | | | | | | | | | | | | | | | | | | | | | | | | | | | | | | | | | | | | | | | | | | | | | | | | | | | | | | | | | | | | | | | | | | | | | | | | | | | | | | | | | | | | | | | | | | | | | | | | | | | | | | | | | | | | | | | | | | | | | | | | | | | | | | | | | | | | | | | | | | | | | | | | | | | | | | | | | | | | | | | | | | | | | | | | | | | | | | | | | | | | | | | | | | | | | | | | | | | | | | | | | | | | | | | | | | | | | | | | | | | | | | | | | | | | | | | | | | | | | | | | | | | | | | | | | | | | | | | | | | | | | | | | | | | | | | | | | | | | | | | | | | | | | | | | | | | | | | | | | | | | | | | | | | | | | | | | | | | | | | | | | | | | | | | | | | | | | | | | | | | | | | | | | | | | | | | | | | | | | | | | | | | | | | | | | | | | | | | | | | | | | | | | | | | | | | | | | | | | | | | | | | | | | | | | | | | | | | | | | | | | | | | | | | | | | | | | | | | | | | | | | | | | | | | | | | | | | | | | | | | | | | | | | | | | | | | | | | | | | | | | | | | | | | | | | | | | | | | | | | | | | | | | | | | | | | | | | | | | | | | | | | | | | | | | | | | | | | | | | | | | | | | | | | | | | | | | | | | | | | | | | | | | | | | | | | | | | | | | | | | | | | | | | | | | | | | | | | | | | | | | | | | | | | | | | | | | | | | | | | | | | | | | | | | | | | | | | | | | | | | | | | | | | | | | | | | | | | | | | | | | | | | | | | | | | | | | | | | | | | | | | | | | | | | | | | | | | | | | | | | | | | | | | | | | | | | | | | | | | | | | | | | | | | | | | | | | | | | | | | | | | | | | | | | | | | | | | | | | | | | | | | | | | | | | | | | | | | | | | | | | | | | | | | | | | | | | | | | | | | | | | | | | | | | | | | | | | | | | | | | | | | | | | | | | | | | | | | | | | | | | | | | | | | | | | | | | | | | | | | | | | | | | | | | | | | | | | | | | | | | | | | | | | | | | | | | | | | | | | | | | | | | |
| 225 | TI | GNG | GPA | IF Amplifier | 227 | TI | GNG | GPA | IF Amplifier | 228 | TI | GNG | GPA | Detector | GT | 229 | GTC | GNA | AF Amplifier | 234 | TI | CNA | IF Amplifier | IF Amplifier | 235 | TI | GNA | GPA | Converter | GT | 269 | GTC | GPA | RF Amplifier | 301 | TI | GPA | AF Amplifier | AF Amplifier | 302 | TI | GPA | AF Amplifier | AF Amplifier | 310 | TI | GPA | AF Amplifier | AF Amplifier | 310 | TI | GPA | AF Amplifier | AF Amplifier | | | | | | | | | | | | | | | | | | | | | | | | | | | | | | | | | | | | | | | | | | | | | | | | | | | | | | | | | | | | | | | | | | | | | | | | | | | | | | | | | | | | | | | | | | | | | | | | | | | | | | | | | | | | | | | | | | | | | | | | | | | | | | | | | | | | | | | | | | | | | | | | | | | | | | | | | | | | | | | | | | | | | | | | | | | | | | | | | | | | | | | | | | | | | | | | | | | | | | | | | | | | | | | | | | | | | | | | | | | | | | | | | | | | | | | | | | | | | | | | | | | | | | | | | | | | | | | | | | | | | | | | | | | | | | | | | | | | | | | | | | | | | | | | | | | | | | | | | | | | | | | | | | | | | | | | | | | | | | | | | | | | | | | | | | | | | | | | | | | | | | | | | | | | | | | | | | | | | | | | | | | | | | | | | | | | | | | | | | | | | | | | | | | | | | | | | | | | | | | | | | | | | | | | | | | | | | | | | | | | | | | | | | | | | | | | | | | | | | | | | | | | | | | | | | | | | | | | | | | | | | | | | | | | | | | | | | | | | | | | | | | | | | | | | | | | | | | | | | | | | | | | | | | | | | | | | | | | | | | | | | | | | | | | | | | | | | | | | | | | | | | | | | | | | | | | | | | | | | | | | | | | | | | | | | | | | | | | | | | | | | | | | | | | | | | | | | | | | | | | | | | | | | | | | | | | | | | | | | | | | | | | | | | | | | | | | | | | | | | | | | | | | | | | | | | | | | | | | | | | | | | | | | | | | | | | | | | | | | | | | | | | | | | | | | | | | | | | | | | | | | | | | | | | | | | | | | | | | | | | | | | | | | | | | | | | | | | | | | | | | | | | | | | | | | | | | | | | | | | | | | | | | | | | | | | | | | | | | | | | | | | | | | | | | | | | | | | | | | | | | | | | | | | | | | | | | | | | | | | | | | | | | | | | | | | | | | | | | | | | | | | | | | | | | | | | | | | | | | | | | | | | | | | | | | | | | | | | | | | | | | | | | | | | | | | | | | | | | | | | | | | | | | | | | | | | | | | | | | | | | | | | | | | | | | | | | | | | | | | | | | | | | | | | | | | | | | | | | | | | | | | | | | | | | | |
| 227 | TI | GNG | GPA | IF Amplifier | 228 | TI | GNG | GPA | Detector | GT | 229 | GTC | GNA | AF Amplifier | 234 | TI | CNA | IF Amplifier | IF Amplifier | 235 | TI | GNA | GPA | Converter | GT | 269 | GTC | GPA | RF Amplifier | 301 | TI | GPA | AF Amplifier | AF Amplifier | 302 | TI | GPA | AF Amplifier | AF Amplifier | 310 | TI | GPA | AF Amplifier | AF Amplifier | 310 | TI | GPA | AF Amplifier | AF Amplifier | | | | | | | | | | | | | | | | | | | | | | | | | | | | | | | | | | | | | | | | | | | | | | | | | | | | | | | | | | | | | | | | | | | | | | | | | | | | | | | | | | | | | | | | | | | | | | | | | | | | | | | | | | | | | | | | | | | | | | | | | | | | | | | | | | | | | | | | | | | | | | | | | | | | | | | | | | | | | | | | | | | | | | | | | | | | | | | | | | | | | | | | | | | | | | | | | | | | | | | | | | | | | | | | | | | | | | | | | | | | | | | | | | | | | | | | | | | | | | | | | | | | | | | | | | | | | | | | | | | | | | | | | | | | | | | | | | | | | | | | | | | | | | | | | | | | | | | | | | | | | | | | | | | | | | | | | | | | | | | | | | | | | | | | | | | | | | | | | | | | | | | | | | | | | | | | | | | | | | | | | | | | | | | | | | | | | | | | | | | | | | | | | | | | | | | | | | | | | | | | | | | | | | | | | | | | | | | | | | | | | | | | | | | | | | | | | | | | | | | | | | | | | | | | | | | | | | | | | | | | | | | | | | | | | | | | | | | | | | | | | | | | | | | | | | | | | | | | | | | | | | | | | | | | | | | | | | | | | | | | | | | | | | | | | | | | | | | | | | | | | | | | | | | | | | | | | | | | | | | | | | | | | | | | | | | | | | | | | | | | | | | | | | | | | | | | | | | | | | | | | | | | | | | | | | | | | | | | | | | | | | | | | | | | | | | | | | | | | | | | | | | | | | | | | | | | | | | | | | | | | | | | | | | | | | | | | | | | | | | | | | | | | | | | | | | | | | | | | | | | | | | | | | | | | | | | | | | | | | | | | | | | | | | | | | | | | | | | | | | | | | | | | | | | | | | | | | | | | | | | | | | | | | | | | | | | | | | | | | | | | | | | | | | | | | | | | | | | | | | | | | | | | | | | | | | | | | | | | | | | | | | | | | | | | | | | | | | | | | | | | | | | | | | | | | | | | | | | | | | | | | | | | | | | | | | | | | | | | | | | | | | | | | | | | | | | | | | | | | | | | | | | | | | | | | | | | | | | | | | | | | | | | | | | | | | | | | | | | | | | | | | | | | | | | | | | | | | | | | | | | | | | | | | | | | | | | | | |
| 228 | TI | GNG | GPA | Detector | GT | 229 | GTC | GNA | AF Amplifier | 234 | TI | CNA | IF Amplifier | IF Amplifier | 235 | TI | GNA | GPA | Converter | GT | 269 | GTC | GPA | RF Amplifier | 301 | TI | GPA | AF Amplifier | AF Amplifier | 302 | TI | GPA | AF Amplifier | AF Amplifier | 310 | TI | GPA | AF Amplifier | AF Amplifier | 310 | TI | GPA | AF Amplifier | AF Amplifier | | | | | | | | | | | | | | | | | | | | | | | | | | | | | | | | | | | | | | | | | | | | | | | | | | | | | | | | | | | | | | | | | | | | | | | | | | | | | | | | | | | | | | | | | | | | | | | | | | | | | | | | | | | | | | | | | | | | | | | | | | | | | | | | | | | | | | | | | | | | | | | | | | | | | | | | | | | | | | | | | | | | | | | | | | | | | | | | | | | | | | | | | | | | | | | | | | | | | | | | | | | | | | | | | | | | | | | | | | | | | | | | | | | | | | | | | | | | | | | | | | | | | | | | | | | | | | | | | | | | | | | | | | | | | | | | | | | | | | | | | | | | | | | | | | | | | | | | | | | | | | | | | | | | | | | | | | | | | | | | | | | | | | | | | | | | | | | | | | | | | | | | | | | | | | | | | | | | | | | | | | | | | | | | | | | | | | | | | | | | | | | | | | | | | | | | | | | | | | | | | | | | | | | | | | | | | | | | | | | | | | | | | | | | | | | | | | | | | | | | | | | | | | | | | | | | | | | | | | | | | | | | | | | | | | | | | | | | | | | | | | | | | | | | | | | | | | | | | | | | | | | | | | | | | | | | | | | | | | | | | | | | | | | | | | | | | | | | | | | | | | | | | | | | | | | | | | | | | | | | | | | | | | | | | | | | | | | | | | | | | | | | | | | | | | | | | | | | | | | | | | | | | | | | | | | | | | | | | | | | | | | | | | | | | | | | | | | | | | | | | | | | | | | | | | | | | | | | | | | | | | | | | | | | | | | | | | | | | | | | | | | | | | | | | | | | | | | | | | | | | | | | | | | | | | | | | | | | | | | | | | | | | | | | | | | | | | | | | | | | | | | | | | | | | | | | | | | | | | | | | | | | | | | | | | | | | | | | | | | | | | | | | | | | | | | | | | | | | | | | | | | | | | | | | | | | | | | | | | | | | | | | | | | | | | | | | | | | | | | | | | | | | | | | | | | | | | | | | | | | | | | | | | | | | | | | | | | | | | | | | | | | | | | | | | | | | | | | | | | | | | | | | | | | | | | | | | | | | | | | | | | | | | | | | | | | | | | | | | | | | | | | | | | | | | | | | | | | | | | | | | | | | | | | | | | | | | | | | | | | |
| GT | 229 | GTC | GNA | AF Amplifier | 234 | TI | CNA | IF Amplifier | IF Amplifier | 235 | TI | GNA | GPA | Converter | GT | 269 | GTC | GPA | RF Amplifier | 301 | TI | GPA | AF Amplifier | AF Amplifier | 302 | TI | GPA | AF Amplifier | AF Amplifier | 310 | TI | GPA | AF Amplifier | AF Amplifier | 310 | TI | GPA | AF Amplifier | AF Amplifier | | | | | | | | | | | | | | | | | | | | | | | | | | | | | | | | | | | | | | | | | | | | | | | | | | | | | | | | | | | | | | | | | | | | | | | | | | | | | | | | | | | | | | | | | | | | | | | | | | | | | | | | | | | | | | | | | | | | | | | | | | | | | | | | | | | | | | | | | | | | | | | | | | | | | | | | | | | | | | | | | | | | | | | | | | | | | | | | | | | | | | | | | | | | | | | | | | | | | | | | | | | | | | | | | | | | | | | | | | | | | | | | | | | | | | | | | | | | | | | | | | | | | | | | | | | | | | | | | | | | | | | | | | | | | | | | | | | | | | | | | | | | | | | | | | | | | | | | | | | | | | | | | | | | | | | | | | | | | | | | | | | | | | | | | | | | | | | | | | | | | | | | | | | | | | | | | | | | | | | | | | | | | | | | | | | | | | | | | | | | | | | | | | | | | | | | | | | | | | | | | | | | | | | | | | | | | | | | | | | | | | | | | | | | | | | | | | | | | | | | | | | | | | | | | | | | | | | | | | | | | | | | | | | | | | | | | | | | | | | | | | | | | | | | | | | | | | | | | | | | | | | | | | | | | | | | | | | | | | | | | | | | | | | | | | | | | | | | | | | | | | | | | | | | | | | | | | | | | | | | | | | | | | | | | | | | | | | | | | | | | | | | | | | | | | | | | | | | | | | | | | | | | | | | | | | | | | | | | | | | | | | | | | | | | | | | | | | | | | | | | | | | | | | | | | | | | | | | | | | | | | | | | | | | | | | | | | | | | | | | | | | | | | | | | | | | | | | | | | | | | | | | | | | | | | | | | | | | | | | | | | | | | | | | | | | | | | | | | | | | | | | | | | | | | | | | | | | | | | | | | | | | | | | | | | | | | | | | | | | | | | | | | | | | | | | | | | | | | | | | | | | | | | | | | | | | | | | | | | | | | | | | | | | | | | | | | | | | | | | | | | | | | | | | | | | | | | | | | | | | | | | | | | | | | | | | | | | | | | | | | | | | | | | | | | | | | | | | | | | | | | | | | | | | | | | | | | | | | | | | | | | | | | | | | | | | | | | | | | | | | | | | | | | | | | | | | | | | | | | | | | | | | | | | | | | | | | | | | | | | | | | | | |
| 234 | TI | CNA | IF Amplifier | IF Amplifier | 235 | TI | GNA | GPA | Converter | GT | 269 | GTC | GPA | RF Amplifier | 301 | TI | GPA | AF Amplifier | AF Amplifier | 302 | TI | GPA | AF Amplifier | AF Amplifier | 310 | TI | GPA | AF Amplifier | AF Amplifier | 310 | TI | GPA | AF Amplifier | AF Amplifier | | | | | | | | | | | | | | | | | | | | | | | | | | | | | | | | | | | | | | | | | | | | | | | | | | | | | | | | | | | | | | | | | | | | | | | | | | | | | | | | | | | | | | | | | | | | | | | | | | | | | | | | | | | | | | | | | | | | | | | | | | | | | | | | | | | | | | | | | | | | | | | | | | | | | | | | | | | | | | | | | | | | | | | | | | | | | | | | | | | | | | | | | | | | | | | | | | | | | | | | | | | | | | | | | | | | | | | | | | | | | | | | | | | | | | | | | | | | | | | | | | | | | | | | | | | | | | | | | | | | | | | | | | | | | | | | | | | | | | | | | | | | | | | | | | | | | | | | | | | | | | | | | | | | | | | | | | | | | | | | | | | | | | | | | | | | | | | | | | | | | | | | | | | | | | | | | | | | | | | | | | | | | | | | | | | | | | | | | | | | | | | | | | | | | | | | | | | | | | | | | | | | | | | | | | | | | | | | | | | | | | | | | | | | | | | | | | | | | | | | | | | | | | | | | | | | | | | | | | | | | | | | | | | | | | | | | | | | | | | | | | | | | | | | | | | | | | | | | | | | | | | | | | | | | | | | | | | | | | | | | | | | | | | | | | | | | | | | | | | | | | | | | | | | | | | | | | | | | | | | | | | | | | | | | | | | | | | | | | | | | | | | | | | | | | | | | | | | | | | | | | | | | | | | | | | | | | | | | | | | | | | | | | | | | | | | | | | | | | | | | | | | | | | | | | | | | | | | | | | | | | | | | | | | | | | | | | | | | | | | | | | | | | | | | | | | | | | | | | | | | | | | | | | | | | | | | | | | | | | | | | | | | | | | | | | | | | | | | | | | | | | | | | | | | | | | | | | | | | | | | | | | | | | | | | | | | | | | | | | | | | | | | | | | | | | | | | | | | | | | | | | | | | | | | | | | | | | | | | | | | | | | | | | | | | | | | | | | | | | | | | | | | | | | | | | | | | | | | | | | | | | | | | | | | | | | | | | | | | | | | | | | | | | | | | | | | | | | | | | | | | | | | | | | | | | | | | | | | | | | | | | | | | | | | | | | | | | | | | | | | | | | | | | | | | | | | | | | | | | | | | | | | | | | | | | | | | | | | | | | | | | | | | | | | | |
| 235 | TI | GNA | GPA | Converter | GT | 269 | GTC | GPA | RF Amplifier | 301 | TI | GPA | AF Amplifier | AF Amplifier | 302 | TI | GPA | AF Amplifier | AF Amplifier | 310 | TI | GPA | AF Amplifier | AF Amplifier | 310 | TI | GPA | AF Amplifier | AF Amplifier | | | | | | | | | | | | | | | | | | | | | | | | | | | | | | | | | | | | | | | | | | | | | | | | | | | | | | | | | | | | | | | | | | | | | | | | | | | | | | | | | | | | | | | | | | | | | | | | | | | | | | | | | | | | | | | | | | | | | | | | | | | | | | | | | | | | | | | | | | | | | | | | | | | | | | | | | | | | | | | | | | | | | | | | | | | | | | | | | | | | | | | | | | | | | | | | | | | | | | | | | | | | | | | | | | | | | | | | | | | | | | | | | | | | | | | | | | | | | | | | | | | | | | | | | | | | | | | | | | | | | | | | | | | | | | | | | | | | | | | | | | | | | | | | | | | | | | | | | | | | | | | | | | | | | | | | | | | | | | | | | | | | | | | | | | | | | | | | | | | | | | | | | | | | | | | | | | | | | | | | | | | | | | | | | | | | | | | | | | | | | | | | | | | | | | | | | | | | | | | | | | | | | | | | | | | | | | | | | | | | | | | | | | | | | | | | | | | | | | | | | | | | | | | | | | | | | | | | | | | | | | | | | | | | | | | | | | | | | | | | | | | | | | | | | | | | | | | | | | | | | | | | | | | | | | | | | | | | | | | | | | | | | | | | | | | | | | | | | | | | | | | | | | | | | | | | | | | | | | | | | | | | | | | | | | | | | | | | | | | | | | | | | | | | | | | | | | | | | | | | | | | | | | | | | | | | | | | | | | | | | | | | | | | | | | | | | | | | | | | | | | | | | | | | | | | | | | | | | | | | | | | | | | | | | | | | | | | | | | | | | | | | | | | | | | | | | | | | | | | | | | | | | | | | | | | | | | | | | | | | | | | | | | | | | | | | | | | | | | | | | | | | | | | | | | | | | | | | | | | | | | | | | | | | | | | | | | | | | | | | | | | | | | | | | | | | | | | | | | | | | | | | | | | | | | | | | | | | | | | | | | | | | | | | | | | | | | | | | | | | | | | | | | | | | | | | | | | | | | | | | | | | | | | | | | | | | | | | | | | | | | | | | | | | | | | | | | | | | | | | | | | | | | | | | | | | | | | | | | | | | | | | | | | | | | | | | | | | | | | | | | | | | | | | | | | | | | | | | | | | | | | | | | | | | | | | | | | | | | | | | | | | | | | | | | | | | | | |
| GT | 269 | GTC | GPA | RF Amplifier | 301 | TI | GPA | AF Amplifier | AF Amplifier | 302 | TI | GPA | AF Amplifier | AF Amplifier | 310 | TI | GPA | AF Amplifier | AF Amplifier | 310 | TI | GPA | AF Amplifier | AF Amplifier | | | | | | | | | | | | | | | | | | | | | | | | | | | | | | | | | | | | | | | | | | | | | | | | | | | | | | | | | | | | | | | | | | | | | | | | | | | | | | | | | | | | | | | | | | | | | | | | | | | | | | | | | | | | | | | | | | | | | | | | | | | | | | | | | | | | | | | | | | | | | | | | | | | | | | | | | | | | | | | | | | | | | | | | | | | | | | | | | | | | | | | | | | | | | | | | | | | | | | | | | | | | | | | | | | | | | | | | | | | | | | | | | | | | | | | | | | | | | | | | | | | | | | | | | | | | | | | | | | | | | | | | | | | | | | | | | | | | | | | | | | | | | | | | | | | | | | | | | | | | | | | | | | | | | | | | | | | | | | | | | | | | | | | | | | | | | | | | | | | | | | | | | | | | | | | | | | | | | | | | | | | | | | | | | | | | | | | | | | | | | | | | | | | | | | | | | | | | | | | | | | | | | | | | | | | | | | | | | | | | | | | | | | | | | | | | | | | | | | | | | | | | | | | | | | | | | | | | | | | | | | | | | | | | | | | | | | | | | | | | | | | | | | | | | | | | | | | | | | | | | | | | | | | | | | | | | | | | | | | | | | | | | | | | | | | | | | | | | | | | | | | | | | | | | | | | | | | | | | | | | | | | | | | | | | | | | | | | | | | | | | | | | | | | | | | | | | | | | | | | | | | | | | | | | | | | | | | | | | | | | | | | | | | | | | | | | | | | | | | | | | | | | | | | | | | | | | | | | | | | | | | | | | | | | | | | | | | | | | | | | | | | | | | | | | | | | | | | | | | | | | | | | | | | | | | | | | | | | | | | | | | | | | | | | | | | | | | | | | | | | | | | | | | | | | | | | | | | | | | | | | | | | | | | | | | | | | | | | | | | | | | | | | | | | | | | | | | | | | | | | | | | | | | | | | | | | | | | | | | | | | | | | | | | | | | | | | | | | | | | | | | | | | | | | | | | | | | | | | | | | | | | | | | | | | | | | | | | | | | | | | | | | | | | | | | | | | | | | | | | | | | | | | | | | | | | | | | | | | | | | | | | | | | | | | | | | | | | | | | | | | | | | | | | | | | | | | | | | | | | | | | | | | | | | | | | | | | | | | | | | | | | | | | | | | | | | | | | | | | | |
| 301 | TI | GPA | AF Amplifier | AF Amplifier | 302 | TI | GPA | AF Amplifier | AF Amplifier | 310 | TI | GPA | AF Amplifier | AF Amplifier | 310 | TI | GPA | AF Amplifier | AF Amplifier | | | | | | | | | | | | | | | | | | | | | | | | | | | | | | | | | | | | | | | | | | | | | | | | | | | | | | | | | | | | | | | | | | | | | | | | | | | | | | | | | | | | | | | | | | | | | | | | | | | | | | | | | | | | | | | | | | | | | | | | | | | | | | | | | | | | | | | | | | | | | | | | | | | | | | | | | | | | | | | | | | | | | | | | | | | | | | | | | | | | | | | | | | | | | | | | | | | | | | | | | | | | | | | | | | | | | | | | | | | | | | | | | | | | | | | | | | | | | | | | | | | | | | | | | | | | | | | | | | | | | | | | | | | | | | | | | | | | | | | | | | | | | | | | | | | | | | | | | | | | | | | | | | | | | | | | | | | | | | | | | | | | | | | | | | | | | | | | | | | | | | | | | | | | | | | | | | | | | | | | | | | | | | | | | | | | | | | | | | | | | | | | | | | | | | | | | | | | | | | | | | | | | | | | | | | | | | | | | | | | | | | | | | | | | | | | | | | | | | | | | | | | | | | | | | | | | | | | | | | | | | | | | | | | | | | | | | | | | | | | | | | | | | | | | | | | | | | | | | | | | | | | | | | | | | | | | | | | | | | | | | | | | | | | | | | | | | | | | | | | | | | | | | | | | | | | | | | | | | | | | | | | | | | | | | | | | | | | | | | | | | | | | | | | | | | | | | | | | | | | | | | | | | | | | | | | | | | | | | | | | | | | | | | | | | | | | | | | | | | | | | | | | | | | | | | | | | | | | | | | | | | | | | | | | | | | | | | | | | | | | | | | | | | | | | | | | | | | | | | | | | | | | | | | | | | | | | | | | | | | | | | | | | | | | | | | | | | | | | | | | | | | | | | | | | | | | | | | | | | | | | | | | | | | | | | | | | | | | | | | | | | | | | | | | | | | | | | | | | | | | | | | | | | | | | | | | | | | | | | | | | | | | | | | | | | | | | | | | | | | | | | | | | | | | | | | | | | | | | | | | | | | | | | | | | | | | | | | | | | | | | | | | | | | | | | | | | | | | | | | | | | | | | | | | | | | | | | | | | | | | | | | | | | | | | | | | | | | | | | | | | | | | | | | | | | | | | | | | | | | | | | | | | | | | | | | | | | | | | | | | | | | | | | | | | | | | | | | | | | | | | | | | |
| 302 | TI | GPA | AF Amplifier | AF Amplifier | 310 | TI | GPA | AF Amplifier | AF Amplifier | 310 | TI | GPA | AF Amplifier | AF Amplifier | | | | | | | | | | | | | | | | | | | | | | | | | | | | | | | | | | | | | | | | | | | | | | | | | | | | | | | | | | | | | | | | | | | | | | | | | | | | | | | | | | | | | | | | | | | | | | | | | | | | | | | | | | | | | | | | | | | | | | | | | | | | | | | | | | | | | | | | | | | | | | | | | | | | | | | | | | | | | | | | | | | | | | | | | | | | | | | | | | | | | | | | | | | | | | | | | | | | | | | | | | | | | | | | | | | | | | | | | | | | | | | | | | | | | | | | | | | | | | | | | | | | | | | | | | | | | | | | | | | | | | | | | | | | | | | | | | | | | | | | | | | | | | | | | | | | | | | | | | | | | | | | | | | | | | | | | | | | | | | | | | | | | | | | | | | | | | | | | | | | | | | | | | | | | | | | | | | | | | | | | | | | | | | | | | | | | | | | | | | | | | | | | | | | | | | | | | | | | | | | | | | | | | | | | | | | | | | | | | | | | | | | | | | | | | | | | | | | | | | | | | | | | | | | | | | | | | | | | | | | | | | | | | | | | | | | | | | | | | | | | | | | | | | | | | | | | | | | | | | | | | | | | | | | | | | | | | | | | | | | | | | | | | | | | | | | | | | | | | | | | | | | | | | | | | | | | | | | | | | | | | | | | | | | | | | | | | | | | | | | | | | | | | | | | | | | | | | | | | | | | | | | | | | | | | | | | | | | | | | | | | | | | | | | | | | | | | | | | | | | | | | | | | | | | | | | | | | | | | | | | | | | | | | | | | | | | | | | | | | | | | | | | | | | | | | | | | | | | | | | | | | | | | | | | | | | | | | | | | | | | | | | | | | | | | | | | | | | | | | | | | | | | | | | | | | | | | | | | | | | | | | | | | | | | | | | | | | | | | | | | | | | | | | | | | | | | | | | | | | | | | | | | | | | | | | | | | | | | | | | | | | | | | | | | | | | | | | | | | | | | | | | | | | | | | | | | | | | | | | | | | | | | | | | | | | | | | | | | | | | | | | | | | | | | | | | | | | | | | | | | | | | | | | | | | | | | | | | | | | | | | | | | | | | | | | | | | | | | | | | | | | | | | | | | | | | | | | | | | | | | | | | | | | | | | | | | | | | | | | | | | | | | | | | | | | | | | | | | | | | | | | | | | | | | | |
| 310 | TI | GPA | AF Amplifier | AF Amplifier | 310 | TI | GPA | AF Amplifier | AF Amplifier | | | | | | | | | | | | | | | | | | | | | | | | | | | | | | | | | | | | | | | | | | | | | | | | | | | | | | | | | | | | | | | | | | | | | | | | | | | | | | | | | | | | | | | | | | | | | | | | | | | | | | | | | | | | | | | | | | | | | | | | | | | | | | | | | | | | | | | | | | | | | | | | | | | | | | | | | | | | | | | | | | | | | | | | | | | | | | | | | | | | | | | | | | | | | | | | | | | | | | | | | | | | | | | | | | | | | | | | | | | | | | | | | | | | | | | | | | | | | | | | | | | | | | | | | | | | | | | | | | | | | | | | | | | | | | | | | | | | | | | | | | | | | | | | | | | | | | | | | | | | | | | | | | | | | | | | | | | | | | | | | | | | | | | | | | | | | | | | | | | | | | | | | | | | | | | | | | | | | | | | | | | | | | | | | | | | | | | | | | | | | | | | | | | | | | | | | | | | | | | | | | | | | | | | | | | | | | | | | | | | | | | | | | | | | | | | | | | | | | | | | | | | | | | | | | | | | | | | | | | | | | | | | | | | | | | | | | | | | | | | | | | | | | | | | | | | | | | | | | | | | | | | | | | | | | | | | | | | | | | | | | | | | | | | | | | | | | | | | | | | | | | | | | | | | | | | | | | | | | | | | | | | | | | | | | | | | | | | | | | | | | | | | | | | | | | | | | | | | | | | | | | | | | | | | | | | | | | | | | | | | | | | | | | | | | | | | | | | | | | | | | | | | | | | | | | | | | | | | | | | | | | | | | | | | | | | | | | | | | | | | | | | | | | | | | | | | | | | | | | | | | | | | | | | | | | | | | | | | | | | | | | | | | | | | | | | | | | | | | | | | | | | | | | | | | | | | | | | | | | | | | | | | | | | | | | | | | | | | | | | | | | | | | | | | | | | | | | | | | | | | | | | | | | | | | | | | | | | | | | | | | | | | | | | | | | | | | | | | | | | | | | | | | | | | | | | | | | | | | | | | | | | | | | | | | | | | | | | | | | | | | | | | | | | | | | | | | | | | | | | | | | | | | | | | | | | | | | | | | | | | | | | | | | | | | | | | | | | | | | | | | | | | | | | | | | | | | | | | | | | | | | | | | | | | | | | | | | | | | | | | | | | | | | | | | | | | | | | | | | | | | | | | | | | | | | | | | | |
| 310 | TI | GPA | AF Amplifier | AF Amplifier | | | | | | | | | | | | | | | | | | | | | | | | | | | | | | | | | | | | | | | | | | | | | | | | | | | | | | | | | | | | | | | | | | | | | | | | | | | | | | | | | | | | | | | | | | | | | | | | | | | | | | | | | | | | | | | | | | | | | | | | | | | | | | | | | | | | | | | | | | | | | | | | | | | | | | | | | | | | | | | | | | | | | | | | | | | | | | | | | | | | | | | | | | | | | | | | | | | | | | | | | | | | | | | | | | | | | | | | | | | | | | | | | | | | | | | | | | | | | | | | | | | | | | | | | | | | | | | | | | | | | | | | | | | | | | | | | | | | | | | | | | | | | | | | | | | | | | | | | | | | | | | | | | | | | | | | | | | | | | | | | | | | | | | | | | | | | | | | | | | | | | | | | | | | | | | | | | | | | | | | | | | | | | | | | | | | | | | | | | | | | | | | | | | | | | | | | | | | | | | | | | | | | | | | | | | | | | | | | | | | | | | | | | | | | | | | | | | | | | | | | | | | | | | | | | | | | | | | | | | | | | | | | | | | | | | | | | | | | | | | | | | | | | | | | | | | | | | | | | | | | | | | | | | | | | | | | | | | | | | | | | | | | | | | | | | | | | | | | | | | | | | | | | | | | | | | | | | | | | | | | | | | | | | | | | | | | | | | | | | | | | | | | | | | | | | | | | | | | | | | | | | | | | | | | | | | | | | | | | | | | | | | | | | | | | | | | | | | | | | | | | | | | | | | | | | | | | | | | | | | | | | | | | | | | | | | | | | | | | | | | | | | | | | | | | | | | | | | | | | | | | | | | | | | | | | | | | | | | | | | | | | | | | | | | | | | | | | | | | | | | | | | | | | | | | | | | | | | | | | | | | | | | | | | | | | | | | | | | | | | | | | | | | | | | | | | | | | | | | | | | | | | | | | | | | | | | | | | | | | | | | | | | | | | | | | | | | | | | | | | | | | | | | | | | | | | | | | | | | | | | | | | | | | | | | | | | | | | | | | | | | | | | | | | | | | | | | | | | | | | | | | | | | | | | | | | | | | | | | | | | | | | | | | | | | | | | | | | | | | | | | | | | | | | | | | | | | | | | | | | | | | | | | | | | | | | | | | | | | | | | | | | | | | | | | | | | | | | | | | | | | | | | | | | | | | | | | | | | | | | |

For key to symbols in columns 3 and 4, see page 23.

CIRCUITS

The circuits shown in the following pages are included in this booklet to illustrate some of the more important applications of RCA transistors and semiconductor diodes. These circuits are not necessarily examples of commercial practice. They have been conservatively designed and are capable of excellent performance. Electrical specifications are given for circuit components to assist those interested in home construction. Layouts and mechanical details are omitted because they vary widely with the requirements of individual set builders and with the sizes and shapes

of the components employed.

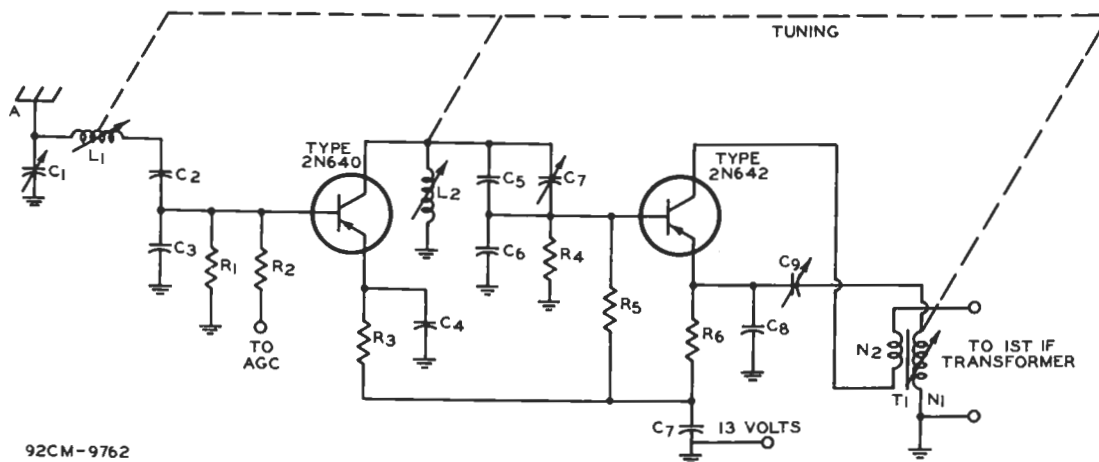
Performance of these circuits depends as much on the quality of the components selected and the care employed in layout and construction as on the circuits themselves. Good signal reproduction from receivers and amplifiers requires the use of good-quality speakers, transformers, inductors, and input sources (microphones, phonograph pickups, etc.).

The following circuits will be found in the subsequent pages:

INDEX

| Circuit | Page | Circuit | Page |
|--|--------|--|------|
| 1. Six-Transistor Receiver | 30 | 18. One-Stage Neutralized 455-Kc IF Amplifier.. | 36 |
| 2. Two-Transistor Receiver | 29 | 19. Two-Stage Unneutralized 455-Kc IF Amplifier | 36 |
| 3. Four-Transistor Receiver | 29 | 20. Audio Power Amplifier..... | 36 |
| 4. RF Amplifier and Converter..... | 28 | 21. Three-Transistor Gate | 37 |
| 5. Five-Transistor Reflex Receiver..... | 31 | 22. 1-Mc Complementing Flip-Flop..... | 37 |
| 6. Automobile Receiver Audio Amplifier..... | 31 | 23. High-Gain Transformerless Signal-Tracing Probe | 37 |
| 7. Unneutralized Tuned RF Amplifier..... | 31 | 24. DC-to-DC Converter | 37 |
| 8. 100-Mc Oscillator | 31 | 25. Thermostat | 38 |
| 9. Microphone Preamplifier | 32 | 26. IF and Broadcast Band Signal Tracer..... | 38 |
| 10. Phonograph Preamplifier | 32 | 27. Barrier Light Flasher..... | 38 |
| 11. Phonograph Amplifier | 32 | 28. Tower Light Flasher..... | 38 |
| 12. Complementary-Symmetry Amplifier | 32 | 29. Telephone Pickup Amplifier..... | 39 |
| 13. High-Gain, Low-Distortion, Low-Drain Audio Amplifier | 33 | 30. Sensitive Relay | 39 |
| 14. 25-Watt High-Fidelity Amplifier..... | 33 | 31. Code-Practice Oscillator | 39 |
| 15. Eight-Transistor Three-Band Receiver..... | 34, 35 | 32. Grip-Dip Meter | 39 |
| 16. Three-Stage 10.7-Mc IF Amplifier..... | 35 | 33. Hearing Aid | 39 |
| 17. 75-Mc TRF Amplifier..... | 36 | | |

RF AMPLIFIER AND CONVERTER Automobile Radio Receiver



92CM-9762

A = Whip Antenna, 50-95 $\mu\mu\text{f}$
 C1 = Trimmer Capacitor, 160 $\mu\mu\text{f}$ (nominal value)
 C2 = 240 $\mu\mu\text{f}$, ceramic, 50 v.
 C3 = 0.0033 μf , ceramic, 50 v.
 C4 = 0.05 μf , ceramic, 50 v.
 C5 = 680 $\mu\mu\text{f}$, ceramic, 50 v.

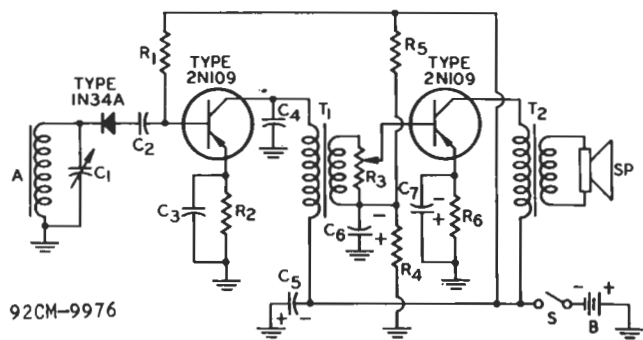
C6 = 0.0015 μf , ceramic, 50 v.
 C7 = 0.05 μf , ceramic, 50 v.
 C8 = 0.005 μf , ceramic, 50 v.
 C9 = Trimmer Capacitor, 470 $\mu\mu\text{f}$ (nominal value)
 L1 = Antenna Coil, unloaded Q of 50 at 1 Mc

L2 = RF Coil, unloaded Q of 45 at 1 Mc
 R1 = 120,000 ohms, 0.5 watt
 R2 = 10,000 ohms, 0.5 watt
 R3 = 1,000 ohms, 0.5 watt
 R4 = 150,000 ohms, 0.5 watt
 R5 = 15,000 ohms, 0.5 watt

R6 = 3,300 ohms, 0.5 watt
 T1 = Oscillator Transformer, unloaded Q of 55 at 1.2625 Mc or 1.455 Mc (tuning capacitance = 470 $\mu\mu\text{f}$), turns ratio: $N_1/N_2 = 5$

CIRCUITS

TWO-TRANSISTOR RECEIVER Standard AM Broadcast Band

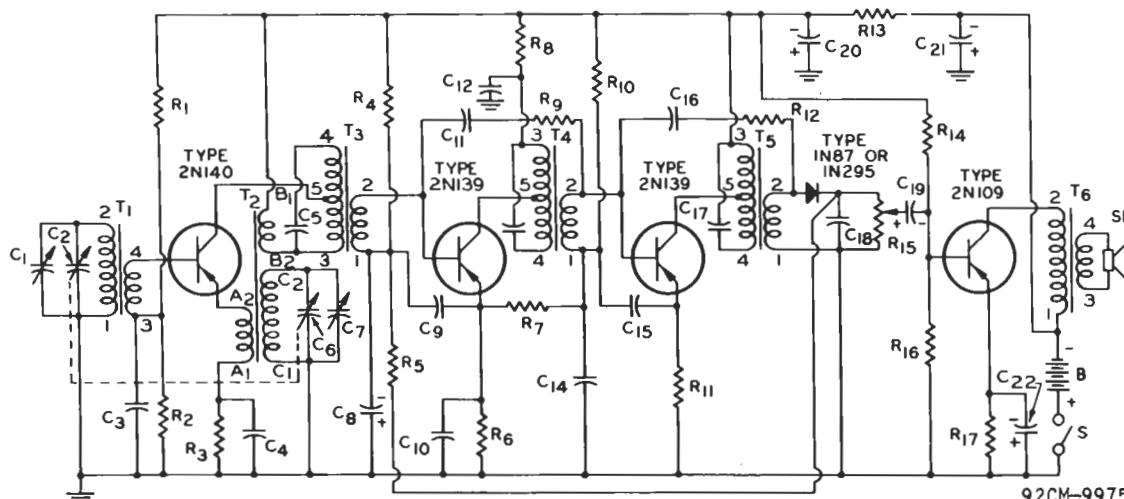


92CM-9976

A1 = Ferrite loop antenna, 540-1600 Kc
 B = 9 volts, VS300 or VS301
 C1 = Variable capacitor, 540-1600 Kc
 C2 = 0.01 μ f, paper, 150 v.
 C3 = 0.05 μ f, paper, 150 v.
 C4 = 0.001 μ f, paper, 150 v.
 C5 = 10 μ f, electrolytic, 9 v.
 C6 = 10 μ f, electrolytic, 3 v.
 C7 = 100 μ f, electrolytic, 6 v.
 R1 = 0.1 megohm, 0.5 watt
 R2 = 50 ohms, 0.5 watt
 R3 = Volume-control potentiometer, 5000 ohms, 0.5 watt
 R4 = 5600 ohms, 0.5 watt

R5 = 10000 ohms, 0.5 watt
 R6 = 220 ohms, 0.5 watt
 SP = Speaker, high-sensitivity
 T1 = Interstage audio transformer to provide a 3000-ohm load at the primary terminals with a 1000-ohm load between the secondary terminals. DC primary current = 0.5 ma. DC primary resistance = 1000 ohms.
 T2 = Output transformer to provide a 500-ohm load at the primary terminals with the desired speaker connected to the secondary terminals.

FOUR-TRANSISTOR RECEIVER Standard AM Broadcast Band



92CM-9975

B = 9 volts, VS300 or VS301
 C1 = Trimmer capacitor, 0-20 μ f
 C2 = Variable capacitor, 12-230 μ f
 C3 = 0.05 μ f, paper, 150 v.
 C4 = 0.04 μ f, mica, 150 v.
 C5 = 220 μ f, mica, 150 v.
 C6 = Variable capacitor, 10-105 μ f
 C7 = Trimmer capacitor, 0-20 μ f

C8 = 10 μ f, electrolytic, 15 v.
 C9 = 0.05 μ f, paper, 150 v.
 C10 = 0.05 μ f, paper, 150 v.
 C11 = 75 μ f, mica, 150 v.
 C12 = 0.05 μ f, paper, 150 v.
 C13 = 220 μ f, mica, 150 v.
 C14 = 0.05 μ f, paper, 150 v.
 C15 = 0.05 μ f, paper, 150 v.
 C16 = 33 μ f, mica, 150 v.
 C17 = 220 μ f, mica, 150 v.
 C18 = 0.05 μ f, paper, 150 v.
 C19 = 2 μ f, electrolytic, 15 v.

C20 = 50 μ f, electrolytic, 15 v.
 C21 = 50 μ f, electrolytic, 15 v.
 C22 = 100 μ f, electrolytic, 15 v.
 R1 = 27,000 ohms, $\frac{1}{8}$ watt
 R2 = 6,800 ohms, $\frac{1}{8}$ watt
 R3 = 3,300 ohms, $\frac{1}{8}$ watt
 R4 = 120,000 ohms, $\frac{1}{8}$ watt
 R5 = 18,000 ohms, $\frac{1}{8}$ watt
 R6 = 1200 ohms, $\frac{1}{8}$ watt
 R7 = 75,000 ohms, $\frac{1}{8}$ watt
 R8 = 560 ohms, $\frac{1}{4}$ watt

R9 = 560 ohms, $\frac{1}{4}$ watt
 R10 = 150,000 ohms, $\frac{1}{8}$ watt
 R11 = 1200 ohms, $\frac{1}{8}$ watt
 R12 = 2000 ohms, $\frac{1}{8}$ watt
 R13 = 100 ohms, $\frac{1}{8}$ watt
 R14 = 10,000 ohms, $\frac{1}{8}$ watt
 R15 = Volume control, 2500 ohms, $\frac{1}{4}$ watt
 R16 = 5600 ohms, $\frac{1}{8}$ watt
 R17 = 220 ohms, $\frac{1}{8}$ watt
 R7 = 75,000 ohms, $\frac{1}{8}$ watt
 SP = Speaker

T1 = Antenna transformer wound on the largest feasible ferrite core to provide the following characteristics:
 Primary Inductance (With secondary open) 353 μ h
 Primary Q at 1 Mc, mounted on chassis with secondary open 200
 Equivalent output resistance across secondary terminals, at 1 Mc with primary tuned 600 ohms
 The primary should be wound on one end of the ferrite rod with spacing between turns equal to the thickness of the wire. The secondary should be wound on the opposite end of the ferrite rod with no spacing between turns (close wound). The end of the primary winding nearest the secondary is the ground end. Use #7/41 Litz wire. A ferrite rod about 8" long and $\frac{3}{8}$ " in diameter will provide excellent results.
 T2 = Oscillator transformer. Wind as follows:
 Using a threaded resinite coil form about 1" long with internal threads to match a $\frac{1}{4}$ "-diameter ferrite core about $\frac{3}{4}$ " in length, wind 4 turns near the center of the coil form. This winding is located between the terminals marked A1 and A2 on the circuit diagram. The winding between terminals B1 and B2 consists of a 10-turn winding and is wound on top of the 4-turn winding. The winding between terminals C1 and C2 is wound on top of the other two windings and is a multilayer 115-turn winding. This winding should extend over a length of about $\frac{3}{8}$ ". All the windings are universally wound with #5/44 Litz wire. A resinite collar with 6-terminals may be fitted over one end of the coil form to provide secure anchorage for the ends of the windings and convenient terminals for making connections to the windings. When the transformer is completed, connect a 120- μ f capacitor across the 115-turn winding and tune the ferrite core to obtain resonance at 1.455 Mc with the other two windings open circuited. The Q of this winding under the same conditions should be 100 or greater.

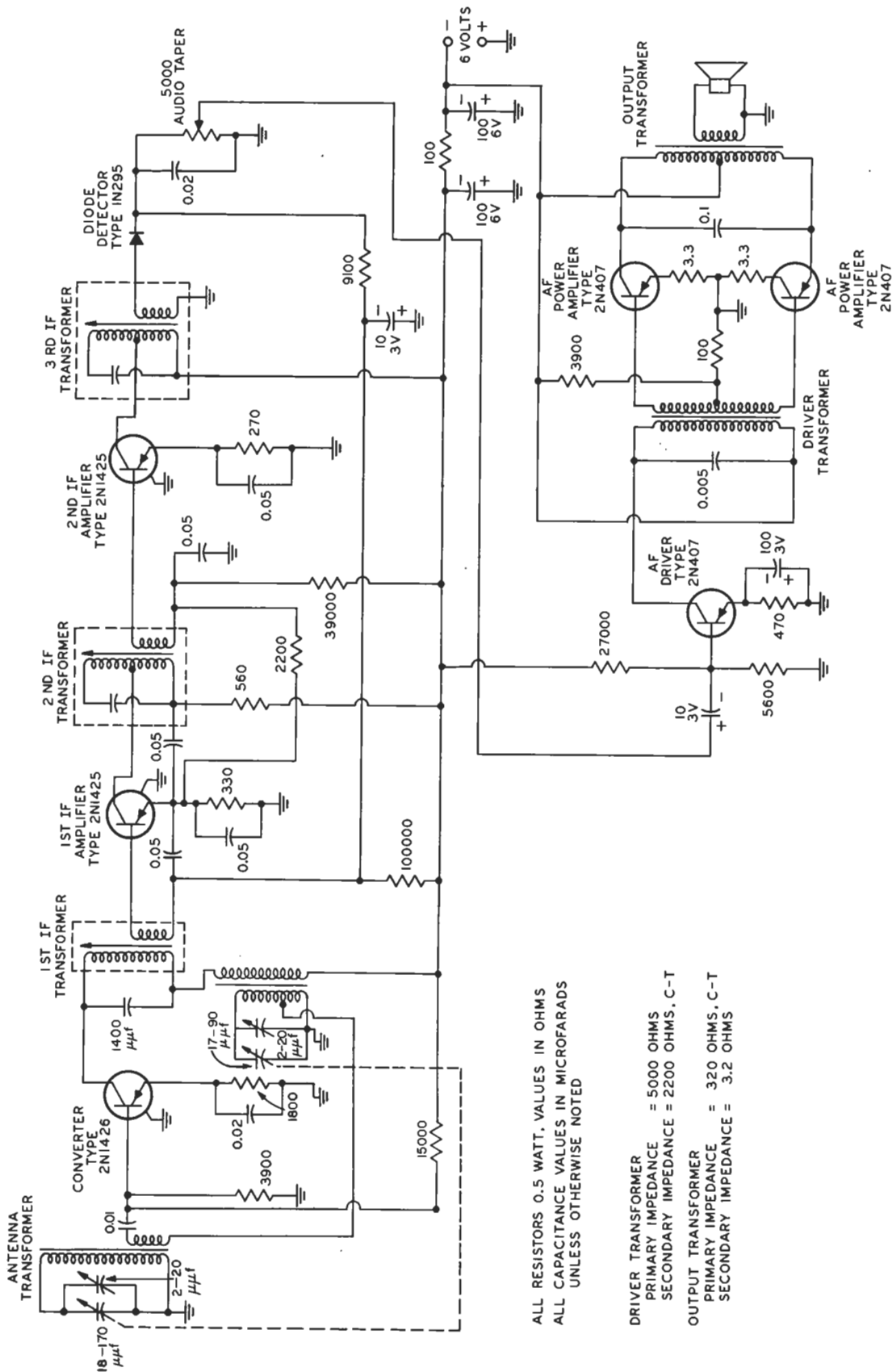
T3, T4, T5 = Intermediate-frequency transformers. Using materials like those described for the oscillator transformer T2, wind T3, T4, and T5 to meet the following requirements:

| | T3 | T4 | T5 |
|--|---------|--------|-------------|
| Tuned resistance at primary tap | 118,000 | 15,300 | 17,200 ohms |
| Primary (terminals 3 and 5): Reflected resistance with secondary terminated | 206,000 | 29,000 | 10,900 ohms |
| Secondary (terminals 1 and 2): Reflected resistance with primary terminated | 1,000 | 500 | 1,000 ohms |
| Turns Ratios: Terminals 4 and 3 to terminals 5 and 3 | 1.17 | 2.48 | 3.16 |
| Terminals 5 and 3 to terminals 2 and 1 | 14.35 | 7.62 | 3.3 |
| Core (Ferrite): Unloaded Q (mounted in chassis) | 110 | 61 | 110 |
| Loaded Q (mounted in chassis) | 35 | 35 | 35 |

T6 = Class A output transformer, primary impedance = 500 ohms, secondary impedance = 3.2 ohms

NOTE: The following transformers or equivalents may be used in the construction of this circuit: T1, Delta type 1-167; T2, Delta type 1-153; T3, Automatic type EX-04770; T4, Automatic type EX-04908; T5, Automatic type EX-04909; T6, Lafayette type TR-83.

SIX-TRANSISTOR RECEIVER
Standard AM Broadcast Band



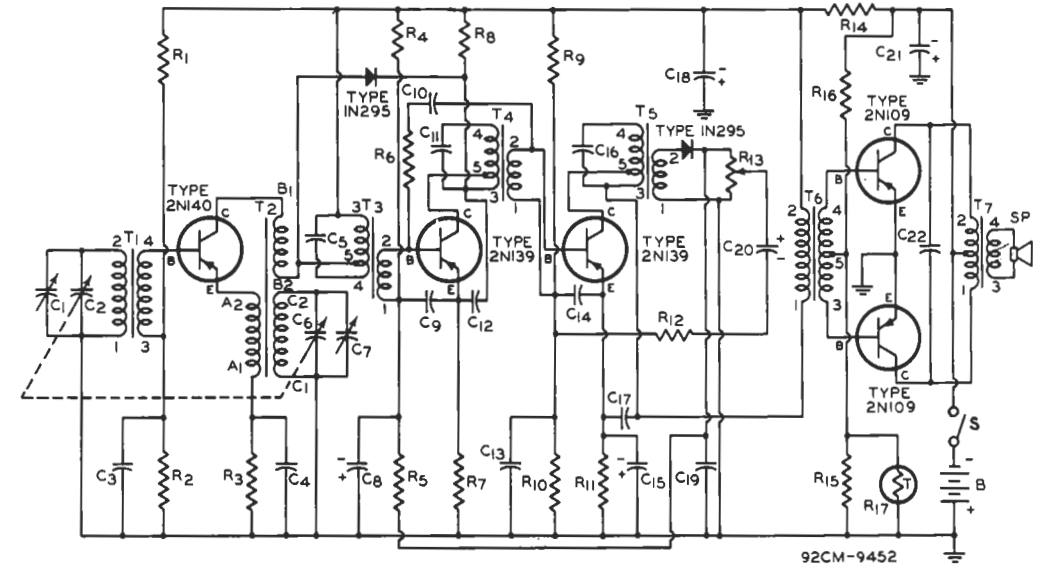
ALL RESISTORS 0.5 WATT, VALUES IN OHMS
ALL CAPACITANCE VALUES IN MICROFARADS
UNLESS OTHERWISE NOTED

DRIVER TRANSFORMER
PRIMARY IMPEDANCE = 5000 OHMS
SECONDARY IMPEDANCE = 2200 OHMS, C-T
OUTPUT TRANSFORMER
PRIMARY IMPEDANCE = 320 OHMS, C-T
SECONDARY IMPEDANCE = 3.2 OHMS

CIRCUITS

FIVE-TRANSISTOR REFLEX RECEIVER Standard AM Broadcast Band

- B = 9 volts, VS300 or VS306
 C1 = Trimmer capacitor, 0-20 μf
 C2 = Variable capacitor, 12-230 μf
 C3 = 0.04 μf , paper, 150 v.
 C4 = 0.04 μf , paper, 150 v.
 C5 = Fixed tuner capacitor, 220 μf
 C6 = Variable capacitor, 10-105 μf
 C7 = Trimmer capacitor, 0-20 μf
 C8 = 10 μf , electrolytic, 15 v.
 C9 = 0.04 μf , paper, 150 v.
 C10 = 75 μf , mica, 150 v.
 C11 = Fixed tuner capacitor, 220 μf
 C12 = 0.04 μf , paper, 150 v.
 C13 = 0.04 μf , paper, 150 v.
 C14 = 0.04 μf , paper, 150 v.
 C15 = 50 μf , electrolytic, 15 v.
 C16 = Fixed tuner capacitor, 220 μf
 C17 = 0.02 μf , paper, 150 v.
 C18 = 50 μf , electrolytic, 15 v.
 C19 = 0.04 μf , paper, 150 v.
 C20 = 10 μf , electrolytic, 15 v.
 C21 = 50 μf , electrolytic, 15 v.
 C22 = 0.03, paper, 150 v.
 R1 = 33,000 ohms, 0.5 watt
 R2 = 2,400 ohms, 0.5 watt
 R3 = 820 ohms, 0.5 watt
 R4 = 120,000 ohms, 0.5 watt
 R5 = 18,000 ohms, 0.5 watt
 R6 = 510 ohms, 0.5 watt
 R7 = 1,200 ohms, 0.5 watt
 R8 = 1,200 ohms, 0.5 watt
 R9 = 68,000 ohms, 0.5 watt
 R10 = 10,000 ohms, 0.5 watt
 R11 = 680 ohms, 0.5 watt
 R12 = 820 ohms, 0.5 watt



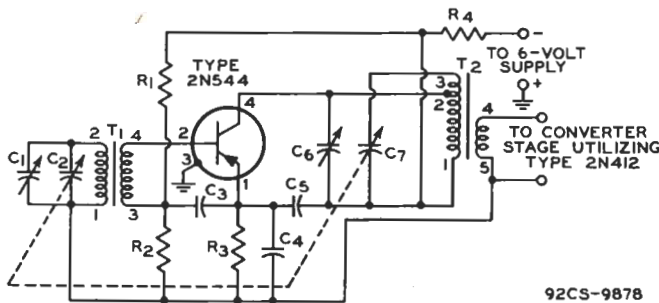
- R13 = Volume-control potentiometer, 2500 ohms, 0.5 watt
 R14 = 100 ohms, 0.5 watt
 R15 = 180 ohms, 0.5 watt
 R16 = 6,200 ohms, 0.5 watt
 R17 = Thermistor, 495 ohms at 0°C, 150 ohms at 25°C, and 54 ohms at 50°C.
 SP = Speaker

- T1 = Antenna transformer (same as T1 of the four-transistor receiver)
 T2 = Oscillator transformer (same as T2 of the four-transistor receiver)
 T3, T4, T5 = Intermediate-frequency transformers

- T6 = Driver transformer, primary impedance = 5000 ohms, secondary impedance (base-to-base, center tapped) = 2000 ohms.
 T7 = Class B output transformer, primary impedance (collector-to-collector, center tapped) = 800 ohms, secondary impedance = 12 ohms.

NOTE: The following transformers or equivalents may be used in the construction of this circuit: T1, Delta type 1-167; T2, Delta type 1-153; T3, Automatic type EX-04770; T4, Automatic type EX-04908; T5, Automatic type EX-06943; T6, Argonne type AR-173; T7, Argonne type AR-160. For thermistor R17, use Thermistor Corporation of America type 21.5 TD1 or equivalent.

UNNEUTRALIZED TUNED RF AMPLIFIER



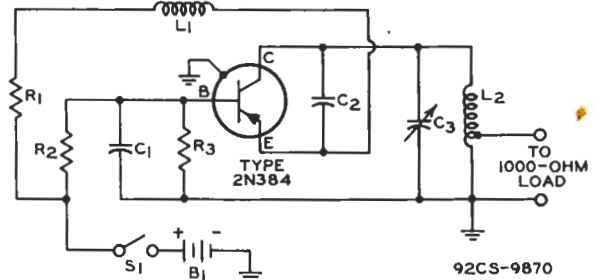
- C1 = Trimmer capacitor, 0-20 μf
 C2 = Variable capacitor, 22-185 μf
 C3 = 0.05 μf , ceramic, 50 v.
 C4 = 0.05 μf , ceramic, 50 v.
 C5 = 0.05 μf , ceramic, 50 v.
 C6 = Trimmer capacitor, 0-20 μf
 C7 = Variable capacitor, 22-185 μf
 R1 = 39,000 ohms, 0.5 watt
 R2 = 3,900 ohms, 0.5 watt

- R3 = 470 ohms, 0.5 watt
 R4 = 470 ohms, 0.5 watt
 T1 = Antenna transformer. Primary (100 turns) and secondary (6 turns) wound with #7/41 Litz wire on a rectangular core (4" x 3 3/4" x 1 1/8") to provide the requirements listed below.
 T2 = Radio-frequency transformer meeting the requirements listed below.

| | T1 | T2 |
|--|-----------|------------|
| Primary tuned resistance | 1,000,000 | 3,630 ohms |
| Primary input resistance with secondary terminated in R_{in} | 500,000 | 3,590 ohms |
| Secondary terminating resistance (R_{in}) | 1,800 | 800 ohms |
| Turns Ratios: | | |
| Terminals 3 and 1 to 2 and 1 | — | 6.48 |
| Terminals 2 and 1 to 4 and 5 | — | 2.12 |
| Core (Ferrite): | | |
| Unloaded Q | 370 | 52 |
| Loaded Q | 185 | 25.6 |

NOTE ONE: Transformer descriptions apply for a frequency of 1 Mc. Typical power gain of stage is 26 db.

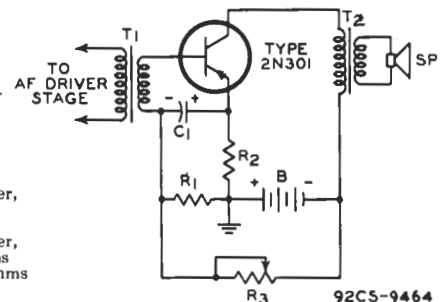
100-Mc OSCILLATOR



- B1 = 12 volts
 C1 = 0.01 μf , paper, 50 v.
 C2 = 5 μf , mica, 50 v.
 C3 = Variable capacitor, 3-15 μf
 L1 = Radio-frequency choke, 5 μh . Using a 1-megohm, 0.5-watt resistor as a coil-form, close wind 30 turns of #38 enamel wire (Miller type 4610 or equivalent)

- L2 = 0.16 μh . Using a 1/4"-diameter coil form, wind 6 turns of #14 wire over a length of 3/8". Tap to load at one turn from the bottom of the coil.
 S1 = Switch
 R1 = 1,000 ohms, 0.5 watt
 R2 = 16,000 ohms, 0.5 watt
 R3 = 2,400 ohms, 0.5 watt

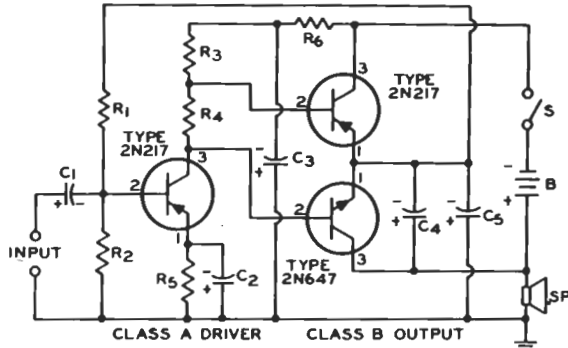
AUTOMOBILE RECEIVER AUDIO AMPLIFIER Class A; Output, 4 Watts



- B = 14.4 volts (12-volt automobile battery source)
 C1 = 500 μf , electrolytic, 15 v.
 R1 = 27 ohms, 1 watt
 R2 = 1 ohm, 1 watt
 R3 = Bias-control potentiometer, 500 ohms, 1 watt
 T1 = Driver transformer
 T2 = Class A output transformer, primary impedance = 15 ohms, secondary impedance = 3.2 ohms

CIRCUITS

COMPLEMENTARY-SYMMETRY AMPLIFIER

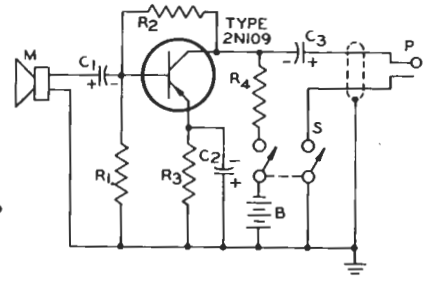


92CS-9843

B = 6 volts
 C1 = 5 μ f, electrolytic, 6 v.
 C2, C3 = 50 μ f, electrolytic, 6 v.
 C4 = 0.5 μ f, electrolytic, 6 v.
 C5 = 50 μ f, electrolytic, 6 v.
 R1 = 12,000 ohms, 0.5 watt

R2 = 8,200 ohms, 0.5 watt
 R3 = 1,500 ohms, 0.5 watt
 R4 = 180 ohms, 0.5 watt
 R5 = 560 ohms, 0.5 watt
 R6 = 330 ohms, 0.5 watt
 S = Switch
 SP = Speaker, 45-ohm voice coil

MICROPHONE PREAMPLIFIER



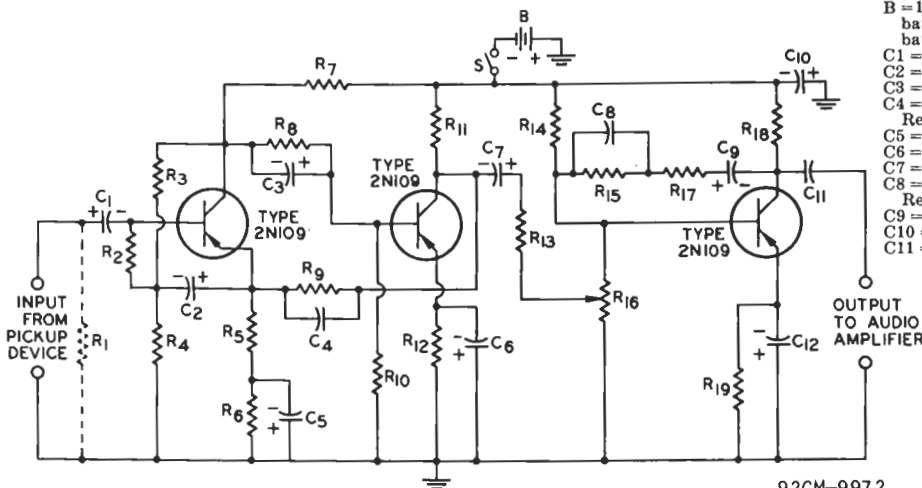
92CS-9973

B = 9 volts, VS300 or VS301
 C1 = 52 μ f, electrolytic, 12 v.
 C2 = 50 μ f, electrolytic, 12 v.
 C3 = 2.5 μ f, electrolytic, 25 v.
 M = RCA-239S1 2 1/8" Speaker
 P = Plug to make connection to audio amplifier
 R1 = 10000 ohms, 0.5 watt
 R2 = 68000 ohms, 0.5 watt
 R3 = 1200 ohms, 0.5 watt
 R4 = 8200 ohms, 0.5 watt
 S = Switch, push-button, double-pole single throw, non-locking

NOTE: The low-frequency characteristics of the RCA-239S1 2 1/8" speaker can be improved for operation as a microphone by gluing a small disk of felt over each of the holes, except one, on the back of the speaker. The last hole

should be covered with a piece of fibre or cardboard having a 1/8" hole. A baffle such as a case should be provided for the speaker. If an enclosed case is used, a 1/8" hole should be drilled in the case.

PHONOGRAPH PREAMPLIFIER



92CM-9972

NOTE: With low-inductance pickup, R1 = 2000 ohms, R5 = 200 ohms. With high-inductance pickup, omit R1, R5 = 1000 ohms. With piezoelectric-crystal pickup, R1 = 47000 ohms, R5 = 500 ohms, also insert a paper capacitor of 100 μ f in series with the pickup. C11 = 0.02 μ f when preceding a tube amplifier stage, or 25 μ f when preceding a transistor amplifier stage.

B = 12 volts, 9 cells from VS087 battery assembly or 8 VS035 batteries connected in series
 C1 = 15 μ f, electrolytic, 6 v.
 C2 = 5 μ f, electrolytic, 12 v.
 C3 = 1 μ f, electrolytic, 12 v.
 C4 = Equalization component. Refer to chart below.
 C5 = 10 μ f, electrolytic, 3 v.
 C6 = 100 μ f, electrolytic, 3 v.
 C7 = 5 μ f, electrolytic, 12 v.
 C8 = Equalization component. Refer to chart below.
 C9 = 1 μ f, electrolytic, 12 v.
 C10 = 100 μ f, electrolytic, 25 v.
 C11 = 0.02 μ f, paper, 150 v.
 C12 = 100 μ f, electrolytic, 3 v.
 R1 = Refer to note below
 R2 = 0.01 megohm, 0.5 watt
 R3 = 3900 ohms, 0.5 watt
 R4 = 0.01 megohm, 0.5 watt
 R5 = Refer to note below
 R6 = 33000 ohms, 0.5 watt
 R7 = 22000 ohms, 0.5 watt
 R8 = 0.1 megohm, 0.5 watt
 R9 = 30000 ohms, 0.5 watt
 R10 = 0.01 megohm, 0.5 watt
 R11 = 15000 ohms, 0.5 watt
 R12 = 1000 ohms, 0.5 watt
 R13 = 3900 ohms, 0.5 watt
 R14 = 0.12 megohm, 0.5 watt.
 R15 = Equalization component. Refer to chart below

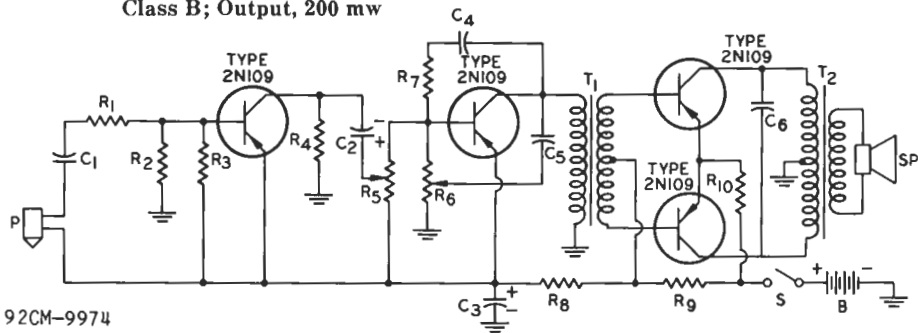
R16 = Potentiometer, 5000 ohms, 0.5 watt, volume-control
 R17 = 15000 ohms, 0.5 watt
 R18 = 0.01 megohm, 0.5 watt
 R19 = 510 ohms, 0.5 watt

EQUALIZATION COMPONENTS

| Curve | C4 μ f | C8 μ f | R15 ohms |
|-------|------------|------------|----------|
| R1A | 0.0045 | 0.02 | 300,000 |
| AES | 0.0033 | 0.038 | omit |
| LP | 0.0065 | 0.026 | 75000 |
| NAB | 0.0065 | 0.025 | omit |
| Flat | omit | omit | short |

PHONOGRAPH AMPLIFIER

Class B; Output, 200 mw



92CM-9974

B = 9 volts, VS300 or VS301
 C1 = 0.01 μ f, paper, 150 v.
 C2 = 1 μ f, electrolytic, 12 v.
 C3 = 50 μ f, electrolytic, 12 v.
 C4 = 0.003 μ f, paper, 150 v.
 C5 = 0.002 μ f, paper, 150 v.
 C6 = 0.04 μ f, paper, 150 v.
 P = Phonograph cartridge, ceramic
 R1 = 1 megohm, 0.5 watt
 R2 = 0.22 megohm, 0.5 watt
 R3 = 4700 ohms, 0.5 watt
 R4 = 1500 ohms, 0.5 watt
 R5 = Potentiometer, 5000 ohms, 0.5 watt, volume-control
 R6 = Potentiometer, 0.1 megohm, 0.5 watt, bass-boost
 R7 = 0.22 megohm, 0.5 watt
 R8 = 680 ohms, 0.5 watt
 R9 = 27 ohms, 0.5 watt
 R10 = 33 ohms, 0.5 watt
 SP = Speaker
 T1 = Interstage audio transformer with center-tapped secondary to provide a 3000-ohm load at the primary

terminals with a 5000-ohm load between the outer secondary terminals. DC primary current = 1.5 ma. DC primary resistance = 300 ohms.
 T2 = Output transformer with center-tapped primary to

provide a 550-ohm load between the outer primary terminals with the desired speaker connected to the secondary terminals. DC current unbalance between halves of primary = 1 ma.

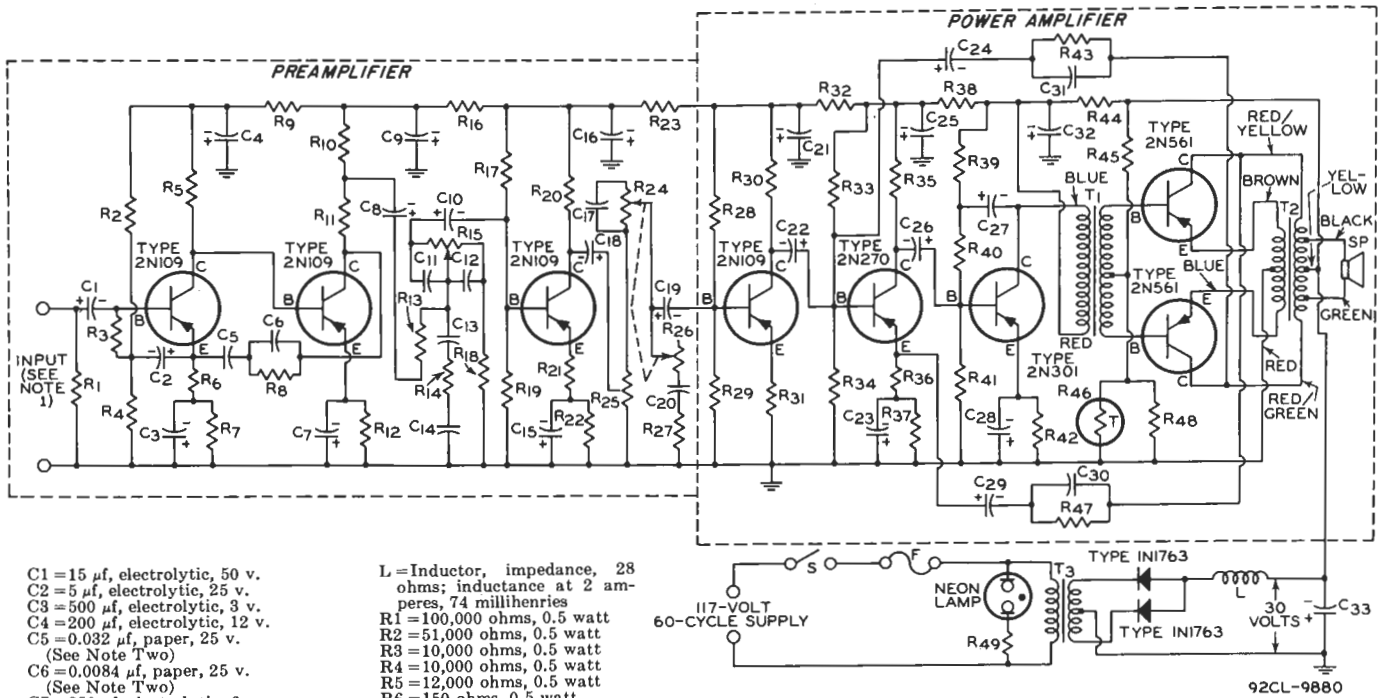
DC primary resistance = 15 ohms per section.

Battery Current:
 No-signal current = 6 ma
 Average current = 26 ma
 Peak current = 42 ma

NOTE: The following transformers or equivalents may be used in the construction of this circuit: T1, Argonne type AR-154; T2, Thordarson type TR-27.

CIRCUITS

25-WATT HIGH-FIDELITY AMPLIFIER



- C1 = 15 μ f, electrolytic, 50 v.
 C2 = 5 μ f, electrolytic, 25 v.
 C3 = 500 μ f, electrolytic, 3 v.
 C4 = 200 μ f, electrolytic, 12 v.
 C5 = 0.032 μ f, paper, 25 v.
 (See Note Two)
 C6 = 0.0084 μ f, paper, 25 v.
 (See Note Two)
 C7 = 250 μ f, electrolytic, 6 v.
 C8 = 10 μ f, electrolytic, 25 v.
 C9 = 100 μ f, electrolytic, 25 v.
 C10 = 10 μ f, electrolytic, 25 v.
 C11 = 0.15 μ f, paper, 200 v.
 C12 = 1 μ f, paper, 200 v.
 C13 = 0.01 μ f, paper, 25 v.
 C14 = 0.1 μ f, paper, 25 v.
 C15 = 500 μ f, electrolytic, 3 v.
 C16 = 100 μ f, electrolytic, 25 v.
 C17 = 270 μ f, ceramic, 500 v.
 C18 = 10 μ f, electrolytic, 25 v.
 C19 = 10 μ f, electrolytic, 25 v.
 C20 = 0.15 μ f, paper, 200 v.
 C21 = 100 μ f, electrolytic, 25 v.
 C22 = 10 μ f, electrolytic, 25 v.
 C23 = 500 μ f, electrolytic, 3 v.
 C24 = 4 μ f, electrolytic, 50 v.
 C25 = 250 μ f, electrolytic, 25 v.
 C26 = 10 μ f, electrolytic, 25 v.
 C27 = 10 μ f, electrolytic, 50 v.
 C28 = 500 μ f, electrolytic, 3 v.
 C29 = 4 μ f, electrolytic, 50 v.
 C30 = 600 μ f, paper, 300 v.
 C31 = 130 μ f, paper, 500 v.
 C32 = 500 μ f, electrolytic, 50 v.
 C33 = 2000 μ f, electrolytic, 50 v.
 F = Fuse, 1 ampere

- L = Inductor, impedance, 28 ohms; inductance at 2 amperes, 74 millihenries
 R1 = 100,000 ohms, 0.5 watt
 R2 = 51,000 ohms, 0.5 watt
 R3 = 10,000 ohms, 0.5 watt
 R4 = 10,000 ohms, 0.5 watt
 R5 = 12,000 ohms, 0.5 watt
 R6 = 150 ohms, 0.5 watt
 R7 = 3,300 ohms, 0.5 watt
 R8 = 10,000 ohms \pm 5%, 0.5 watt (see Note Two)
 R9 = 2,400 ohms, 0.5 watt
 R10 = 2,400 ohms, 0.5 watt
 R11 = 1,000 ohms, 0.5 watt
 R12 = 4,700 ohms, 0.5 watt
 R13 = 6,800 ohms, 0.5 watt
 R14 = Potentiometer, 50,000 ohms, 0.5 watt
 R15 = Potentiometer, 25,000 ohms, 0.5 watt
 R16 = 1,500 ohms, 0.5 watt
 R17 = 56,000 ohms, 0.5 watt
 R18 = 270 ohms, 0.5 watt
 R19 = 10,000 ohms, 0.5 watt
 R20 = 7,500 ohms, 0.5 watt
 R21 = 22 ohms, 0.5 watt
 R22 = 1,800 ohms, 0.5 watt
 R23 = 330 ohms, 0.5 watt
 R24 = Reverse log potentiometer, 100,000 ohms, 0.5 watt
 R25 = Potentiometer, 5,000 ohms, 0.5 watt
 R26 = Linear potentiometer, 5,000 ohms, 0.5 watt
 R27 = 680 ohms, 0.5 watt

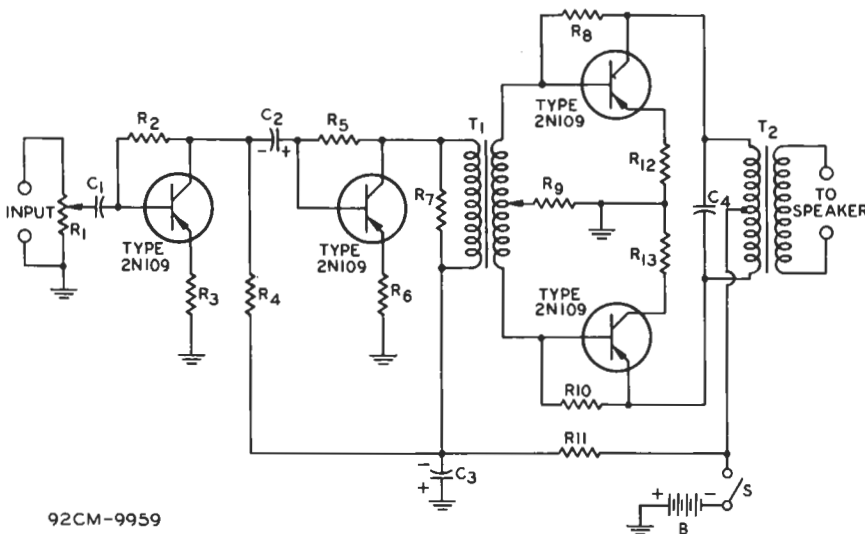
- R28 = 130,000 ohms, 1 watt
 R29 = 15,000 ohms, 1 watt
 R30 = 4,700 ohms, 1 watt
 R31 = 510 ohms, 1 watt
 R32 = 220 ohms, 1 watt
 R33 = 20,000 ohms, 1 watt
 R34 = 5,100 ohms, 1 watt
 R35 = 820 ohms, 1 watt
 R36 = 75 ohms, 1 watt
 R37 = 150 ohms, 1 watt
 R38 = 330 ohms, 1 watt
 R39 = 27,000 ohms, 1 watt
 R40 = 2,000 ohms, 1 watt
 R41 = 2,700 ohms, 1 watt
 R42 = 39 ohms, 1 watt
 R43 = 39,000 ohms, 1 watt
 R44 = 39 ohms, 1 watt
 R45 = 470 ohms, 1 watt
 R46 = Thermistor, 28.25 ohms at 0° C, 10 ohms at 25° C, and 4.06 ohms at 50° C.
 R47 = 2,700 ohms, 1 watt
 R48 = 3,300 ohms, 1 watt
 R49 = 100,000 ohms, 0.5 watt
 S = Switch
 SP = Speaker, voice-coil impedance, 16 ohms

- T1 = Driver transformer, primary impedance, 200 ohms; secondary (center-tapped) impedance, 620 ohms (Columbus Process CPC-3925 or equivalent)
 T2 = Output transformer, primary (center-tapped) impedance, 54 ohms; secondary (center-tapped) impedance, 60 ohms (Columbus Process CPC-3926 or equivalent)
 T3 = Power transformer, 117-volt 60-cycle supply, secondary (center-tapped) voltage, 83.5 volts (Columbus Process CPC-3927 or equivalent)

NOTE ONE: Input is from a variable reluctance cartridge, (dc resistance, 600 ohms; inductance, 520 millihenries).
 NOTE TWO: Values of C5, C6, and R8 have been selected for proper equalization for RIAA recordings.

HIGH-GAIN, LOW-DISTORTION, LOW-DRAIN AUDIO AMPLIFIER

Class B; Output, 250 mw; Power Gain, approx. 90 db
 Input Impedance, approx. 7500 ohms



- R2 = 0.15 megohm, 0.5 watt
 R3 = 10 ohms, 0.5 watt
 R4 = 10000 ohms, 0.5 watt
 R5 = 0.27 megohm, 0.5 watt
 R6 = 10 ohms, 0.5 watt
 R7 = 10000 ohms, 0.5 watt
 R8 = 15000 ohms, 0.5 watt
 R9 = 60 ohms, 0.5 watt
 R10 = 15000 ohms, 0.5 watt
 R11 = 1000 ohms, 0.5 watt
 R12, R13 = 4.7 ohms, 0.5 watt
 T1 = Interstage audio transformer with center-tapped secondary to provide a 25000-ohm load at the primary terminals with a 3000-ohm load between the outer secondary terminals. DC primary current = 1 ma. DC primary resistance = 300 ohms.
 T2 = Output transformer with center-tapped primary to provide a 300-ohm load between the outer primary terminals with the desired speaker connected to the secondary terminals. DC current unbalance between halves of primary = 5 ma. DC primary resistance = 20 ohms per section.
 Battery Current:
 No-signal current = 3.8 ma
 Average current = 18 ma
 Peak current = 50 ma

92CM-9959

B = 12 volts, 9 cells from VS087 battery assembly or 8 VS035 batteries connected in series

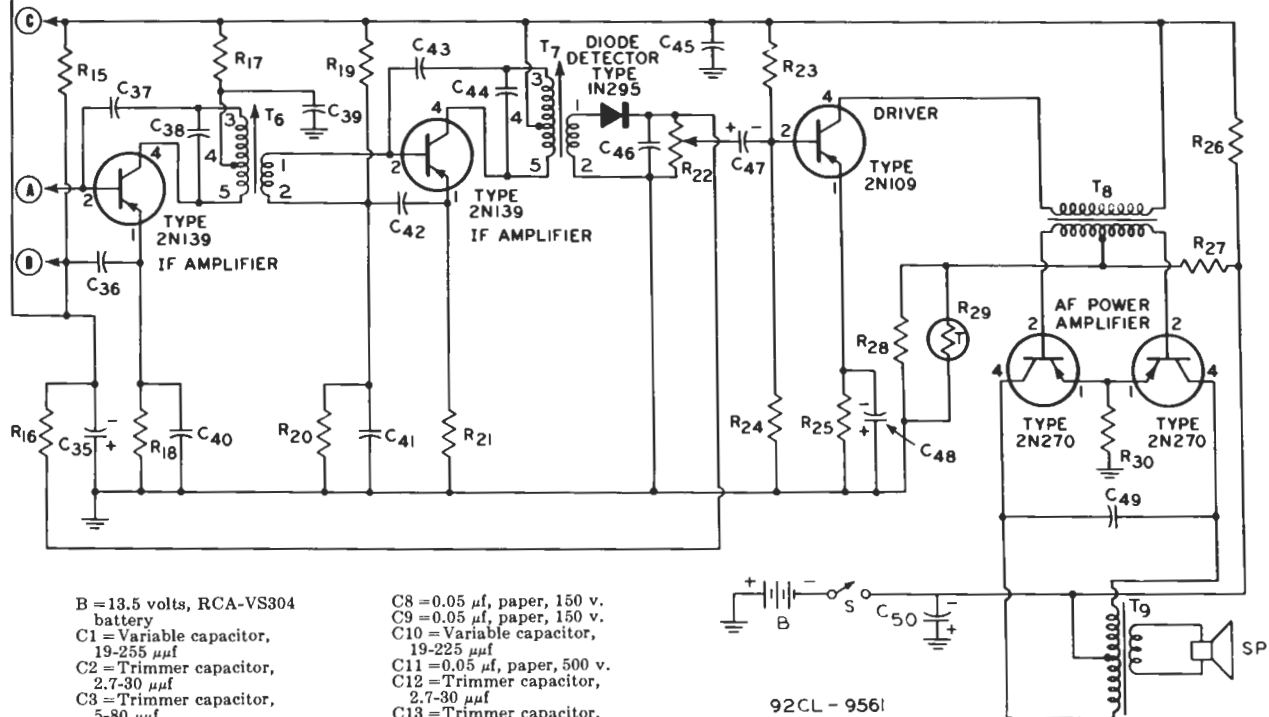
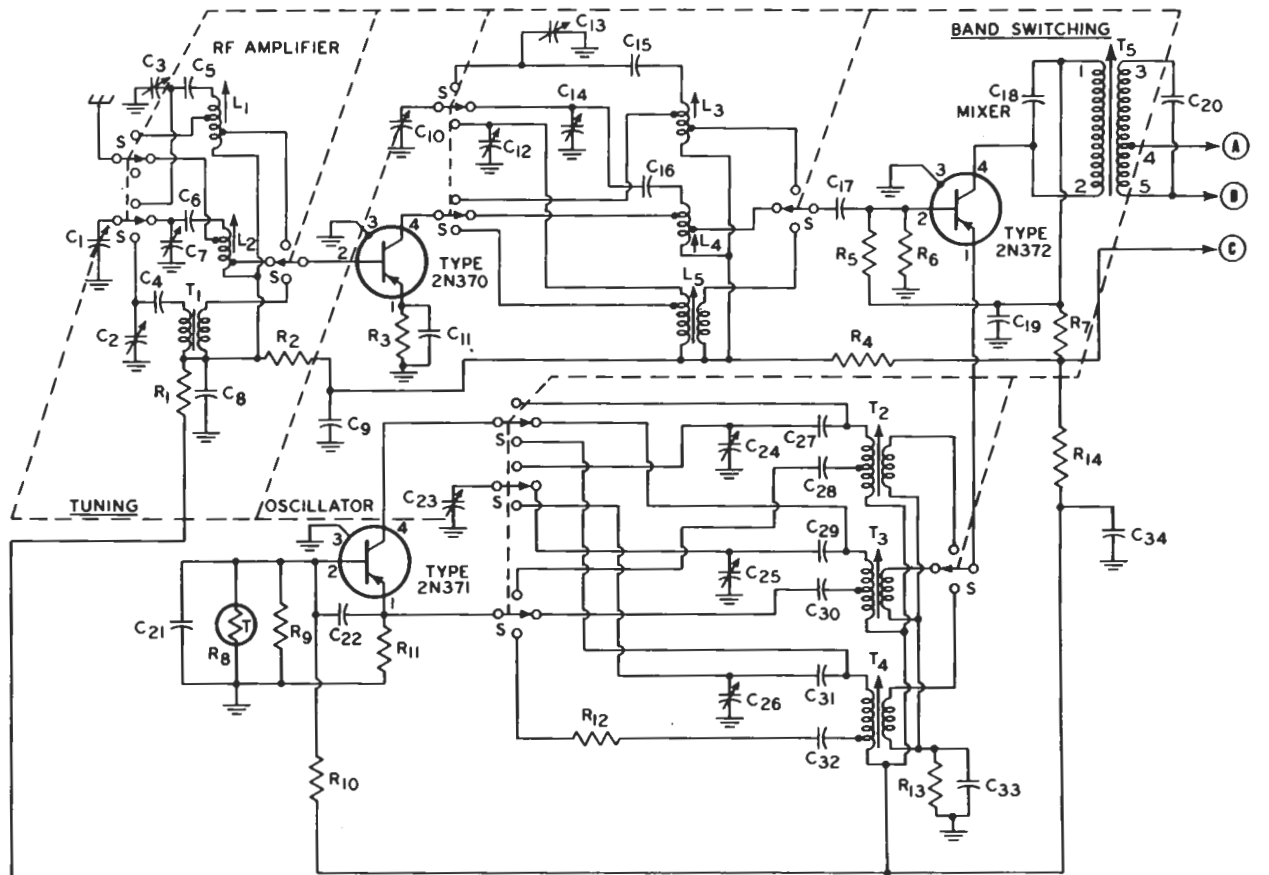
C1 = 1 μ f, paper, 150 v.
 C2 = 2 μ f, electrolytic, 12 v.
 C3 = 100 μ f, electrolytic, 12 v.

C4 = 0.05 μ f, paper, 150 v.
 R1 = Volume-control potentiometer 10000 ohms, 0.5 watt

NOTE: The following transformers or equivalents may be used in the construction of this circuit: T1, Argonne type AR-103; T2, Thordarson type TR-22.

CIRCUITS

EIGHT-TRANSISTOR PORTABLE THREE-BAND RECEIVER



B = 13.5 volts, RCA-VS304 battery
 C1 = Variable capacitor, 19-255 μf
 C2 = Trimmer capacitor, 2.7-30 μf
 C3 = Trimmer capacitor, 5-80 μf
 C4 = 680 μf , mica, 500 v.
 C5 = 220 μf , mica, 500 v.
 C6 = 2,500 μf , mica, 500 v.
 C7 = Trimmer capacitor, 2.7-30 μf

C8 = 0.05 μf , paper, 150 v.
 C9 = 0.05 μf , paper, 150 v.
 C10 = Variable capacitor, 19-225 μf
 C11 = 0.05 μf , paper, 500 v.
 C12 = Trimmer capacitor, 2.7-30 μf
 C13 = Trimmer capacitor, 5-80 μf
 C14 = Trimmer capacitor, 2.7-30 μf
 C15 = 390 μf , mica, 500 v.
 C16 = 2,700 μf , mica, 500 v.

92CL-9561

(Legend continued on next page)

CIRCUITS

LEGEND FOR EIGHT-TRANSISTOR PORTABLE THREE-BAND RECEIVER

(Continued)

C17 = 2,200 μ f, mica, 500 v.
 C18 = 96 μ f, mica, 500 v.
 C19 = 0.05 μ f, paper, 150 v.
 C20 = 100 μ f, mica, 500 v.
 C21 = 0.05 μ f, paper, 150 v.
 C22 = 120 μ f, mica, 500 v.
 C23 = Variable capacitor, 19-255 μ f
 C24 = Trimmer capacitor, 5-80 μ f
 C25 = Trimmer capacitor, 5-80 μ f
 C26 = Trimmer capacitor, 5-80 μ f
 C27 = 0.0068 μ f, ceramic disc, 500 v.
 C28 = 56 μ f, mica, 500 v.
 C29 = 0.0033 μ f, ceramic disc, 500 v.

C30 = 180 μ f, mica, 500 v.
 C31 = 1,500 μ f, mica, 500 v.
 C32 = 430 μ f, mica, 500 v.
 C33 = 0.05 μ f, paper, 150 v.
 C34 = 0.05 μ f, paper, 150 v.
 C35 = 10 μ f, electrolytic, 25 v.
 C36 = 0.05 μ f, paper, 150 v.
 C37 = 3 μ f, mica, 500 v.
 C38 = 290 μ f, mica, 500 v.
 C39 = 0.05 μ f, paper, 150 v.
 C40 = 0.05 μ f, paper, 150 v.
 C41 = 0.05 μ f, paper, 150 v.
 C42 = 0.05 μ f, paper, 150 v.
 C43 = 4 μ f, mica, 500 v.
 C44 = 220 μ f, mica, 500 v.
 C45 = 50 μ f, electrolytic, 25 v.
 C46 = 0.05 μ f, paper, 150 v.
 C47 = 2 μ f, electrolytic, 15 v.
 C48 = 50 μ f, electrolytic, 25 v.

C49 = 0.068 μ f, paper, 150 v.
 C50 = 50 μ f, electrolytic, 25 v.
 R1 = 1,000 ohms, 0.5 watt
 R2 = 39,000 ohms, 0.5 watt
 R3 = 1,000 ohms, 0.5 watt
 R4 = 1,000 ohms, 0.5 watt
 R5 = 82,000 ohms, 0.5 watt
 R6 = 4,700 ohms, 0.5 watt
 R7 = 470 ohms, 0.5 watt
 R8 = Thermistor, 20,000 ohms at 25° C, 6,500 ohms at 50° C
 R9 = 20,000 ohms, 0.5 watt
 R10 = 100,000 ohms, 0.5 watt
 R11 = 560 ohms, 0.5 watt
 R12 = 5,600 ohms, 0.5 watt
 R13 = 1,000 ohms, 0.5 watt
 R14 = 470 ohms, 0.5 watt
 R15 = 100,000 ohms, 0.5 watt
 R16 = 18,000 ohms, 0.5 watt

R17 = 560 ohms, 0.5 watt
 R18 = 820 ohms, 0.5 watt
 R19 = 68,000 ohms, 0.5 watt
 R20 = 5,600 ohms, 0.5 watt
 R21 = 820 ohms, 0.5 watt
 R22 = Potentiometer, volume-control, 2,500 ohms
 R23 = 51,000 ohms, 0.5 watt
 R24 = 8,200 ohms, 0.5 watt
 R25 = 1,000 ohms, 0.5 watt
 R26 = 150 ohms, 0.5 watt
 R27 = 8,200 ohms, 0.5 watt
 R28 = 150 ohms, 0.5 watt
 R29 = Thermistor, 150 ohms at 25° C, 54 ohms at 50° C
 R30 = 5.6 ohms, 1 watt
 S = Switch
 SP = Speaker, 3.2 ohms

455-Kc Intermediate-Frequency Transformer Data

| | T5 | T6 | T7 |
|--|-----------------|-------|--------|
| Primary Tuned Resistance (ohms) | 247,000 | 6,600 | 17,200 |
| Secondary Tuned Resistance (ohms) | 247,000 | — | — |
| Primary Input Resistance (ohms) with secondary terminated | 89,600 | — | — |
| Secondary terminating resistance (ohms) | 1,000 | — | — |
| Input Resistance (ohms) at primary tap with secondary terminated | — | 4,300 | 6,670 |
| Secondary terminating resistance (ohms) | — | 500 | 1,000 |
| Turns Ratios: | | | |
| Terminals 4 and 5 to terminals 1 and 2 | — | 5.02 | 3.30 |
| Terminals 3 and 5 to terminals 4 and 5 | 18.20 | 3.66 | 3.16 |
| Core (Ferrite): | | | |
| Unloaded Q, mounted in chassis | 70 [■] | 55 | 110 |
| Loaded Q, mounted in chassis | 40 [■] | 35 | 35 |

Driver Transformer (T8) Data

| | | |
|--|--|--------|
| For primary and secondary, uncoupled. | | |
| Primary Impedance (ohms) | | 20,000 |
| Secondary Impedance (ohms) from base to base (secondary center-tapped) | | 4,000 |

Class B Output Transformer (T9) Data

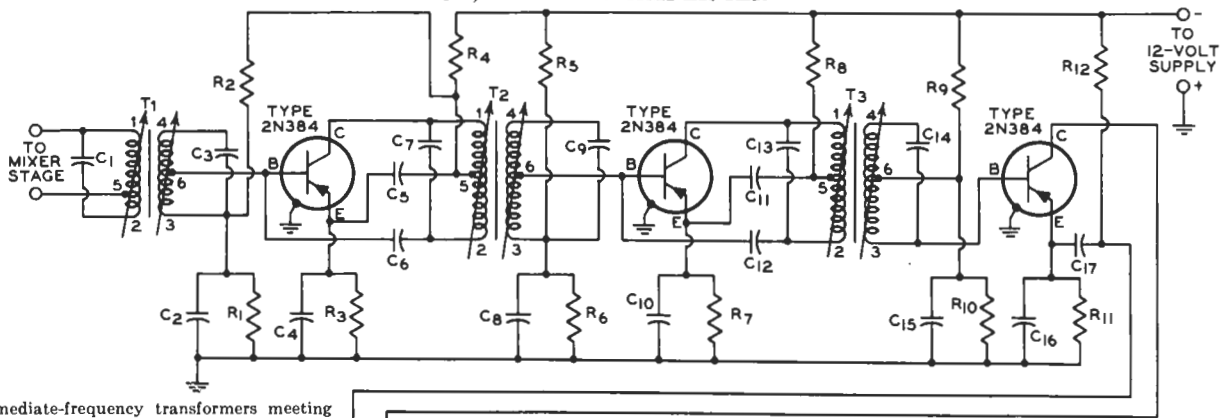
| | |
|--|-----|
| Primary Impedance (ohms) from collector to collector (primary center-tapped) | 400 |
| Secondary Impedance (ohms) | 3.2 |

Radio-Frequency Coil Data

| COIL | ANTENNA | | | INTERSTAGE | | | OSCILLATOR | | |
|-----------------------------------|------------------------|------------------------|-----------------------|------------------------|------------------------|-----------------------|------------------------|------------------------|-----------------------|
| | T1 (540 to 1640 Kc) | L2 (4.5 to 11.5 Mc) | L1 (10.5 to 23 Mc) | L5 (540 to 1640 Kc) | L4 (4.5 to 11.5 Mc) | L3 (10.5 to 23 Mc) | T4 (540 to 1640 Kc) | T3 (4.5 to 11.5 Mc) | T2 (10.5 to 23 Mc) |
| Total primary turns | 127 | 21 | 13 | 225 | 21 | 12 | 120 | 18 | 10 |
| 1st primary tap—turns from bottom | — | 2 | 1 | 13 | 2 | 1 | 12 | 2 | 1 |
| 2nd primary tap—turns from bottom | — | 7 | 4 | — | 6 | 6 | — | — | — |
| Secondary turns | 7 | — | — | 12 | — | — | 2 | 1 | 1 |
| Wire size | 10/38 Litz | #22 | #24 | 7/41 Litz | #22 | #24 | 7/41 Litz | #28 | #28 |
| Coil diameter (inside)—inches | See Note | 3/8 | 3/8 | 1/4 | 3/8 | 3/8 | 1/4 | 1/4 | 1/4 |
| Turns per inch | 24 | 24 | 24 | ▲ | 24 | 24 | ▲ | 60 | 11 |

NOTE: Standard Broadcast Band Antenna Coil (T1) should be wound on an 8" x .33" ferrite rod.
 ▲ Universal.

THREE-STAGE, 10.7-MC IF AMPLIFIER

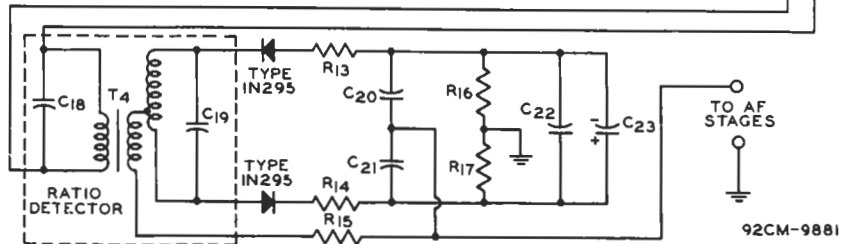


T1, T2, T3 = Intermediate-frequency transformers meeting the following requirements:

| | T1 | T2 | T3 |
|--|--------|--------|-------------|
| Primary Impedance (terminals 1 and 5) | 11,000 | 11,000 | 11,000 ohms |
| Tap Impedance (terminals 3 and 6) | 300 | 300 | 300 ohms |
| Turns Ratios: | | | |
| Terminals 1 and 2 to terminals 5 and 2 | 6.7 | 6.7 | 6.7 |
| Terminals 4 and 3 to terminals 6 and 3 | 28.6 | 28.6 | 42.6 |
| Core (Ferrite), transformer mounted on chassis, primary and secondary are uncoupled: | | | |
| Unloaded Q: | | | |
| Primary | 75 | 75 | 75 |
| Secondary | 75 | 75 | 75 |
| Loaded Q: | | | |
| Primary | 38.6 | 38.6 | 38.6 |
| Secondary | 66 | 66 | 70.4 |
| Coupling, K/Kc = 0.85 (Kc = critical coupling) | | | |

T4 = Ratio-detector transformer.

NOTE ONE: For T1 and T2, Automatic type EX-08028 or equivalent may be used. For T3, Automatic type EX-08029 or equivalent may be used. Transformer packages include tuning capacitors (C1, C3, C7, C9, C13, and C14).



C1 = 31 μ f, mica, 50 v.
 C2 = 0.005 μ f, ceramic, 50 v.
 C3 = 33 μ f, mica, 50 v.
 C4 = 0.005 μ f, ceramic, 50 v.
 C5 = 0.005 μ f, ceramic, 50 v.
 C6 = 5 μ f, ceramic, 50 v.
 C7 = 31 μ f, mica, 50 v.
 C8 = 0.005 μ f, ceramic, 50 v.

C9 = 33 μ f, mica, 50 v.
 C10 = 0.005 μ f, ceramic, 50 v.
 C11 = 0.005 μ f, ceramic, 50 v.
 C12 = 5 μ f, ceramic, 50 v.
 C13 = 31 μ f, mica, 50 v.
 C14 = 33 μ f, mica, 50 v.
 C15 = 0.005 μ f, ceramic, 50 v.
 C16 = 0.005 μ f, ceramic, 50 v.
 C17 = 0.005 μ f, ceramic, 50 v.
 C18 = 31 μ f, mica, 50 v.
 C19 = 56 μ f, mica, 50 v.
 C20 = 330 μ f, mica, 50 v.
 C21 = 330 μ f, mica, 50 v.
 C22 = 0.01 μ f, ceramic, 50 v.
 C23 = 2 μ f, electrolytic, 6 v.
 R1 = 5,600 ohms, 0.5 watt.

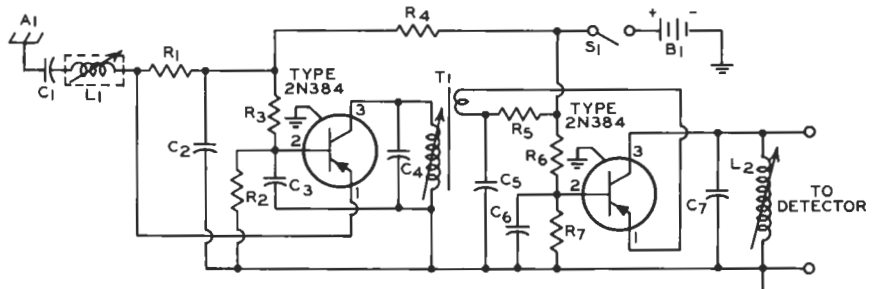
R2 = 33,000 ohms, 0.5 watt
 R3 = 1,000 ohms, 0.5 watt
 R4 = 680 ohms, 0.5 watt
 R5 = 33,000 ohms, 0.5 watt
 R6 = 5,600 ohms, 0.5 watt
 R7 = 1,000 ohms, 0.5 watt
 R8 = 680 ohms, 0.5 watt
 R9 = 33,000 ohms, 0.5 watt
 R10 = 5,600 ohms, 0.5 watt
 R11 = 1,000 ohms, 0.5 watt
 R12 = 680 ohms, 0.5 watt
 R13 = 560 ohms, 0.5 watt
 R14 = 3,300 ohms, 0.5 watt
 R15 = 100 ohms, 0.5 watt
 R16 = 10,000 ohms, 0.5 watt
 R17 = 10,000 ohms, 0.5 watt

CIRCUITS

75-Mc TRF AMPLIFIER

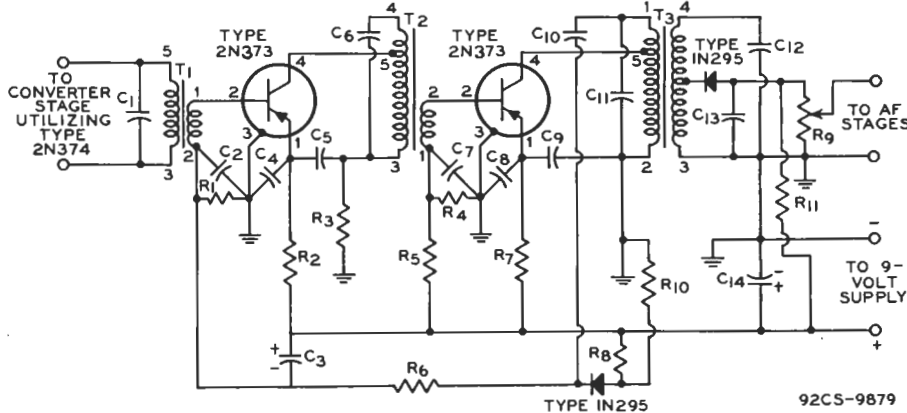
- A1 = Antenna
- B1 = 12 volts
- C1 = 5 μf , mica, 50 v.
- C2 = 0.01 μf , ceramic, 50 v.
- C3 = 0.01 μf , ceramic, 50 v.
- C4 = 15 μf , mica, 50 v.
- C5 = 0.01 μf , ceramic, 50 v.
- C6 = 0.01 μf , ceramic, 50 v.
- C7 = 5 μf , mica, 50 v.
- L1 = 0.5 μh . Using a $\frac{1}{4}$ "-diameter ceramic coil form with a ferrite core, wind 10 turns of #24 enamel wire.
- L2 = 0.5 μh . Using a $\frac{1}{4}$ "-diameter ceramic coil form with a ferrite core, wind 10 turns of #24 enamel wire.

- R1 = 560 ohms, 0.5 watt
- R2 = 5600 ohms, 0.5 watt
- R3 = 560 ohms, 0.5 watt
- R4 = 51 ohms, 0.5 watt
- R5 = 560 ohms, 0.5 watt
- R6 = 560 ohms, 0.5 watt
- R7 = 5600 ohms, 0.5 watt
- S1 = Switch
- T1 = Interstage transformer. Using a $\frac{1}{4}$ "-diameter ceramic coil form with a ferrite core, wind 6 turns of #24 enamel wire for the primary and $\frac{1}{4}$ turn of #24 enamel wire for the secondary.



92CS-9876R1

TWO-STAGE UNNEUTRALIZED 455-Kc IF AMPLIFIER



T1, T2 = Intermediate-frequency transformers meeting the following requirements:

| | T1 | T2 |
|--|---------|------------|
| Tuned resistance at primary tap | — | 780 ohms |
| Primary (terminals 3 and 5): | | |
| Reflected resistance with secondary terminated | 319,000 | 9,940 ohms |
| Secondary (terminals 1 and 2): | | |
| Reflected resistance with secondary terminated | 3,100 | 1,600 ohms |
| Turns Ratios: | | |
| Terminals 4 and 3 to terminals 5 and 3 | — | 3.6 |
| Terminals 5 and 3 to terminals 2 and 1 | 26.2 | 21.2 |
| Core (Ferrite): | | |
| Unloaded Q (mounted in chassis) | 75 | 46 |
| Loaded Q (mounted in chassis) | 32.4 | 39.3 |

T3 = Intermediate-frequency transformer meeting the following requirements:

| | |
|--|-------------|
| Primary Impedance (terminals 1 and 5) | 8,000 ohms |
| Tap Impedance (terminals 3 and 6) | 15,000 ohms |
| Turns Ratios: | |
| Terminals 1 and 2 to terminals 5 and 2 | 3.3 |
| Terminals 4 and 3 to terminals 6 and 3 | 10.7 |

Core (Ferrite), transformer mounted on chassis, primary and secondary are uncoupled:

| | |
|-------------|----|
| Unloaded Q: | |
| Primary | 75 |
| Secondary | 75 |
| Loaded Q: | |
| Primary | 36 |
| Secondary | 33 |

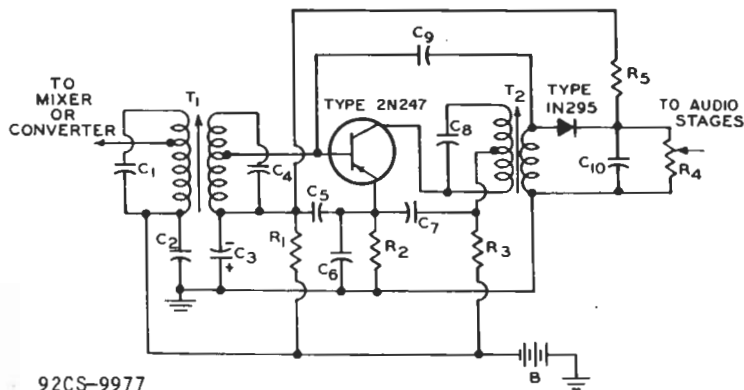
Coupling. Transformer is critically coupled.

NOTE ONE: Two-stage Power Gain = 58 db.

NOTE TWO: For T1, Automatic type EX-08186, Radio Industries type EO-7862 or equivalents may be used. For T2, Automatic type EX-08187, Radio Industries type EO-8248R1 or equivalents may be used. For T3, Automatic type EX-08188, Radio Industries type EO-8243 or equivalents may be used. Transformer packages include tuning capacitors (C1, C6, C11, and C12)

- C1 = 66 μf , mica, 50 v.
- C2 = 0.05 μf , ceramic, 50 v.
- C3 = 25 μf , electrolytic, 15 v.
- C4 = 0.05 μf , ceramic, 50 v.
- C5 = 0.05 μf , ceramic, 50 v.
- C6 = 190 μf , mica, 50 v.
- C7 = 0.05 μf , ceramic, 50 v.
- C8 = 0.05 μf , ceramic, 50 v.
- C9 = 0.05 μf , ceramic, 50 v.
- C10 = 27 μf , ceramic, 50 v.
- C11 = 120 μf , mica, 50 v.
- C12 = 120 μf , mica, 50 v.
- C13 = 0.02 μf , ceramic, 50 v.
- C14 = 25 μf , electrolytic, 15 v.
- R1 = 39,000 ohms, 0.5 watt
- R2 = 1,000 ohms, 0.5 watt
- R3 = 1,000 ohms, 0.5 watt
- R4 = 39,000 ohms, 0.5 watt
- R5 = 47,000 ohms, 0.5 watt
- R6 = 27,000 ohms, 0.5 watt
- R7 = 1,000 ohms, 0.5 watt
- R8 = 100 ohms, 0.5 watt
- R9 = Volume-control potentiometer, 5000 ohms, 0.5 watt
- R10 = 4,700 ohms, 0.5 watt
- R11 = 220,000 ohms, 0.5 watt

ONE-STAGE NEUTRALIZED 455-KC IF AMPLIFIER



92CS-9977

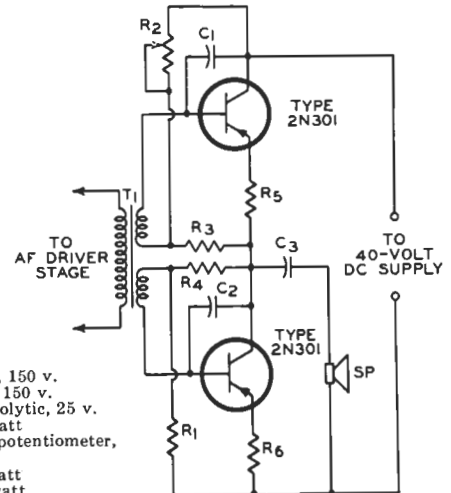
- B = 9 volts, VS300 or VS301
- C1 = 220 μf , mica, 150 v.
- C2 = 0.05 paper, 150 v.
- C3 = 10 μf , electrolytic, 15 v.
- C4 = 220 μf , mica, 150 v.
- C5 = 0.05 μf , paper, 150 v.
- C6 = 0.05 μf , paper, 150 v.
- C7 = 0.05 μf , paper, 150 v.
- C8 = 220 μf , mica, 150 v.
- C9 = 7 μf , mica, 150 v.
- C10 = 0.05 μf , paper, 150 v.
- R1 = 33000 ohms, 0.5 watt
- R2 = 1000 ohms, 0.5 watt
- R3 = 560 ohms, 0.5 watt
- R4 = 5000 ohms, volume control, 1 watt
- R5 = 10000 ohms, 0.5 watt

primary and secondary = 120, loaded Q of primary = 41, tuned resistance of primary = 190,000 ohms, loaded Q of secondary = 50, tuned resistance of secondary = 190,000 ohms, reflected impedance of secondary = 138,000 ohms, impedance of secondary = 1700 ohms, coefficient of coupling = 82%.

T2 = Single-tuned IF transformer, unloaded Q = 120, loaded Q = 45.5, primary impedance = 17,000 ohms, secondary impedance = 1000 ohms, tuned resistance = 1000 ohms.

T1 = Doubled-tuned IF transformer, unloaded Q of pri-

AUDIO POWER AMPLIFIER Class B; Output, 15 Watts

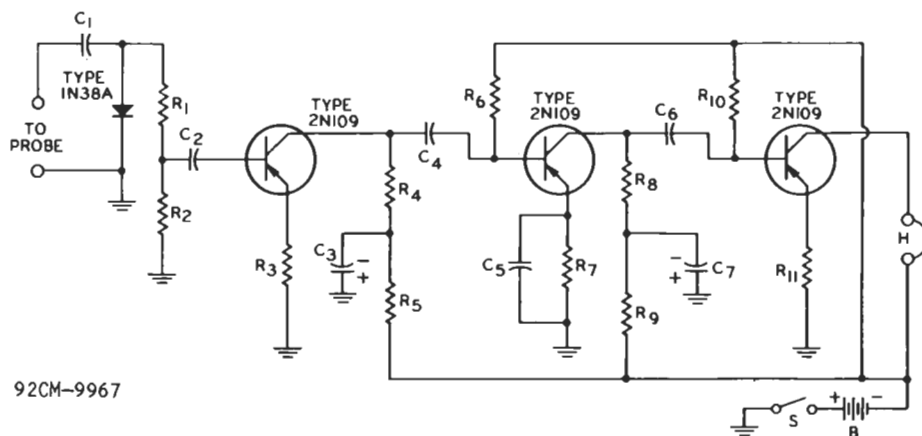


- C1 = 0.01 μf , paper, 150 v.
- C2 = 0.01 μf , paper, 150 v.
- C3 = 1000 μf , electrolytic, 25 v.
- R1 = 2.7 ohms, 1 watt
- R2 = Bias-control potentiometer, 250 ohms, 1 watt
- R3 = 2.7 ohms, 1 watt
- R4 = 220 ohms, 1 watt
- R5 = 1 ohm, 1 watt
- R6 = 1 ohm, 1 watt
- SP = 15-watt, 8-ohm speaker
- T1 = Driver transformer

92CS-9463

CIRCUITS

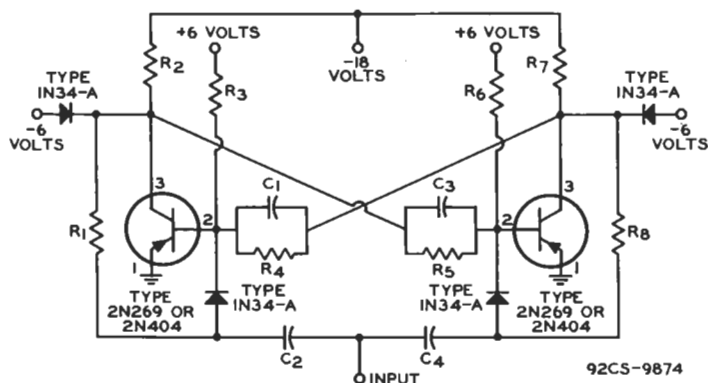
HIGH-GAIN TRANSFORMERLESS SIGNAL-TRACING PROBE



92CM-9967

- B = 6 volts, 4 VS035 batteries connected in series
- C1 = 0.001 μ f, mica, voltage rating as required
- C2 = 0.5 μ f, paper
- C3 = 25 μ f, electrolytic, 6 v.
- C4, C5, C6 = 0.5 μ f, paper
- C7 = 25 μ f, electrolytic, 6 v.
- H = Headphones, 2000-ohm
- R1 = 51000 ohms, 0.5 watt
- R2 = 0.5 megohm, 0.5 watt
- R3 = 5100 ohms, 0.5 watt
- R4 = 0.01 megohm, 0.5 watt
- R5 = 1000 ohms, 0.5 watt
- R6 = 1 megohm, 0.5 watt
- R7 = 1000 ohms, 0.5 watt
- R8 = 0.01 megohm, 0.5 watt
- R9 = 1000 ohms, 0.5 watt
- R10 = 0.7 megohm, 0.5 watt
- R11 = 47 ohms, 0.5 watt

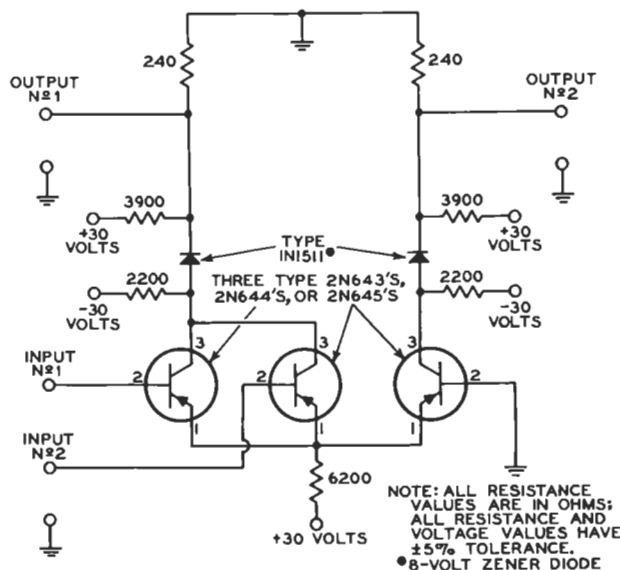
1-Mc COMPLEMENTING FLIP-FLOP CIRCUIT



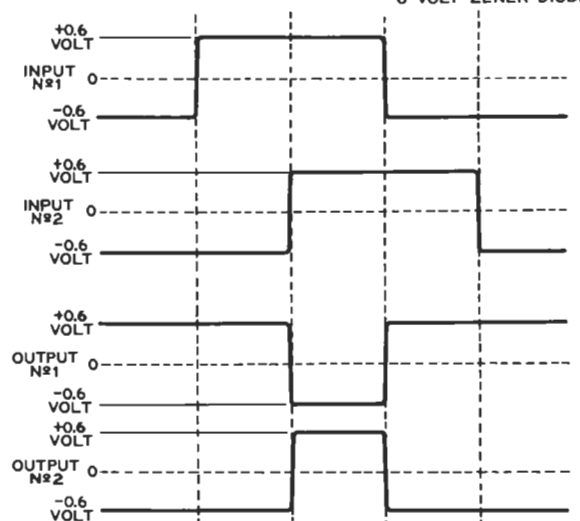
92CS-9874

- C1 = 150 μ f, mica, 50 v.
- C2 = 270 μ f, mica, 50 v.
- C3 = 150 μ f, mica, 50 v.
- C4 = 270 μ f, mica, 50 v.
- R1 = 2,000 ohms, 0.5 watt
- R2 = 1,500 ohms, 0.5 watt
- R3 = 33,000 ohms, 0.5 watt
- R4 = 7,500 ohms, 0.5 watt
- R5 = 7,500 ohms, 0.5 watt
- R6 = 33,000 ohms, 0.5 watt
- R7 = 1,500 ohms, 0.5 watt
- R8 = 2,000 ohms, 0.5 watt

THREE-TRANSISTOR GATE

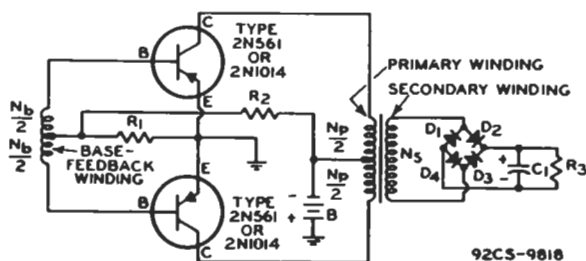


NOTE: ALL RESISTANCE VALUES ARE IN OHMS; ALL RESISTANCE AND VOLTAGE VALUES HAVE $\pm 5\%$ TOLERANCE. \bullet 8-VOLT ZENER DIODE



92CM-9662

DC-to-DC CONVERTER



92CS-9818

- B = DC supply voltage
- C1 = 8 μ f, electrolytic, 500 v.
- D1, D2, D3, D4 = Silicon rectifiers
- Nb = Base winding
- Np = Primary winding
- Ns = Secondary winding
- R1 = 15 ohms, 2 watts
- R2 = 910 ohms, 2 watts
- R3 = Load resistance, 1700 ohms, 150 watts

COILS: All windings are wound on the same core. The center-tapped primary winding consists of 200 turns of #18 enamel copper wire. The secondary winding consists of 1,550 turns of #28 enamel copper wire. The primary and secondary windings are bifilar wound. The center-tapped base winding consists of 40 turns of #32 enamel copper wire. Use Magnetic Metal Company core #18A-4604 (material: 49 Square-Mu Centricore) or equivalent.

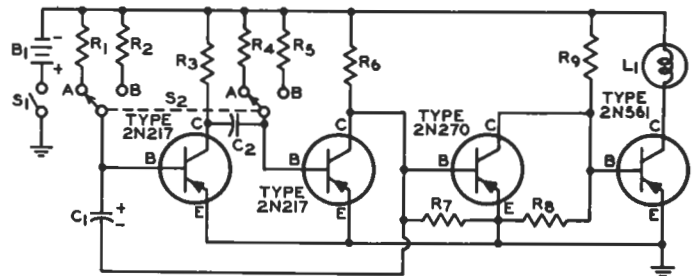
NOTE ONE: DC Supply Voltage = 28 volts, DC Supply Current = 4.2 amperes, DC Output Voltage = 420 volts, DC Output Current = 250 milliamperes.

CIRCUITS

TOWER LIGHT FLASHER

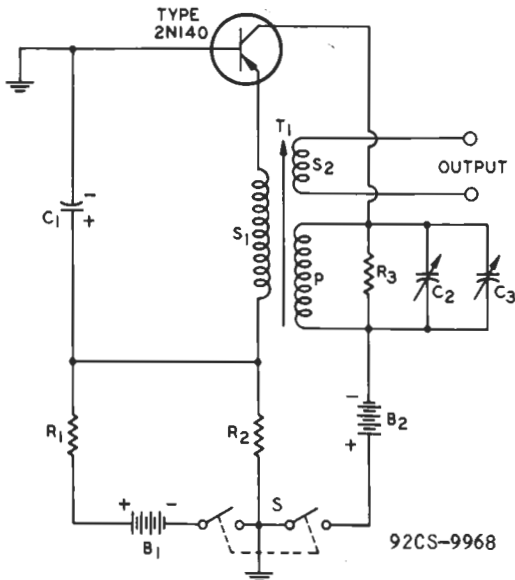
B1 = 12 volts
 C1 = 100 μ f, electrolytic, 25 v.
 C2 = 100 μ f, electrolytic, 25 v.
 L1 = Bulb, 5 amperes or below
 R1 = 0.1 megohm, 0.5 watt
 R2 = 91,000 ohms, 0.5 watt
 R3 = 2,000 ohms, 0.5 watt
 R4 = 47,000 ohms, 0.5 watt
 R5 = 6,000 ohms, 0.5 watt
 R6 = 240 ohms, 0.5 watt
 R7 = 240 ohms, 0.5 watt

R8 = 82 ohms, 0.5 watt
 R9 = 82 ohms, 0.5 watt
 Position A:
 Flashes per minute = 15
 "On" time = 0.4 second
 "Off" time = 3.6 seconds
 Position B:
 Flashes per minute = 30
 "On" time = 0.5 second
 "Off" time = 1.5 seconds



92CS-9873

IF AND BROADCAST-BAND SIGNAL TRACER (0.4-Mc to 1.7-Mc) Self-Quenching Oscillator



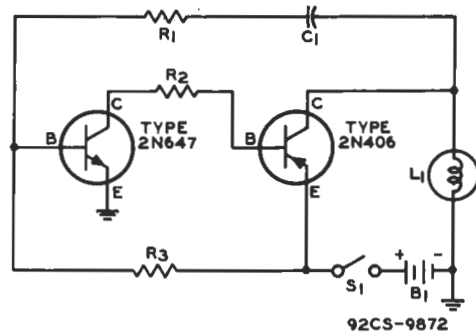
92CS-9968

B1 = 4.5 volts, 3 VS034 batteries connected in series
 B2 = 4.5 volts, 3 VS034 batteries connected in series
 C1 = 0.25 μ f, electrolytic, 6 v.
 C2 = Variable capacitor, 10-335 μ f
 C3 = Trimmer capacitor, 2-20 μ f
 R1 = 47000 ohms, $\frac{1}{8}$ watt
 R2 = 56000 ohms, $\frac{1}{8}$ watt
 R3 = 33000 ohms, $\frac{1}{8}$ watt
 P = Primary winding of T1
 S = Switch
 S1, S2 = secondary windings of T1

T1 = Transformer wound as follows: Using a threaded resinite coil form and a $\frac{1}{2}$ " ferrite core with matching threads, wind 180 turns of #7/41 Litz wire over a length of about $\frac{1}{2}$ ". This winding will have more than one layer and is the primary winding P. The secondary windings, S1 and S2, are wound on top of the primary winding with #34 SSE wire. Winding S1 has 10 turns, and winding S2, 3 turns. A resinite collar with terminals may be fitted over one end of the coil form to provide connections to all the windings.

NOTE: The fundamental frequency of oscillation is about 0.4 to 0.85 megacycles per second. The second harmonic frequencies from 0.8 to 1.7 megacycles per second may be used but will provide a smaller output. The modulation frequency is about 500 cycles per second.

BARRIER LIGHT FLASHER

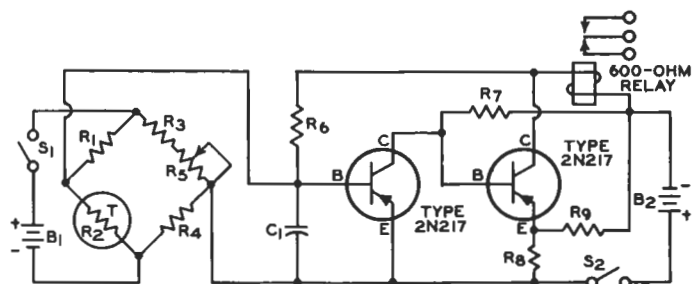


92CS-9872

B1 = 6 volts
 C1 = 3 μ f, paper, 25 v.
 L1 = Bulb, 4 volts, 60 ma
 R1 = 10,000 ohms, 0.5 watt
 R2 = 1,200 ohms, 0.5 watt

R3 = 0.82 megohm, 0.5 watt
 S1 = Switch
 Flashes per minute = 75
 "On" time = 0.2 second
 "Off" time = 0.6 second

THERMOSTAT



92CS-9869

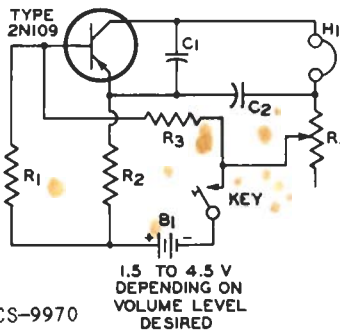
B1 = 16 volts
 B2 = 25 volts
 C1 = 0.5 μ f, paper, 50 v.
 R1 = 1,000 ohms, 0.5 watt
 R2 = Thermistor, 3,000 ohms at 0°C, 300 ohms at 50°C (VECO type 31D3 or equivalent)
 R3 = 270 ohms, 0.5 watt
 R4 = 1,000 ohms, 0.5 watt

R5 = Balancing potentiometer, 2,500 ohms, 0.5 watt
 R6 = 0.1 megohm, 0.5 watt
 R7 = 6,800 ohms, 0.5 watt
 R8 = 68 ohms, 0.5 watt
 R9 = 6,800 ohms, 0.5 watt
 S1, S2 = Switch
 Approximate relay current = 35 ma

CIRCUITS

HEARING AID

CODE-PRACTICE OSCILLATOR



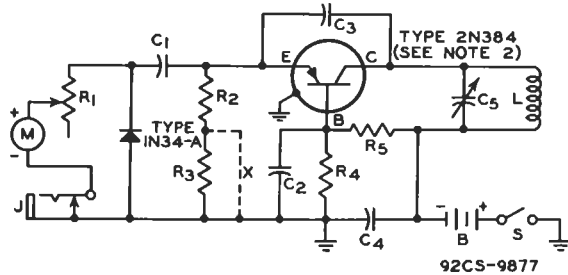
B = VS036 (see note)
 C1, C2 = 0.01 μ f, paper, 150 v.
 H = Headphones, 2000-ohm, magnetic
 R1 = 2200 ohms, 0.5 watt
 R2 = 27000 ohms, 0.5 watt
 R3 = 3000 ohms, 0.5 watt
 R4 = Volume control potentiometer, 50000 ohms, 0.5 watt

NOTE: One to three series-connected RCA-VS036 dry cells may be used, depending upon the volume level desired.

92CS-9970

GRID-DIP METER

For Measuring Resonant Frequencies From 3.5 to 100 Mc.



B = 13.5 volts, VS304
 C1 = 33 μ f, mica, 50 v.
 C2 = 0.01 μ f, paper, 50 v.
 C3 = 5 μ f, mica, 50 v.
 C4 = 0.01 μ f, paper, 50 v.
 C5 = Variable capacitor, 50 μ f (Hammarlund type HF-50 or equivalent)
 J = Phone jack, normally closed
 L = Plug-in coil (see Note One)

M = Microammeter, 0 to 50 μ a (Simpson model 1227 or equivalent)
 R1 = Variable resistor, 0-0.25 megohm, 0.5 watt
 R2 = 220 ohms, 0.5 watt
 R3 = 3,000 ohms, 0.5 watt
 R4 = 3,900 ohms, 0.5 watt
 R5 = 39,000 ohms, 0.5 watt
 X = Jumper, omit for measurements below 45 Mc

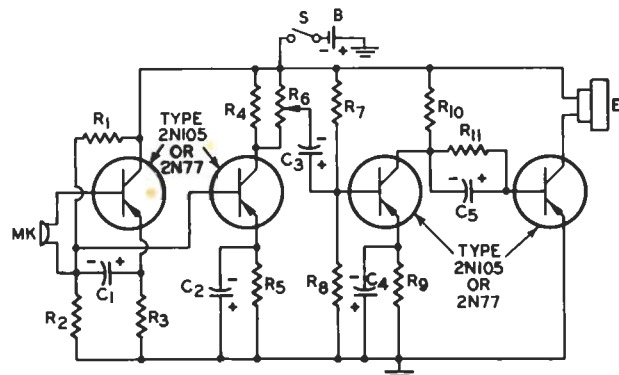
NOTE ONE. Wind coils according to the following directions:

| Coil Freq. Range | Wire Size | No. of Turns |
|------------------|-------------|--|
| 1 3.4-6.9 Mc | #28, enamel | 48 $\frac{1}{4}$, close wound |
| 2 6.7-13.5 Mc | #24, enamel | 22, close wound |
| 3 13-27 Mc | #24, enamel | 9 $\frac{1}{4}$, close wound |
| 4 25-47 Mc | #24, enamel | 4 $\frac{1}{2}$, close wound |
| 5 45-78 Mc | #24, enamel | 1 $\frac{1}{2}$, close wound |
| 6 74-97 Mc | #16, tinned | Hairpin formed, 1 $\frac{1}{8}$ inches long, including pins, and $\frac{1}{4}$ inch wide |

Coil forms are Amphenol type 24-5H or equivalent.

NOTE TWO. Type 2N247 may be used as a substitute for type 2N384 for the frequency range from 3.5 to 50 Mc.

92CS-9877

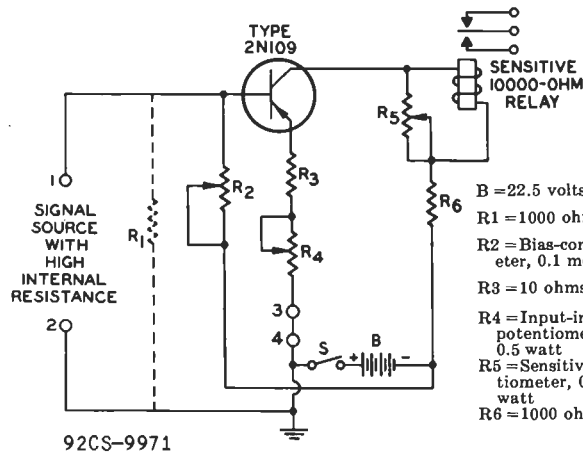


B = 1.5 volts, VS034
 C1 = 4 μ f, electrolytic, 3 v.
 C2 = 10 μ f, electrolytic, 3 v.
 C3 = 4 μ f, electrolytic, 3 v.
 C4 = 10 μ f, electrolytic, 3 v.
 C5 = 1 μ f, electrolytic, 3 v.
 E = Earphone, 2000-ohm
 MK = Microphone, 1000-ohm, magnetic
 R1 = 12000 ohms, $\frac{1}{8}$ watt
 R2 = 6800 ohms, $\frac{1}{8}$ watt

R3, R4, R5 = 1500 ohms, $\frac{1}{8}$ watt
 R6 = Potentiometer, 0.1 megohm, $\frac{1}{8}$ watt, volume-control
 R7 = 15000 ohms, $\frac{1}{8}$ watt
 R8 = 6800 ohms, $\frac{1}{8}$ watt
 R9 = 1200 ohms, $\frac{1}{8}$ watt
 R10 = 1500 ohms, $\frac{1}{8}$ watt
 R11 = 56000 ohms, $\frac{1}{8}$ watt

92CS-9969

SENSITIVE RELAY



B = 22.5 volts, VS084
 R1 = 1000 ohms, 0.5 watt
 R2 = Bias-control potentiometer, 0.1 megohm, 0.5 watt
 R3 = 10 ohms, 0.5 watt
 R4 = Input-impedance-control potentiometer, 1000 ohms, 0.5 watt
 R5 = Sensitivity-control potentiometer, 0.1 megohm, 0.5 watt
 R6 = 1000 ohms, 0.5 watt

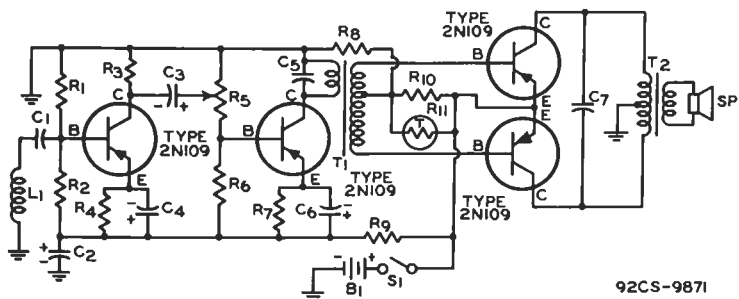
92CS-9971

NOTES: (1) If a signal source with internal resistance is used, omit R1 and connect a jumper between terminals 3 and 4 as shown. Adjust R4 for best performance.

(2) If a signal source with a low internal resistance is used, connect the source between terminals 3 and 4, omitting the jumper. Connect R1 as shown. Adjust R4 to provide a direct connection from R3 to terminal 3.

(3) Relays having a dc coil resistance of less than 10000 ohms may be used, provided the battery voltage is proportionately reduced. In such event, circuit sensitivity will be reduced.

TELEPHONE PICKUP AMPLIFIER



B1 = 9 volts, VS305 or VS306
 C1 = 0.005 μ f, paper, 50 v.
 C2 = 50 μ f, electrolytic, 12 v.
 C3 = 1 μ f, electrolytic, 12 v.
 C4 = 10 μ f, electrolytic, 12 v.
 C5 = 0.01 μ f, paper, 50 v.
 C6 = 10 μ f, electrolytic, 12 v.
 C7 = 0.04 μ f, paper, 50 v.
 L1 = Telephone pickup coil (Argonne type MS-16 or equivalent)

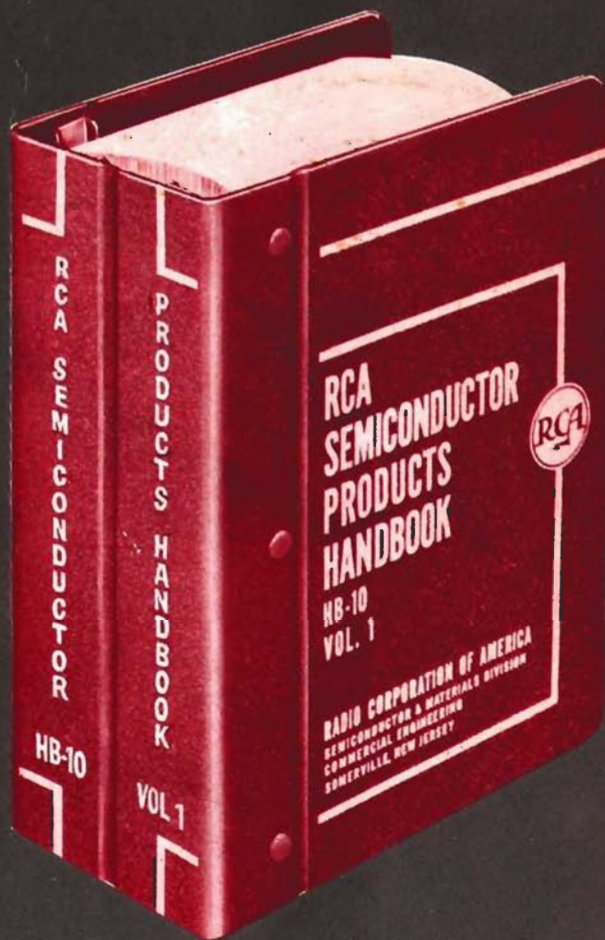
R1 = 0.1 megohm, 0.5 watt
 R2 = 10,000 ohms, 0.5 watt
 R3 = 10,000 ohms, 0.5 watt
 R4 = 1,500 ohms, 0.5 watt
 R5 = Volume control, 0.1 megohm, 0.5 watt
 R6 = 10,000 ohms, 0.5 watt
 R7 = 680 ohms, 0.5 watt
 R8 = 8,200 ohms, 0.5 watt
 R9 = 560 ohms, 0.5 watt
 R10 = 270 ohms, 0.5 watt
 R11 = Thermistor, 300 ohms at 25°C, 108 ohms at 50°C (TCA type L-207B or equivalent)

S1 = Switch
 SP1 = Speaker
 T1 = Interstage audio transformer with a center-tapped secondary to provide a 9000-ohm load at the primary terminals with a 9000-ohm load between the outer secondary terminals (Argonne type AR-103 or equivalent)
 T2 = Output transformer with a center-tapped primary to provide a 750-ohm load at the outer primary terminals with the desired speaker connected to the secondary terminals (Argonne type AR-160 or equivalent)

92CS-9871

RCA SEMICONDUCTOR PRODUCTS HANDBOOK HB-10

Now you can obtain a convenient loose-leaf handbook giving comprehensive data on RCA Semiconductor Devices including Germanium Transistors, Silicon Transistors, and Silicon Rectifiers together with periodic Service Mailings which keep you informed of new types as they are added.



DATA INCLUDE: Intended Uses • Characteristics • Maximum Ratings • Typical Operation • Terminal Connections
Mechanical Dimensions • Commonly Used Curves Plotted to Easily Readable Scales for Solving Design Problems

CONTENTS: Over 400 pages of semiconductor-device data

PRICE (postpaid): RCA Semiconductor Products Handbook

| SUBSCRIPTION FEE (Including service for first year) | | ANNUAL SERVICE FEE (After first year) | |
|--|---------|--|---------|
| DOMESTIC | FOREIGN | DOMESTIC | FOREIGN |
| \$5.00 | \$5.50 | \$2.00 | \$2.50 |

Order through your RCA Distributor
or direct from Commercial Engineering,
RCA, Somerville, New Jersey

